

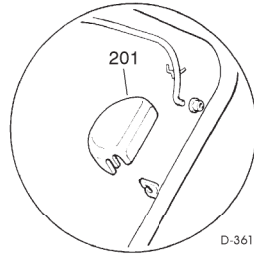
NG 504

CHASSIS
MANICO
COMANDI
DOTAZIONE VITERIE

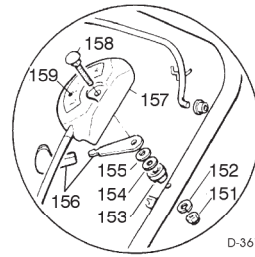
DECK
HANDLE
CONTROLS
SCREWS OUTFITS

CHÂSSIS
MANCHERON
COMMANDES
DOTATION VISSERIE

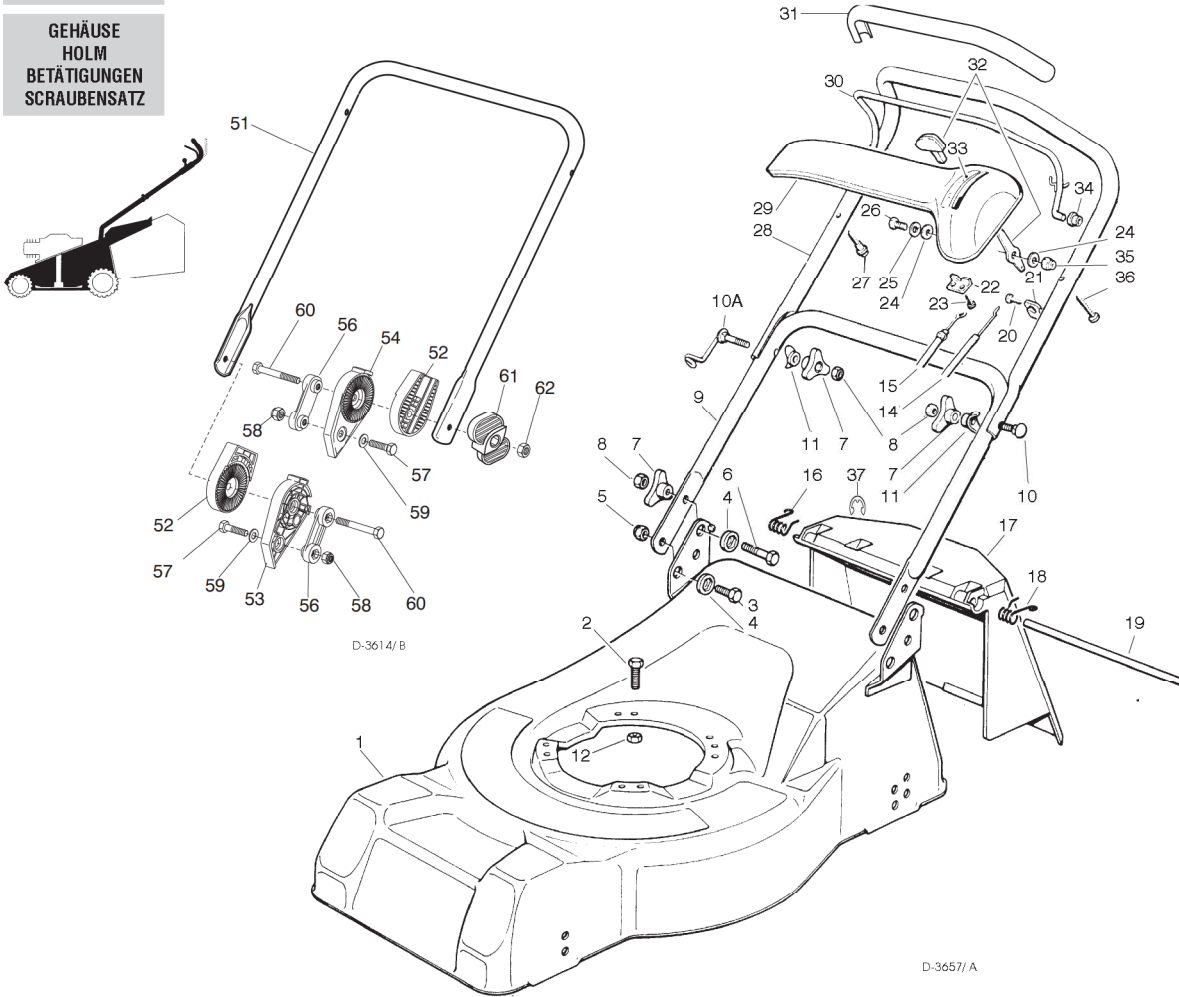
GEHÄUSE
HOLM
BETÄTIGUNGEN
SCRAUBENSATZ



D-3615/E



D-3615/D



SPARE PARTS CATALOGUE

GB

ERSATZTEILKATALOG

D

CATALOGO DELLE PARTI
DI RICAMBIO

I

CATALOGUE DES PIÈCES
DE RECHANGE

F

T-3657/A

Pos. Nr.	Codice Code Kodex	Q.tà Q.ty-Q.tè Menge	Descrizione	Description	Description	Beschreibung
1			CHASSIS	DECK	CHÂSSIS	GEHÄUSE
—	81001605/1	1	ROSSO	RED	ROUGE	ROTES
—	81001606/1	1	GIALLO	YELLOW	JAUNE	GELBES
—	81001607/1	1	VERDE	GREEN	VERT	GRÜNES
2			VITE	SCREW	VIS	SCHRAUBE
—	12793700/0	3/2	(M8x30)	(M8x30)	(M8x30)	(M8x30)
—	12691800/0	0/1	(M8x60)	(M8x60)	(M8x60)	(M8x60)
3	12792610/0	2	VITE	SCREW	VIS	SCHRAUBE
4	22041955/0	4	BUSSOLA	BUSH	DOUILLE	BUCHSE
5	12155000/0	2	DADO	NUT	ECROU	MUTTER
6	12793700/0	2	VITE	SCREW	VIS	SCHRAUBE
7	22399900/0	4	MANOPOLINA	KNOB	POIGNÉE	GRIF
8	12293200/0	4	DADO	NUT	ECROU	MUTTER
9	81006512/0	1	PARTE INF. MANICO	LOWER HANDLE	PARTIE INF. MANCHERON	UNTERHOLM
10	12819201/0	1	VITE	SCREW	VIS	SCHRAUBE
10A	81003801/0	1	MOLLA GUIDA	SPRING	RESSORT	FEDER





Pos. Nr.	Codice Code Kodex	Q.tà Q.ty-Q.tè Menge	Descrizione	Description	Description	Beschreibung
11	22680006/ 1	2	RONDELLA	WASHER	RONDELLE	SCHEIBE
12	12293201/ 0	3/ 2	DADO	NUT	ECROU	MUTTER
—	12155000/ 0	0/ 1	DADO	NUT	ECROU	MUTTER
14	81007160/ 0	1	CAVO ACCELERATORE	THROTTLE CABLE	CABLE ACCELERATEUR	BESCHLEUNIGER KABEL
15	81000629/ 0	1	CAVO FRENO MOTORE (TECUMSEH)	TI RCAD MOTOR BRAKE (TECUMSEH)	CABLE FREIN MOTEUR (TECUMSEH)	MOTORBREMSKABEL (TECUMSEH)
—	81000631/ 0	1	(QUANTUM XM-ES 40)	(QUANTUM XM-ES 40)	(QUANTUM XM-ES 40)	(QUANTUM XM-ES 40)
—	81000625/ 0	1	(SPRINT 375/ QUATTRO)	(SPRINT 375/ QUATTRO)	(SPRINT 375/ QUATTRO)	(SPRINT 375/ QUATTRO)
—	81000640/ 0	1	(HONDA GCV 135/ 160))	(HONDA GCV 135/ 160))	(HONDA GCV 135/ 160))	(HONDA GCV 135/ 160)
16	22450410/ 1	1	MOLLA DX	RIGHT SPRING	RESSORT DROITE	RECHTE FEDER
17	22600028/ 4	1	PARASASSI	STONE-GUARD	PARE-PIERRES	PRALLBLECH
18	22450420/ 1	1	MOLLA SX	LEFT SPRING	RESSORT GAUCHE	LINKE FEDER
19	22517906/ 1	1	PERNO	PIN	PIVOT	BOLZEN
20	12728518/ 0	1	VITE	SCREW	VIS	SCHRAUBE
21	22806612/ 0	1	SUPPORTO	SUPPORT	SUPPORT	HALTER
22	22981467/ 0	1	PIASTRINA	PLAQUE	PLAQUETTE	PLATTE
23	12735105/ 0	2	VITE	SCREW	VIS	SCHRAUBE
24	12523040/ 0	2	RONDELLA	WASHER	RONDELLE	SCHEIBE
25	12530060/ 0	1	RONDELLA ELASTICA	SPRING WASHER	RONDELLE ELASTIQUE	ELASTISCHE SCHEIBE
26	12791500/ 0	1	VITE	SCREW	VIS	SCHRAUBE
27	22943006/ 0	1	VITE	SCREW	VIS	SCHRAUBE
28	81007018/ 0	1	PORTE SUP. MANICO	UPPER HANDLE	PARTIE SUP. MANCHERON	OBERHOLM
29	22120154/ 0	1	CRUSCOTTO	DASH BOARD	CONSOLE	KONSOLE
—	22120152/ 0	1	ROSSO	RED	ROUGE	ROTE
—	22120158/ 0	1	GIALLO	YELLOW	JAUNE	GELBE
—	22120158/ 0	1	NERO	BLACK	NOIRE	SCHWARZE
30	81003291/ 2	1	LEVA FRENO MOTORE	BRAKE LEVER	LEVIER FREIN MOTEUR	MOTORBREMSHEBEL
31	22291050/ 0	1	IMPUGNATURA MANICO	HANDGRIP	POIGNÉE	HANDGRIFF
—	22291051/ 0	1	NERA	BLACK	NOIRE	SCHWARZER
—	22291052/ 0	1	ROSSA	RED	ROUGE	RÖTER
—	22291052/ 0	1	GIALLA	YELLOW	JAUNE	GELBER
32	81007280/ 2	1	ASS. LEVA + MANOPOLINA	LEVER + KNOB ASS. Y	ENS. LEVIER + POIGNÉE	HEBEL + GRIFF SATZ
33	14356743/ 0	1	ETICHETTA (TECUMSEH-HONDA)	LABEL (TECUMSEH-HONDA)	ETIQUETTE (TECUMSEH-HONDA)	ETIKETTE (TECUMSEH-HONDA)
—	14356744/ 0	1	(B&S)	(B&S)	(B&S)	(B&S)
34	22041966/ 0	1	BOCCOLA	BUSH	DOUILLE	BUCHSE
35	12154510/ 0	1	DADO	NUT	ECROU	MUTTER
36	12728460/ 0	1	VITE	SCREW	VIS	SCHRAUBE
37	12000930/ 0	1	ANELLO ELASTICO	SNAP RING	ANNEAU RESSORT	SPRENGRING

—	81008614/ 1	1	DOTAZIONE VITERIA	SCREWS OUTFIT	DOTATION VISSERIE	SCHRAUBEN SATZ
—	81008609/ 0	1	DOTAZIONE CRUSCOTTO	DASH-BOARD OUTFIT	DOTATION CONSOLE	KONSOLE SATZ

T-3615/B

		VARIANTE REGOLAZIONE MANICO	HANDLE ADJUSTMENT VARIANT	VARIANTE REGLAGE POIGNEE	GRIFFEINSTELLVARIANTE	
51	81008510/ 0	1	PARTE INFR. MANICO	LOWER HANDLE	PARTIE INF. MANCHERON	UNTERHOLM
52	22785081/ 0	2	SUPPORTO ESTERNO	EXTERNAL SUPPORT	SUPPORT EXTERNE	AUßERE HALTERUNG
53	22785082/ 0	1	SUPPORTO INTERNO DX	R. INTERNAL SUPPORT	SUPPORT INTERNE DROIT	INNERE HALTERUNG RECHTS
54	22785083/ 1	1	SUPPORTO INTERNO SX	L. INTERNAL SUPPORT	SUPPORT INTERNE GAUCHE	INNERE HALTERUNG LINKS
56	22551575/ 0	2	PIASTRINA INTERNA	INSIDE PLAQUE	PLAQUETTE INTERNE	INNERE PLATTE
57	12793701/ 0	2	VITE	SCREW	VIS	SCHRAUBE
58	12155000/ 0	2	DADO	NUT	ECROU	MUTTER
59	12521350/ 0	2	RONDELLA	WASHER	RONDELLE	SCHEIBE
60	12691810/ 0	2	VITE	SCREW	VIS	SCHRAUBE
61	22399803/ 0	2	MANOPOLINA	KNOB	POIGNÉE	GRIFF
62	12293202/ 0	2	DADO	NUT	ECROU	MUTTER
—	81008623/ 0	1	DOTAZ. VITERIA	SCREWS OUTFIT	DOTATION VISSERIE	SCHRAUBEN SATZ

T-3615/D

		VARIANTE ACCELERATORE	THROTTLE VARIANTS	VARIANTES COMMANDE D'ACCELERATION	ÄNDERUNGEN AUF GASHEBEL	
151	12291000/ 0	1	DADO	NUT	ECROU	MUTTER
152	12581500/ 0	1	GROWER	GROWER	GROWER	FEDERRING
153	22171005/ 0	1	DISTANZIALE	SPACER	ENTRETOISE	DISTANZRING
154	12521360/ 0	1	RONDELLA	WASHER	RONDELLE	SCHEIBE
155	12508100/ 0	1	RONDELLA ELASTICA	SPRING WASHER	RONDELLE ELASTIQUE	ELASTISCHE SCHEIBE
156	81007279/ 1	1	ASS. LEVA+MANOPOLINA	LEVER+KNOB ASS.Y	ENS. LEVIER+POIGNEE	HEBEL+GRIFF SATZ
157	81007080/ 0	1	ASSIEME ACCELERATORE	TROTTLE UNIT ASS.Y	ENS. ACCELERATEUR	BESCHLEUNIGER SATZ
158	12815000/ 0	1	VITE	SCREW	VIS	SCHRAUBE
159	14356702/ 0	1	ETICHETTA (TECUMSEH-HONDA)	LABEL (TECUMSEH-HONDA)	ETIQUETTE (TECUMSEH-HONDA)	ETIKETTE (TECUMSEH-HONDA)
—	14356703/ 0	1	(B&S)	(B&S)	(B&S)	(B&S)

T-3615/E

		VARIANTE REGIME FISSO	FIXED SPEED VARIANTS	VARIANTES POUR MODÈLE À REGIME FIXE	ÄNDERUNGEN FÜR MODELLE MIT FIXIERTER DREHZAHL	
201	22601000/ 0	1	PROTEZIONE	PROTECTION	PROTECTION	SCHUTZ





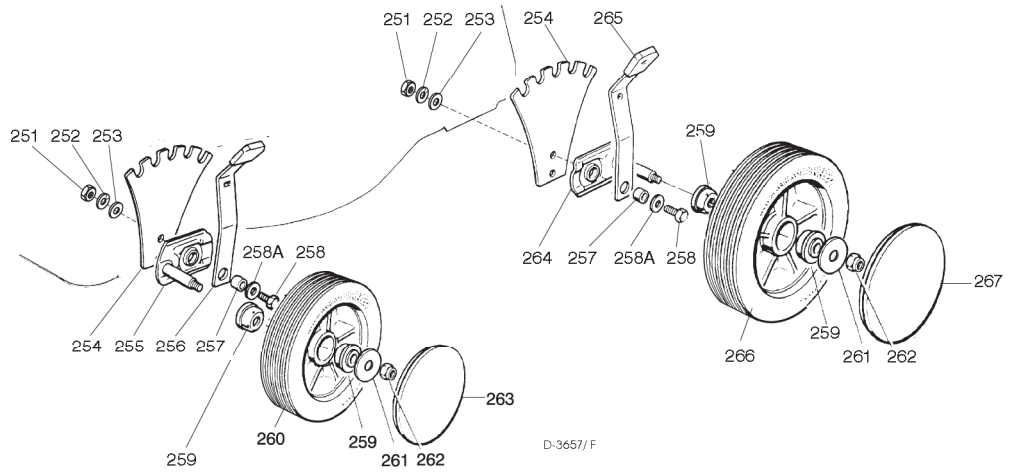
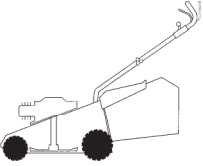
Pos. Nr.	Codice Code Kodex	Q.tà Q.ty-Q.tè Menge	Descrizione	Description	Description	Beschreibung
----------	-------------------	----------------------	-------------	-------------	-------------	--------------

RUOTE E REGOLAZIONE

WHEELS AND HEIGHT ADJUSTING

ROUES ET REGLAGE HAUTER DE COUPE

RÄDER UND SCHNITTHÖHEVERSTELLUNG



D-3657/F

T-3657/F

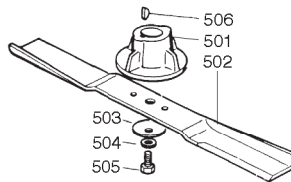
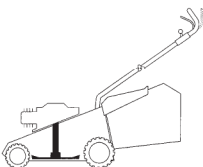
251	12293200/0	4	DADO	NUT	ECROU	MUTTER
252	12583500/0	4	GROWER	GROWER	GROWER	FEDERRING
253	12523070/0	4	RONDELLA	WASHER	RONDELLE	SCHEIBE
254	22735537/0	4	SETTORE REGOLAZIONE	ADJUSTMENT SECTOR	SECTEUR REGLAGE	VERSTELLUNGSEKTOR
255	81005082/0	2	SUPPORTO RUOTA	WHEEL SUPPORT	SUPPORT ROUE	RADHALTER
256	81003273/0	2	LEVA REGOLAZIONE	ADJUSTMENT LEVER	LEVIER REGLAGE	VERSTELLUNGHEBEL
258A	12521350/0	4	RONDELLA	WASHER	RONDELLE	SCHEIBE
257	22171001/0	4	DISTANZIALE	SPACER	ENTRETOISE	DISTANZRING
258	12793701/0	4	VITE	SCREW	VIS	SCHRAUBE
259	22034508/0	8	BOCCOLA	BUSH	DOUILLE	BUCHSE
260	81007326/0	2	RUOTA Ø 170	WHEEL Ø 170	ROUE Ø 170	RAD Ø 170
261	12523060/0	4	RONDELLA	WASHER	RONDELLE	SCHEIBE
262	12155000/0	4	DADO	NUT	ECROU	MUTTER
263			COPRIMOZZO	HUB CAP	COUVRE-MOYEU	RADKAPPE
—	22110262/0	4	BIANCO	WHITE	BLANC	WEIßE
—	22110263/0	4	GIALLO	YELLOW	JAUNE	GELBE
—	22110264/0	4	ROSSO	RED	ROUGE	ROTE
264	81005084/0	2	SUPPORTO RUOTA	WHEEL SUPPORT	SUPPORT ROUE	RADHALTER
265	81003272/0	2	LEVA REGOLAZIONE	ADJUSTMENT LEVER	LEVIER REGLAGE	VERSTELLUNGHEBEL
266	81007328/0	2	RUOTA Ø 210	WHEEL Ø 210	ROUE Ø 210	RAD Ø 210
267			COPRIMOZZO	HUB CAP	COUVRE-MOYEU	RADKAPPE
—	22110652/0	4	BIANCO	WHITE	BLANC	WEIßE
—	2211266/0	4	GIALLO	YELLOW	JAUNE	GELBE
—	22112674/0	4	ROSSO	RED	ROUGE	ROTE

GRUPPO COLTELLO

BLADE ASS.Y

GROUPE LAME

MESSERSATZ



D-3615/M

T-3617/M

501	22463012/1	1	MOZZO	HUB	MOYEU	HALTER
502	81004366/1	1	COLTELLO STANDARD	STANDARD BLADE	LAME STANDARD	STANDARD MESSER
—	81004395/1	1	COLTELLO ALETTATO	WINGED BLADE	LAME AILETTÉE	FLÜGELMESSER
503	22160400/0	1	DISCO ELASTICO	ELASTIC WASHER	RONDELLE ELASTIQUE	ELASTISCHE SCHEIBE
504	12523080/0	1	RONDELLA	WASHER	RONDELLE	SCHEIBE
505	12735698/0	1	VITE	SCREW	VIS	SCHRAUBE
506	12139100/0	1	LINGUETTA	FEATHER	CLAVETTE	KEIL





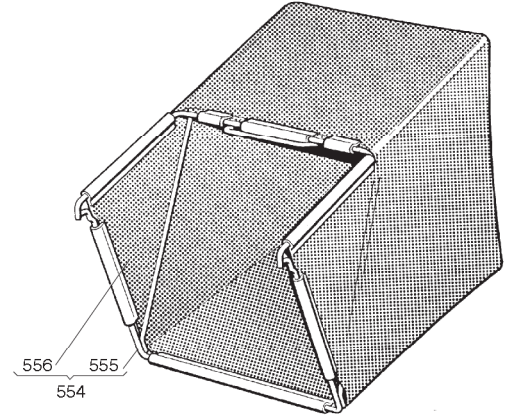
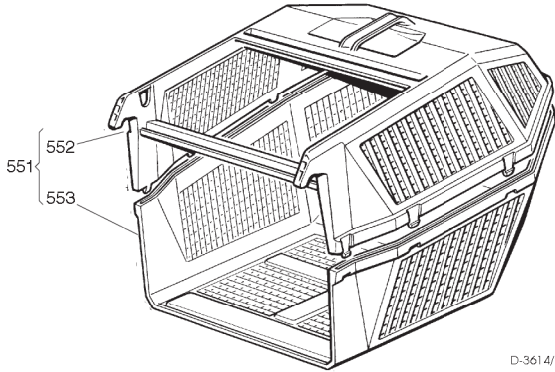
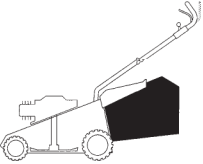
Pos. Nr.	Codice Code Kodex	Q.tà Q.ty-Q.tè Menge	Descrizione	Description	Description	Beschreibung
----------	-------------------	----------------------	-------------	-------------	-------------	--------------

SACCO RACCOGLIERBA

GRASS-CATCHER

BAC DE RAMASSAGE

GRASFANGKORB



T-3614/N	551	98005000/ 1	1	SACCO COMPLETO	COMPLETE GRASS-BOX	SAC COMPLET	KOMPLETTER KORB
	552	22486076/ 0	1	PORTE SUP. SACCO	UPPER GRASS BOX	PARTIE SUP. SAC	OBERKORB
	553	22486077/ 0	1	PORTE INF. SACCO	LOWER GRASS BOX	PARTIE INF. SAC	UNTERKORB
	554	98004000/ 0	1	ASS. SACCO IN TELA	CANVASS GRASSCATCHER	ENSEMBLE SAC EN TOILE	KOMPLETTER SACK
	555	81006408/ 0	1	TELAIO	CHASSIS	CHÂSSIS	RAHMEN.