

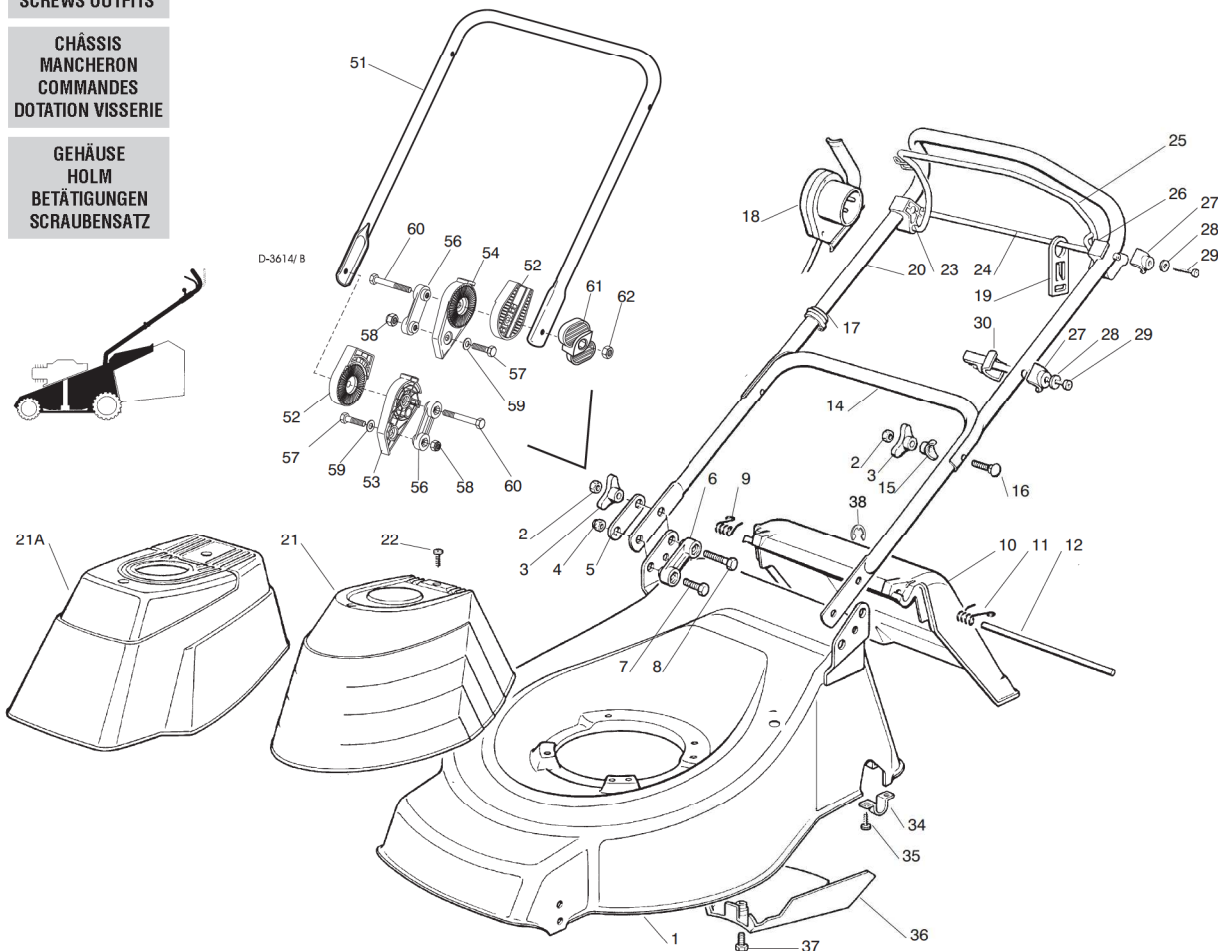
TD 430 TR

CHASSIS
MANICO
COMANDI
DOTAZIONE VITERIE

DECK
HANDLE
CONTROLS
SCREWS OUTFITS

CHÂSSIS
MANCHERON
COMMANDES
DOTATION VISSERIE

GEHÄUSE
HOLM
BETÄTIGUNGEN
SCRAUBENSATZ



D-3670/A

SPARE PARTS CATALOGUE

GB

ERSATZTEILKATALOG

D

CATALOGO DELLE PARTI
DI RICAMBIO

I

CATALOGUE DES PIÈCES
DE RECHANGE

F

T-3670/A

| Pos. Nr. | Codice Code Kodex | Q.tà Q.ty-Q.tè Menge | Descrizione | Description | Description | Beschreibung |
|----------|-------------------|----------------------|------------------------|----------------------|-----------------------|---------------------|
| 1 | | | CHASSIS | DECK | CHÂSSIS | GEHÄUSE |
| — | 81001639/0 | 1 | ROSSO | RED | ROUGE | ROTES |
| — | 81001640/0 | 1 | GIALLO | YELLOW | JAUNE | GELBES |
| — | 81001641/0 | 1 | VERDE | GREEN | VERT | GRÜNES |
| 2 | 12293200/0 | 4 | DADO | NUT | ECROU | MUTTER |
| 3 | 22399900/0 | 4 | MANOPOLINA | KNOB | POIGNÉE | GRIF |
| 4 | 12155000/0 | 2 | DADO | NUT | ECROU | MUTTER |
| 5 | 22551574/0 | 2 | PIASTRINA ESTERNA | OUTSIDE PLAQUE | PLAQUETTE EXTERNE | INNERE PLATTE |
| 6 | 22551575/0 | 2 | PIASTRINA INTERNA | INSIDE PLAQUE | PLAQUETTE INTERNE | INNERE PLATTE |
| 7 | 12793300/0 | 2 | VITE | SCREW | VIS | SCHRAUBE |
| 8 | 12691115/0 | 2 | VITE | SCREW | VIS | SCHRAUBE |
| 9 | 22450410/1 | 1 | MOLLA DESTRA | RIGHT SPRING | RESSORT DROITE | RECHTE FEDER |
| 10 | 22600046/4 | 1 | PARASASSI | STONEGUARD | PAREPIERRES | PRALLBLECH |
| 11 | 22450420/1 | 1 | MOLLA SINISTRA | LEFT SPRING | RESSORT GAUCHE | LINKE FEDER |
| 12 | 22517906/1 | 1 | PERNO | PIN | PIVOT | BOLZEN |
| 14 | 81006512/0 | 1 | PARTE INFERIORE MANICO | LOWER HANDLE | PARTIE INF. MANCHERON | OBERHOLM |
| 15 | 22680006/1 | 2 | RONDELLA | WASHER | RONDELLE | SCHIBE |
| 16 | 12819201/0 | 2 | VITE | SCREW | VIS | SCHRAUBE |
| 17 | 22192000/1 | 2 | FASCETTA ANCORAGGIO | ANCHOR CLAMP | COLLIER ANCRAGE | BOWDENZUGHALTER |
| 18 | 18710603/0 | 1 | SALVAMOTORE M.M. 11A | DEAD HAND SWITCH 11A | INT. MAIN MORTE 11A | TOT MANSCHALTER 11A |
| | | | 602 MS | 602 MS | 602 MS | 602 MS |





| Pos. Nr. | Codice Code Kodex | Q.tà Q.ty-Q.tè Menge | Descrizione | Description | Description | Beschreibung |
|----------|-------------------|----------------------|------------------------|---------------------|-----------------------|------------------|
| 19 | 22195101/ 1 | 1 | FERMACAVO | FAIR LEAD | FIXATION CABLE | KABELBEFESTIGUNG |
| 20 | 81006997/ 0 | 1 | PARTE SUPERIORE MANICO | UPPER HANDLE | PARTIE SUP. MANCHERON | UNTERHOLM |
| 21 | 81002057/ 0 | 1 | CAPOTTINA | COVER | CAPOT | HAUBE |
| 21A | 81002059/ 0 | 1 | CAPOTTINA | COVER | CAPOT | HAUBE |
| 22 | 12728680/ 0 | 2 | VITE | SCREW | VIS | SCHRAUBE |
| 23 | 22806515/ 0 | 1 | SUPPORTO DESTRO | RIGHT FIXED BEARING | SUPPORT DROITE | RECHTER HALTER |
| 24 | 22020320/ 0 | 1 | AGGANCIO FERMACAVO | FAIRLEAD BEARING | SUPPORT SERRECABLE | KABELHALTER |
| 25 | 81001241/ 0 | 1 | LEVA TRAZIONE | DRIVING LEVER | LEVIER TRACTION | ANTRIEBHEBEL |
| 26 | 22806516/ 0 | 1 | SUPPORTO SINISTRO | LEFT FIXED BEARING | SUPPORT GAUCHE | LINKER HALTER |
| 27 | 22680007/ 0 | 3 | RONDELLA | WASCHER | RONDELLE | SCHIBE |
| 28 | 12523040/ 0 | 3 | RONDELLA | WASCHER | RONDELLE | SCHIBE |
| 29 | 12735103/ 0 | 3 | VITE | SCREW | VIS | SCHRAUBE |
| 30 | 22806510/ 0 | 1 | SUPPORTO REGISTRO | ADJUSTER SUPPORT | SUPPORT ECROU REG. | REGLERHALTER |
| 34 | 22545152/ 0 | 2 | PIASTRINA | PLATE | PLAQUETTE | PLATTE |
| 35 | 12788910/ 0 | 4 | VITE | SCREW | VIS | SCHRAUBE |
| 36 | 22060191/ 0 | 1 | CARTER CINGHIA | BELT PROTECTION | PROTECTION CORROIRE | RIEMENSCHUTZ |
| 37 | 12727791/ 0 | 1 | VITE | SCREW | VIS | SCHRAUBE |
| 38 | 12000930/ 0 | 1 | ANELLO ELASTICO | SNAP RING | ANNEAU RESSORT | SPRENGRING |
| — | 81008596/ 1 | | DOTAZIONE VITERIA | SCREWS OUTFIT | DOTATION VISSERIE | SCHRAUBEN SATZ |

| | VARIANTE REGOLAZIONE MANICO | HANDLE ADJUSTMENT VARIANT | VARIANTE REGLAGE POIGNEE | GRIFFEINSTELLVARIANTE | | |
|----|-----------------------------|---------------------------|--------------------------|-----------------------|------------------------|-------------------------|
| 51 | 81006510/ 0 | 1 | PARTE INFR. MANICO | LOWER HANDLE | PARTIE INF. MANCHERON | UNTERHOLM |
| 52 | 22785081/ 0 | 2 | SUPPORTO ESTERNO | EXTERNAL SUPPORT | SUPPORT EXTERNE | AUßERE HALTERUNG |
| 53 | 22785082/ 0 | 1 | SUPPORTO INTERNO DX | R. INTERNAL SUPPORT | SUPPORT INTERNE DROIT | INNERE HALTERUNG RECHTS |
| 54 | 22785083/ 1 | 1 | SUPPORTO INTERNO SX | L. INTERNAL SUPPORT | SUPPORT INTERNE GAUCHE | INNERE HALTERUNG LINKS |
| 56 | 22551575/ 0 | 2 | PIASTRINA INTERNA | INSIDE PLAQUE | PLAQUETTE INTERNE | INNERE PLATTE |
| 57 | 12793701/ 0 | 2 | VITE | SCREW | VIS | SCHRAUBE |
| 58 | 12155000/ 0 | 2 | DADO | NUT | ECROU | MUTTER |
| 59 | 12521350/ 0 | 2 | RONDELLA | WASHER | RONDELLE | SCHIBE |
| 60 | 12691810/ 0 | 2 | VITE | SCREW | VIS | SCHRAUBE |
| 61 | 22399803/ 0 | 2 | MANOPOLINA | KNOB | POIGNÉE | GRIFF |
| 62 | 12293202/ 0 | 2 | DADO | NUT | ECROU | MUTTER |
| — | 81008622/ 0 | 1 | DOTAZ. VITERIA | SCREWS OUTFIT | DOTATION VISSERIE | SCHRAUBEN SATZ |

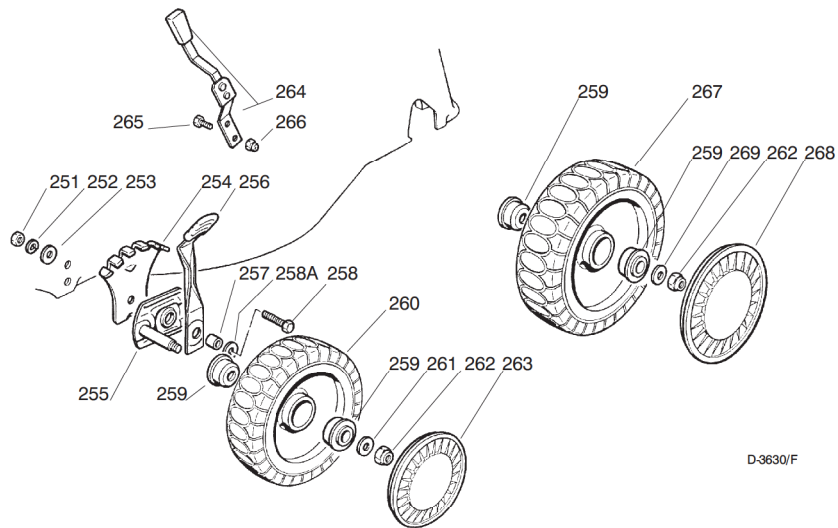
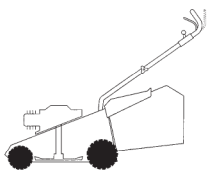
T-3614/ B

RUOTE E REGOLAZIONE

WHEELS AND HEIGHT ADJUSTING

ROUES ET REGLAGE HAUTER DE COUPE

RÄDER UND SCHNITTHÖHEVERSTELLUNG



D-3630/F

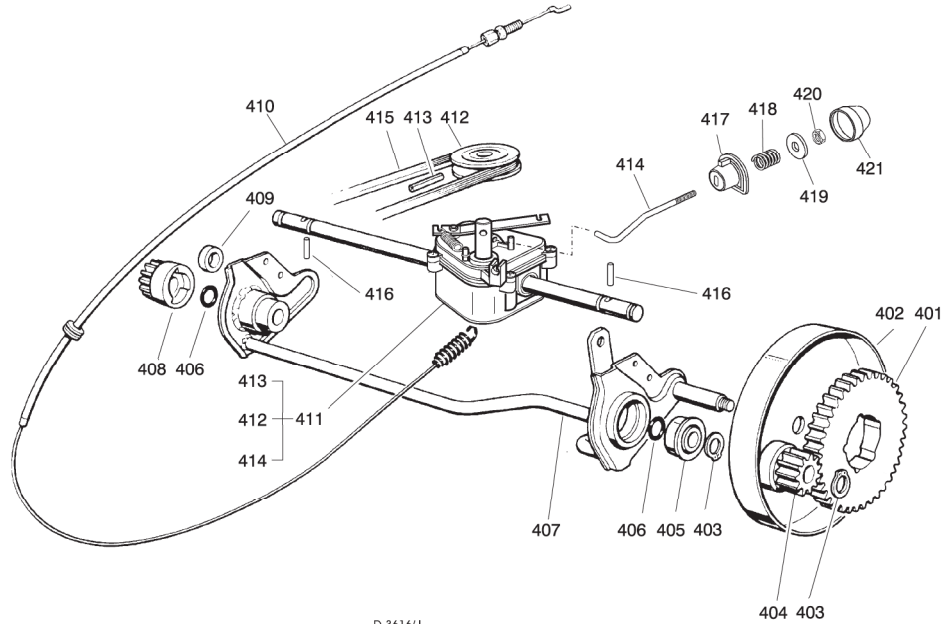
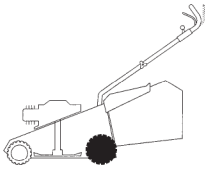
T-3630/ F

| | | | | | | |
|------|-------------|---|----------------------|---------------------|---------------------|-------------------------|
| 251 | 12293200/ 0 | 2 | DADO | NUT | ECROU | MUTTER |
| 252 | 12583500/ 0 | 2 | GROWER | GROWER | GROWER | FEDERRING |
| 253 | 12523070/ 0 | 2 | RONDELLA | WASHER | RONDELLE | SCHIBE |
| 254 | 22735547/ 0 | 2 | SETTORE REGOLAZIONE | ADJUSTMENT SECTOR | SECTEUR REGLAGE | VERSTELLUNGSEKTOR |
| 255 | 81005082/ 0 | 2 | SUPPORTO RUOTA | WHEEL SUPPORT | SUPPORT ROUE | RADHALTER |
| 256 | 81003285/ 0 | 2 | LEVA REGOLAZIONE | ADJUSTMENT LEVER | LEVIER REGLAGE | VERSTELLUNGHEBEL |
| 257 | 22171001/ 0 | 2 | DISTANZIALE | SPACER | ENTRETOISE | DISTANZRING |
| 258 | 12793701/ 0 | 2 | VITE | SCREW | VIS | SCHRAUBE |
| 258A | 12521350/ 0 | 2 | RONDELLA | WASHER | RONDELLE | SCHIBE |
| 259 | 22122200/ 0 | 8 | CUSCINETTO | BEARING | ROULEMENT | KUGELLAGER |
| 260 | 81007317/ 0 | 2 | RUOTA SCOLPITA Ø 170 | KNOBBLY WHEEL Ø 170 | ROUE SCULPTEE Ø 170 | RAD M. STOLLENPR. Ø 170 |
| 261 | 12521350/ 0 | 2 | RONDELLA | WASHER | RONDELLE | SCHIBE |
| 262 | 12155000/ 0 | 4 | DADO | NUT | ECROU | MUTTER |
| 263 | — | — | COPRIMOZZO | HUB CAP | COUVRE-MOYEU | RADKAPPE |
| — | 22110282/ 0 | 2 | BIANCO | WHITE | BLANC | WEIßE |
| — | 22110288/ 0 | 2 | GIALLO | YELLOW | JAUNE | GELBE |
| — | 22110290/ 0 | 2 | ROSSO | RED | ROUGE | ROTE |
| 264 | 81003279/ 2 | 1 | LEVA REGOLAZIONE | ADJUSTMENT LEVER | LEVIER REGLAGE | VERSTELLUNGHEBEL |
| 265 | 12789000/ 0 | 2 | VITE | SCREW | VIS | SCHRAUBE |





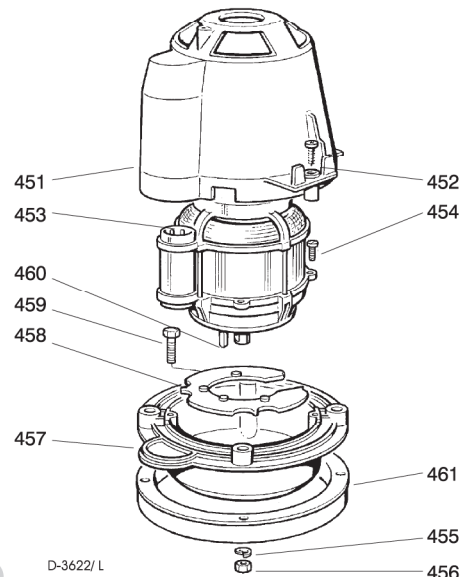
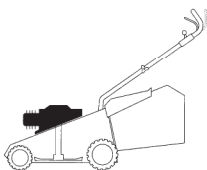
| Pos. Nr. | Codice Code Kodex | Q.tà Q.ty-Q.tè Menge | Descrizione | Description | Description | Beschreibung |
|----------|-------------------|----------------------|----------------------|---------------------|---------------------|-------------------------|
| 266 | 12154330/ 0 | 2 | DADO | NUT | ECROU | MUTTER |
| 267 | 81007318/ 1 | 2 | RUOTA SCOLPITA Ø 210 | KNOBBLY WHEEL Ø 210 | ROUE SCULPTEE Ø 210 | RAD M. STOLLENPR. Ø 210 |
| 268 | | | COPRIMOZZO | HUB CAP | COUVRE-MOYEU | RADKAPPE |
| — | 22110281/ 0 | 2 | BIANCO | WHITE | BLANC | WEIÙE |
| — | 22110287/ 0 | 2 | GIALLO | YELLOW | JAUNE | GELBE |
| — | 22110289/ 0 | 2 | ROSSO | RED | ROUGE | ROTE |
| 269 | 12369500/ 0 | 2 | DISCO ELASTICO | ELASTIC DISK | RONDELLE ELASTIQUE | SCHEIBE |

GRUPPO TRAZIONE**REAR DRIVE****GROUPE TRACTION****ANTRIEB**

D-3616/1

T-3622/1

| | | | | | | |
|-----|-------------|---|-----------------------|------------------|------------------------|------------------------|
| 401 | 22120105/ 1 | 2 | CORONA | RING GEAR | COURONNE | KRANZ |
| 402 | 81006846/ 0 | 2 | PROTEZIONE RUOTE | WHEEL GUARD | PROTECTION ROUE | RÄDERSCHUTZ |
| 403 | 12608600/ 0 | 4 | SEEGER | SEEGER | SEEGER | SEEGER |
| 404 | 22570120/ 0 | 1 | PIGNONE SINISTRO | LEFT PINION | PIGNON GAUCHE | LINKES RITZEL |
| 405 | 22122200/ 0 | 2 | CUSCINETTO | BEARING | COUSSINET | LAGER |
| 406 | 12019900/ 0 | 2 | ANELLO OR | OR RING | BAGUE OR | RING OR |
| 407 | 81001252/ 1 | 1 | ASSE RUOTE POSTERIORE | REAR WHEELS AXLE | AXE ROUES ARRIERE | HINTERRADACHSE |
| 408 | 22570110/ 0 | 1 | PIGNONE DESTRO | RIGHT PINION | PIGNON DROITE | RECHTES RITZEL |
| 409 | 22170800/ 0 | 1 | DISTANZIALE | SPACER | ENTRETOISE | DISTANZRING |
| 410 | 81001143/ 0 | 1 | ASS. COMANDO TRAZIONE | REAR DRIVE ASS.Y | ENS. COMMANDE TRACTION | ANTRIEBKABEL |
| 411 | | | ASS. GRUPPO TRAZIONE | GEAR BOX ASS.Y | ENS. GROUPE TRACTION | ANTRIEBSATZ |
| — | 81003059/ 0 | 1 | (PLASTICA) | (PLASTIC) | (PLASTIQUE) | (KUNSTSTOFF) |
| — | 81003060/ 0 | 1 | (ALLUMINIO) | (ALUMINIUM) | (ALUMINIUM) | (ALUMINIUM) |
| 412 | 22601904/ 0 | 1 | PULEGGIA 4 KM/ H | PULLEY 4 KM/ H | POULIE 4 KM/ H | RIEMENSCHLEIBE 4 KM/ H |
| 413 | 12645705/ 0 | 1 | SPINA | PIN | GOUPILLE | STIFT |
| 414 | 22033280/ 0 | 1 | ASTA REGOLAZIONE | ADJUSTMENT ROD | TIGE REGLAGE | VERSTELLUNGSTANGE |
| 415 | 35063710/ 0 | 1 | CINGHIA Z 25 | BELT Z 25 | COURROIE Z 25 | RIEMEN Z 25 |
| 416 | 22753000/ 0 | 2 | SPINA | PIN | GOUPILLE | STIFT |
| 417 | 22041957/ 0 | 1 | BUSSOLA | BUSH | DOUILLE | BUCHSE |
| 418 | 22450063/ 0 | 1 | MOLLA | SPRING | RESSORT | FEDER |
| 419 | 22680009/ 0 | 1 | RONDELLA | WASHER | RONDELLE | SCHEIBE |
| 420 | 12154510/ 0 | 1 | DADO | NUT | ECROU | MUTTER |
| 421 | 22110230/ 0 | 1 | TAPPO | CAP | BOUCHON | GUMMISTOPFEN |

GRUPPO MOTORE ELETTRICO**MOTOR ASS.Y****MOTEUR ELECTRIQUE****ELEKTROMOTOR**

D-3622/ L





T-3622/ L

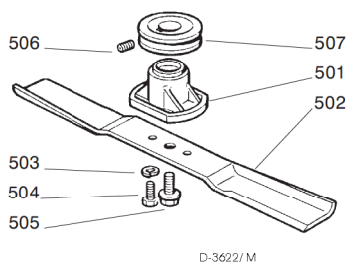
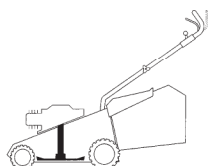
| Pos. Nr. | Codice Code Kodex | Q.tà Q.ty-Q.tè Menge | Descrizione | Description | Description | Beschreibung |
|----------|-------------------|----------------------|---------------------------|--------------------------|---------------------------|--------------------------|
| 451 | 22785061/ 0 | 1 | SUPPORTO CAPOTTINA | COVER SUPPORT | SUPPORT CAPOT | HAUBEHALTER |
| 452 | 12728710/ 0 | 4 | VITE | SCREW | VIS | SCHRAUBE |
| 453 | 18563070/ 1 | 1 | MOTORE IBMEI 1600W (230V) | IBMEI MOTOR 1600W (230V) | MOTEUR IBMEI 1600W (230V) | MOTOR IBMEI 1600W (230V) |
| 453b | 18740049/ 0 | 1 | VENTOLA MOTORE IBMEI | IBMEI MOTOR FAN | VENTILATEUR MOTEUR IBMEI | IBMEI LÜFTER |
| 453c | 18222038/ 0 | 1 | CONDENSATORE 20 µF | CONDENSER 20 µF | CONDENSEUR 20 µF | KONDENSATOR 20 µF |
| 454 | 12735410/ 0 | 4 | VITE | SCREW | VIS | SCHRAUBE |
| 455 | 12583500/ 0 | 4 | GROWER | GROWER | GROWER | FEDERRING |
| 456 | 12293200/ 0 | 4 | DADO | NUT | ECROU | MUTTER |
| 457 | 22207211/ 3 | 1 | FLANGIA | FLANGE | BRIDE | FLANSCH |
| 458 | 22720360/ 1 | 1 | SCHERMO VENTILAZIONE | VENTILATION SCREEN | ECRAN VENTILATION | LÜFTUNGSSCHIRM |
| 459 | 12691800/ 0 | 4 | VITE | SCREW | VIS | SCHRAUBE |
| 460 | 12139440/ 0 | 1 | LINGUETTA | FEATHER | CLAVETTE | KEIL |
| 461 | 81003471/ 0 | 1 | DISTANZIALE | SPACER | ENTRETOISE | DISTANZRING |

GRUPPO COLTELLO

BLADE ASS.Y

GROUPE LAME

MESSERSATZ



D-3622/ M

T-3622/ M

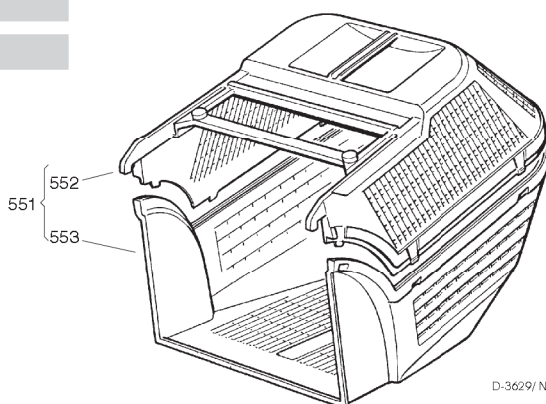
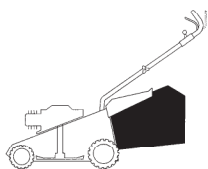
| | | | | | | |
|-----|-------------|---|----------|----------|----------|---------------|
| 501 | 22463186/ 2 | 1 | MOZZO | HUB | MOYEU | NABE |
| 502 | 81004341/ 2 | 1 | COLTELLO | BLADE | LAME | MESSER |
| — | 81004396/ 0 | 1 | STANDARD | STANDARD | STANDARD | STANDARD |
| — | 81004396/ 0 | 1 | ALETTATO | WINGED | AILETTÉE | FLÜGEL |
| 503 | 12583500/ 0 | 2 | GROWER | GROWER | GROWER | FEDERRING |
| 504 | 12793101/ 0 | 2 | VITE | SCREW | VIS | SCHRAUBE |
| 505 | 81004352/ 0 | 1 | VITE | SCREW | VIS | SCHRAUBE |
| 506 | 12713801/ 0 | 1 | GRANO | DOWEL | GRAIN | STIFT |
| 507 | 81000830/ 0 | 1 | PULEGGIA | PULLEY | POUILE | RIEMENSCHIEBE |

SACCO RACCOGLIERBA

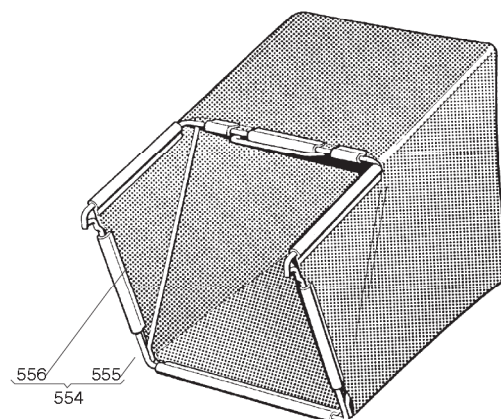
GRASS-CATCHER

BAC DE RAMASSAGE

GRASFANGKORB



D-3629/ N



T-3629/ N

| | | | | | | |
|-----|-------------|---|--------------------|----------------------|-----------------------|-----------------|
| 551 | 94004000/ 1 | 1 | SACCO COMPLETO | COMPLETE GRASS-BOX | SAC COMPLET | KOMPLETTER KORB |
| 552 | 22486073/ 0 | 1 | PARTE SUP. SACCO | UPPER GRASS BOX | PARTIE SUP. SAC | OBERSKORB |
| 553 | 22486074/ 0 | 1 | PARTE INF. SACCO | LOWER GRASS BOX | PARTIE INF. SAC | UNTERS KORB |
| 554 | 94005000/ 0 | 1 | ASS. SACCO IN TELA | CANVASS GRASSCATCHER | ENSEMBLE SAC EN TOILE | KOMPLETTER SACK |
| 555 | 81006418/ 0 | 1 | TELAIO | CHASSIS | CHÂSSIS | RAHMEN |
| 556 | 81002105/ 2 | 1 | TELA SACCO | FABRIC BOX | TOILE POUR SAC | TUCK FÜR SACK |