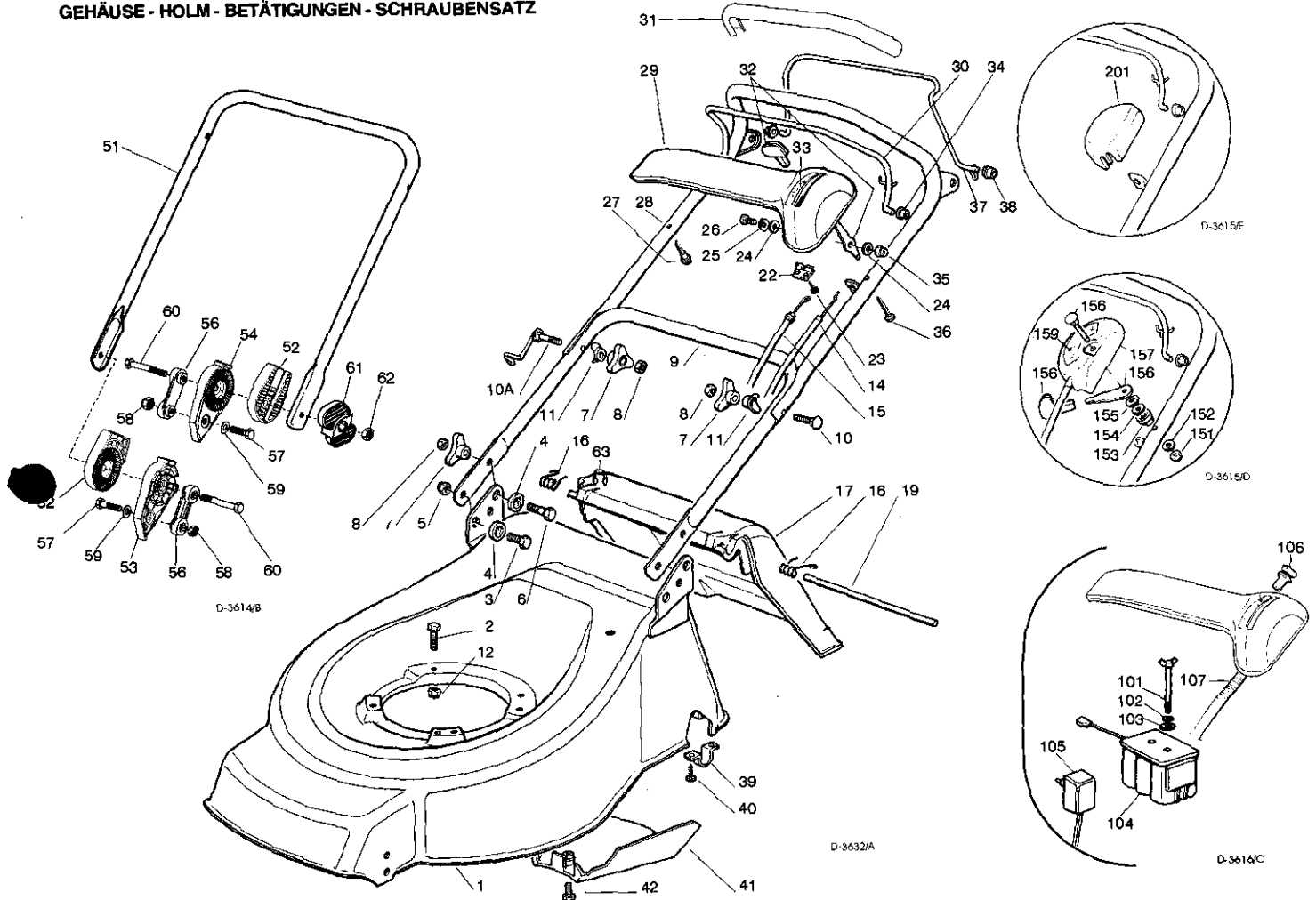


VISTE ESPLOSE VUES ECLATEES  
EXPLODED VIEWS SPRENGZEICHNUNGEN

TD 484 TR - TD 484 TR-E  
TD 534 TR - TD 534 TR-E

CHASSIS - MANICO - COMANDI - DOTAZIONE VITERIE  
DECK - HANDLE - CONTROLS - SCREWS DUFFITS  
CHÂSSIS - MANCHERON - COMMANDES - DOTATION VISSERIE  
GEHÄUSE - HOLM - BETÄTIGUNGEN - SCHRAUBENSATZ

Mod. 1998



T-3632/A

Pos. Nr.	Codice Code Kodex	Descrizione	Description	Description	Beschreibung	Q.tà Q.ty-Q.tè Menge
1	81001642/0	CHASSIS ROSSO TD 484 TR	RED DECK TD 484 TR	CHÂSSIS ROUGE TD 484 TR	ROTES GEHÄUSE TD 484 TR	1
—	81001643/0	CHASSIS GIALLO TD 484 TR	YELLDW DECK TD 484 TR	CHÂSSIS JAUNE TD 484 TR	GELBES GEHÄUSE TD 484 TR	1
—	81001644/0	CHASSIS VERDE TD 484 TR	GREEN DECK TD 484 TR	CHÂSSIS VERT TD 484 TR	GRÜNES GEHÄUSE TD 484 TR	1
—	81001663/0	CHASSIS ROSSO TD 484 TR-E	RED DECK TD 484 TR-E	CHÂSSIS ROUGE TD 484 TR-E	ROTES GEHÄUSE TD 484 TR-E	1
—	81001664/0	CHASSIS GIALLO TD 484 TR-E	YELLDW DECK TD 484 TR-E	CHÂSSIS JAUNE TD 484 TR-E	GELBES GEHÄUSE TD 484 TR-E	1
—	81001665/0	CHASSIS VERDE TD 484 TR-E	GREEN DECK TD 484 TR-E	CHÂSSIS VERT TD 484 TR-E	GRÜNES GEHÄUSE TD 484 TR-E	1
—	81001738/0	CHASSIS RDSSO TD 534 TR	RED DECK TD 534 TR	CHÂSSIS ROUGE TD 534 TR	ROTES GEHÄUSE TD 534 TR	1
—	81001739/0	CHASSIS GIALLO TD 534 TR	YELLOW DECK TD 534 TR	CHÂSSIS JAUNE TD 534 TR	GELBES GEHÄUSE TD 534 TR	1
—	81001740/0	CHASSIS VERDE TD 534 TR	GREEN DECK TD 534 TR	CHÂSSIS VERT TD 534 TR	GRÜNES GEHÄUSE TD 534 TR	1
—	81001741/0	CHASSIS RDSSD TD 534 TR-E	RED DECK TD 534 TR-E	CHÂSSIS ROUGE TD 534 TR-E	ROTES GEHÄUSE TD 534 TR-E	1
—	81001742/0	CHASSIS GIALLO TD 534 TR-E	YELLDW DECK TD 534 TR-E	CHÂSSIS JAUNE TD 534 TR-E	GELBES GEHÄUSE TD 534 TR-E	1
—	81001743/0	CHASSIS VERDE TD 534 TR-E	GREEN DECK TD 534 TR-E	CHÂSSIS VERT TD 534 TR-E	GRÜNES GEHÄUSE TD 534 TR-E	1
2	12793700/0	VITE (M8 x 30)	SCREW (M8 x 30)	VIS (M8 x 30)	SCHRAUBE (M8 x 30)	3/2
—	12691800/0	VITE (M8 x 60)	SCREW (M8 x 60)	VIS (M8 x 60)	SCHRAUBE (M8 x 60)	0/1
3	12792610/0	VITE	SCREW	VIS	SCHRAUBE	2
4	22041955/0	BUSSOLA	BUSH	DOUILLE	BUCHSE	4
5	12155000/0	DADO	NUT	ECROU	MUTTER	2
6	12793700/0	VITE	SCREW	VIS	SCHRAUBE	2
7	22399900/0	MANOPOLINA	KNOB	POIGNÉE	GRIFT	4
8	12293200/0	DADO	NUT	ECROU	MUTTER	4
9	81006512/0	PORTE INFERIORE MANICO	LOWER HANDLE	PARTIE INF. MANCHERON	UNTERHOLM	1
10	12B19201/0	VITE	SCREW	VIS	SCHRAUBE	1
10A	81003801/0	MOLLA GUIDA	SPRING	RESSORT	FEDER	1
11	22680006/1	RONDELLA	WASHER	RONDELLE	SCHEIBE	2
12	12293201/0	DADO	NUT	ECROU	MUTTER	3/2
—	12155000/0	DADO	NUT	ECROU	MUTTER	0/1
14	81007160/0	CAVO ACCELERATORE	THROTTLE CABLE	CABLE ACCELERATEUR	BESCHLEUNIGER KABEL	1
15	81000633/0	CAVO FRENO MOTORE	THREAD MOTOR BRAKE	CABLE FREIN MOTEUR	MOTORBREMSEKABEL	1
—	81000633/0	TD 434 (QUANTUM XM)	TD 434 (QUANTUM XM)	TD 434 (QUANTUM XM)	TD 434 (QUANTUM XM)	1
—	81000623/1	TD 434-484 (TECUMSEH)	TD 434-484 (TECUMSEH)	TD 434-484 (TECUMSEH)	TD 434-484 (TECUMSEH)	1

Pos. Nr.	Codice Code Kodex	Descrizione	Description	Description	Beschreibung	Q.tà Q.ty-Q.tè Menge
—	81000631/0	TD484 (QUANTUM XM-ES 40)	TD 484 (QUANTUM XM-ES 40)	TD 484 (QUANTUM XM-ES 40)	TD 484 (QUANTUM XM-ES 40)	1
—	81000625/0	TD484 (SPRINT 375/QUATTRO)	TD 484 (SPRINT 375/QUATTRO)	TD 484 (SPRINT 375/QUATTRO)	TD 484 (SPRINT 375/QUATTRO)	1
—	81000638/0	TD 484 (HONDA GV 100)	TD 484 (HONDA GV 100)	TD 484 (HONDA GV 100)	TD 484 (HONDA GV 100)	1
—	81000641/0	TD484 (HONDA GCV 135/160)	TD 484 (HONDA GCV 135/160)	TD 484 (HONDA GCV 135/160)	TD 484 (HONDA GCV 135/160)	1
—	81000642/0	TD 534 (QUANTUM XM-ES 40)	TD 534 (QUANTUM XM-ES 40)	TD 534 (QUANTUM XM-ES 40)	TD 534 (QUANTUM XM-ES 40)	1
—	81000643/0	TD 534 (SPRINT 375/QUATTRO)	TD 534 (SPRINT 375/QUATTRO)	TD 534 (SPRINT 375/QUATTRO)	TD 534 (SPRINT 375/QUATTRO)	1
—	81000644/0	TD 534 (TECUMSEH)	TD 534 (TECUMSEH)	TD 534 (TECUMSEH)	TD 534 (TECUMSEH)	1
—	81000640/0	TD 534 (HONDA GCV 135/160)	TD 534 (HONDA GCV 135/160)	TD 534 (HONDA GCV 135/160)	TD 534 (HONDA GCV 135/160)	1
16	22450410/1	MOLLA DESTRA	RIGHT SPRING	RESSORT DROITE	RECHTE FEDER	1
17	22600046/1	PARASASSI	STONE-GUARD	PARE-PIERRES	PRALLBLECH	1
18	22450420/1	MOLLA SINISTRA	LEFT SPRING	RESSORT GAUCHE	LINKE FEDER	1
19	22517906/1	PERNO	PIN	PIVOT	BOLZEN	1
22	22981467/0	PIASTRINA	PLATE	PLAQUETTE	PLATTE	1
23	12735105/0	VITE	SCREW	VIS	SCHRAUBE	2
24	12523040/0	RONDELLA	WASHER	RONDELLE	SCHEIBE	2
25	12530060/0	RONDELLA ELASTICA	SPRING WASHER	RONDELLE ELASTIQUE	FEDERSCHEIBE	1
26	12791500/0	VITE	SCREW	VIS	SCHRAUBE	1
27	22943006/0	VITE	SCREW	VIS	SCHRAUBE	1
28	81007024/0	PARTE SUPERIORE MANICO	UPPER HANDLE	PARTIE SUP. MANCHERON	DBERHOLM	1
29	22120152/0	CRUSCOTTO GIALLO	YELLOW DASH BOARD	CONSOLE JAUNE	GELBE KONSOLE	1
—	22120158/0	CRUSCOTTO NERO	BLACK DASH BOARD	CONSOLE NOIRE	SCHWARZE KONSOLE	1
—	22120154/0	CRUSCOTTO ROSSO	RED DASH BOARD	CONSOLE ROUGE	ROTE KONSOLE	1
30	81003291/2	LEVA FRENO MOTORE	BRAKE LEVER	LEVIER FREIN MOTEUR	MOTORBREMSEHEBEL	1
31	22291050/0	IMPUGNATURA MANICO NERA	BLACK HANDGRIP	POIGNÉE NOIRE	SCHWARZER HANDGRIFF	1
—	22291051/0	IMPUGNATURA MANICO ROSSA	RED HANDGRIP	POIGNÉE ROUGE	RÖTER HANDGRIFF	1
—	22291052/0	IMPUGNATURA MANICO GIALLA	YELLOW HANDGRIP	POIGNÉE JAUNE	GELBER HANDGRIFF	1
32	81007280/2	ASS. LEVA + MANOPOLINA	LEVER+KNOB ASS.Y	ENS. LEVIER+POIGNEE	HEBEL+GRIFF SATZ	1
33	14356743/0	ETICHETTA (Tecumseh Honda)	LABEL (Tecumseh Honda)	ETIQUETTE (Tecumseh Honda)	ETIKETTE (Tecumseh Honda)	1
—	14356744/0	ETICHETTA (B&S)	LABEL (B&S)	ETIQUETTE (B&S)	ETIKETTE (B&S)	1
34	22041966/0	BOCCOLA	BUSH	DOUILLE	BUCHSE	2
35	12154510/0	DADO	NUT	ECROU	MUTTER	1
36	12728460/0	VITE	SCREW	VIS	SCHRAUBE	1
37	81003288/1	LEVA TRAZIONE	DRIVING LEVER	LEVIER TRACTION	ANTRIEBHEBEL	1
38	22041965/0	BOCCOLA	BUSH	DOUILLE	BUCHSE	2
39	22545152/0	PIASTRINA	PLATE	PLAQUETTE	PLATTE	2
40	12731350/0	VITE	SCREW	VIS	SCHRAUBE	4
41	22060192/0	CARTER CINGHIA TD 484 TR-E	BELT PRDTECTION TD 484 TR-E	PROTECTION CORROIRE TD 484 TR-E	TD 484 TRIEMENSCHUTZ TD 484 TR-E	1
—	22060193/0	CARTER CINGHIA TD 534 TR-E	BELT PROTECTION TD 534 TR-E	PROTECTION CORROIRE TD 534 TR-E	TD 534 TRIEMENSCHUTZ TD 534 TR-E	1
42	12727791/0	VITE	SCREW	VIS	SCHRAUBE	1

—	81008614/0	DOTAZIONE VITERIA	SCREWS OUTFIT	DOTATION VISSERIE	SCHRAUBEN SATZ	1
—	81008609/0	DOTAZIONE CRUSCOTTO	DASH-BOARD OUTFIT	DOTATION CONSOLE	KONSOLE SATZ	1

T-3615/B	VARIANTE REGOLAZIONE MANICO	HANDLE ADJUSTMENT VARIANT	VARIANTE REGLAGE POIGNEE	GRIFFEINSTELLVARIANTE		
51	81006510/0	PARTE INFR. MANICO	LDWER HANDLE	PARTIE INF. MANCHERDN	UNTERHOLM	1
52	22785081/0	SUPPORTO ESTERNO	EXTERNAL SUPPORT	SUPPORT EXTERNE	AUGENHALTERUNG	2
53	22785082/0	SUPPORTO INTERNO DX	RH INTERNAL SUPPORT	SUPPORT INTERNE DROIT	INNENHALTERUNG RECHTS	1
54	22785083/0	SUPPORTO INTERNO SX	LH INTERNAL SUPPORT	SUPPORT INTERNE GAUCHE	INNENHALTERUNG LINKS	1
56	22551575/0	PIASTRINA INTERNA	INSIDE PLAQUE	PLAQUETTE INTERNE	ISOLIER PLATTE	2
57	12793701/0	VITE	SCREW	VIS	SCHRAUBE	2
58	12155000/0	DADO	NUT	ECROU	MUTTER	2
59	12521350/0	RONDELLA	WASHER	RONDELLE	SCHEIBE	2
60	12691810/0	VITE	SCREW	VIS	SCHRAUBE	2
61	22399803/0	MANOPOLINA	KNOB	POIGNÉE	GRIFF	2
62	12293202/0	DADO	NUT	ECROU	MUTTER	2
63	12000930/0	ANELLO ELASTICO	SNAP RING	ANNEAU RESSORT	SPRENGRING	1
—	81008623/0	DOTAZ. VITERIA	SCREWS OUTFIT	DOTATION VISSERIE	SCHRAUBEN SATZ	1

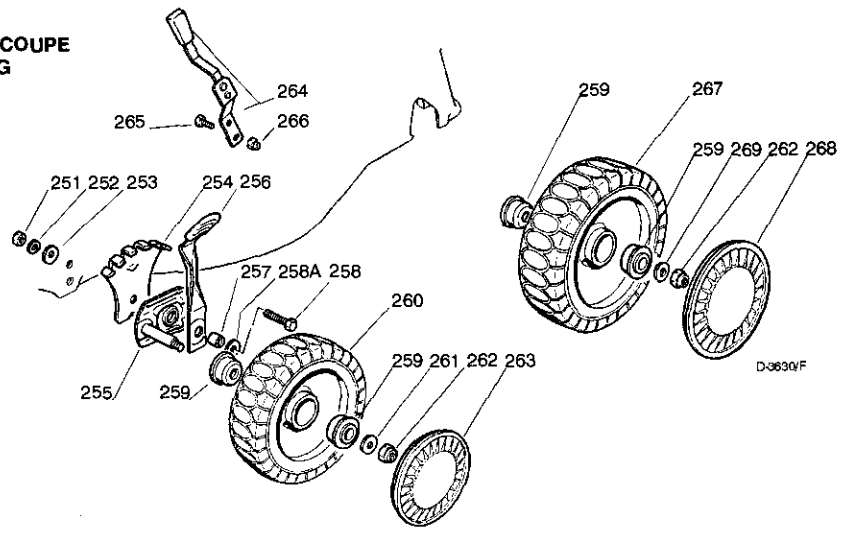
T-3616/C	VARIANTI PER AVVIAMENTO ELETTRICO	PARTS FOR ELECTRIC START	COMPOSANTS POUR DÉMARRAGE ÉLECTRIQUE	ELEKTROSTART BESTANDTEILE		
101	22517855/0	PERNO	PIN	PIVOT	BOLZEN	2
102	12523000/0	RONDELLA	WASHER	RONDELLE	SCHEIBE	2
103	12540020/0	RONDELLA	WASHER	RONDELLE	SCHEIBE	2
104 *	18120050/0	BATTERIA	BATTERY	BATTERIE	BATTERIE	1
105 *	18204110/0	CARICA BATTERIA	BATTERY CHARGER	CHARGEUR DE BATTERIE	LADGERÄT	1
106	18450050/0	INTERRUTTORE	SWITCH	INTERRUPTEUR	SCHALTER	1
107	18204190/2	CAVO AVVIAMENTO	START CABLE	CABLE DÉMARRAGE	STARTKABEL	1

T-3615/D	VARIANTE ACCELERATORE	THROTTLE VARIANTS	VARIANTES COMMANDE D'ACCELERATION	ÄNDERUNGEN AUF GASHEBEL		
151	12291000/0	DADO	NUT	ECROU	MUTTER	1
152	12581500/0	GROWER	GROWER	GROWER	FEDERING	1
153	22171005/0	DISTANZIALE	SPACER	ENTRETOISE	DISTANZRING	1
154	12521360/0	RONDELLA	WASHER	RONDELLE	SCHEIBE	1
155	12508100/0	RONDELLA ELASTICA	SPRING WASHER	RONDELLE ELASTIQUE	ELASTISCHE SCHEIBE	1
156	22319302/0	ASS. LEVA+MANOPOLINA	LEVER+KNOB ASS.Y	ENS. LEVIER+POIGNEE	HEBEL+GRIFF SATZ	1
157	81007080/0	ASSIEME ACCELERATORE	TROTTLE UNIT ASS.Y	ENS. ACCELERATEUR	BESCHLEUNIGER SATZ	1
158	12815000/0	VITE	SCREW	VIS	SCHRAUBE	1
159	14356702/0	ETICHETTA (TECUMSEH-HONDA)	LABEL (TECUMSEH-HONDA)	ETIQUETTE (TECUMSEH-HONDA)	ETIKETTE (TECUMSEH-HONDA)	1
—	14356703/0	ETICHETTA (B&S)	LABEL (B&S)	ETIQUETTE (B&S)	ETIKETTE (B&S)	1

DOVENDO SOSTITUIRE IN GARANZIA LE PARTI CONTRASSEGNAE CON \*- RIVOLGERSI AL COSTRUTTORE DEL MOTORE.  
 IF YOU HAVE TO CHANGE THE PIECES INDICATED WITH \*- ON WARRANTY YOU ADDRESS TO AFTER SALES SERVICE OF ENGINE MANUFACTURER.  
 SI VOUS OEEZ SUBSTITUER LES PIÉCES INDICÉES AVEC \*- SOUS GARANTIE VOUS DEVEZ VOUS ADDRESS AU SERVICE APRÉS VENTES DE LA MAISON CONSTRUCTRICE DU MOTEUR.  
 BITTE WENDEN SIE SICH BEI GARANTIEREPARATUREN DER MIT \*- GEKENNZEICHNETEN TEILE AN DIE KUNDENOFENSTELLE DES MOTORHRESTALLER.

Pos. Nr.	Codice Code Kodex	Descrizione	Description	Description	Beschreibung	Q.tà Q.ty-Q.tè Menge
T-3615E		<b>VARIANTE REGIME FISSO</b>	<b>R.P.M. VARIANTS</b>	<b>VARIANTES POUR MODÈLE À RÉGIME FIXE</b>	<b>ÄNDERUNGEN FÜR MODELLE MIT FIXIERTER DREHZAHL</b>	
201	22601000/0	PROTEZIONE	PROTECTION	PROTECTION	SCHUTZ	

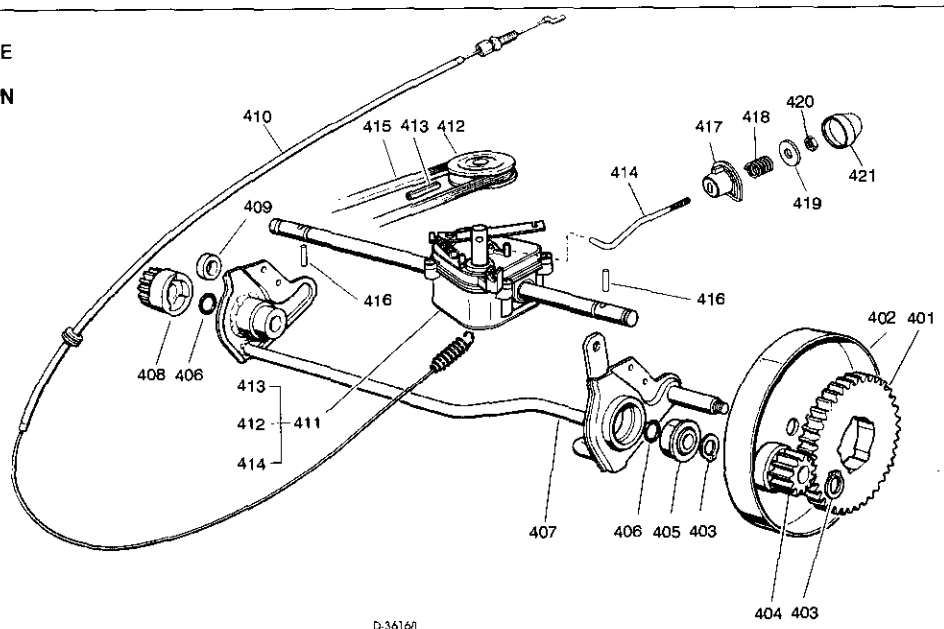
**RUOTE E REGOLAZIONE  
WHEELS AND HEIGHT ADJUSTING  
ROUES ET REGLAGE HAUTEUR DE COUPE  
RÄDER UND SCHNITTVERSTELLUNG**



T-3630F

251	12293200/0	DADO	NUT	ECROU	MUTTER	2
252	12583500/0	GROWER	GROWER	GROWER	FEDERRING	2
253	12523070/0	RONDELLA	WASHER	RONDELLE	SCHEIBE	2
254	22735547/0	SETTORE REGOLAZIONE	ADJUSTMENT SECTOR	SECTEUR REGLAGE	VERSTELLUNGSEKTOR	2
255	81005082/0	SUPPORTO RUOTA	WHEEL SUPPORT	SUPPORT ROUE	RADHALTER	2
256	81003285/0	LEVA REGOLAZIONE	ADJUSTMENT LEVER	LEVIER REGLAGE	VERSTELLUNGHEBEL	2
257	22171001/0	DISTANZIALE	SPACER	ENTRETOISE	DISTANZRING	2
258	12793701/0	VITE	SCREW	VIS	SCHRAUDE	2
258A	12521350/0	RONDELLA	WASHER	RONDELLE	SCHEIBE	2
259	22122200/0	CUSCINETTO	BEARING	ROULEMENT	KUGELLAGER	8
260	81007317/0	RUOTA SCOLPITA Ø 170	KNOBBLY WHEEL Ø 170	ROUE SCULPTEE Ø 170	RAD M. STOLLENPR. Ø 170	2
261	12521350/0	RONDELLA	WASHER	RONDELLE	SCHEIBE	2
262	12155000/0	DADO	NUT	ECROU	MUTTER	4
263	22110282/0	COPRIMOZZO BIANCO	WHITE HUB CAP	COUVRE-MOYEU BLANC	WEIÙE RADKAPPE	2
-	22110288/0	COPRIMOZZO GIALLO	YELLOW HUB CAP	COUVRE-MOYEU JAUNE	GELBE RADKAPPE	2
-	22110290/0	COPRIMOZZO ROSSO	RED HUB CAP	COUVRE-MOYEU ROUGE	ROTE RADKAPPE	2
264	81003279/2	LEVA REGOLAZIONE	ADJUSTMENT LEVER	LEVIER REGLAGE	VERSTELLUNGHEBEL	1
265	12789000/0	VITE	SCREW	VIS	SCHRAUBE	2
266	12154330/0	DADO	NUT	ECROU	MUTTER	2
267	81007318/1	RUOTA SCOLPITA Ø 210	KNOBBLY WHEEL Ø 210	ROUE SCULPTEE Ø 210	RAD M. STOLLENPR. Ø 210	2
268	22110281/0	COPRIMOZZO BIANCO	WHITE HUB CAP	COUVRE-MOYEU BLANC	WEIÙE RADKAPPE	2
-	22110287/0	COPRIMOZZO GIALLO	YELLOW HUB CAP	COUVRE-MOYEU JAUNE	GELBE RADKAPPE	2
-	22110289/0	COPRIMOZZO ROSSO	RED HUB CAP	COUVRE-MOYEU ROUGE	ROTE RADKAPPE	2
269	12369500/0	DISCO ELASTICO				2

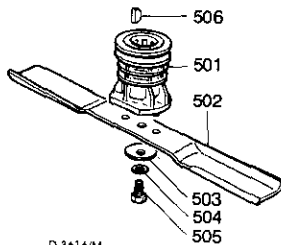
**GRUPPO TRAZIONE  
REAR DRIVE  
GROUPE TRACTION  
ANTRIEB**



D-36160

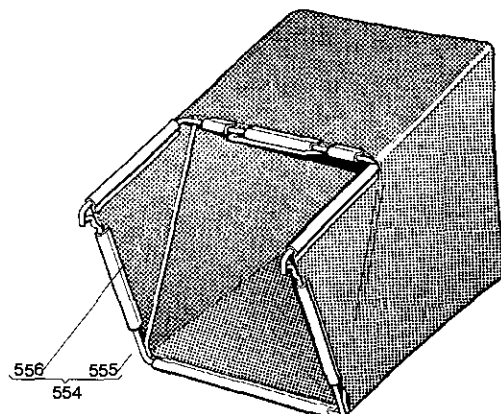
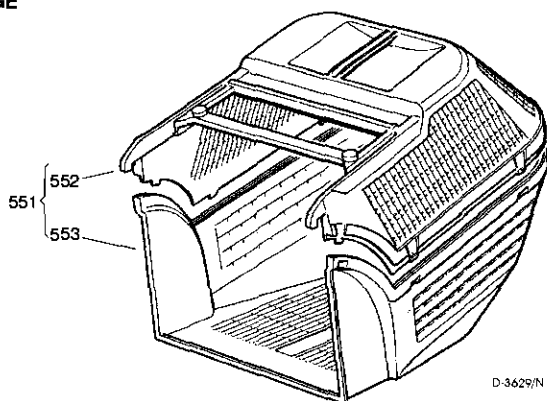
Pos. Nr.	Codice Code Kodex	Descrizione	Description	Description	Beschreibung	Q.tà Q.ty-Q.tè Menge	
T-3632/1	401	22120105/1	CORONA	RING GEAR	COURONNE	KRANZ	2
	402	81006846/0	PROTEZIONE RUOTE	WHEEL GUARD	PROTECTION ROUE	RÄDERSCHUTZ	2
	403	12608600/0	SEEGER	SEEGER	SEEGER	SEEGER	4
	404	22570120/0	PIGNONE SINISTRO	LEFT PINION	PIGNON GAUCHE	LINKES RITZEL	1
	405	22122200/0	CUSCINETTO				2
	406	12019900/0	ANELLO OR	OR RING	BAGUE OR	RING OR	2
	407	81001252/1	ASSE RUOTE POSTERIORE	REAR WHEELS AXLE	AXE ROUES ARRIERE	HINTERRADACHSE	1
	408	22570110/0	PIGNONE DESTRO	RIGHT PINION	PIGNON DROITE	RECHTES RITZEL	1
	409	22170800/0	DISTANZIALE	SPACER	ENTRETOISE	DISTANZRING	1
	410	81001143/0	ASS. COMANDO TRAZIONE	REAR DRIVE ASS.Y	ENS. COMMANDE TRACTION	ANTRIEBKABEL	1
	411	81003059/0	ASS. GRUPPO TRAZIONE (PLASTICA)	GEAR BOX ASS.Y (PLASTIC)	ENS. GROUPE TRACTION (PLASTIQUE)	ANTRIEBSATZ (KUNSTSTOFF)	1
	—	81003060/0	ASS. GRUPPO TRAZIONE (ALLUMINIO)	GEAR BOX ASS.Y (ALUMINIUM)	ENS. GROUPE TRACTION (ALUMINIUM)	ANTRIEBSATZ (ALUMINIUM)	1
	412	22601904/0	PULEGGIA 4 KM/H	PULLEY 4 KM/H	POULIE 4 KM/H	RIEMENSCHLEIBE 4 KM/H	1
	413	12645705/0	SPINA	PIN	GOUPILLE	STIFT	1
	414	22033280/0	ASTA REGOLAZIONE	ADJUSTMENT ROD	TIGE REGLAGE	VERSTELLUNGSTANGE	1
	415	35063800/0	CINGHIA Z 27 (TD 484 TR-E)	BELT Z 27 (TD 484 TR-E)	COURROIE Z 27 (TD 484 TR-E)	RIEMEN Z 27 (TD 484 TR-E)	1
	—	35063902/0	CINGHIA Z 29.5 (TD 584 TR-E)	BELT Z 29.5 (TD 584 TR-E)	CDURROIE Z 29.5 (TD 584 TR-E)	RIEMEN Z 29.5 (TD 584 TR-E)	1
	416	22753000/0	SPINA	PIN	GOUPILLE	STIFT	2
	417	22041957/0	BUSSOLA	BUSH	DOUILLE	BUCHSE	1
	418	22450063/0	MOLLA	SPRING	RESSORT	FEDER	1
	419	22680009/0	RONDELLA	WASHER	RONDELLE	SCHEIBE	1
	420	12154510/0	DADO	NUT	ECROU	MUTTER	1
	421	22110230/0	TAPPO	CAP	BOUCHON	GUMMISTOPFEN	1

**GRUPPO COLTELLO  
BLADE ASS.Y  
GROUPE LAME  
MESSERSATZ**



T-3624/M	501	22465607/0	MOZZO CON PULEGGIA	HUB WITH PULLEY	MOYEU AVEC POULIE	NABE MIT SCHEIBE	1
	502	81004346/2	COLTELLO STANDARD 46 cm	STANDARD BLADE 46 cm	LAME STANDARD 46 cm	STANDARD MESSER 46 cm	1
	—	81004397/0	COLTELLO ALETTATO 46 cm	WINGED BLADE 46 cm	LAME AILETTÉE 46 cm	FLÜGELMESSER 46 cm	1
	—	81004381/0	COLTELLO STANDARD 51 cm	STANDARD BLADE 51 cm	LAME STANDARD 51 cm	STANDARD MESSER 51 cm	1
	—	81004398/0	COLTELLO ALETTATO 51 cm	WINGED BLADE 51 cm	LAME AILETTÉE 51 cm	FLÜGELMESSER 51 cm	1
	503	22160400/0	RONDELLA ELASTICA	SPRING WASHER	RONDELLE ELASTIQUE	ELASTISCHE SCHEIBE	1
	504	12523080/0	RONDELLA	WASHER	RONDELLE	SCHEIBE	1
	505	12735698/0	VITE	SCREW	VIS	SCHRAUBE	1
	506	12139100/0	LINGUETTA	FEATHER	CLAVETTE	KEIL	1

**SACCO RACCOGLIERBA  
GRASS-CATCHER  
BAC DE RAMASSAGE  
GRASFANGKORB**



	551	94004000/0	SACCO COMPLETO	COMPLETE GRASS-BOX	BAC COMPLET	KOMPLETTER KORB	1
	552	22486073/0	PORTE SUPERIORE SACCO	UPPER GRASS-BOX	PARTIE SUPERIEURE SAC	OBERKORB	1
	553	22486074/0	PORTE INFERIORE SACCO	LOWER GRASS-BOX	PARTIE INFERIEURE SAC	UNTERKORB	1
	554	94005000/0	ASSIEME SACCO TELA	CANVASS GRASSCATCHER ASS.Y	ENSEMBLE SAC EN TOILE	KOMPLETTER SACK	1
	555	81006418/0	TELAIO	CHASSIS	CHÂSSIS	RAHMEN	1
	556	81002105/2	TELA SACCO	FABRIC BOX	TOILE POUR SAC	TUCK FÜR SACK	1