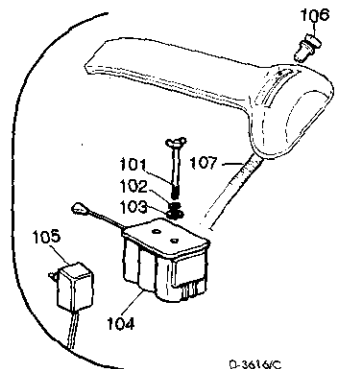
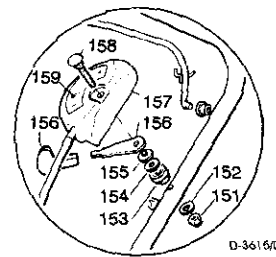
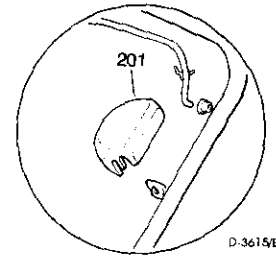
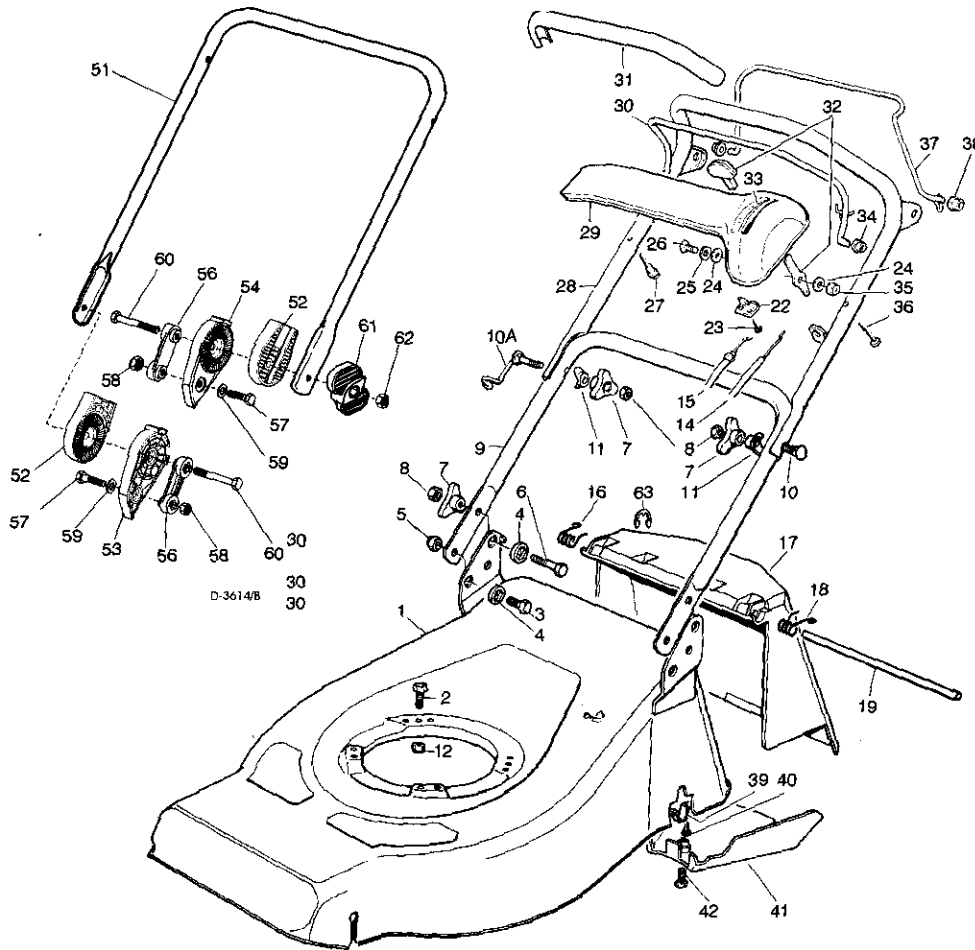


# VISTE ESPLOSE VUES ECLATEES EXPLODED VIEWS SPRENGZEICHNUNGEN

## RL 484 TR - RL 484 TR-E RL 534 TR - RL 534 TR-E

Mod. 1998

CHASSIS - MANICO - COMANDI - DOTAZIONE VITERIE  
DECK - HANDLE - CONTROLS - SCREWS OUTFITS  
CHÂSSIS - MANCHERON - COMMANDES - DOTATION VISSERIE  
GEHÄUSE - HOLM - BETÄTIGUNGEN - SCHRAUBENSATZ



T-3628/A

D-3628/A

Pos. Nr.	Codice Kodex Code	Descrizione	Description	Description	Beschreibung	Q.tà Q.ty Q.té Menge
1	61001636/0	CHASSIS ROSSO RL 484 TR	RED DECK RL 484 TR	CHÂSSIS ROUGE RL 484 TR	ROTES GEHÄUSE RL 484 TR	1
—	81001637/0	CHASSIS GIALLO RL 484 TR	YELLOW DECK RL 484 TR	CHÂSSIS JAUNE RL 484 TR	GELBES GEHÄUSE RL 484 TR	1
—	81001638/0	CHASSIS VERDE RL 484 TR	GREEN DECK RL 484 TR	CHÂSSIS VERT RL 484 TR	GRÜNES GEHÄUSE RL 484 TR	1
—	81001660/0	CHASSIS ROSSO RL 484 TR-E	RED DECK RL 484 TR-E	CHÂSSIS ROUGE RL 484 TR-E	ROTES GEHÄUSE RL 484 TR-E	1
—	81001661/0	CHASSIS GIALLO RL 484 TR-E	YELLOW DECK RL 484 TR-E	CHÂSSIS JAUNE RL 484 TR-E	GELBES GEHÄUSE RL 484 TR-E	1
—	81001662/0	CHASSIS VERDE RL 484 TR-E	GREEN DECK RL 484 TR-E	CHÂSSIS VERT RL 484 TR-E	GRÜNES GEHÄUSE RL 484 TR-E	1
—	81001729/0	CHASSIS ROSSO RL 534 TR	RED DECK RL 534 TR	CHÂSSIS ROUGE RL 534 TR	ROTES GEHÄUSE RL 534 TR	1
—	81001730/0	CHASSIS GIALLO RL 534 TR	YELLOW DECK RL 534 TR	CHÂSSIS JAUNE RL 534 TR	GELBES GEHÄUSE RL 534 TR	1
—	81001731/0	CHASSIS VERDE RL 534 TR	GREEN DECK RL 534 TR	CHÂSSIS VERT RL 534 TR	GRÜNES GEHÄUSE RL 534 TR	1
—	81001732/0	CHASSIS ROSSO RL 534 TR-E	RED DECK RL 534 TR-E	CHÂSSIS ROUGE RL 534 TR-E	ROTES GEHÄUSE RL 534 TR-E	1
—	81001733/0	CHASSIS GIALLO RL 534 TR-E	YELLOW DECK RL 534 TR-E	CHÂSSIS JAUNE RL 534 TR-E	GELBES GEHÄUSE RL 534 TR-E	1
—	81001734/0	CHASSIS VERDE RL 534 TR-E	GREEN DECK RL 534 TR-E	CHÂSSIS VERT RL 534 TR-E	GRÜNES GEHÄUSE RL 534 TR-E	1
3	12792610/0	VITE	SCREW	VIS	SCHRAUBE	2
4	22041955/0	BUSSOLA	BUSH	DOUILLE	BUCHSE	4
5	12155000/0	DADO	NUT	ECROU	MUTTER	2
6	12793700/0	VITE	SCREW	VIS	SCHRAUBE	2
7	22399900/0	MANOPOLINA	KNOB	POIGNÉE	GRIF	4
8	12293200/0	DADO	NUT	ECROU	MUTTER	4
9	81006512/0	PARTE INFERIORE MANICO	LOWER HANDLE	PARTIE INF. MANCHERON	UNTERHOLM	1
10	12819201/0	VITE	SCREW	VIS	SCHRAUBE	1
10A	81003801/0	MDLLA GUIDA	SPRING	RESSORT	FEDER	1
11	22680006/1	RONDELLA	WASHER	RONDELLE	SCHIBE	2
12	12293201/0	DADO	NUT	ECROU	MUTTER	3/2
—	12155000/0	DADO	NUT	ECROU	MUTTER	0/1
14	81007160/0	CAVO ACCELERATORE	THROTTLE CABLE	CABLE ACCELERATEUR	BESCHLEUNIGER KABEL	1
15	81000623/1	CAVO FRENO MOTORE	THREAD MOTOR BRAKE	CABLE FREIN MOTEUR	MOTORBREMSKABEL	1
—	81000631/0	RL 484 (TECUMSEH)	RL 484 (TECUMSEH)	RL 484 (TECUMSEH)	RL 484 (TECUMSEH)	1
—	81000625/0	RL 484 (QUANTUM XM-ES 40)	RL 484 (QUANTUM XM-ES 40)	RL 484 (QUANTUM XM-ES 40)	RL 484 (QUANTUM XM-ES 40)	1
—	81000625/0	RL 484 (SPRINT 375/QUATTRO)	RL 484 (SPRINT 375/QUATTRO)	RL 484 (SPRINT 375/QUATTRO)	RL 484 (SPRINT 375/QUATTRO)	1
—	81000638/0	RL 484 (HONDA GV 100)	RL 484 (HONDA GV 100)	RL 484 (HONDA GV 100)	RL 484 (HONDA GV 100)	1

Pos. Nr.	Codice Kodex Code	Descrizione	Description	Description	Beschreibung	Q.tà Q.ty Q.tè Menge
—	81000641/0	RL 484 (HONDA GCV 135/160)	RL 484 (HONDA GCV 135/160)	RL 484 (HONDA GCV 135/160)	RL 484 (HONDA GCV 135/160)	1
—	81000642/0	RL 534 (QUANTUM XM-ES 40)	RL 534 (QUANTUM XM-ES 40)	RL 534 (QUANTUM XM-ES 40)	RL 534 (QUANTUM XM-ES 40)	1
—	81000643/0	RL 534 (SPRINT 375/QUATTRO)	RL 534 (SPRINT 375/QUATTRO)	RL 534 (SPRINT 375/QUATTRO)	RL 534 (SPRINT 375/QUATTRO)	1
—	81000644/0	RL 534 (TECUMSEH)	RL 534 (TECUMSEH)	RL 534 (TECUMSEH)	RL 534 (TECUMSEH)	1
—	81000640/0	RL 534 (HONDA GCV 135/160)	RL 534 (HONDA GCV 135/160)	RL 534 (HONDA GCV 135/160)	RL 534 (HONDA GCV 135/160)	1
16	22450410/1	MOLLA DX	RIGHT SPRING	RESSORT DROITE	RECHTE FEDER	1
17	22600028/4	PARASASSI	STONE-GUARD	PARE-PIERRES	PRALLBLECH	1
18	22450420/1	MOLLA SX	LEFT SPRING	RESSORT GAUCHE	LINKE FEDER	1
19	22517906/1	PERNO FULCRO	PIN	PIVOT	BOLZEN	1
22	22981467/0	PIASTRINA	PLAQUE	PLAQUETTE	PLATTE	1
23	12735105/0	VITE	SCREW	VIS	SCHRAUBE	2
24	12523040/0	RONDELLA	WASHER	RONDELLE	SCHIBE	2
25	12530060/0	RONDELLA ELASTICA	SPRING WASHER	RONDELLE ELASTIQUE	ELASTISCHE SCHEIBE	1
26	12791500/0	VITE	SCREW	VIS	SCHRAUBE	1
27	22943006/0	VITE	SCREW	VIS	SCHRAUBE	1
28	81007024/0	PORTE SUPERIORE MANICO	UPPER HANDLE	PARTIE SUP. MANCHERON	OBERHOLM	1
29	22120154/0	CRUSCOTTO ROSSO	RED DASH BOARD	CONSOLE ROUGE	RDTE KONSOLLE	1
—	22120152/0	CRUSCOTTO GIALLO	YELLOW DASH BOARD	CONSOLE JAUNE	GELBE KONSOLLE	1
—	22120158/0	CRUSCOTTO NERO	BLACK DASH BOARD	CONSOLE NOIRE	SCHWARZE KONSOLLE	1
30	81003291/2	LEVA FRENO MOTORE	BRAKE LEVER	LEVIER FREIN MOTEUR	MOTORBREMSEHEBEL	1
31	22291050/0	IMPUGNATURA MANICO NERA	BLACK HANDGRIP	POIGNÉE NOIRE	SCHWARZER HANDGRIFF	1
—	22291051/0	IMPUGNATURA MANICO ROSSA	RED HANDGRIP	POIGNÉE ROUGE	RÖTER HANDGRIFF	1
—	22291052/0	IMPUGNATURA MANICO GIALLA	YELLOW HANDGRIP	POIGNÉE JAUNE	GELBER HANDGRIFF	1
32	81007280/2	ASS. LEVA+MANOPOLINA	LEVER + KNOB ASS. Y	ENS. LEVIER + POIGNÉE	HEBEL + GRIFF SATZ	1
33	14356743/0	ETICHETTA (TECUMSEH-HONDA)	LABEL (TECUMSEH-HONDA)	ETIQUETTE (TECUMSEH-HONDA)	ETIKETTE (TECUMSEH-HONDA)	1
—	14356744/0	ETICHETTA (B&S)	LABEL (B&S)	ETIQUETTE (B&S)	ETIKETTE (B&S)	1
34	22041966/0	BOCCOLA	BUSH	DOUILLE	BUCHSE	2
35	12154510/0	DADO	NUT	ECROU	MUTTER	1
36	12728460/0	VITE	SCREW	VIS	SCHRAUBE	1
37	81003288/1	LEVA TRAZIONE	DRIVING LEVER	LEVIER TRACTION	ANTRIEBHEBEL	1
38	22041965/0	BOCCOLA	BUSH	DOUILLE	BUCHSE	2
39	22545152/0	PIASTRINA	PLAQUE	PLAQUETTE	PLATTE	2
40	12731350/0	VITE	SCREW	VIS	SCHRAUBE	4
41	22060180/0	CARTER CINGHIA (RL 484)	BELT PROTECTION (RL 484)	PROTECTION COURROIRE (RL 484)	RIEMENSCHUTZ (RL 484)	1
—	22060193/0	CARTER CINGHIA (RL 534)	BELT PROTECTION (RL 534)	PROTECTION COURROIRE (RL 534)	RIEMENSCHUTZ (RL 534)	1
42	12727791/0	VITE	SCREW	VIS	SCHRAUBE	1

—	81008614/0	DOTAZIONE VITERIA	SCREWS OUTFIT	DOTATION VISSERIE	SCHRAUBEN SATZ	1
—	81008609/0	DOTAZIONE CRUSCOTTO	DASH-BOARD OUTFIT	DOTATION CONSOLE	KONSOLLE SATZ	1

T-3615/5	VARIANTE REGOLAZIONE MANICO	HANDLE ADJUSTMENT VARIANT	VARIANTE REGLAGE POIGNEE	GRIFFEINSTELLVARIANTE		
51	81006510/0	PARTE INFR. MANICO	LOWER HANDLE	PARTIE INF. MANCHERON	UNTERHOLM	1
52	22785081/0	SUPPORTO ESTERNO	EXTERNAL SUPPORT	SUPPORT EXTERNE	AUßENHALTERUNG	2
53	22785082/0	SUPPORTO INTERNO DX	RH INTERNAL SUPPORT	SUPPORT INTERNE DROIT	INNENHALTERUNG RECHTS	1
54	22785083/0	SUPPORTO INTERNO SX	LH INTERNAL SUPPORT	SUPPORT INTERNE GAUCHE	INNENHALTERUNG LINKS	1
56	22551575/0	PIASTRINA INTERNA	INSIDE PLAQUE	PLAQUETTE INTERNE	ISOLIER PLATTE	2
57	12793701/0	VITE	SCREW	VIS	SCHRAUBE	2
58	12155000/0	DADO	NUT	ECROU	MUTTER	2
59	12521350/0	RONDELLA	WASHER	RONDELLE	SCHIBE	2
60	12691810/0	VITE	SCREW	VIS	SCHRAUBE	2
61	22399803/0	MANOPOLINA	KNOB	POIGNÉE	GRIFF	2
62	12293202/0	DADO	NUT	ECROU	MUTTER	2
63	12000930/0	ANELLO ELASTICO	SNAP RING	ANNEAU RESSORT	SPRENGRING	1
—	81008623/0	DOTAZ. VITERIA	SCREWS OUTFIT	DOTATION VISSERIE	SCHRAUBEN SATZ	1

T-3616/0	VARIANTI PER AVVIAMENTO ELETTRICO	PARTS FOR ELECTRIC START	COMPOSANTS POUR DÉMARRAGE ÉLECTRIQUE	ELEKTROSTART BESTANDTEILE		
101	22517855/0	PERNO	PIN	PIVOT	BOLZEN	2
102	12523000/0	RONDELLA	WASHER	RONDELLE	SCHIBE	2
103	12540020/0	RONDELLA	WASHER	RONDELLE	SCHIBE	2
104	18120050/0	BATTERIA	BATTERY	BATTERIE	BATTERIE	1
105	18204110/0	CARICA BATTERIA	BATTERY CHARGER	CHARGEUR DE BATTERIE	LADGERÄT	1
106	18450050/0	INTERRUTTORE	SWITCH	INTERRUPTEUR	SCHALTER	1
107	18204190/2	CAVO AVVIAMENTO	START CABLE	CABLE DÉMARRAGE	STARTKABEL	1

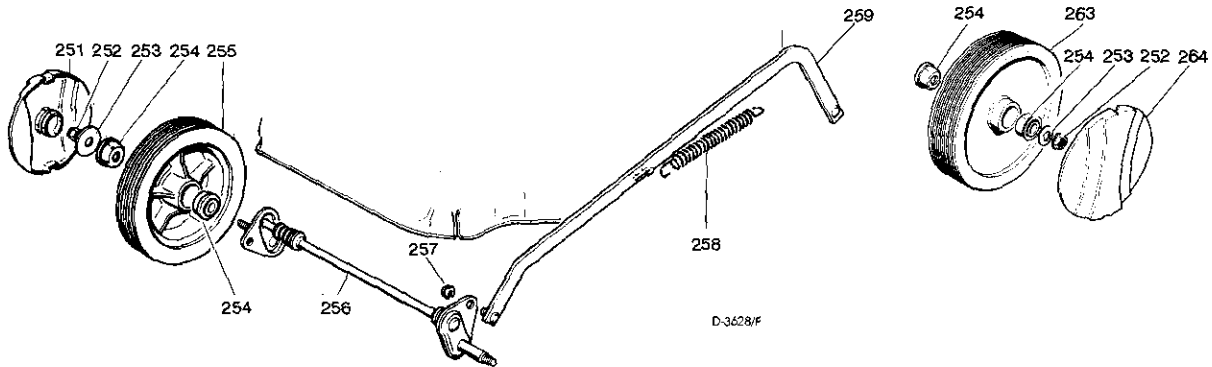
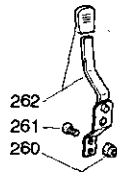
T-3615/0	VARIANTE ACCELERATORE	THROTTLE VARIANTS	VARIANTES COMMANDE D'ACCELERATION	ÄNDERUNGEN AUF GASHEBEL		
151	12291000/0	DADO	NUT	ECROU	MUTTER	1
152	12581500/0	GROWER	GROWER	GROWER	FEDERRING	1
153	22171005/0	DISTANZIALE	SPACER	ENTRETOISE	DISTANZRING	1
154	12521360/0	RONDELLA	WASHER	RONDELLE	SCHIBE	1
155	12508100/0	RONDELLA ELASTICA	SPRING WASHER	RONDELLE ELASTIQUE	ELASTISCHE SCHEIBE	1
156	22319302/0	ASS. LEVA+MANOPOLINA	LEVER+KNOB ASS. Y	ENS. LEVIER+POIGNEE	HEBEL+GRIFF SATZ	1
157	81007080/0	ASSIEME ACCELERATORE	TROTTLE UNIT ASS. Y	ENS. ACCELERATEUR	BESCHLEUNIGER SATZ	1
158	12815000/0	VITE	SCREW	VIS	SCHRAUBE	1
159	14356702/0	ETICHETTA (TECUMSEH-HONDA)	LABEL (TECUMSEH-HONDA)	ETIQUETTE (TECUMSEH-HONDA)	ETIKETTE (TECUMSEH-HONDA)	1
—	14356703/0	ETICHETTA (B&S)	LABEL (B&S)	ETIQUETTE (B&S)	ETIKETTE (B&S)	1

T-3615/2	VARIANTE REGIME FISSO	R.P.M. VARIANTS	VARIANTES POUR MODÈLE À REGIME FIXE	ÄNDERUNGEN FÜR MODELLE MIT FIXIERTER DREHZAHL		
201	22601000/0	PROTEZIONE	PROTECTION	PROTECTION	SCHUTZ	

DOVENDO SOSTITUIRE IN GARANZIA LE PARTI CONTRASSEGNAE CON «\*» RIVOLGERSI AL COSTRUTTORE DEL MOTORE.  
 IF YOU HAVE TO CHANGE THE PIECES INDICATED WITH «\*» ON WARRANTY YOU ADDRESS TO AFTER SALES SERVICE OF ENGINE MANUFACTURER.  
 SI VOUS DEVEZ SUBSTITUER LES PIÉCESE INDIQUÉES AVEC «\*» SOUS GARANTIE VOUS DEVEZ VOUS ADDRESS AU SERVICE APRÈS VENTES DE LA MAISON CONSTRUCTRICE DU MOTEUR.  
 BITTE WENN SIE SICH BEI GARANTIEREPARATUREN DER MIT «\*» GEKENNZEICHNETEN TEILE AN DIE KUNDENDIENSTSTELLE DES MOTORHERSTELLER.

Pos. Nr.	Codice Kodex Code	Descrizione	Description	Description	Beschreibung	Q.tà Q.ty Q.tè Menge
----------	-------------------	-------------	-------------	-------------	--------------	-------------------------------

**RUOTE E REGOLAZIONE  
WHEELS AND HEIGHT ADJUSTING  
ROUES ET REGLAGE HAUTEUR DE COUPE  
RÄDER UND SCHNITTVERSTELLUNG**

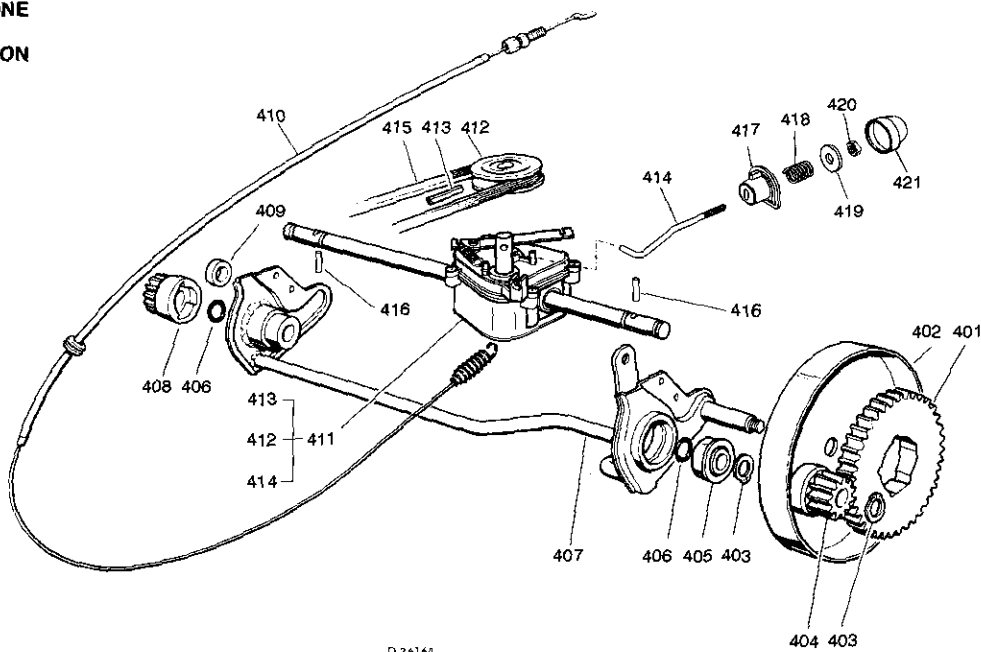


D-3628/F

T-3628/F

251	22110254/0	COPRIMOZZO GIALLO	YELLOW HUB CAP	COUVRE-MOYEU JAUNE	GELBE RADKAPPE	2
—	22110252/0	COPRIMOZZO BIANCO	WHITE HUB CAP	COUVRE-MOYEU BLANC	WEIßE RADKAPPE	2
—	22110255/0	COPRIMOZZO ROSSO	RED HUB CAP	COUVRE-MOYEU ROUGE	ROTE RADKAPPE	2
252	12155000/0	DADD	NUT	ECROU	MUTTER	4
253	12523060/0	RONDELLA	WASHER	RONDELLE	SCHEIBE	4
254	22034508/0	BOCCOLA	BUSH	DOUILLE	BUCHSE	4
255	81007311/0	RUOTA Ø 170	WHEEL Ø 170	ROUE Ø 170	RAD Ø 170	2
256	81001250/0	ASSE RUOTE ANTERIORI (RL 484)	FRONT WHEELS AXLE (RL 484)	AXE ROUES AVANT (RL 484)	VORDERRADACHSE (RL 484)	1
—	81001223/0	ASSE RUOTE ANTERIORI (RL 534)	FRONT WHEELS AXLE (RL 534)	AXE ROUES AVANT (RL 534)	VORDERRADACHSE (RL 534)	1
257	12436050/0	PIASTRINA	PLAQUE	PLAQUETTE	PLATTE	2
258	22446180/0	MOLLA	SPRING	RESSORT	FEDER	1
259	81001246/1	ASTA (RL 484)	ROD (RL 484)	TIGE (RL 484)	STANGE (RL 484)	1
—	81001264/0	ASTA (RL 534)	ROD (RL 534)	TIGE (RL 534)	STANGE (RL 534)	1
260	12154330/0	DADO	NUT	ECROU	MUTTER	2
261	12789000/0	VITE	SCREW	VIS	SCHRAUBE	2
262	81003279/2	LEVA REGOLAZIONE	ADJUSTMENT LEVER	LEVIER REGLAGE	VERSTELLUNGHEBEL	1
263	81007313/1	RUOTA Ø 210	WHEEL Ø 210	ROUE Ø 210	RAD Ø 210	2
264	22110265/0	COPRIMOZZO BIANCO	WHITE HUB CAP	COUVRE-MOYEU BLANC	WEIßE RADKAPPE	2
—	22110266/0	COPRIMOZZO GIALLO	YELLOW HUB CAP	COUVRE-MOYEU JAUNE	GELBE RADKAPPE	2
—	22110267/0	COPRIMOZZO ROSSO	RED HUB CAP	COUVRE-MOYEU ROUGE	ROTE RADKAPPE	2

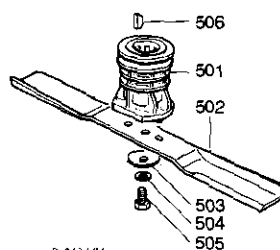
**GRUPPO TRAZIONE  
REAR DRIVE  
GROUPE TRACTION  
ANTRIEB**



D-3616/I

Pos. Nr.	Codice Kodex Code	Descrizione	Description	Description	Beschreibung	Q.tà Q.ty Q.té Menge
401	22120105/1	CORONA	RING GEAR	COURONNE	KRANZ	2
402	81006846/0	PROTEZIONE RUOTE	WHEEL GUARD	PROTECTION ROUE	RÄDERSCHUTZ	2
403	12608600/0	SEEGER	SEEGER	SEEGER	SEEGER	4
404	22570120/0	PIGNONE SINISTRO	LEFT PINION	PIGNON GAUCHE	LINKES RITZEL	1
405	22122200/0	CUSCINETTO	BEARING	COUSSINET	LAGER	2
406	12019900/0	ANELLO OR	OR RING	BAGUE OR	RING OR	2
407	81001252/1	ASSE RUOTE POSTERIORE	REAR WHEELS AXLE	AXE ROUES ARRIERE	HINTERRADACHSE	1
408	22570110/0	PIGNONE DESTRO	RIGHT PINION	PIGNON DROITE	RECHTES RITZEL	1
409	22170800/0	DISTANZIALE	SPACER	ENTRETOISE	DISTANZRING	1
410	81001143/0	ASS. COMANDO TRAZIONE	REAR DRIVE ASS.Y	ENS. COMMANDE TRACTION	ANTRIEBKABEL	1
411	81003059/0	ASS. GRUPPO TRAZIONE (PLASTICA)	GEAR BOX ASS.Y (PLASTIC)	ENS. GROUPE TRACTION (PLASTIQUE)	ANTRIEBSATZ (KUNSTSTOFF)	1
—	81003060/0	ASS. GRUPPO TRAZIONE (ALLUMINIO)	GEAR BOX ASS.Y (ALUMINIUM)	ENS. GROUPE TRACTION (ALUMINIUM)	ANTRIEBSATZ (ALUMINIUM)	1
412	22601904/0	PULEGGIA 4 KM/H	PULLEY 4 KM/H	POULIE 4 KM/H	RIEMENSCHLEIBE 4 KM/H	1
413	12645705/0	SPINA	PIN	GOUPILLE	STIFT	1
414	22033280/0	ASTA REGOLAZIONE	ADJUSTMENT ROD	TIGE REGLAGE	VERSTELLUNGSTANGE	1
415	35063800/0	CINGHIA Z 27 (RL 484)	BELT Z 27 (RL 484)	COURROIE Z 27 (RL 484)	RIEMEN Z 27 (RL 484)	1
—	35063902/0	CINGHIA Z 29.5 (RL 534)	BELT Z 29.5 (RL 534)	COURROIE Z 29.5 (RL 534)	RIEMEN Z 29.5 (RL 534)	1
416	22753000/0	SPINA	PIN	GOUPILLE	STIFT	2
417	22041957/0	BUSSOLA	BUSH	DOUILLE	BÜCHSE	1
418	22450063/0	MOLLA	SPRING	RESSORT	FEDER	1
419	22680009/0	RONDELLA	WASHER	RONDELLE	SCHEIBE	1
420	12154510/0	DADO	NUT	ECROU	MUTTER	1
421	22110230/0	TAPPO	CAP	BOUCHON	GUMMISTOPFEN	1

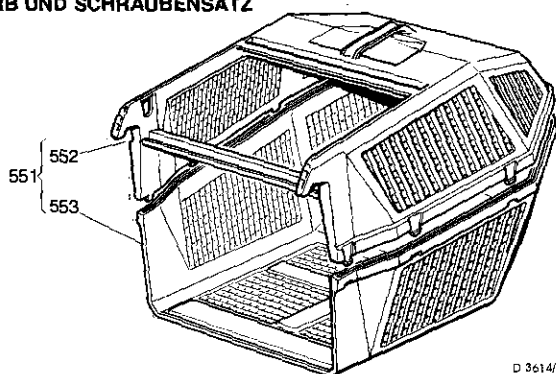
**GRUPPO COLTELLO  
BLADE ASS.Y  
GROUPE LAMES  
MESSERSATZ**



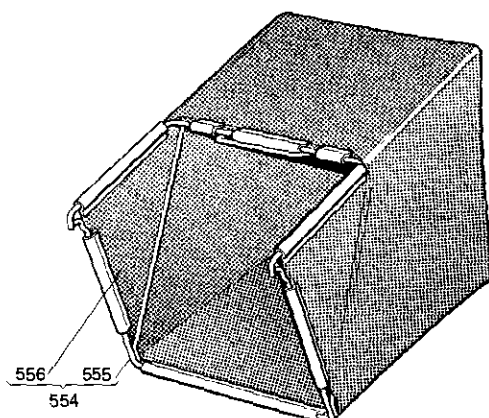
D-3616/AM

501	22465607/0	MOZZO CON PULEGGIA	HUB WITH PULLEY	MOYEU AVEC POULIE	NABE MIT SCHEIBE	1
502	81004397/0	COLTELLO ALETTATO (46 cm)	WINGED BLADE (46 cm)	LAME AILETTÉE (46 cm)	FLÜGELMESSER (46 cm)	1
—	81004346/2	COLTELLO STANDARD (46 cm)	STANDARD BLADE (46 cm)	LAME STANDARD (46 cm)	STANDARD MESSER (46 cm)	1
—	81004381/0	COLTELLO STANDARD (51 cm)	STANDARD BLADE (51 cm)	LAME STANDARD (51 cm)	STANDARD MESSER (51 cm)	1
—	81004398/0	COLTELLO ALETTATO (51 cm)	WINGED BLADE (51 cm)	LAME AILETTÉE (51 cm)	FLÜGELMESSER (51 cm)	1
503	22160400/0	RONDELLA ELASTICA	SPRING WASHER	RONDELLE ELASTIQUE	ELASTISCHE SCHEIBE	1
504	12523080/0	RONDELLA	WASHER	RONDELLE	SCHEIBE	1
505	12735698/0	VITE	SCREW	VIS	SCHRAUBE	1
506	12139100/0	LINGUETTA	FEATHER	CLAVETTE	KEIL	1

**SACCO RACCOGLIERBA E DOTAZIONE  
GRASS-CATCHER AND SCREWS OUTFITS  
BAC DE RAMASSAGE ET DOTATION VISSERIE  
GRASFANGKORB UND SCHRAUBENSATZ**



D 3614/N



551	98005000/1	SACCO COMPLETO	COMPLETE GRASS-BOX	SAC COMPLET	KOMPLETTER KORB	1
552	22486076/0	PORTE SUP. SACCO	UPPER GRASS BOX	PARTIE SUP. SAC	OBERKORB	1
553	22486077/0	PORTE INF. SACCO	LOWER GRASS BOX	PARTIE INF. SAC	UNTERKORB	1
554	98004000/0	ASS. SACCO IN TELA	CANVASS GRASSCATCHER	ENSEMBLE SAC EN TOILE	KOMPLETTER SACK	1
555	81006408/0	TELAIO	CHASSIS	CHÂSSIS	RAHMEN	1
556	81002105/2	TELA SACCO	FABRIC BOX	TOILE POUR SAC	TUCK FÜR SACK	1