

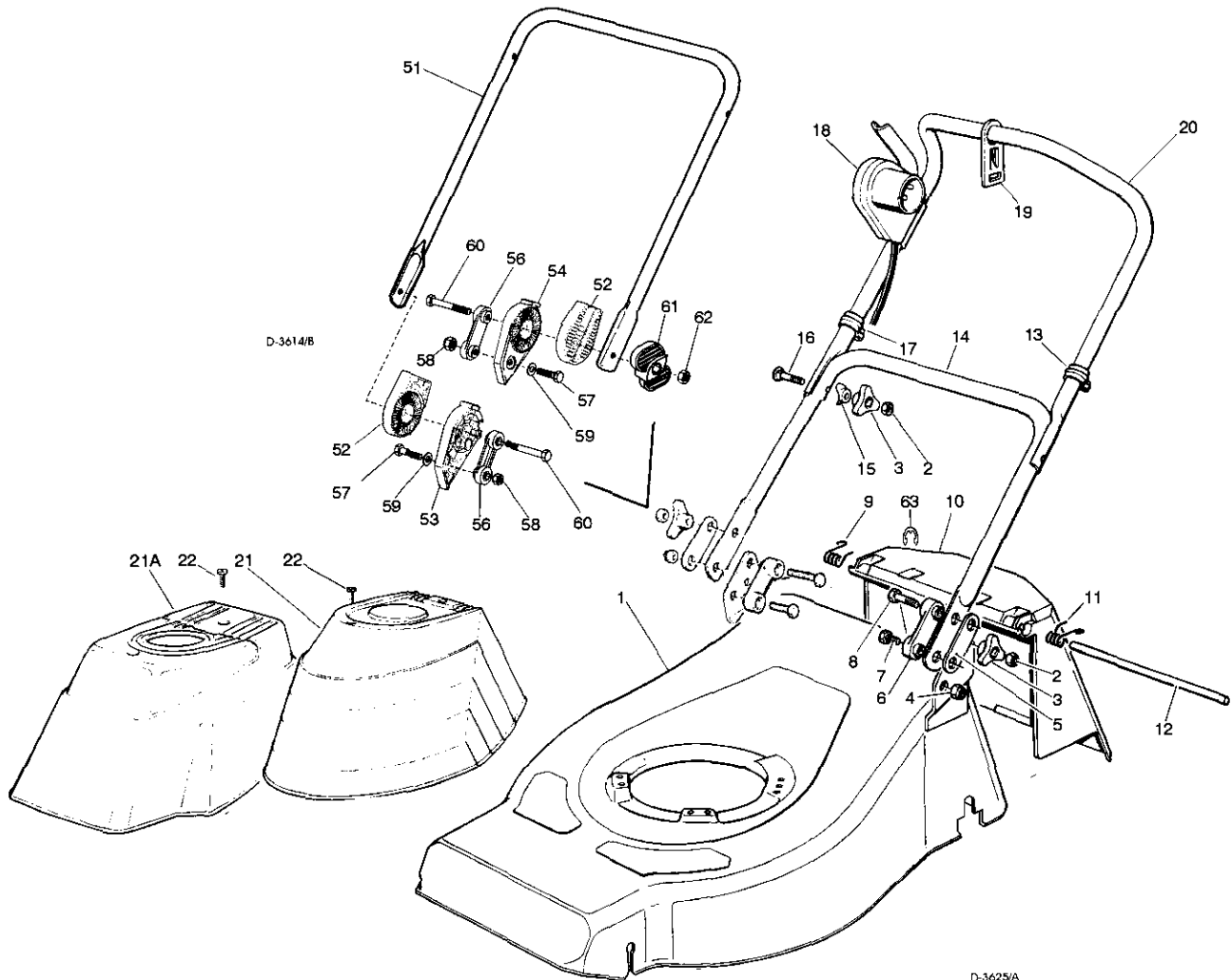
VISTE ESPLOSE
EXPLODED VIEWS

VUES ECLATEES
SPRENGZEICHNUNGEN

RL 430
RL 430 S
RL 480

Mod. 1998

CHASSIS - MANICO - COMANDI - DOTAZIONE VITERIE
DECK - HANDLE - CONTROLS - SCREWS OUTFITS
CHÂSSIS - MANCHERON - COMMANDES - DOTATION VISSERIE
GEHÄUSE - HOLM - BETÄTIGUNGEN - SCHRAUBENSATZ



T-3625/A

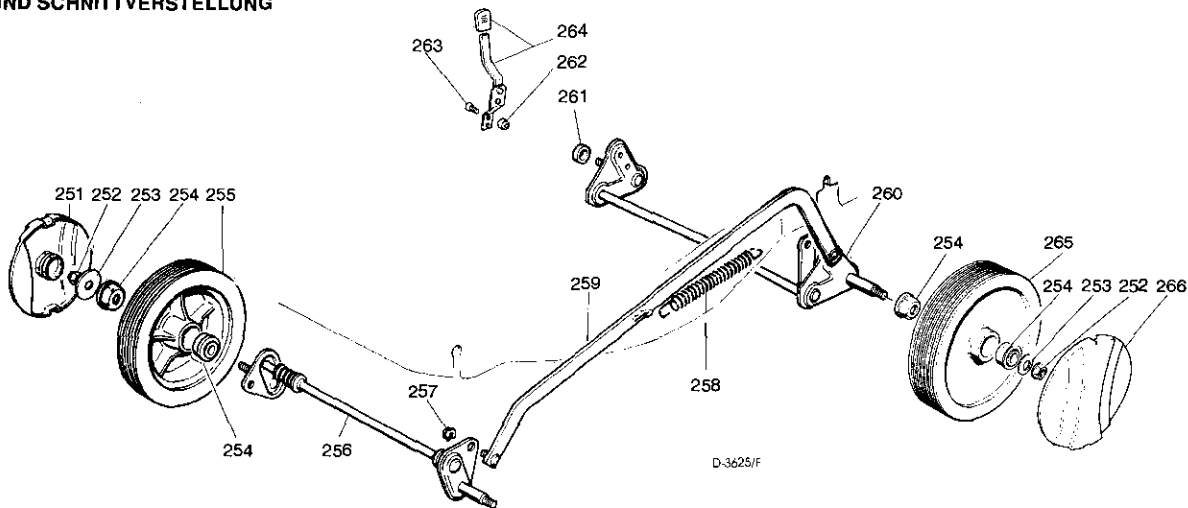
Pos. Nr.	Codice Kodex Code	Descrizione	Description	Description	Beschreibung	Q.tà Q.ty Q.tà Menge
1	81001026/0	CHASSIS ROSSO RL 430	RED DECK RL 430	CHÂSSIS ROUGE RL 430	ROTES GEHÄUSE RL 430	1
—	81001009/0	CHASSIS GIALLO RL 430	YELLOW DECK RL 430	CHÂSSIS JAUNE RL 430	GELBES GEHÄUSE RL 430	1
—	81001515/0	CHASSIS VERDE RL 430	GREEN DECK RL 430	CHÂSSIS VERT RL 430	GRÜNES GEHÄUSE RL 430	1
—	81001028/0	CHASSIS ROSSO RL 480	RED DECK RL 480	CHÂSSIS ROUGE RL 480	ROTES GEHÄUSE RL 480	1
—	81001011/0	CHASSIS GIALLO RL 480	YELLOW DECK RL 480	CHÂSSIS JAUNE RL 480	GELBES GEHÄUSE RL 480	1
—	81001516/0	CHASSIS VERDE RL 480	GREEN DECK RL 480	CHÂSSIS VERT RL 480	GRÜNES GEHÄUSE RL 480	1
2	12293200/0	DADO	NUT	ECROU	MUTTER	4
3	22399900/0	MANOPOLINA	KNOB	POIGNÉE	GRIF	4
4	12155000/0	DADO	NUT	ECROU	MUTTER	2
5	22551574/0	PIASTRINA ESTERNA	OUTSIDE PLAQUE	PLAQUETTE EXTERNE	ISOLIERPLATTE	2
6	22551575/0	PIASTRINA INTERNA	INSIDE PLAQUE	PLAQUETTE INTERNE	ISOLIERPLATTE	2
7	12793300/0	VITE	SCREW	VIS	SCHRAUBE	2
8	12691115/0	VITE	SCREW	VIS	SCHRAUBE	2
9	22450410/1	MOLLA DX	RIGHT SPRING	RESSORT DROITE	RECHTE FEDER	1
10	22600028/4	PARASASSI	STONE-GUARD	PARE-PIERRES	PRALLBLECH	1
11	22450420/1	MOLLA SX	LEFT SPRING	RESSORT GAUCHE	LINKE FEDER	1
12	22517906/1	PERNO	PIVOT	PIVOT	BOLZEN	1
13	22192151/0	FERMACAVO	FAIR LEAD	FIXATION CABLE	KABELBEFESTIGUNG	1
14	81006512/0	PARTE INF. MANICO	LOWER HANDLE	PARTIE INF. MANCHERON	UNTERHOLM	1
15	22680006/1	RONDELLA	WASHER	RONDELLE	SCHIBE	2
16	12819201/0	VITE	SCREW	VIS	SCHRAUBE	2
17	22192000/1	FASCETTA ANCORAGGIO	ANCHOR CLAMP	COLLIER ANCRAGE	BOWDENZUGHALTER	1
18	—	SALVAMOTORE M.M.	DEAD HAND SWITCH	INT. MAIN MORTE	TOT MANSCHALTER	1
--	18710562/0	8,5 A 602 MS (1300W IBMEI/RST)	8,5 A 602 MS (1300W IBMEI/RST)	8,5 A 602 MS (1300W IBMEI/RST)	8,5 A 602 MS (1300W IBMEI/RST)	1

Pos. Nr.	Codice Kodex Code	Descrizione	Description	Description	Beschreibung	Q.tà Q.ty Q.tè Menge
—	18710563/0	8,5 A 603 MS (1300W IBMEI/RST) SOLO PER SVIZZERA	8,5 A 607 MS (1300W IBMEI/RST) ONLY FOR SWITZERLAND	8,5 A 607 MS (1300W IBMEI/RST) SEULEMENT POUR LA SUISSE	8,5 A 607 MS (1300W IBMEI/RST) NUR FÜR SCHWEIZ	1
—	18710624/1	8,5 A 607 MS (1300W IBMEI)	8,5 A 607 MS (1300W IBMEI)	8,5 A 607 MS (1300W IBMEI)	8,5 A 607 MS (1300W IBMEI)	1
—	18710604/0	10 A 602 MS (1600W IBMEI/RST)	10 A 602 MS (1600W IBMEI/RST)	10 A 602 MS (1600W IBMEI/RST)	10 A 602 MS (1600W IBMEI/RST)	1
—	18710572/0	10 A 603 MS (1600W IBMEI/RST) SOLO PER SVIZZERA	10 A 603 MS (1600W IBMEI/RST) ONLY FOR SWITZERLAND	10 A 603 MS (1600W IBMEI/RST) SEULEMENT POUR LA SUISSE	10 A 603 MS (1600W IBMEI/RST) NUR FÜR SCHWEIZ	1
—	18710628/0	10 A 607 MS (1600W IBMEI)	10 A 607 MS (1600W IBMEI)	10 A 607 MS (1600W IBMEI)	10 A 607 MS (1600W IBMEI)	1
19	22195101/0	FERMACAVO	FAIR LEAD	FIXATION CABLE	KABELBEFESTIGUNG	1
20	81007017/1	PARTE SUP. MANICO	UPPER HANDLE	PARTIE SUP. MANCHERON	OBERHOLM	1
21	81002057/0	ASSIEME CAPOTTINA	COVER ASS.Y	ENS. CAPOT	KOMPLETTE HAUBE	1
21A	81002059/0	ASSIEME CAPOTTINA	COVER ASS.Y	ENS. CAPOT	KOMPLETTE HAUBE	1
22	12728680/0	VITE	SCREW	VIS	SCHRAUBE	2

T-3614/B

	VARIANTE REGOLAZIONE MANICO	HANDLE ADJUSTMENT VARIANT	VARIANTE REGLAGE POIGNEE	GRIFFEINSTELLVARIANTE	
51	81006510/0	PARTE INFR. MANICO	LOWER HANDLE	PARTIE INF. MANCHERON	UNTERHOLM 1
52	22785081/0	SUPPORTO ESTERNO	EXTERNAL SUPPORT	SUPPORT EXTERNE	AUßENHALTERUNG 2
53	22785082/0	SUPPORTO INTERNO DX	RH INTERNAL SUPPORT	SUPPORT INTERNE DROIT	INNENHALTERUNG RECHTS 1
54	22785083/0	SUPPORTO INTERNO SX	LH INTERNAL SUPPORT	SUPPORT INTERNE GAUCHE	INNENHALTERUNG LINKS 1
56	22551575/0	PIASTRINA INTERNA	INSIDE PLAQUE	PLAQUETTE INTERNE	ISOLIER PLATTE 2
57	12793701/0	VITE	SCREW	VIS	SCHRAUBE 2
58	12155000/0	DADO	NUT	ECROU	MUTTER 2
59	12521350/0	RONDELLA	WASHER	RONDELLE	SCHEIBE 2
60	12691810/0	VITE	SCREW	VIS	SCHRAUBE 2
61	22399803/0	MANOPOLINA	KNOB	POIGNEE	GRIF 2
62	12293202/0	DADO	NUT	ECROU	MUTTER 2
63	12000930/0	ANELLO ELASTICO	SNAP RING	ANNEAU RESSORT	SPRENGRING 1
—	81008622/0	DOTAZ. VITERIA	SCREWS OUTFIT	DOTATION VISSERIE	SCHRAUBEN SATZ 1

**RUOTE E REGOLAZIONE
WHEELS AND HEIGHT ADJUSTING
ROUES ET REGLAGE HAUTEUR DE COUPE
RÄDER UND SCHNITTVERSTELLUNG**

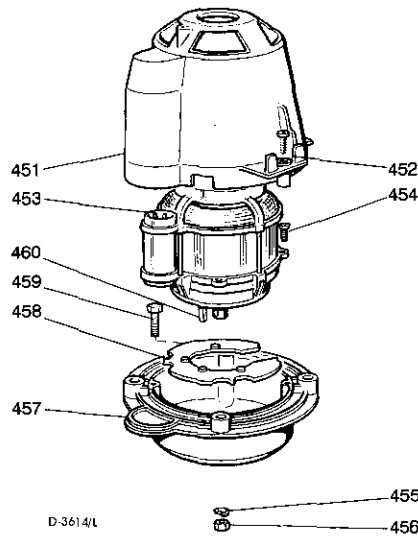


T-3625/F

251	22110252/0	COPRIMOZZO BIANCO	WHITE HUB CAP	COUVRE-MOYEU BLANC	WEIBE RADKAPPE	2
—	22110254/0	COPRIMOZZO GIALLO	YELLOW HUB CAP	COUVRE-MOYEU JAUNE	GELB RADKAPPE	2
—	22110255/0	COPRIMOZZO ROSSO	RED HUB CAP	COUVRE-MOYEU ROUGE	ROTE RADKAPPE	2
252	12155000/0	DADO	NUT	ECROU	MUTTER	2
253	12523060/0	RONDELLA	WASHER	RONDELLE	SCHEIBE	2
254	22034508/0	BOCCOLA	BUSH	DOUILLE	BÜCHSE	4
255	81007311/0	RUOTA Ø 170	WHEEL Ø 170	ROUE Ø 170	RAD Ø 170	2
256	81001248/0	ASSE RUOTE ANT. RL 430	FRONT WHEELS AXLE RL 430	AXE ROUES AVANT RL 430	VORDERRADACHSE RL 430	1
—	81001250/0	ASSE RUOTE ANT. RL 480	FRONT WHEELS AXLE RL 480	AXE ROUES AVANT RL 480	VORDERRADACHSE RL 480	1
257	12436050/0	PIASTRINA	PLATE	PLAQUETTE	PLATTE	2
258	22446180/0	MOLLA	SPRING	RESSORT	FEDER	1
259	81001244/0	ASTA COMANDO RL 430	ADJUSTMENT ROD RL 430	TIGE COMMANDE RL 430	STELLSTAB RL 430	1
—	81001246/1	ASTA COMANDO RL 480	ADJUSTMENT ROD RL 480	TIGE COMMANDE RL 480	STELLSTAB RL 480	1
260	81001254/0	ASSE RUOTE POST.	REAR WHEELS AXLE	AXE ROUES ARRIERE	HINTERRADACHSE	1
261	22170800/0	DISTANZIALE	SPACER	ENTRETOISE	DISTANZRING	1
262	12154320/0	DADO	NUT	ECROU	MUTTER	2
263	12789000/0	VITE	SCREW	VIS	SCHRAUBE	2
264	81003279/1	LEVA REGOLAZIONE	ADJUSTMENT LEVER	LEVIER REGLAGE	STELLUNGHEBEL	1
265	81007313/1	RUOTA Ø 210	WHEEL Ø 210	ROUE Ø 210	RAD Ø 210	2
266	22110251/0	COPRIMOZZO BIANCO	WHITE HUB CAP	COUVRE-MOYEU BLANC	WEIBE RADKAPPE	2
—	22110253/0	COPRIMOZZO GIALLO	YELLOW HUB CAP	COUVRE-MOYEU JAUNE	GELBE RADKAPPE	2
—	22110256/0	COPRIMOZZO ROSSO	RED HUB CAP	COUVRE-MOYEU ROUGE	ROTE RADKAPPE	2

Pos. Nr.	Codice Kodex Code	Descrizione	Description	Description	Beschreibung	Q.tà Q.ty Q.té Menge
----------	-------------------	-------------	-------------	-------------	--------------	-------------------------------

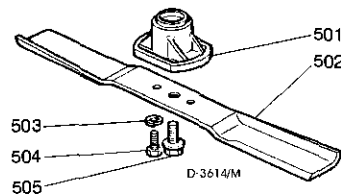
**GRUPPO MOTORE ELETTRICO
MOTOR ASS.Y
MOTEUR ELECTRIQUE
ELEKTROMOTOR**



T-3614/L

451	22785061/0	SUPPORTO CAPOTTINA	COVER SUPPORT	SUPPORT CAPOT	HAUBEHALTER	1
452	12728710/0	VITE	SCREW	VIS	SCHRAUBE	4
453		MOTORE	MOTOR	MOTEUR	MOTOR	
—	18563068/1	IBMEI 1300W (230V)	IBMEI 1300W (230V)	IBMEI 1300W (230V)	IBMEI 1300W (230V)	1
—	18563008/0	RST 1300W (220-230V)	RST 1300W (220-230V)	RST 1300W (220-230V)	RST 1300W (220-230V)	1
—	18563069/1	IBMEI 1300W (240V)	IBMEI 1300W (240V)	IBMEI 1300W (240V)	IBMEI 1300W (240V)	1
—	18563061/2	IBMEI 1600W (230V)	IBMEI 1600W (230V)	IBMEI 1600W (230V)	IBMEI 1600W (230V)	1
—	18563009/0	RST 1600W (230V)	RST 1600W (230V)	RST 1600W (230V)	RST 1600W (230V)	1
—	18563047/2	IBMEI 1600W (240V)	IBMEI 1600W (240V)	IBMEI 1600W (240V)	IBMEI 1600W (240V)	1
453A	18740049/0	VENTOLA PER MOTORE	MOTOR FAN	VENTILATEUR MOTEUR	LÜFTER	1
—	18740051/0	VENTOLA PER MOTORE RST	RST MOTOR FAN	VENTILATEUR MOTEUR RST	RST LÜFTER	1
453B	18222037/0	CONDENSATORE 16 µF	CONDENSER 16 µF	CONDENSEUR 16 µF	KONDENSATOR 16 µF	1
—	18222038/0	CONDENSATORE 20 µF	CONDENSER 20 µF	CONDENSEUR 20 µF	KONDENSATOR 20 µF	1
454	12735410/0	VITE	SCREW	VIS	SCHRAUBE	4
455	12583500/0	GROWER	GROWER	GROWER	FEDERRING	4
456	12293200/0	DADO	NUT	ECROU	MUTTER	4
457	22207211/3	FLANGIA	FLANGE	BRIDE	FLANSCH	1
458	22720360/1	SCHERMO VENTILAZIONE	VENTILATION SCREEN	ECRAN VENTILATION	LÜFTUNGSSCHIRM	1
459	12793700/0	VITE	SCREW	VIS	SCHRAUBE	4
460	12139440/0	LINGUETTA	FEATHER	CLAVETTE	KEIL	1

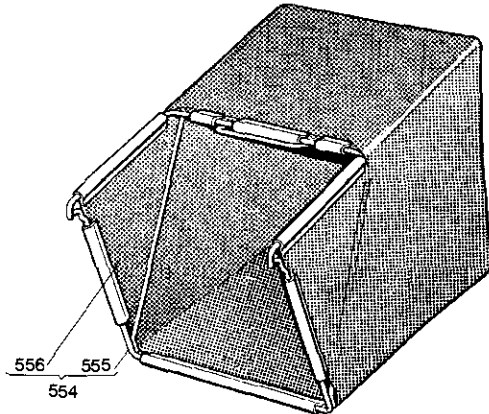
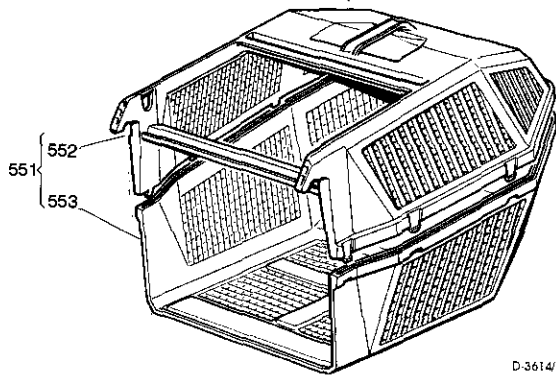
**GRUPPO COLTELLO
BLADE ASS.Y
GROUPE LAME
MESSERSATZ**



T-3621/M

501	22463186/1	MOZZO	HUB	MDYEU	NABE	1
502	81004341/2	COLTELLO STANDARD 41 cm.	STANDARD BLADE 41 cm.	LAME STANDARD 41 cm.	STANDARD MESSER 41 cm.	1
—	81004396/0	COLTELLO ALETTATO 41 cm.	WINGED BLADE 41 cm.	LAME AILETTÉE 41 cm.	FLÜGELMESSER 41 cm.	1
—	81004346/2	COLTELLO STANDARD 46 cm.	STANDARD BLADE 46 cm.	LAME STANDARD 46 cm.	STANDARD MESSER 46 cm.	1
—	81004397/0	COLTELLO ALETTATO 46 cm.	WINGED BLADE 46 cm.	LAME AILETTÉE 46 cm.	FLÜGELMESSER 46 cm.	1
503	12583500/0	GROWER	GROWER	GROWER	FEDERRING	2
504	12793101/0	VITE	SCREW	VIS	SCHRAUBE	2
505	81004352/0	VITE	SCREW	VIS	SCHRAUBE	1

Pos. Nr.	Codice Kodex Code	Descrizione	Description	Description	Beschreibung	Q.tà Q.ty Q.té Menge
SACCO RACCOGLIERBA GRASS-CATCHER BAC DE RAMASSAGE GRASFANGKORB						



T-3614/N

551	98005000/1	SACCO COMPLETO	COMPLETE GRASS-BOX	SAC COMPLET	KOMPLETTER KORB	1
552	22486076/0	PARTE SUP. SACCO	UPPER GRASS BOX	PARTIE SUP. SAC	OBERKORB	1
553	22486077/0	PARTE INF. SACCO	LOWER GRASS BOX	PARTIE INF. SAC	UNTERKORB	1
554	98004000/0	ASS. SACCO IN TELA	CANVASS GRASSCATCHER	ENSEMBLE SAC EN TOILE	KOMPLETTER SACK	1
555	81006408/0	TELAIO	CHASSIS	CHÂSSIS	RAHMEN	1
556	81002105/2	TELA SACCO	FABRIC BOX	TOILE POUR SAC	TUCK FÜR SACK	1