

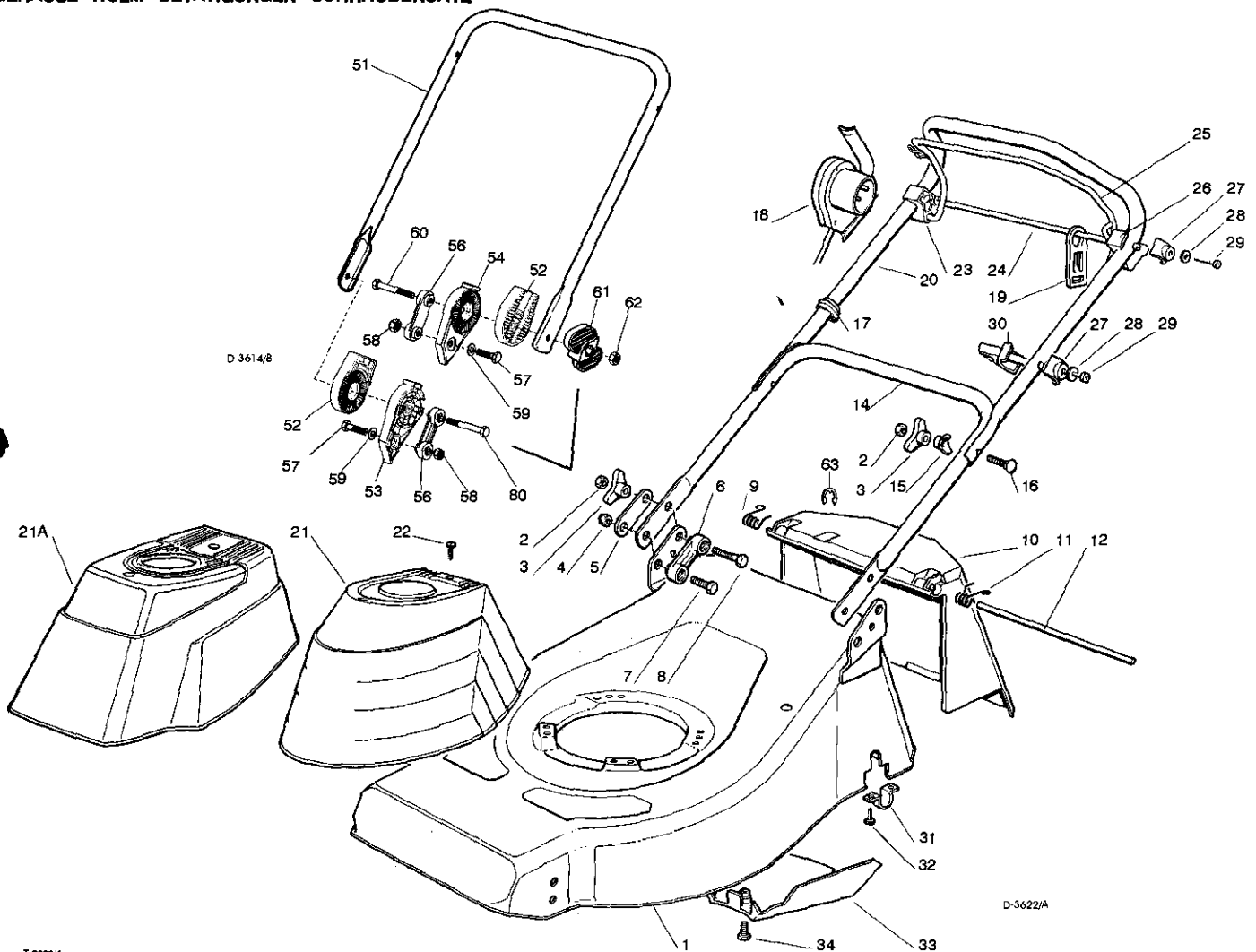
VISTE ESPLOSE
EXPLODED VIEWS

VUES ECLATEES
SPRENGZEICHNUNGEN

R 430 TR

CHASSIS - MANICO - COMANDI - DOTAZIONE VITERIE
DECK - HANDLE - CONTROLS - SCREWS OUTFITS
CHÂSSIS - MANCHERON - COMMANDES - DOTATION VISSERIE
GEHÄUSE - HOLM - BETÄTIGUNGEN - SCHRAUBENSATZ

Mod. 1998



T-3022/A

Pos. Nr.	Codice Code Kodex	Descrizione	Description	Description	Beschreibung	Q.tà Q.ty-Q.tè Menge
1	81001627/0	CHASSIS ROSSO	RED DECK	CHÂSSIS ROUGE	ROTES GEHÄUSE	1
—	81001628/0	CHASSIS GIALLO	YELLOW DECK	CHÂSSIS JAUNE	GELBES GEHÄUSE	1
—	81001629/0	CHASSIS VERDE	GREEN DECK	CHÂSSIS VERT	GRÜNES GEHÄUSE	1
2	12293200/0	DADO	NUT	ECROU	MUTTER	4
3	22399900/0	MANOPOLINA	KNOB	POIGNÉE	GRIF	4
4	12155000/0	DAOO	NUT	ECROU	MUTTER	2
5	22551574/0	PIASTRINA ESTERNA	OUTSIDE PLAQUE	PLAQUETTE EXTERNE	ISOLIERPLATTE	2
6	22551575/0	PIASTRINA INTERNA	INSIDE PLAQUE	PLAQUETTE INTERNE	ISOLIERPLATTE	2
7	12793300/0	VITE	SCREW	VIS	SCHRAUBE	2
8	12691115/0	VITE	SCREW	VIS	SCHRAUBE	2
9	22450410/1	MOLLA DESTRA	RIGHT SPRING	RESSORT DROITE	RECHTE FEDER	1
10	22600028/4	PARASASSI	STONE-GUARD	PARE-PIERRES	PRALLBLECH	1
11	22450420/1	MOLLA SINISTRA	LEFT SPRING	RESSORT GAUCHE	LINKE FEDER	1
12	22517906/1	PERNO	PIN	PIVOT	BOLZEN	1
14	81006512/0	PORTE INFERIORE MANICO	LOWER HANDLE	PARTIE INF. MANCHERON	UNTERHOLM	1
15	22680006/1	RONDELLA	WASHER	RONDELLE	SCHEIBE	2
16	12819201/0	VITE	SCREW	VIS	SCHRAUBE	2
17	22192000/1	FASCETTA ANCORAGGIO	ANCHOR CLAMP	COLLIER ANCRAGE	BOWDENZUGHALTER	2
18	18710603/0	SALVAMOTORE M.M. 11A 602 MS	DEAD HAND SWITCH 11A 602 MS	INT. MAIN MORTE 11A 602 MS	TOT MANSCHALTER 11A 602 MS	1
19	22195101/1	FERMACAVO	FAIR LEAO	FIXATION CABLE	KABELBEFESTIGUNG	1
20	81006997/0	PORTE SUPERIORE MANICO	UPPER HANDLE	PARTIE SUP. MANCHERON	OBERHOLM	1
21	81002057/0	CAPOTTINA	COVER	CAPOT	HAUBE	1
21A	81002059/0	CAPOTTINA	COVER	CAPOT	HAUBE	1
22	12728680/0	VITE	SCREW	VIS	SCHRAUBE	2
23	22806515/0	SUPPORTO DESTRO	RIGHT FIXED BEARING	SUPPORT DROITE	RECHTER HALTER	1

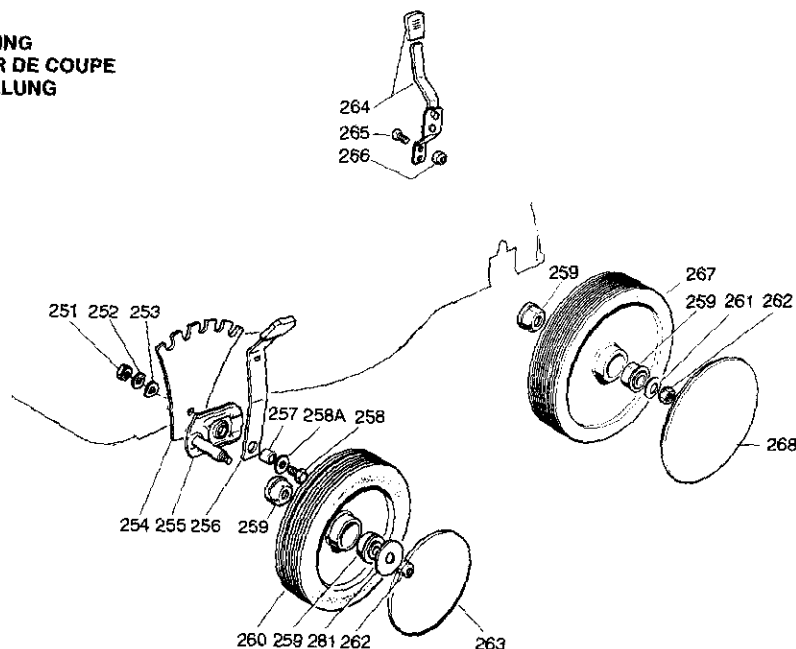
Pos. Nr.	Codice Code Kodex	Descrizione	Description	Description	Beschreibung	Q.tà Q.ty-Q.tà Menge
↓						
24	22020320/0	AGGANCIO FERMACAVO	FAIR-LEAD BEARING	SUPPORT SERRE-CABLE	KABELHALTER	1
25	81001241/0	LEVA TRAZIONE	DRIVING LEVER	LEVIER TRACTION	ANTRIEBHEBEL	1
26	22806516/0	SUPPORTO SINISTRO	LEFT FIXED BEARING	SUPPORT GAUCHE	LINKER HALTER	1
27	22680007/0	RONDELLA	WASCHER	RONDELLE	SCHEIBE	3
28	12523040/0	RONDELLA	WASCHER	RONDELLE	SCHEIBE	3
29	12735103/0	VITE	SCREW	VIS	SCHRAUBE	3
30	22806510/0	SUPPORTO REGISTRO	ADJUSTER SUPPORT	SUPPORT ECROU REG.	REGLERHALTER	1
31	22545152/0	PIASTRINA	PLATE	PLAQUETTE	PLATTE	2
32	12731350/0	VITE	SCREW	VIS	SCHRAUBE	4
33	22060170/0	CARTER CINGHIA	BELT PROTECTION	PROTECTION CORROIRE	RIEMENSCHUTZ	1
34	12727791/0	VITE	SCREW	VIS	SCHRAUBE	1

—	81008596/0	DOTAZIONE VITERIA	SCREWS OUTFIT	DOTATION VISSERIE	SCHRAUBEN SATZ	1
---	------------	-------------------	---------------	-------------------	----------------	---

T-3614/B

	VARIANTE REGOLAZIONE MANICO	HANDLE ADJUSTMENT VARIANT	VARIANTE REGLAGE POIGNEE	GRIFFEINSTELLVARIANTE		
51	81006510/0	PARTE INFR. MANICO	LOWER HANDLE	PARTIE INF. MANCHERON	UNTERHOLM	1
52	22785081/0	SUPPORTO ESTERNO	EXTERNAL SUPPORT	SUPPORT EXTERNE	AUßENHALTERUNG	2
53	22785082/0	SUPPORTO INTERNO DX	RH INTERNAL SUPPORT	SUPPORT INTERNE DROIT	INNENHALTERUNG RECHTS	1
54	22785083/0	SUPPORTO INTERNO SX	LH INTERNAL SUPPORT	SUPPORT INTERNE GAUCHE	INNENHALTERUNG LINKS	1
56	22551575/0	PIASTRINA INTERNA	INSIDE PLAQUE	PLAQUETTE INTERNE	ISOLIER PLATTE	2
57	12793701/0	VITE	SCREW	VIS	SCHRAUBE	2
58	12155000/0	DADO	NUT	ECROU	MUTTER	2
59	12521350/0	RONDELLA	WASHER	RONDELLE	SCHEIBE	2
60	12691810/0	VITE	SCREW	VIS	SCHRAUBE	2
61	22399803/0	MANOPOLINA	KNOB	POIGNEE	GRIF	2
62	12293202/0	DADO	NUT	ECROU	MUTTER	2
63	12000930/0	ANELLO ELASTICO	SNAP RING	ANNEAU RESSORT	SFRENGRING	1
—	81008622/0	DOTAZ. VITERIA	SCREWS OUTFIT	DOTATION VISSERIE	SCHRAUBEN SATZ	1

RUOTE E REGOLAZIONE
WHEELS AND HEIGHT ADJUSTING
ROUES ET REGLAGE HAUTEUR DE COUPE
RÄDER UND SCHNITTVERSTELLUNG



T-3616/F

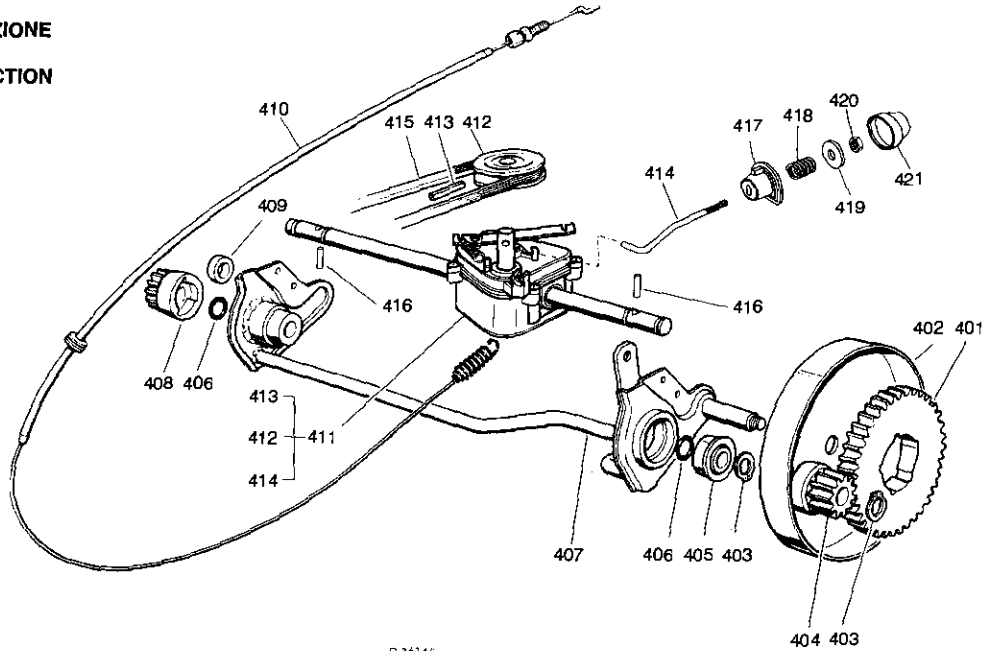
251	12293200/0	DADO	NUT
252	12583500/0	GROWER	GROWER
253	12523070/0	RONDELLA	WASHER
254	22735537/0	SETTORE REGOLAZIONE	ADJUSTMENT SECTOR
255	81005082/0	SUPP. RUOTA	WHEEL SUPPORT
256	81003273/0	LEVA REGOLAZIONE	ADJUSTMENT LEVER
257	22171001/0	DISTANZIALE	SPACER
256	12793701/0	VITE	SCREW
258A	12521350/0	RONDELLA	WASHER
259	22034508/0	BOCOLA	BUSH
260	81007311/0	RUOTA Ø 170	WHEEL Ø 170
261	12523060/0	RONDELLA	WASHER
262	12155000/0	DADO	NUT
263	22110262/0	COPRIMOZZO BIANCO	WHITE HUB CAP
—	22110263/0	COPRIMOZZO GIALLO	YELLOW HUB CAP
—	22110264/0	COPRIMOZZO ROSSO	RED HUB CAP

D-3616/F

ECROU	MUTTER	2
GROWER	FEDERRING	2
RONDELLE	SCHEIBE	2
SECTEUR REGLAGE	VERSTELLUNGSEKTOR	2
SUPPORT ROUE	RADHALTER	2
LEVIER REGLAGE	VERSTELLUNGHEBEL	2
ENTRETOISE	DISTANZRING	2
VIS	SCHRAUBE	2
RONDELLE	SCHEIBE	2
DOUILLE	BUCHSE	8
ROUE Ø 170	RAD Ø 170	4
RONDELLE	SCHEIBE	4
ECROU	MUTTER	4
COUVRE-MOYEU BLANC	WEIßE RADKAPPE	2
COUVRE-MOYEU JAUNE	GELBE RADKAPPE	2
COUVRE-MOYEU ROUGE	ROTE RADKAPPE	2

Pos. Nr.	Codice Code Kodex	Descrizione	Description	Description	Beschreibung	Q.tà Q.ty-Q.tè Menge
264	81003279/2	LEVA REGOLAZIONE	ADJUSTMENT LEVER	LEVIER REGLAGE	VERSTELLUNGHEBEL	1
265	12789000/0	VITE	SCREW	VIS	SCHRAUBE	2
266	12154330/0	DADO	NUT	ECROU	MUTTER	2
267	81007313/1	RUOTA Ø 210	WHEEL Ø 210	ROUE Ø 210	RAD Ø 210	2
268	22110265/0	COPRIMOZZO BIANCO	WHITE HUB CAP	COUVRE-MOYEU BLANC	WEIÙE RADKAPPE	2
—	22110266/0	COPRIMOZZO GIALLO	YELLOW HUB CAP	COUVRE-MOYEU JAUNE	GELBE RADKAPPE	2
—	22110267/0	COPRIMOZZO ROSSO	RED HUB CAP	COUVRE-MOYEU ROUGE	ROTE RADKAPPE	2

**GRUPPO TRAZIONE
REAR DRIVE
GROUPE TRACTION
ANTRIEB**

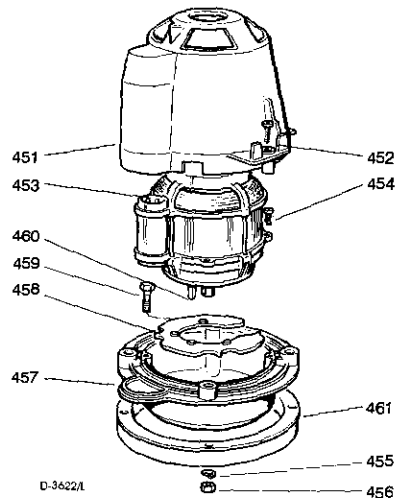


T-3622/1

D-3616/

401	22120105/1	CORONA	RING GEAR	COURONNE	KRANZ	2
402	81006846/0	PROTEZIONE RUOTE	WHEEL GUARD	PROTECTION ROUE	RÄDERSCHUTZ	2
403	12608600/0	SEEGER	SEEGER	SEEGER	SEEGER	4
404	22570120/0	PIGNONE SINISTRO	LEFT PINION	PIGNON GAUCHE	LINKES RITZEL	1
405	22122200/0	CUSCINETTO	BEARING	COUSSINET	LAGER	2
406	12019900/0	ANELLO OR	OR RING	BAGUE OR	RING OR	2
407	81001252/1	ASSE RUOTE POSTERIORE	REAR WHEELS AXLE	AXE ROUES ARRIERE	HINTERRADACHSE	1
408	22570110/0	PIGNONE DESTRO	RIGHT PINION	PIGNON DROITE	RECHTES RITZEL	1
409	22170800/0	DISTANZIALE	SPACER	ENTRETOISE	DISTANZRING	1
410	81001138/0	COMANDO TRAZIONE	REAR DRIVE ASS.Y	ENS. COMMANDE TRACTION	ANTRIEBKABEL	1
411	81003059/0	ASSIEME GRUPPO TRAZIONE (PLASTICA)	REAR DRIVE ASS.Y (PLASTIC)	ENS. GROUPE TRACTION (PLASTIQUE)	ANTRIEBSATZ (KUNSTSTOFF)	1
—	81003060/0	ASSIEME GRUPPO TRAZIONE (ALLUMINIO)	REAR DRIVE ASS.Y (ALUMINIUM)	ENS. GROUPE TRACTION (ALUMINIUM)	ANTRIEBSATZ (ALUMINIUM)	1
412	22601904/0	PULEGGIA 4 KM/H	PULLEY 4 KM/H	POULIE 4 KM/H	RIEMENSCHLEIBE 4 KM/H	1
413	12645705/0	SPINA	PIN	GOUPILLE	STIFT	1
414	22033280/0	ASTA REGOLAZIONE	ADJUSTMENT ROD	TIGE REGLAGE	VERSTELLUNGSTANGE	1
415	35063710/0	CINGHIA Z 25	BELT Z 25	COURROIE Z 25	RIEMEN Z 25	1
416	22753000/0	SPINA	PIN	GOUPILLE	STIFT	2
417	22041957/0	BUSSOLA	BUSH	DOUILLE	BUCHSE	1
418	22450063/0	MOLLA	SPRING	RESSORT	FEDER	1
419	22680009/0	RONDELLA	WASHER	RONDELLE	SCHEIBE	2
420	12154510/0	DADO	NUT	ECROU	MUTTER	2
421	22110230/0	TAPPO				

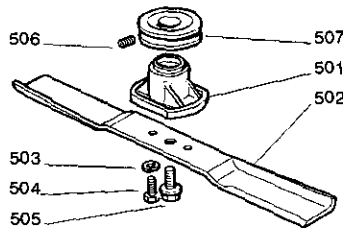
**GRUPPO MOTORE ELETTRICO
MOTOR ASS.Y
MOTEUR ELECTRIQUE
ELEKTROMOTOR**



D-3622L

Pos. Nr.	Codice Code Kodex	Descrizione	Description	Description	Beschreibung	Q.tà Q.ty-Q.tè Menge
T-3622L						
451	22785061/0	SUPPORTO CAPOTTINA	COVER SUPPORT	SUPPORT CAPOT	HAUBEHALTER	1
452	12728710/0	VITE	SCREW	VIS	SCHRAUBE	4
453	18563070/1	MOTORE IBMEI 1600W (230V)	IBMEI MOTOR 1600W (230V)	MOTEUR IBMEI 1600W (230V)	MOTOR IBMEI 1600W (230V)	1
453b	18740049/0	VENTOLA MOTORE IBMEI	IBMEI MOTOR FAN	VENTILATEUR MOTEUR IBMEI	IBMEI LÜFTER	1
453c	18222038/0	CONDENSATORE 20 µF	CONDENSER 20 µF	CONDENSEUR 20 µF	KONDENSATOR 20 µF	1
454	12735410/0	VITE	SCREW	VIS	SCHRAUBE	4
455	12583500/0	GROWER	GROWER	GROWER	FEDERRING	4
456	12293200/0	DADO	NUT	ECROU	MUTTER	4
457	22207211/3	FLANGIA	FLANGE	BRIDE	FLANSCH	1
458	22720360/1	SCHERMO VENTILAZIONE	VENTILATION SCREEN	ECRAN VENTILATION	LÜFTUNGSSCHIRM	1
459	12691800/0	VITE	SCREW	VIS	SCHRAUBE	4
460	12139440/0	LINGUETTA	FEATHER	CLAVETTE	KEIL	1
461	81003471/0	DISTANZIALE	SPACER	ENTRETOISE	DISTANZRING	1

**GRUPPO COLTELLO
BLADE ASS.Y
GROUPE LAME
MESSERSATZ**

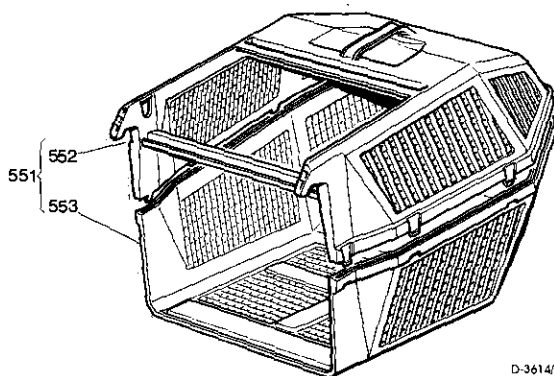


D-3622/M

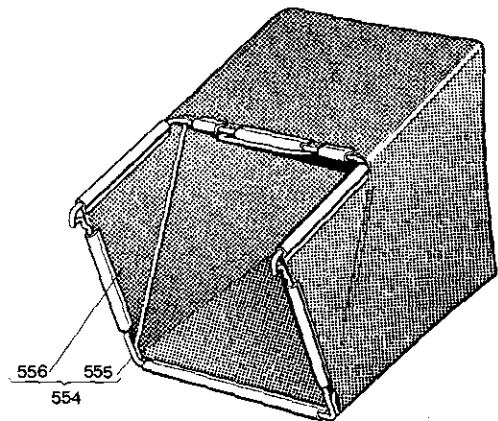
T-3622M

501	22463186/1	MOZZO	HUB	MOYEU	NABE	1
502	81004341/2	COLTELLO STANDARD	STANDARD BLADE	LAME STANDARD	STANDARD MESSER	1
-	81004396/0	COLTELLO ALETTATO	WINGED BLADE	LAME AILETTÉE	FLÜGELMESSER	1
503	12583500/0	GROWER	GROWER	GROWER	FEDERRING	2
504	12793101/0	VITE	SCREW	VIS	SCHRAUBE	2
505	81004352/0	VITE	SCREW	VIS	SCHRAUBE	1
506	12713801/0	GRANO	DOWEL	GRAIN	STIFT	1
507	81000830/0	PULEGGIA	PULLEY	POUILE	RIEMENSCHLEIBE	1

**SACCO RACCOGLIERBA
GRASS-CATCHER
BAC DE RAMASSAGE
GRASFANGKORB**



D-3614/N



T-3614N

551	98005000/1	SACCO COMPLETO	COMPLETE GRASS-BOX	SAC COMPLET	KOMPLETTER KORB	1
552	22486076/0	PARTE SUP. SACCO	UPPER GRASS BOX	PARTIE SUP. SAC	OBBERKORB	1
553	22486077/0	PARTE INF. SACCO	LOWER GRASS BOX	PARTIE INF. SAC	UNTERKORB	1
554	98004000/0	ASS. SACCO IN TELA	CANVASS GRASSCATCHER	ENSEMBLE SAC EN TOILE	KOMPLETTER SACK	1
555	81006408/0	TELAIO	CHASSIS	CHASSIS	RAHMEN	1
556	81002105/2	TELA SACCO	FABRIC BOX	TOILE POUR SAC	TUCK FÜR SACK	1