

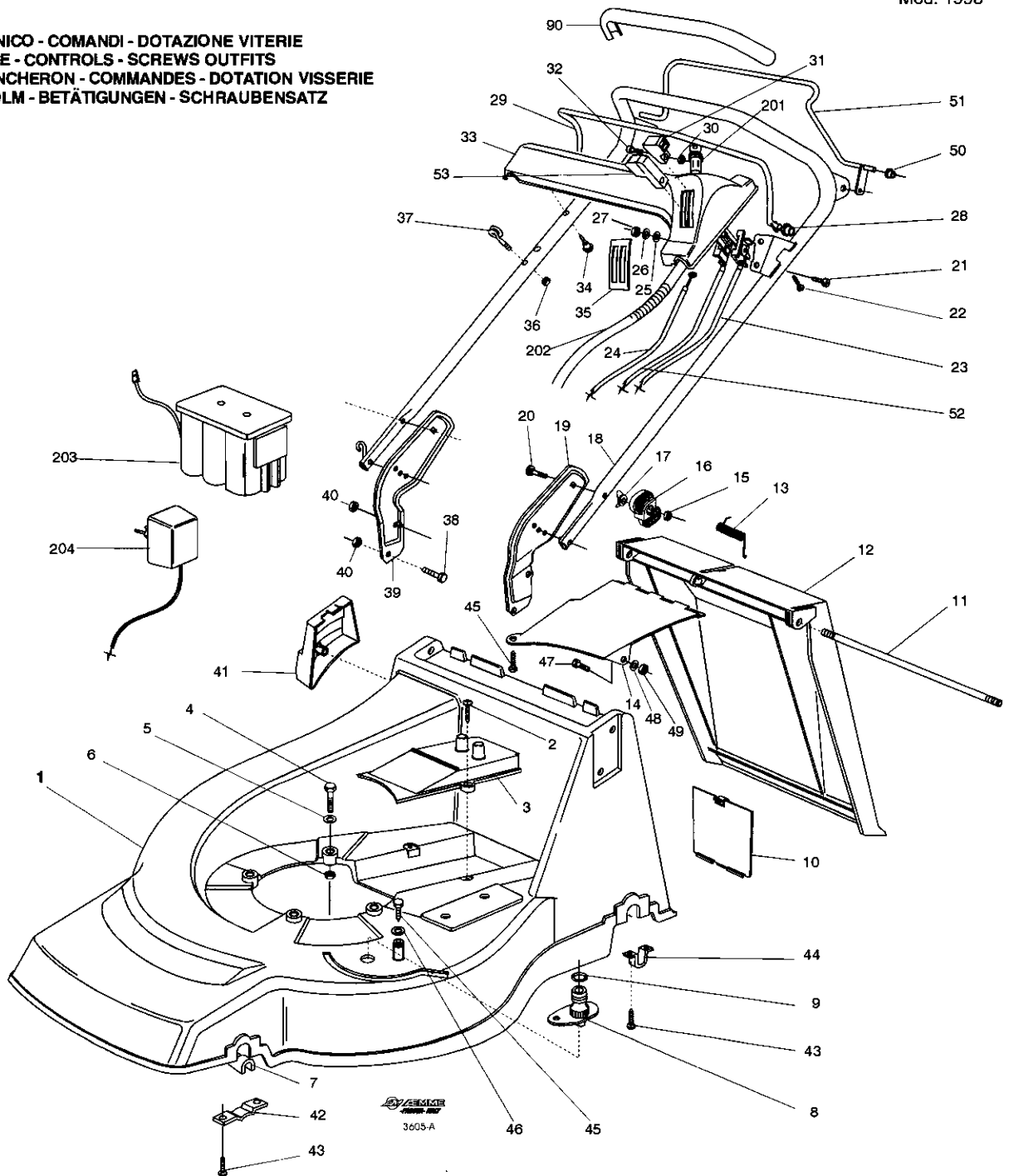
VISTE ESPLOSE
EXPLODED VIEWS

VUES ECLATEES
SPRENGZEICHNUNGEN

NP 534 TR 3S
NP 534 TR-E 3S

Mod. 1998

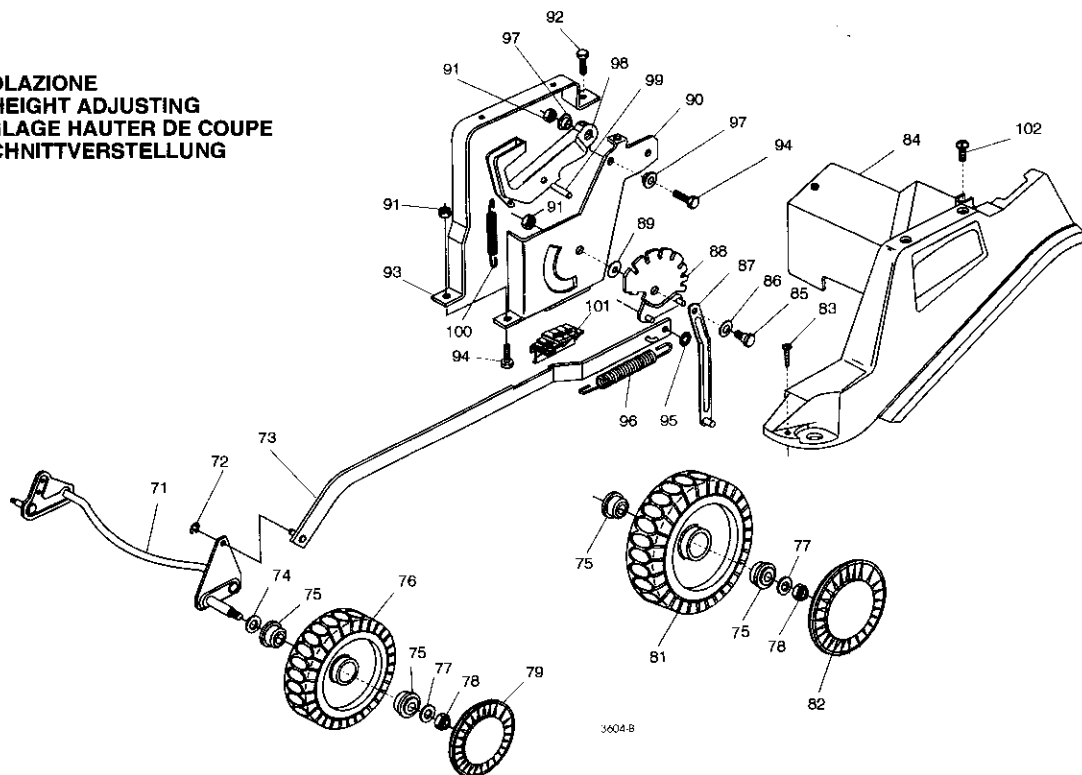
CHASSIS - MANICO - COMANDI - DOTAZIONE VITERIE
DECK - HANDLE - CONTROLS - SCREWS/OUTFITS
CHÂSSIS - MANCHERON - COMMANDES - DOTATION VISSERIE
GEHÄUSE - HOLM - BETÄTIGUNGEN - SCHRAUBENSATZ



Pos. Nr.	Codice Code Kodex	Descrizione	Description	Description	Beschreibung	Q.tà Q.ty-Q.tè Menge
1	81001652/0	CHASSIS ROSSO	RED DECK	CHÂSSIS RDUGE	ROTES GEHÄUSE	1
-	81001654/0	CHASSIS GIALLO	YELLOW DECK	CHÂSSIS JAUNE	GELBES GEHÄUSE	1
-	81001656/0	CHASSIS VERDE	GREEN DECK	CHÂSSIS VERT	GRÜNES GEHÄUSE	1
2	12728522/0	VITE	SCREW	VIS	SCHRAUBE	2
3	22060181/1	CARTER CINGHIA	BELT PROTECTION	PRDTECTION COURROIRE	RIEMENSCHUTZ	1
4	12691800/0	VITE	SCREW	VIS	SCHRAUBE	3/2
-	12692080/0	VITE	SCREW	VIS	SCHRAUBE	0/1
5	12521350/0	RONDELLA	WASHER	RONDELLE	SCHEIBE	3
6	12155000/0	DADO	NUT	ECROU	MUTTER	3
7	22038400/1	BRONZINA	BUSH	DOUILLE	BUCHSE	2
8	22034000/0	ATTACCO ACQUA LAVAGGIO	WASHING CONNECTION	ATTAQUE LAVAGE	WASCHENVERBINDUNG	1
9	19035000/0	ANELLO OR	OR RING	BAGUE DR	RING OR	1
10	22595352/0	PORTINA CHIUSURA	INSPECTION DOOR	VOYANT DE VISITE	ABDECK PLATTE	1
11	22517856/0	PERNO	PIN	PIVOT	BOLZEN	1
12	22600023/2	PARASASSI	STONE-GUARD	PARE-PIERRES	PRALLBLECH	1
13	22450270/0	MOLLA	SPRING	RESSORT	FEDER	1

Pos. Nr.	Codice Code Kodex	Descrizione	Description	Description	Beschreibung Q.ty-Q.tè Menge	Q.tà
14	221D8205/0	CONVOGLIATORE	CONVEYOR	CONVOYEUR	KONVEYOR	1
15	122932DD/D	DADO	NUT	ECROU	MUTTER	2
16	223998D3/D	MANOPOLINA	KNOB	POIGNÉE	GRIFF	2
17	226800D6/1	RONDELLA	WASHER	RONDELLE	SCHEIBE	2
18	8100702B/0	MANICO	HANDLE	MANCHERON	HOLM	1
19	22778397/0	STAFFA SX	LEFT BRACKET	BRIDGE GAUCHE	LINKE PRATZE	1
20	1281912D/D	VITE	SCREW	VIS	SCHRAUBE	2
21	12788910/0	VITE	SCREW	VIS	SCHRAUBE	2
22	1272846D/D	VITE	SCREW	VIS	SCHRAUBE	1
23	81DD7091/D	ACCELERATORE (B&S)	TROTTLE (B&S)	ACCELERATEUR (B&S)	BESCHLEUNIGER (B&S)	1
—	81DD7092/D	ACCELERATORE (TECUMSEH-HONDA)	TROTTLE (TECUMSEH-HONDA)	ACCELERATEUR (TECUMSEH-HONDA)	BESCHLEUNIGER (TECUMSEH-HONDA)	1
24	81DD062B/D	CAVO FRENO MOTORE (HONDA)	THREAD MOTOR BRAKE (HONDA)	CABLE FREIN MOTEUR (HONDA)	MOTORBREMSEKABEL (HONDA)	1
—	81DD0629/1	CAVO FRENO MOTORE (TECUMSEH)	THREAD MOTOR BRAKE (TECUMSEH)	CABLE FREIN MOTEUR (TECUMSEH)	MOTORBREMSEKABEL (TECUMSEH)	1
—	81DD0634/D	CAVO FRENO MOTORE (B&S)	THREAD MOTOR BRAKE (B&S)	CABLE FREIN MOTEUR (B&S)	MOTORBREMSEKABEL (B&S)	1
25	12523020/0	RONDELLA	WASHER	RONDELLE	SCHEIBE	2
26	125815DD/D	RONDELLA	WASHER	RONDELLE	SCHEIBE	2
27	12291DD/D	DADO	NUT	ECROU	MUTTER	2
28	22041966/D	BUSSOLA	BUSH	DOUILLE	BUCHSE	2
29	81DD3291/2	LEVA	LEVER	LEVIER	HEBEL	1
30	12290800/0	DADO	NUT	ECROU	MUTTER	2
31	22399801/0	MANOPOLINA	KNOB	POIGNÉE	GRIFF	1
32	127263BB/D	VITE	SCREW	VIS	SCHRAUBE	2
33	2212015D/D	CRUSCOTTO ROSSO	RED DASH-BOARD	CONSOLE ROUGE	ROTE KONSOLE	1
—	2212014B/D	CRUSCOTTO GIALLO	YELLOW DASH-BOARD	CONSOLE JAUNE	GELBE KONSOLE	1
—	22120164/D	CRUSCOTTO NERO	BLACK DASH-BOARD	CONSOLE NOIRE	SCHWARZE KONSOLE	1
34	22943DD/D	VITE	SCREW	VIS	SCHRAUBE	1
35	14356797/D	ETICHETTA (TECUMSEN-HONDA)	LEBEL (TECUMSEN-HONDA)	ETIQUETTE (TECUMSEN-HONDA)	ETIKETTE (TECUMSEN-HONDA)	1
—	14356795/D	ETICHETTA (B&S)	LABEL (B&S)	ETIQUETTE (B&S)	ETIKETTE (B&S)	1
36	1215433D/D	DADO	NUT	ECROU	MUTTER	1
37	22430D9/0	MOLLA GUIDA	SPRING	RESSORT	FEDER	1
38	127933D1/D	VITE	SCREW	VIS	SCHRAUBE	2
39	22778396/D	STAFFA DX	RIGHT BRACKET	BRIDE DROITE	RECHTE PRATZE	1
40	121550DD/D	DADO	NUT	ECROU	MUTTER	1
41	22601001/0	PROTEZIONE	PROTECTION	PROTECTION	SCHUTZ	1
42	22545156/0	PIASTRINA	PLATE	PLAQUETTE	PLATTE	2
43	1273135D/D	VITE	SCREW	VIS	SCHRAUBE	8
44	22545152/0	PIASTRINA	PLATE	PLAQUETTE	PLATTE	2
45	127296DD/D	VITE	SCREW	VIS	SCHRAUBE	2
46	1252304D/D	RONDELLA	WASHER	RONDELLE	SCHEIBE	1
47	12789DD/D	VITE	SCREW	VIS	SCHRAUBE	2
48	1252302D/D	RONDELLA	WASHER	RDNDELLE	SCHEIBE	1
49	1215433D/D	DADO	NUT	ECROU	MUTTER	1
50	22041965/D	BUSSOLA	BUSH	DDUILLE	BUCHSE	2
51	81DD328B/1	LEVA TRAZIONE	DRIVING LEVER	LEVIER TRACTION	ANTRIEBHEBEL	1
52	81DD7099/D	COMANDO MARCE	SPEED DRIVE CONTROL	COMM. CHARGEMENT VITESSE	GÄNGESCHALTUNKABEL	1
53	223998D2/D	MANOPOLINA	KNDB	POIGNÉE	GRIFF	1
55	22291D5D/D	IMPUGNATURA MANICO NERA	BLACK HANDGRIP	PDIGNÉE NOIRE	SCHWARZER HANDGRIFF	1
—	22291D51/D	IMPUGNATURA MANICO ROSSA	RED HANDGRIP	POIGNÉE ROUGE	RÖTER HANDGRIFF	1
—	22291D52/D	IMPUGNATURA MANICO GIALLA	YELLOW HANDGRIP	POIGNÉE JAUNE	GELBER HANDGRIFF	1
	Varianti per avviamento elettrico		Parts of electric start électriques	Composants pour démarrage	Elektrostart Bestandteile	
201*	1845DD5D/D	INTERRUTTORE	SWITCH	INTERRUPTEUR	SCHALTER	1
202*	182D419D/2	CAVO AVVIAMENTO	START CABLE	CABLE DÉMARRAGE	START KABEL	1
203*	18120050/0	BATTERIA	BATTERY 12V-2.5AH	BATTERIE 12V-2.5AH	BATTERIE 12V-2.5AH	1
204*	182D411D/D	CARICABATTERIA	BATTERY CHARGER	CHARGEUR DE BATTERIE	LADGERÄT	1

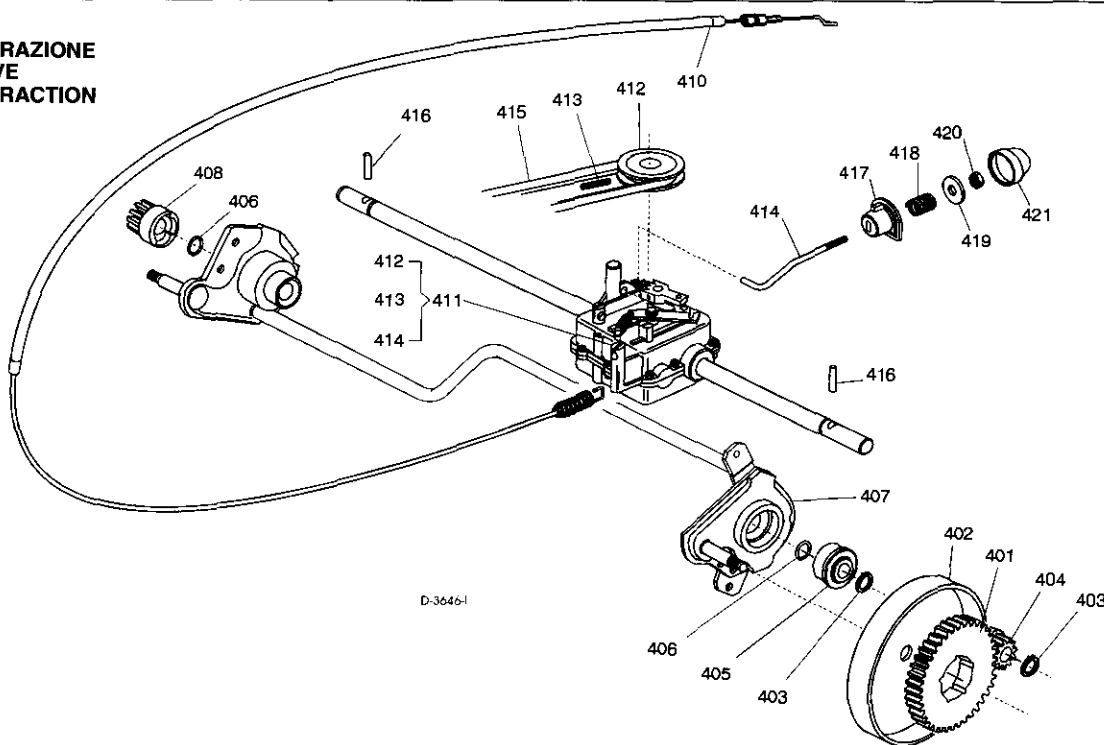
**RUOTE E REGOLAZIONE
WHEELS AND HEIGHT ADJUSTING
ROUES ET REGLAGE HAUTER DE COUPE
RÄDER UND SCHNITTVERSTELLUNG**



DOVENDO SOSTITUIRE IN GARANZIA LE PARTI CONTRASSEGNAE CON «*» RIVOLGERSI AL COSTRUTTORE DEL MOTORE.
IF YOU HAVE TO CHANGE THE PIECES INDICATED WITH «*» ON WARRANTY YOU ADDRESS TO AFTER SALES SERVICE OF ENGINE MANUFACTURER.
SI VOUS DEVEZ SUBSTITUER LES PIÉCESE INDIQUÉES AVEC «*» SOUS GARANTIE VOUS DEVEZ VOUS ADRESS AU SERVICE APRÈS VENTES DE LA MAISON CONSTRUCTRICE DU MOTEUR.
BITTE WENDEN SIE SICH BEI GARANTIEREPARATUREN DER MIT «*» GEKENNZEICHNETEN TEILE AN DIE KUNDENDIENSTSTELLE DES MOTORHERSTELLER.

Pos. Nr.	Codice Code Kodex	Descrizione	Description	Description	Beschreibung	Q.tà Q.ty-Q.tè Menge
71	81002801/0	ASSE RUOTE ANTERIORI	FRONT WHEELS AXLE	AXE ROUES AVANT	VORDERRADACHSE	1
72	12000930/0	ANELLO ELASTICO	ELASTIC RING	ANNEAU ELASTIQUE	ELASTISCHER RING	2
73	81001134/0	ASTA COMANDO	ADJUSTMENT ROD	TIGE COMMANDE	STELLSTAB	1
74	12530150/0	RONDELLA ELASTICA	ELASTIC WASHER	RONDELLE ELASTIQUE	ELASTISCHE SCHEIBE	2
75	22122200/0	CUSCINETTO	BEARING	COUSSINET	KUGELLAGER	8
76	81007317/0	RUOTA SCOLPITA Ø 170	KNOBBLY WHEEL Ø 170	ROUE SCULPTEE Ø 170	RAD. M. STOLLENPR. Ø 170	2
77	12521350/0	RONDELLA	WASHER	RONDELLE	SCHEIBE	4
78	12155000/0	DADO	NUT	ECROU	MUTTER	4
79	22110282/0	COPRIMOZZO BIANCO	WHITE HUB CAP	COUVRE-MOYEU BLANC	WEIßE RADKAPPE	2
-	22110288/0	COPRIMOZZO GIALLO	YELLOW HUB CAP	COUVRE-MOYEU JAUNE	GELBE RADKAPPE	2
-	22110290/1	COPRIMOZZO ROSSO	RED HUB CAP	COUVRE-MOYEU ROUGE	ROTE RADKAPPE	2
81	81007318/1	RUOTA SCOLPITA Ø 210	KNOBBLY WHEEL Ø 210	RDUE SCULPTEE Ø 210	RAD. M. STOLLENPR. Ø 210	2
82	22110281/0	COPRIMOZZO BIANCO	WHITE HUB CAP	COUVRE-MOYEU BLANC	WEIßE RADKAPPE	2
-	22110287/0	COPRIMOZZO GIALLO	YELLOW HUB CAP	COUVRE-MOYEU JAUNE	GELBE RADKAPPE	2
-	22110289/0	COPRIMOZZO ROSSO	RED HUB CAP	COUVRE-MOYEU ROUGE	ROTE RADKAPPE	2
83	12728519/0	VITE	SCREW	VIS	SCHRAUBE	3
84	22060144/0	CARTER REGOLAZIONE	ADJUSTMENT DECK	CHÂSSIS REGLAGE	VERSTELLUNGSGEHÄUSE	1
85	22529662/0	PERNO FULCRO	FULCRUM PIN	PIVOT	BOLZEN	1
86	22672151/0	RONDELLA	WASHER	RONDELLE	SCHEIBE	1
87	81001269/0	ASTA ASSE POSTERIORE	ROD REAR AXLE	BARRE AXE POSTERIEUR	HINTERACHSESTAB	1
88	81000479/0	SETTORE DI REGOLAZIONE	ADJUSTMENT SECTOR	SECTEUR REGLAGE	VERSTELLUNGSEKTOR	1
89	22672152/0	RONDELLA	WASHER	RONDELLE	SCHEIBE	1
90	22785109/0	SUPPORTO REGOLAZIONE	SUPPORT	SUPPORT REGLAGE	VERSTELLUNGHALTER	1
91	12293201/0	DADO	NUT	ECROU	MUTTER	4
92	12729600/0	VITE	SCREW	VIS	SCHRAUBE	1
93	22785113/0	SUPPORTO MANIGLIA	HANDLE SUPPORT	SUPPORT POIGNÉE	GRIFFHALTER	1
94	12793301/0	VITE	SCREW	VIS	SCHRAUBE	3
95	12604899/0	ANELLO ELASTICO	ELASTIC RING	ANNEAU ELASTIQUE	ELASTISCHER RING	2
96	22446180/0	MOLLA	SPRING	RESSORT	FEDER	1
97	25038002/0	BUSSOLA	BUSH	DOUILLE	BUCHSE	2
98	22393611/1	MANIGLIA	HANDLE	POIGNÉE	GRIF	1
99	12622640/0	SPINA	PIN	GOUPILLE	STIFT	1
100	22446175/0	MOLLA	SPRING	RESSORT	FEDER	1
101	22570200/0	PLACCHETTA POSIZIONI	POSITION PLATE	PLAQUETTE REGLAGE	VERSTELLUNGPLATTE	1
102	12728520/0	VITE	SCREW	VIS	SCHRAUBE	1

**GRUPPO TRAZIONE
REAR DRIVE
GROUPE TRACTION
ANTRIEB**

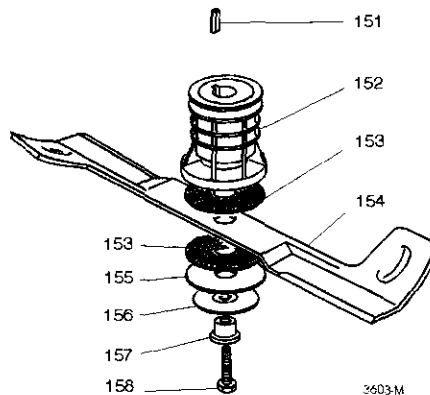


T-3646-I

402	81006846/0	PROTEZIONE RUOTE	WHEEL GUARD	PROTECTION ROUE	RÄDERSCHUTZ	2
403	12608600/0	SEEGER	SEEGER	SEEGER	SEEGER	4
404	22570120/0	PIGNONE SINISTRO	LEFT PINION	PIGNON GAUCHE	LINKES RITZEL	1
405	22122200/0	CUSCINETTO	BEARING	ROULEMENT	KUGELLAGER	2
406	12019900/0	ANELLO OR	OR RING	BAGUE OR	RING OR	2
407	81002808/0	ASSE RUOTE POSTERIORI	REAR WHEELS AXLE	AXE ROUES ARRIERE	HINTERRADACHSE	1
408	22570110/0	PIGNONE DESTRO	RIGHT PINION	PIGNON DROITE	RECHTES RITZEL	1
410	81001145/0	ASS. COMANDO TRAZIONE	REAR DRIVE ASS.Y	ENS. COMMANDE TRACTION	ANTRIEBKABEL	1
411	81008984/0	ASS. GRUPPO TRAZIONE	REAR DRIVE ASS.Y	ENS. GROUPE TRACTION	ANTRIEBSATZ	1
412	22601904/0	PULEGGIA	PULLEY	POULIE	RIEMENSCHIBE	1
413	12645705/0	SPINA	PIN	GOUPILLE	STIFT	1
414	22033281/0	ASTA REGOLAZIONE	ADJUSTMENT ROD	TIGE REGLAGE	VERSTELLUNGSTANGE	1
415	35064195/0	CINGHIA Z 33	BELT Z 33	COURROIRE Z 33	RIEMEN Z 33	1
416	22753000/0	SPINA	PIN	GOUPILLE	STIFT	2
417	22041957/0	BUSSOLA	BUSH	DOUILLE	BUCHSE	1
418	22450063/0	MOLLA	SPRING	RESSORT	FEDER	1
419	22680009/0	RONDELLA	WASHER	RONDELLE	SCHEIBE	1

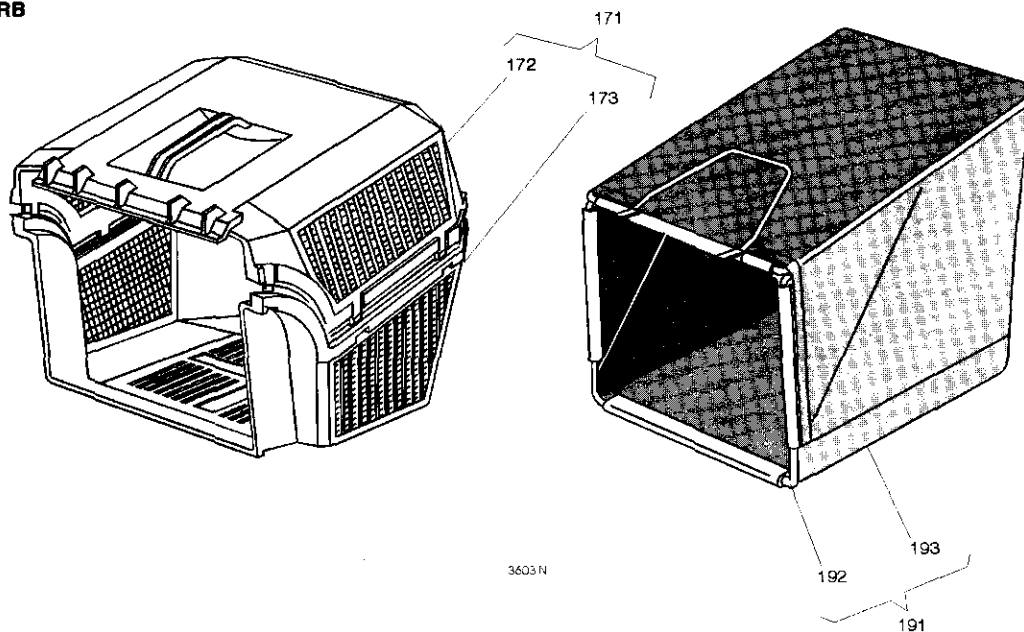
Pos. Nr.	Codice Code Descrizione Kodex	Description	Description	Beschreibung	Q.tà Q.ty-Q.tè Menge	
420	12154510/0	DADO	NUT	ECROU	MUTTER	1
421	22110230/0	TAPPO	CAP	BOUCHON	GUMMISTOPFEN	1

**GRUPPO COLTELLO
BLADE ASS.Y
GROUPE LAME
MESSERSATZ**



151	12139100/0	LINGUETTA	FEATHER	CLAVETTE	KEIL	2
152	22465611/0	MOZZO	HUB	MOYEU	NABE	1
153	22672110/1	RONDELLA FRIZIONE	CLUTCH WASHER	RONDELLE FRICTION	KUPPLUNGSCHEIBE	1
154	81004398/0	COLTELLO	BLADE	LAME	MESSER	1
155	12508120/0	MOLLA A TAZZA	CUPPED SPRING	RESSORT	TELLER FEDER	1
156	22672105/0	RONDELLA	WASHER	RONDELLE	SCHEIBE	1
157	22041940/0	BUSSOLA FRIZIONE	CLUTCH BUSH	DOUILLE FRICTION	KUPPLUNGSCHEIBE	1
158	12736825/0	VITE	SCREW	VIS	SCHRAUBE	1

**SACCO RACCOGLIERBA
GRASS-CATCHER
BAC DE RAMASSAGE
GRASFANGKORB**



171	96500000/0	SACCO COMPLETO	COMPLETE GRASS-BOX	BAC COMPLETE	KOMPLETER KORB	1
172	22486065/0	PARTE SUPER. SACCO	UPPER GRASS-BOX	PARTE SUPERIEURE SAC	OBERKORB	1
173	22486064/0	PARTE INFER. SACCO	LOWER GRASS-BOX	PARTE INFERIEURE SAC	UNTERKORB	1
191	96400000/0	ASS. SACCO TELA	CANVASS GRASSCATCHER ASS.Y	ENSEMBLE SAC EN TOILE	KOMPLETTER SACK	1
192	81006430/0	TELAIO	CHASSIS	CHASSIS	RAHMEN	1
193	81002124/1	TELA SACCO	FABRIC BOX	TOILE POUR SAC	TUCK FÜR SACK	1
-	81008610/0	DOTAZIONE VITERIA	SCREWS OUTFIT	DOTATION VISSERIE	SCHRAUBEN SATZ	1
-	81008498/0	DOTAZIONE CRUSCOTTO	DASH BOARD OUTFIT	DOTATION CONSOLE	KONSOLE SATZ	1