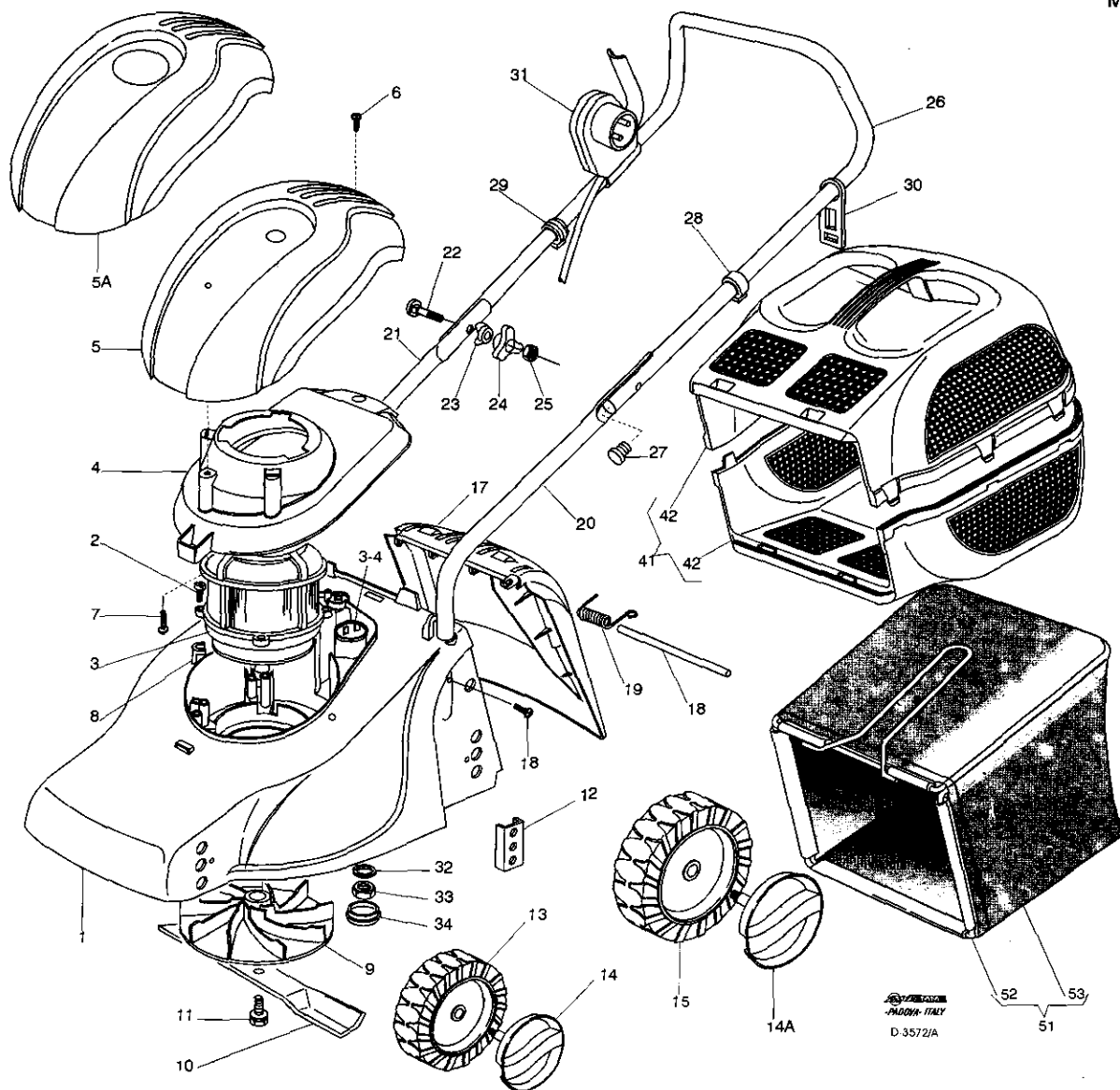


VISTE ESPLOSE  
EXPLODED VIEWS

VUES ECLATEES  
SPRENGZEICHNUNGEN

C350

Mod. 1998



T.3612/A

Pos. Nr.	Codice Kodex Code	Descrizione	Description	Description	Beschreibung	Q.tà Q.ty Q.tè Menge
1	81001560/0	CHASSIS ROSSO	RED DECK	CHÂSSIS ROUGE	ROTES GEHÄUSE	1
—	81001573/0	CHASSIS GIALLO	YELLOW DECK	CHÂSSIS JAUNE	GELBES GEHÄUSE	1
—	81001574/0	CHASSIS VERDE	GREEN DECK	CHÂSSIS VERT	GRÜNES GEHÄUSE	1
2	12735410/0	VITE	SCREW	VIS	SCHRAUBE	4
3	18563064/0	MOTORE IBMEI 1000W (230V)	IBMEI MOTOR 1000W (230V)	MOTEUR IBMEI 1000W (230V)	MOTOR IBMEI 1000W (230V)	1
—	18563066/0	MOTORE IBMEI 1000W (240V)	IBMEI MOTOR 1000W (240V)	MOTEUR IBMEI 1000W (240V)	MOTOR IBMEI 1000W (240V)	1
—	18563007/1	MOTORE RST 1000W (220-230V)	RS MOTOR 1000W (220-230V)	MOTEUR RST 1000W (220-230V)	MOTOR RST 1000W (220-230V)	1
3+4	18222034/0	CONDENSATORE 8µF	CONDENSER 8µF	CONDENSEUR 8µF	KONDENSATOR 8µF	1
4	22055050/1	SUP. CAPOTTINA	COVER SUPPORT	SUPPORT CAPOT	HAUBEHALTER	1
5	22055049/1	ASS. CAPOTTINA	COVER ASS. Y	ENS. CAPOT	KOMPLETTE HAUBE	1
5A	81002010/1	ASS. CAPDTTINA	COVER ASS. Y	ENS. CAPOT	KOMPLETTE HAUBE	1
6	12728680/0	VITE	SCREW	VIS	SCHRAUBE	1
7	12728450/0	VITE	SCREW	VIS	SCHRAUBE	1
8	22167700/0	DISTANZIALE	SPACER	ENTRETOISE	DISTANZRING	4
9	22465602/0	MOZZO	HUB	MOYEU	NABE	1
10	81004115/1	COLTELLO STANDARD	STANDARD BLADE	LAME STANDARD	STANDARD MESSER	1
—	81004116/0	COLTELLO ALETTATO	WINGED BLADE	LAME AILETTÉE	FLÜGELMESSER	1
11	81004352/0	VITE	SCREW	VIS	SCHRAUBE	1
12	22785087/1	SUPP. RUOTE	WHEELS SUPPORT	SUPPORT ROUE	RADHALTER	4
13	22686083/0	RUOTA Ø 130	WHEEL Ø 130	ROUE Ø 130	RAD Ø 130	2
14	81004357/0	COPRIMOZZO BIANCO	WHITE HUB CAP	COUVRE-MOYEU BLANC	WEIßE RADKAPPE	2
—	81004331/0	COPRIMOZZO GIALLO	YELLOW HUB CAP	COUVRE-MOYEU JAUNE	GELBE RADKAPPE	2

Pos. Nr.	Codice Kodex Code	Descrizione	Description	Description	Beschreibung	Q.tà Q.ty Q.tè Menge
—	81004333/0	COPRIMOZZO ROSSO	RED HUB CAP	COUVRE-MOYEU ROUGE	ROTE RADKAPPE	2
14A	81004326/0	COPRIMOZZO BIANCO	WHITE HUB CAP	COUVRE-MOYEU BLANC	WEIßE RADKAPPE	2
—	B1004327/0	COPRIMOZZO GIALLO	YELLOW HUB CAP	COUVRE-MOYEU JAUNE	GELBE RADKAPPE	2
—	81004328/0	COPRIMOZZO ROSSO	RED HUB CAP	COUVRE-MOYEU ROUGE	ROTE RADKAPPE	2
15	22686085/0	RUOTA Ø 160	WHEEL Ø 160	ROUE Ø 160	RAD Ø 160	2
16	12728450/0	VITE	SCREW	VIS	SCHRAUBE	2
17	22600055/0	PARASASSI	STONE-GUARD	PARE-PIERRES	PRALLBLECH	1
1B	22512530/0	PERNO	PIN	PIVOT	BOLZEN	1
19	22450250/0	MOLLA	SPRING	RESSORT	FEDER	1
20	B1006940/0	MANICO INF. SX	L. LOWER HANDLE	MANCHERON INF. G.	L. UNTERHOLM	1
21	81006939/0	MANICO INF. OX	R. LOWER HANDLE	MANCHERON INF. D.	R. UNTERHOLM	1
22	12B19120/0	VITE	SCREW	VIS	SCHRAUBE	2
23	22680006/1	RONOELLA	WASHER	RONDELLE	SCHLEIBE	2
24	22399900/0	MANOPOLINA	KNOB	POIGNÉE	GRIFF	2
25	12293200/0	OAOO	NUT	ECROU	MUTTER	2
26	81006941/2	PARTE SUP. MANICO	UPPER HANDLE	PARTIE SUP. MANCHERON	OBERRHOLM	1
27	18566112/0	TAPPO	CAP	BDUCHON	GUMMISTOPFEN	2
2B	22192151/0	FERMACAVO	FAIRLEAD	FIXATION CABLE	KABELBEFESTIGUNG	1
29	22192000/1	FASCETTA ANCORAGGIO	ANCHOR CLAMP	COLLIER ANCRAGE	BOWDENZUGHALTER	1
30	22195101/1	FERMACAVO	FAIRLEAD	FIXATION CABLE	KABELBEFESTIGUNG	1
31	—	SALVAMOTORE M.M.	OEAD SWITCH HANO M.M.	INT. MAIN MORTE M.M.	TOT MANSCHALTER M.M.	1
—	18710629/0	5A 602 MS (1000W IBMEI)	5A 602 MS (1000W IBMEI)	5A 602 MS (1000W IBMEI)	5A 602 MS (1000W IBMEI)	1
—	18710630/0	5A 603 MS (1000W IBMEI)	5A 603 MS (1000W IBMEI)	5A 603 MS (1000W IBMEI)	5A 603 MS (1000W IBMEI)	1
—	18710631/0	SOLO PER SVIZZERA	ONLY FOR SWITZERLAND	SEULEMENT POUR LA SUISSE	NUR FÜR SCHWEIZ	1
—	18710611/1	6,5A 602 MS (1000W RST)	M.M 6,5A 602 MS (1000W RST)	M.M 6,5A 602 MS (1000W RST)	M.M 6,5A 602 MS (1000W RST)	1
—	18710625/1	6,5A 603 MS (1000W RST)	M.M 6,5A 603 MS (1000W RST)	M.M 6,5A 603 MS (1000W RST)	M.M 6,5A 603 MS (1000W RST)	1
—	18710626/1	SENZA PROTEZIONE TERMICA	601 MS WITHOUT OVERLOAD	601 MS SANS PROTECTION	601 MS OHNE THERMISCHER	1
—	18710627/0	SENZA PROTEZIONE TERMICA	603 MS WITHOUT OVERLOAD	603 MS SANS PROTECTION	603 MS OHNE THERMISCHER	1
32	12540260/0	GROWER	GROWER	GROWER	FEDERRING	1
33	12293200/0	OAOO	NUT	ECROU	MUTTER	1
34	22110275/0	TAPPO	CAP	BOUCHON	GUMMISTOPFEN	1
41	97350000/0	SACCO COMPLETO	COMPLETE GRASS-BOX	BAC COMPLET	KOMPLETTER KORB	1
42	22486048/0	PARTE INF. SUP. SACCO	UPPER. LOWER GRASS-BOX	PARTIE SUP.-INF. SAC	OBER-UNTERKORB	2