

TD 430

TD 480

TD 430 S

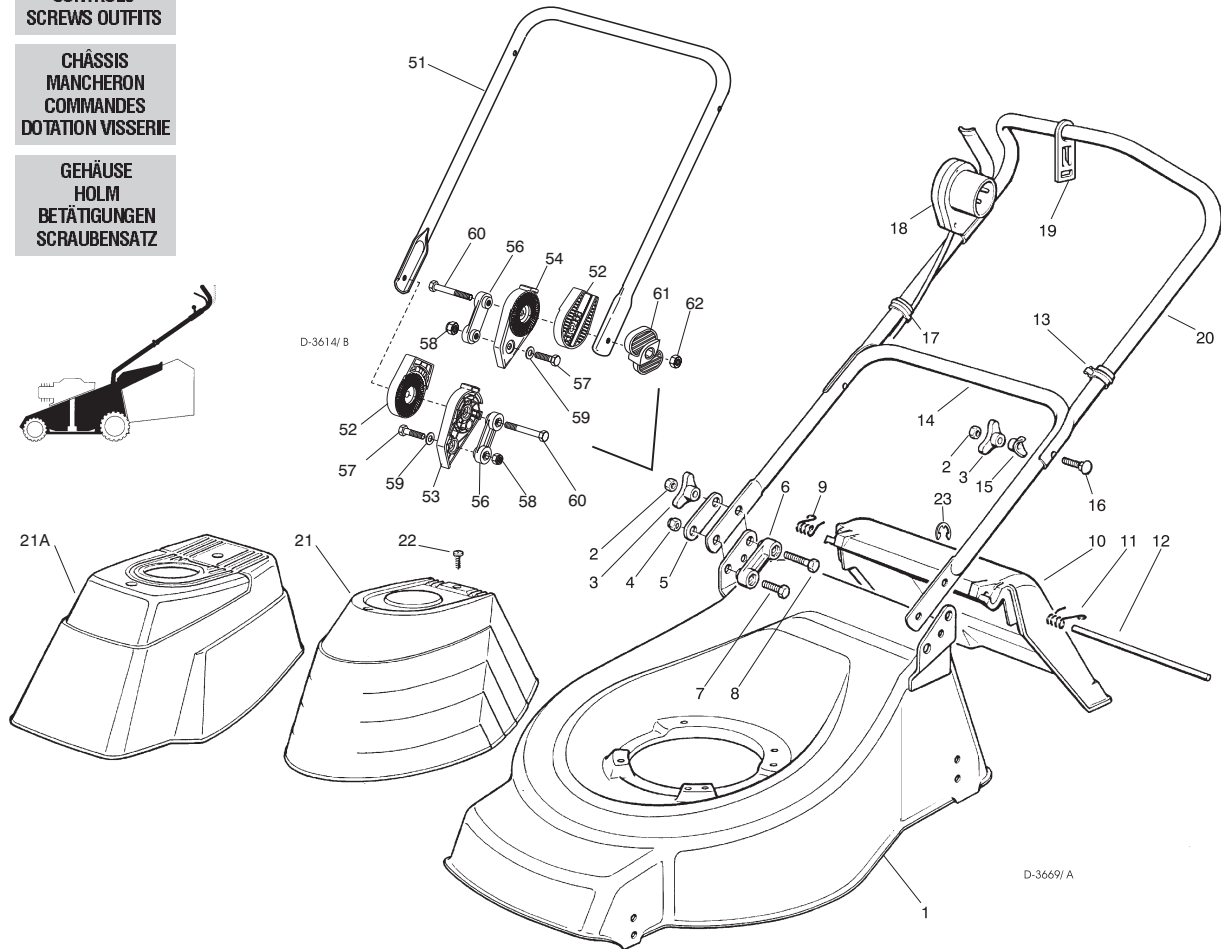
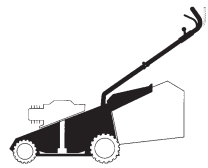
SICHER IST DAS:
DAS ORIGINAL

**CHASSIS
MANICO
COMANDI
DOTAZIONE VITERIE**

**DECK
HANDLE
CONTROLS
SCREWS OUTFITS**

**CHÂSSIS
MANCHERON
COMMANDES
DOTATION VISSERIE**

**GEHÄUSE
HOLM
BETÄTIGUNGEN
SCRAUBENSATZ**



SPARE PARTS CATALOGUE

ERSATZTEILKATALOG

GB

D

**CATALOGO DELLE PARTI
DI RICAMBIO**

**CATALOGUE DES PIÈCES
DE RECHANGE**

I

F

T-3669/ A

Pos. Nr.	Code Code Kodex	Q.tà Q.ty-Q.tè Menge	Descrizione	Description	Description	Beschreibung
1			CHASSIS	DECK	CHÂSSIS	GEHÄUSE
—	81001338/ 0	1	ROSSO TD 430	RED TD 430	ROUGE TD 430	ROTES TD 430
—	81001348/ 0	1	GIALLO TD 430	YELLOW TD 430	JAUNE TD430	GELBES TD 430
—	81001370/ 0	1	VERDE TD 430	GREEN TD 430	VERT TD 430	GRÜNES TD 430
—	81001339/ 0	1	ROSSO TD 480	RED TDL 480	ROUGE TD 480	ROTES TD 480
—	81001350/ 0	1	GIALLO TD 480	YELLOW TD 480	JAUNE TD 480	GELBES TD 480
—	81001372/ 0	1	VERDE TD 480	GREEN TD 480	VERT TD 480	GRÜNES TD 480
2	12293200/ 0	4	DADO	NUT	ECROU	MUTTER
3	22399900/ 0	4	MANOPOLINA	KNOB	POIGNÉE	GRIFF
4	12155000/ 0	2	DADO	NUT	ECROU	MUTTER
5	22551574/ 0	2	PIASTRINA ESTERNA	OUTSIDE PLAQUE	PLAQUETTE EXTERNE	INNERE PLATTE
6	22551575/ 0	2	PIASTRINA INTERNA	INSIDE PLAQUE	PLAQUETTE INTERNE	INNERE PLATTE
7	12793300/ 0	2	VITE	SCREW	VIS	SCHRAUBE
8	12691115/ 0	2	VITE	SCREW	VIS	SCHRAUBE
9	22450410/ 1	1	MOLLA DX	RIGHT SPRING	RESSORT DROITE	RECHTE FEDER
10	22600046/ 1	1	PARASASSI	STONE-GUARD	PARE-PIERRES	PRALLBLECH
11	22450420/ 1	1	MOLLA SX	LEFT SPRING	RESSORT GAUCHE	LINKE FEDER
12	22517906/ 1	1	PERNO	PIN	PIVOT	BOLZEN
14	81006512/ 0	1	PARTIE INF. MANICO	LOWER HANDLE	PARTIE INF. MANCHERON	UNTERHOLM
15	22680006/ 1	2	RONDELLA	WASHER	RONDELLE	SCHEIBE
16	12819201/ 0	2	VITE	SCREW	VIS	SCHRAUBE
17	22192000/ 1	1	FASCETTA ANCORAGGIO	ANCHOR CLAMP	COLLIER ANCRAGE	BOWDENZUGHALTER
18			SALVAMOTORE M.M.	DEAD HAND SWITCH	INT. MAIN MORTE	TOT MANSCHALTER
—	18710562/ 0	1	8,5 A 602 MS (1300W IBMEI/ RST)	8,5 A 602 MS (1300W IBMEI/ RST)	8,5 A 602 MS (1300W IBMEI/ RST)	8,5 A 602 MS (1300W IBMEI/ RST)





Pos. Nr.	Codice Code Kodex	Q.tà Q.ty-Q.tè Menge	Descrizione	Description	Description	Beschreibung
—	18710563/0	1	8,5 A 603 MS (1300W IBMEI/ RST)	8,5 A 607 MS (1300W IBMEI/ RST)	8,5 A 607 MS (1300W IBMEI/ RST)	8,5 A 607 MS (1300W IBMEI/ RST)
		1	SOLO PER SVIZZERA	ONLY FOR SWITZERLAND	SEULEMENT POUR LA SUISSE	NUR FÜR SCHWEIZ
—	18710624/1	1	8,5 A 607 MS (1300W IBMEI)	8,5 A 607 MS (1300W IBMEI)	8,5 A 607 MS (1300W IBMEI)	8,5 A 607 MS (1300W IBMEI)
—	18710623/0	1	9,5 A 607 MS (1600W)	9,5 A 607 MS (1600W)	9,5 A 607 MS (1600W)	9,5 A 607 MS (1600W)
—	18710604/0	1	10 A 602 MS (1600W IBMEI/ RST)	10 A 602 MS (1600W IBMEI/ RST)	10 A 602 MS (1600W IBMEI/ RST)	10 A 602 MS (1600W IBMEI/ RST)
—	18710572/0	1	10 A 603 MS (1600W IBMEI/ RST)	10 A 603 MS (1600W IBMEI/ RST)	10 A 603 MS (1600W IBMEI/ RST)	10 A 603 MS (1600W IBMEI/ RST)
			SOLO PER SVIZZERA	ONLY FOR SWITZERLAND	SEULEMENT POUR LA SUISSE	NUR FÜR SCHWEIZ
—	18710628/0	1	10 A 607 MS (1600W IBMEI)	10 A 607 MS (1600W IBMEI)	10 A 607 MS (1600W IBMEI)	10 A 607 MS (1600W IBMEI)
19	22195101/0	1	FERMACAVO	FAIR LEAD	FIXATION CABLE	KABELBEFESTIGUNG
20	81007017/1	1	PARTE SUP. MANICO	PARTIE SUP. MANICHO	PARTIE SUP. MANCHERON	OBERHOLM
21	81002057/0	1	ASSIEME CAPOTTINA	COVER ASS.Y	ENS. CAPOT	KOMPLETTE HAUBE
21A	81002059/0	1	ASSIEME CAPOTTINA	COVER ASS.Y	ENS. CAPOT	KOMPLETTE HAUBE
22	12728680/0	2	VITE	SCREW	VIS	SCHRAUBE
23	12000930/0	1	ANELLO ELASTICO	SNAP RING	ANNEAU RESSORT	SPRENGRING
—	81008596/1	1	DOTAZ. VITERIA	SCREWS OUTFIT	DOTATION VISSERIE	SCHRAUBEN SATZ

	VARIANTE REGOLAZIONE MANICO	HANDLE ADJUSTMENT VARIANT	VARIANTE REGLAGE POIGNEE	GRIFFEINSTELLVARIANTE		
51	81006510/0	1	PARTE INFR. MANICO	LOWER HANDLE	PARTIE INF. MANCHERON	UNTERHOLM
52	22785081/0	2	SUPPORTO ESTERNO	EXTERNAL SUPPORT	SUPPORT EXTERNE	AUßERE HALTERUNG
53	22785082/0	1	SUPPORTO INTERNO DX	R. INTERNAL SUPPORT	SUPPORT INTERNE DROIT	INNERE HALTERUNG RECHTS
54	22785083/1	1	SUPPORTO INTERNO SX	L. INTERNAL SUPPORT	SUPPORT INTERNE GAUCHE	INNERE HALTERUNG LINKS
56	22551575/0	2	PIASTRINA INTERNA	INSIDE PLAQUE	PLAQUETTE INTERNE	INNERE PLATTE
57	12793701/0	2	VITE	SCREW	VIS	SCHRAUBE
58	12155000/0	2	DADO	NUT	ECROU	MUTTER
59	12521350/0	2	RONDELLA	WASHER	RONDELLE	SCHEIBE
60	12691810/0	2	VITE	SCREW	VIS	SCHRAUBE
61	22399803/0	2	MANOPOLINA	KNOB	POIGNÉE	GRIFF
62	12293202/0	2	DADO	NUT	ECROU	MUTTER
—	81008622/0	1	DOTAZ. VITERIA	SCREWS OUTFIT	DOTATION VISSERIE	SCHRAUBEN SATZ

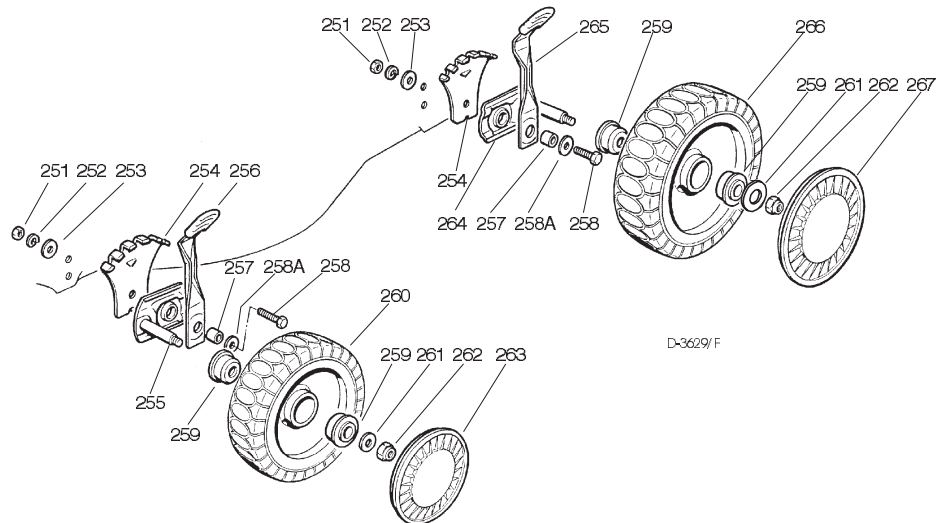
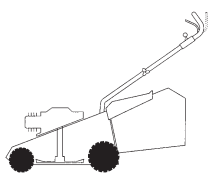
T-3614/B

RUOTE E REGOLAZIONE

WHEELS AND HEIGHT ADJUSTING

ROUES ET REGLAGE HAUTEUR DE COUPE

RÄDER UND SCHNITTHÖHEVERSTELLUNG



D-3629/F

T-3629/F

251	12293200/0	4	DADO	NUT	ECROU	MUTTER
252	12583500/0	4	GROWER	GROWER	GROWER	FEDERRING
253	12523070/0	4	RONDELLA	WASHER	RONDELLE	SCHEIBE
254	22735547/0	4	SETTORE REGOLAZIONE	ADJUSTMENT SECTOR	SECTEUR REGLAGE	VERSTELLUNGSEKTOR
255	81005082/0	2	SUPPORTO RUOTA	WHEEL SUPPORT	SUPPORT ROUE	RADHALTER
256	81003285/0	2	LEVA REGOLAZIONE	ADJUSTMENT LEVER	LEVIER REGLAGE	VERSTELLUNGHEBEL
257	22171001/0	4	DISTANZIALE	SPACER	ENTRETROISE	DISTANZRING
258	12793701/0	4	VITE	SCREW	VIS	SCHRAUBE
258A	12521350/0	4	RONDELLA	WASHER	RONDELLE	SCHEIBE
259	22034508/0	8	BOCCOLA	BUSH	DOUILLE	BUCHSE
260	81007317/0	2	RUOTA SCOLPITA Ø 170	KNOBBLY WHEEL Ø 170	ROUE SCULPTEE Ø 170	RAD M. STOLLENPR. Ø 170
261	12523060/0	4	RONDELLA	WASHER	RONDELLE	SCHEIBE
262	12155000/0	4	DADO	NUT	ECROU	MUTTER
263	—	—	COPRIMOZZO	HUB CAP	COUVRE-MOYEU	RADKAPPE
—	22110282/0	2	BIANCO	WHITE	BLANC	WEIß
—	22110288/0	2	GIALLO	YELLOW	JAUNE	GELB
—	22110290/0	2	ROSSO	RED	ROUGE	ROTE





T-3665/ F

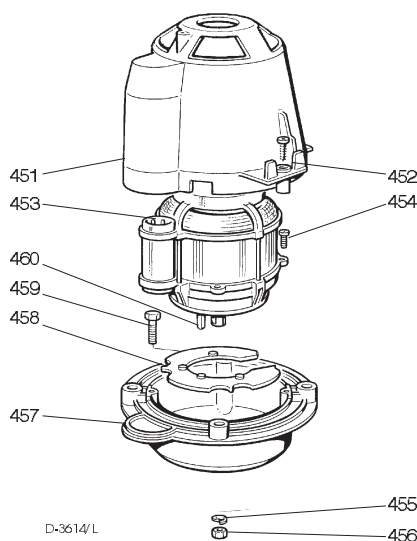
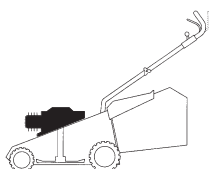
Pos. Nr.	Codice Code Kodex	Q.tà Q.ty-Q.tè Menge	Descrizione	Description	Description	Beschreibung
264	81005084/ 0	2	SUPPORTO RUOTA	WHEEL SUPPORT	SUPPORT ROUE	RADHALTER
265	81003286/ 0	2	LEVA REGOLAZIONE	ADJUSTMENT LEVER	LEVIER REGLAGE	VERSTELLUNGHEBEL
266	81007318/ 1	2	RUOTA SCOLPITA Ø 210	KNOBBLY WHEEL Ø 210	ROUE SCULPTEE Ø 210	RAD M. STOLLENPR. Ø 210
267	—	—	COPRIMOZZO	HUB CAP	COUVRE-MOYEU	RADKAPPE
—	22110281/ 0	2	BIANCO	WHITE	BLANC	WEIßE
—	22110287/ 0	2	GIALLO	YELLOW	JAUNE	GELB
—	22110289/ 0	2	ROSSO	RED	ROUGE	ROTE

GRUPPO MOTORE ELETTRICO

MOTOR ASS.Y

MOTEUR ELECTRIQUE

ELEKTROMOTOR



D-3614/ L

T-3614/ L

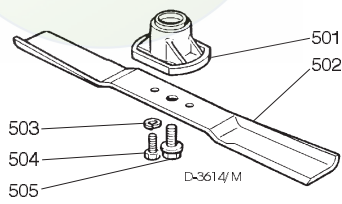
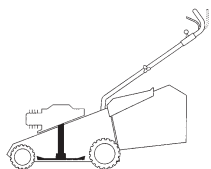
451	22785061/ 0	1	SUPPORTO CAPOTTINA	COVER SUPPORT	SUPPORT CAPOT	HAUBEHALTER
452	12728710/ 0	4	VITE	SCREW	VIS	SCHRAUBE
453	—	—	MOTORE	MOTOR	MOTEUR	MOTOR
—	18563068/ 1	1	IBMEI 1300W (230V)	IBMEI 1300W (230V)	IBMEI 1300W (230V)	IBMEI 1300W (230V)
—	18563008/ 0	1	RST 1300W (220-230V)	RST 1300W (220-230V)	RST 1300W (220-230V)	RST 1300W (220-230V)
—	18563069/ 1	1	IBMEI 1300W (240V)	IBMEI 1300W (240V)	IBMEI 1300W (240V)	IBMEI 1300W (240V)
—	18563061/ 2	1	IBMEI 1600W (230V)	IBMEI 1600W (230V)	IBMEI 1600W (230V)	IBMEI 1600W (230V)
—	18563009/ 0	1	RST 1600W (230V)	RST 1600W (230V)	RST 1600W (230V)	RST 1600W (230V)
—	18563047/ 2	1	IBMEI 1600W (240V)	IBMEI 1600W (240V)	IBMEI 1600W (240V)	IBMEI 1600W (240V)
453A	—	—	VENTOLA	FAN	VENTILATEUR	LÜFTER
—	18740049/ 0	1	PER MOTORE IBMEI	IBMEI MOTOR	MOTEUR IBMEI	IBMEI MOTOR
—	18740051/ 0	1	PER MOTORE RST	RST MOTOR	MOTEUR RST	RST MOTOR
453B	—	—	CONDENSATORE	CONDENSER	CONDENSEUR	KONDENSATOR
—	18222037/ 0	1	16 µF	16 µF	16 µF	16 µF
—	18222038/ 0	1	20 µF	20 µF	20 µF	20 µF
454	12735410/ 0	4	VITE	SCREW	VIS	SCHRAUBE
455	12583500/ 0	4	GROWER	GROWER	GROWER	FEDERRING
456	12293200/ 0	4	DADO	NUT	ECROU	MUTTER
457	22207211/ 3	1	FLANGIA	FLANGE	BRIDE	FLANSCH
458	22720360/ 1	1	SCHERMO VENTILAZIONE	VENTILATION SCREEN	ECRAN VENTILATION	LÜFTUNGSSCHIRM
459	12793700/ 0	4	VITE	SCREW	VIS	SCHRAUBE
460	12139440/ 0	1	LINGUETTA	FEATHER	CLAVETTE	KEIL





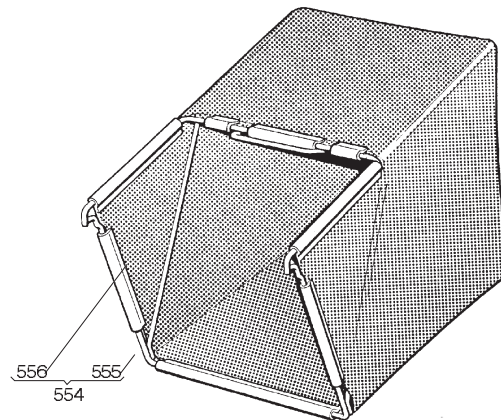
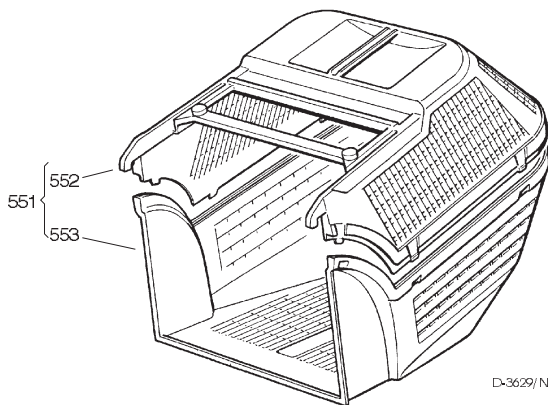
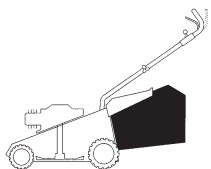
Pos. Nr.	Codice Code Kodex	Q.tà Q.ty-Q.tè Menge	Descrizione	Description	Description	Beschreibung
----------	-------------------	----------------------	-------------	-------------	-------------	--------------

- GRUPPO COLTELLO
- BLADE ASS.Y
- GROUPE LAME
- MESSERSATZ



T-3661/ M	501	22463186/ 2	1	MOZZO	HUB	MOYEU	NABE
	502	81004341/ 2	1	COLTELLO STANDARD 41 cm.	STANDARD BLADE 41 cm.	LAME STANDARD 41 cm.	STANDARD MESSER 41 cm.
	—	81004396/ 0	1	COLTELLO ALETTATO 41 cm.	WINGED BLADE 41 cm.	LAME AILETTÉE 41 cm.	FLÜGELMESSER 41 cm.
	—	81004346/ 2	1	COLTELLO STANDARD 46 cm.	STANDARD BLADE 46 cm.	LAME STANDARD 46 cm.	STANDARD MESSER 46 cm.
	—	81004397/ 0	1	COLTELLO ALETTATO 46 cm.	WINGED BLADE 46 cm.	LAME AILETTÉE 46 cm.	FLÜGELMESSER 46 cm.
	503	12583500/ 0	2	GROWER	GROWER	GROWER	FEDERRING
	504	12793101/ 0	2	VITE	SCREW	VIS	SCHRAUBE
505	81004352/ 0	1	VITE	SCREW	VIS	SCHRAUBE	

- SACCO RACCOGLIERBA
- GRASS-CATCHER
- BAC DE RAMASSAGE
- GRASFANGKORB



T-3629/ N	551	94004000/ 1	1	SACCO COMPLETO	COMPLETE GRASS-BOX	SAC COMPLET	KOMPLETTER KORB
	552	22486073/ 0	1	PORTE SUP. SACCO	UPPER GRASS BOX	PARTIE SUP. SAC	OBERKORB
	553	22486074/ 0	1	PORTE INF. SACCO	LOWER GRASS BOX	PARTIE INF. SAC	UNTERKORB
	554	94005000/ 0	1	ASS. SACCO IN TELA	CANVASS GRASSCATCHER	ENSEMBLE SAC EN TOILE	KOMPLETTER SACK
	555	81006418/ 0	1	TELAIO	CHASSIS	CHÂSSIS	RAHMEN
	556	81002105/ 2	1	TELA SACCO	FABRIC BOX	TOILE POUR SAC	TUCK FÜR SACK