

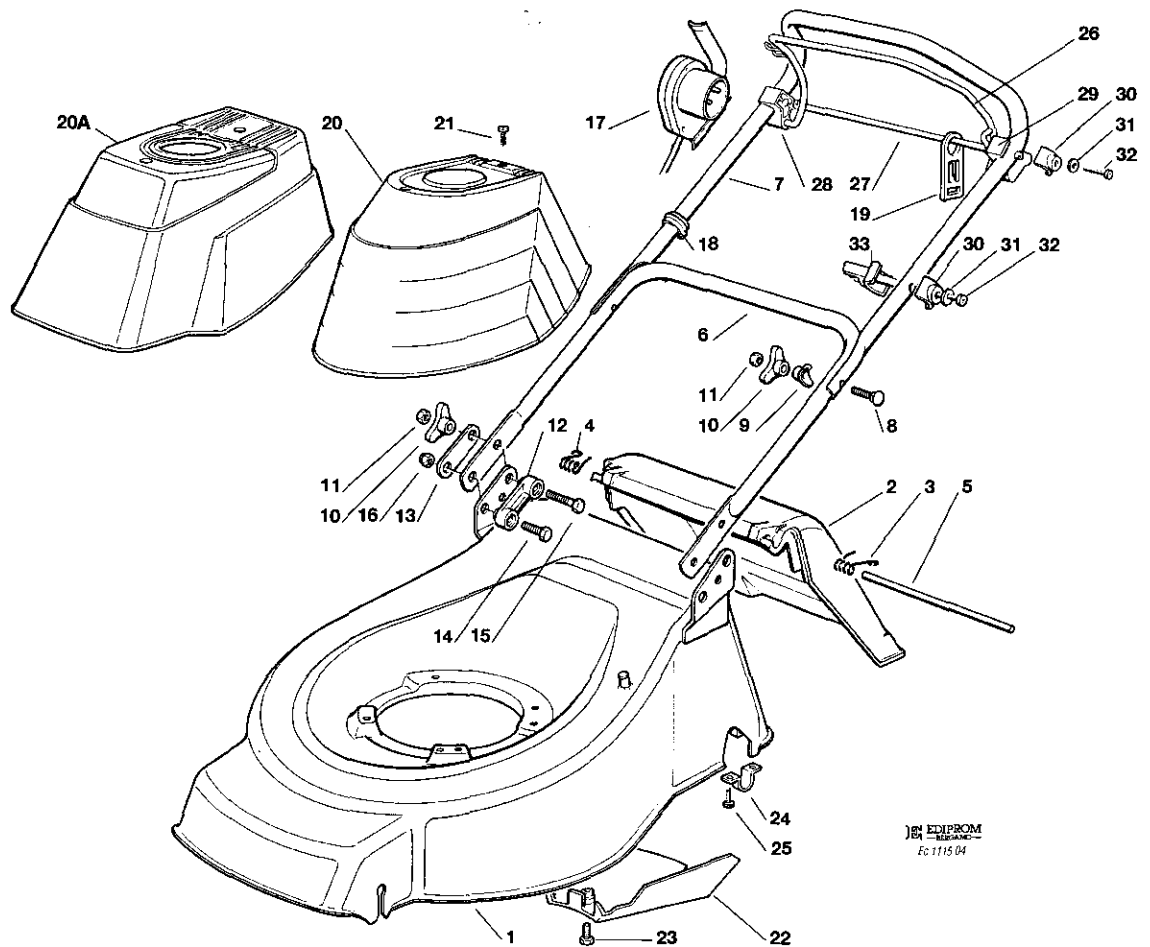
VISTE ESPLOSE
EXPLODED VIEWS

VUES ECLATEES
SPRENGZEICHNUNGEN

TDL 430 TR

CHASSIS - MANICO - COMANDI
DECK - HANDLE - CONTROLS
CHASSIS - MANCHERON - COMMANDES
GEHÄUSE - HOLM - BETÄTIGUNGEN

Mod. 1996



EDIPROM
Ec 1115 04

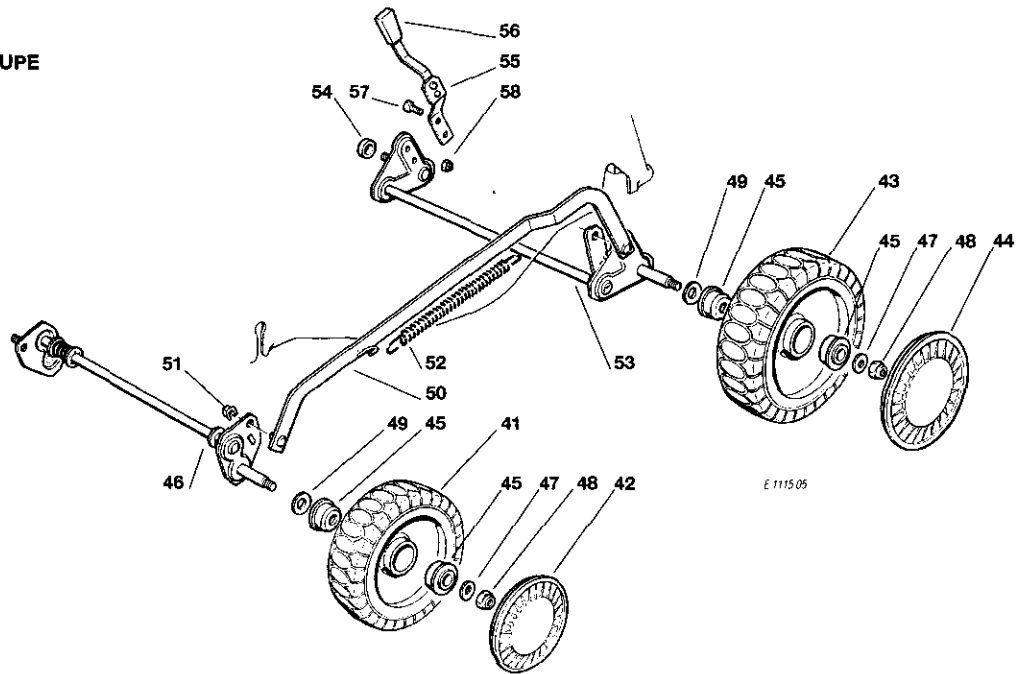
Pos. Nr.	Codice Code Kodex	Descrizione	Description	Description	Beschreibung	Q.tà Q.ty-Q.tè Menge
1	81001376/0	CHASSIS VERDE	GREEN DECK	CHASSIS VERT	GRÜN GEHÄUSE	1
-	81001354/0	CHASSIS GIALLO	YELLOW DECK	CHASSIS JAUNE	GELB GEHÄUSE	1
-	81001347/0	CHASSIS ROSSO	RED DECK	CHASSIS ROUGE	ROT GEHÄUSE	1
2	22600046/1	PARASASSI	STONE-GUARD	PARE-PIERRES	PRALLBLECH	1
3	22450420/1	MOLLA SINISTRA	LEFT SPRING	RESSORT GAUCHE	LINK FEDER	1
4	22450410/1	MOLLA DESTRA	RIGHT SPRING	RESSORT DROITE	RECHTE FEDER	1
5	22517906/0	PERNO	PIN	PIVOT	BOLZEN	1
6	81006512/0	PORTE INFERIORE MANICO	LOWER HANDLE	PARTIE INF. MANCHERON	HOLMUNTERTEIL	1
7	81006997/1	PORTE SUPERIORE MANICO	UPPER HANDLE	PARTIE SUP. MANCHERON	HOLMOBERTEIL	1
8	12819201/0	VITE	SCREW	VIS	SCHRAUBE	2
9	22680006/1	RONDELLA	WASHER	RONDELLE	SCHEIBE	2
10	22399900/0	MANOPOLINA	KNOB	POIGNEE	GRIFT	4
11	12293200/0	DADO	NUT	ECROU	MUTTER	4
12	22551575/0	PIASTRINA INTERNA	INSIDE PLAQUE	PLAQUETTE INTERNE	ISOLIERPLATTE	2
13	22551574/0	PIASTRINA ESTERNA	OUTSIDE PLAQUE	PLAQUETTE EXTERNE	ISOLIERPLATTE	2
14	12793300/0	VITE	SCREW	VIS	SCHRAUBE	2
15	12691115/0	VITE	SCREW	VIS	SCHRAUBE	2
16	12155000/0	DADO	NUT	ECROU	MUTTER	2
17	18710603/0	SALVAMOTORE M.M. 11A 602 MS (1600W)	DEAD HAND SWITCH 11A 602 MS (1600W)	INT. MAIN MORTE 11A 602 MS (1600W)	TOT MANSCHALTER 11A 602 MS (1600W)	1
18	22192000/1	FASCETTA ANCORAGGIO	ANCHOR CLAMP	COLLIER ANCRAGE	BOWDENZUGHALTER	2
19	22195101/1	FERMACAVO	FAIR LEAD	FIXATION CABLE	KABELBEFESTIGUNG	1
20	81002057/0	CAPOTTINA	COVER	CAPOT	HAUSE	1
20A	81002059/0	CAPOTTINA	COVER	CAPOT	HAUSE	1
21	12728680/0	VITE	SCREW	VIS	SCHRAUBE	2
22	22060191/0	CARTER	DECK	CHASSIS	RAHMEN	1

CN 71503554/0

Printed in Italy

Pos. Nr.	Codice Code Kodex	Descrizione	Description	Description	Beschreibung	Q.tà Q.ty-Q.tè Menge
23	12727791/0	VITE	SCREW	VIS	SCHRAUBE	1
24	22545152/0	PIASTRINA	PLATE	PLAQUETTE	PLATTE	2
25	12788910/0	VITE	SCREW	VIS	SCHRAUBE	4
26	81001241/0	LEVA TRAZIONE	DRIVING LEVER	LEVIER TRACTION	ANTRIEBSHEBEL	1
27	22020320/0	AGGANCIO FERMACAVO	FAIR-LEAD BEARING	SUPPORT SERRE-CABLE	KABELHALTER	1
28	22806515/0	SUPPORTO DESTRO	RIGHT FIXED BEARING	SUPPDRT DROITE	RECHTER HALTER	1
29	22806516/0	SUPPORTO SINISTRO	LEFT FIXED BEARING	SUPPORT GAUCHE	LINKER HALTER	1
30	22680007/0	RONDELLA	WASCHER	RONDELLE	SCHEIBE	3
31	12523040/0	RONDELLA	WASCHER	RONDELLE	SCHEIBE	3
32	12735103/0	VITE	SCREW	VIS	SCHRAUBE	3
33	22806510/0	SUPPORTO REGISTRO	ADJUSTER BEARING	SUPPORT ECROU REG.	SCHRAUBENMUTTER	1

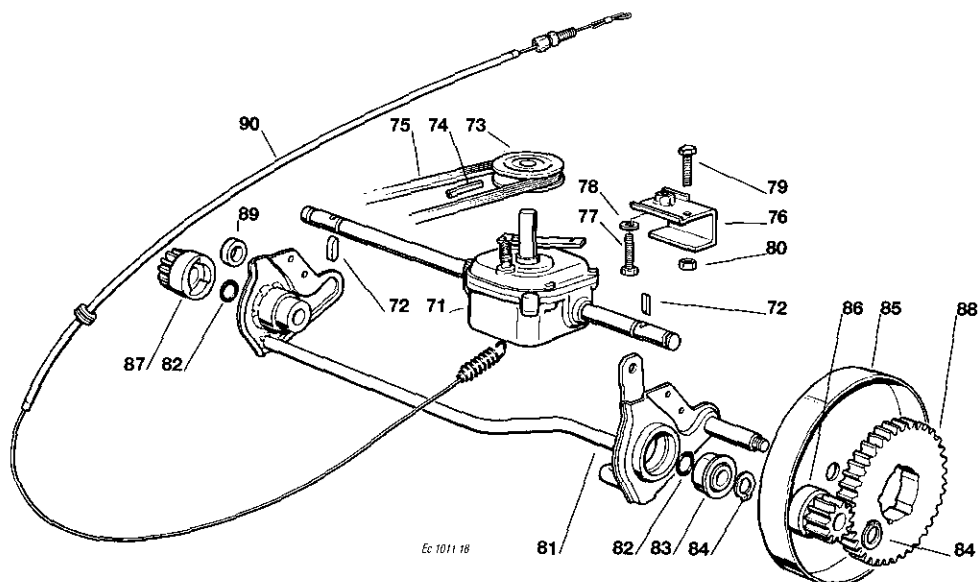
**RUOTE E REGOLAZIONE
WHEELS AND HEIGHT ADJUSTING
ROUES ET REGLAGE HAUTEUR DE COUPE
RAEDER UND SCHNITTVERSTELLUNG**



41	81007317/0	RUOTA SCOLPITA Ø 170	KNOBBLY WHEEL Ø 170	ROUE SCULPTEE Ø 170	RAD M. STOLLENPR. Ø 170	2
42	22110282/0	COPRIMOZZO BIANCO	WHITE HUB CAP	COUVRE-MOYEU BLANCHE	WEISSE RADKAPPE	2
-	22110288/0	COPRIMOZZO GIALLO	YELLOW HUB CAP	COUVRE-MOYEU JAUNE	GELB RADKAPPE	2
43	81007318/0	RUOTA SCOLPITA Ø 210	KNOBBLY WHEEL Ø 210	ROUE SCULPTEE Ø 210	RAD M. STOLLENPR. Ø 210	2
44	22110281/0	COPRIMOZZO BIANCO	WHITE HUB CAP	COUVRE-MOYEU BLANCHE	WEISSE RADKAPPE	2
-	22110287/0	COPRIMOZZO GIALLO	YELLOW HUB CAP	COUVRE-MOYEU JAUNE	GELB RADKAPPE	2
45	22122200/0	CUSCINETTO	BEARING	COUSSINET	KUGELLAGER	8
46	81001272/0	ASSE RUOTE ANTERIORE	FRONT WHEELS AXLE	AXE ROUES AVANT	VORDERRADACHSE	1
47	12521350/0	RONDELLA	WASHER	RONDELLE	SCHEIBE	4
48	12155000/0	DADO	NUT	ECROU	MUTTER	4
49	12530150/0	RONDELLA ELASTICA	ELASTIC WASHER	RONDELLE ELASTIQUE	ELASTISCHE SCHEIBE	4
50	81001275/0	ASTA COMANDO	ADJUSTMENT ROD	TIGE COMMANDE	STELLSTAB	1
51	12436050/0	PIASTRINA	PLATE	PLAQUETTE	PLÄTTCHEN	2
52	22446180/0	MOLLA	SPRING	RESSORT	FEDER	1
53	81001278/0	ASSE RUOTE POSTERIORE	REAR WHEELS AXLE	AXE ROUES ARRIERE	HINTERRADACHSE	1
54	22170800/0	DISTANZIALE	SPACER	ENTRETOISE	DOSTANZRING	1
55	81003279/1	LEVA REGOLAZIONE	ADJUSTMENT LEVER	LEVIER REGLAGE	VERSTELLUNG HEBEL	1
56	22397000/0	MANOPOLA	KNOB	POIGNEE	GRIF	1
57	12789000/0	VITE	SCREW	VIS	SCHRAUBE	2
58	12154330/0	DADO	NUT	ECROU	MUTTER	2

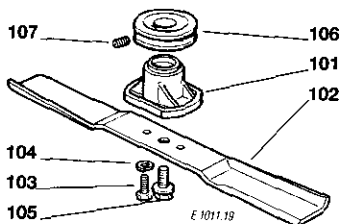
Pos. Nr.	Codice Code Kodex	Descrizione	Description	Description	Beschreibung	Q.tà Q.ty-Q.tè Menge
----------	-------------------	-------------	-------------	-------------	--------------	----------------------------

**GRUPPO TRAZIONE
REAR DRIVE
GROUPE TRACTION
ANTRIEB**



71	18652002/0	GRUPPO TRAZIONE (PLASTICA)	REAR DRIVE (PLASTIC)	GROUPE TRACTION (PLASTIQUE)	ANTRIEB (KUNSTOFF)	1
-	18652012/0	GRUPPO TRAZIONE (ALLUMINIO)	REAR DRIVE (ALUMINIUM)	GROUPE TRACTION (ALUMINIUM)	ANTRIEB (ALUMINIUM)	1
72	22328600/1	LINGUETTA TRASCINAMENTO	DRIVING KEY	CLAVETTE	MITNEHMERLAPPEN	2
73	22601904/0	PULEGGIA 4 KM/H	PULLEY 4 KM/H	POULIE 4 KM/H	RIEMENSCHLEIBE 4 KM/H	1
74	12645705/0	SPINA	PIN	GOUPILLE	STIFT	1
75	35063710/0	CINGHIA Z 25	BELT Z 25	COURROIE Z 25	RIEMEN Z 25	1
76	81005104/0	SUPPORTO TRAZIONE	SUPPORT	SUPPORT	ANTRIEBHALTER	1
77	12793600/0	VITE	SCREW	VIS	SCHRAUBE	1
78	12293200/0	DADO	NUT	ECROU	MUTTER	1
79	12689515/0	VITE	SCREW	VIS	SCHRAUBE	1
80	12154500/0	DADO	NUT	ECROU	MUTTER	1
81	81001252/1	ASSE RUOTE POSTERIORE	REAR WHEELS AXLE	AXE ROUES ARRIERE	HINTERRADDER ACHSE	1
82	12019900/0	ANELLO OR	OR RING	BAGUE OR	RING OR	2
83	22122200/0	CUSCINETTO	BEARING	ROULEMENT	KUGELLAGER	2
84	12608600/0	SEEGER	SEEGER	SEEGER	SEEGER	4
85	81006846/0	PROTEZIONE RUOTE	WHEEL GUARD	PROTECTION ROUE	RAEDERSCHUTZ	2
86	22570120/0	PIGNONE SINISTRO	LEFT PINION	PIGNON GAUCHE	RECHT RITZEL	1
87	22570110/0	PIGNONE DESTRO	RIGHT PINION	PIGNON DROITE	LINCHT RITZEL	1
88	22120105/1	CORONA	RING GEAR	COURONNE	KRANZ	2
89	22170800/0	DISTANZIALE	SPACER	ENTRETOISE	SCHRAUBE	1
90	81001138/0	COMANDO TRAZIONE	REAR DRIVE	GROUPE TRACTION	ANTRIEB	1

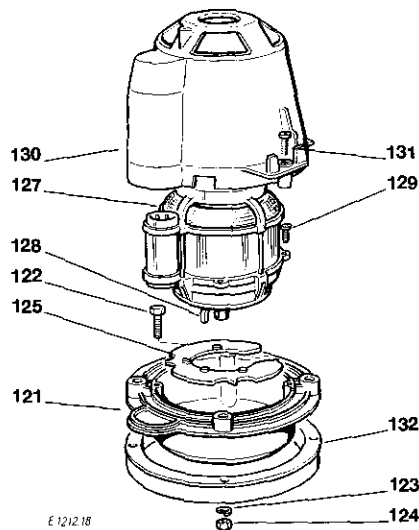
**GRUPPO COLTELLO
BLADE ASS.Y
GROUPE DES LAMES
MESSERSATZ**



101	22463186/1	MOZZO	HUB	MOYEU	HALTER	1
102	81004341/0	COLTELLO STANDARD	STANDARD BLADE	LAME STANDARD	STANDARD MESSER	1
-	81004396/0	COLTELLO ALETTATO	WINGS BLADE	LAME À AILETTES	FLUEGELMESSER	1
103	12793101/0	VITE	SCREW	VIS	SCHRAUBE	2
104	12583500/0	GROWER	GROWER	GROWER	FEDERRING	2
105	81004352/0	VITE	SCREW	VIS	SCHRAUBE	1
106	81000830/0	PULEGGIA	PULLEY	POUILLE	RIEMENSCHLEIBE	1
107	12713801/0	GRANO	DOWEL	GRAIN	STIFT	1

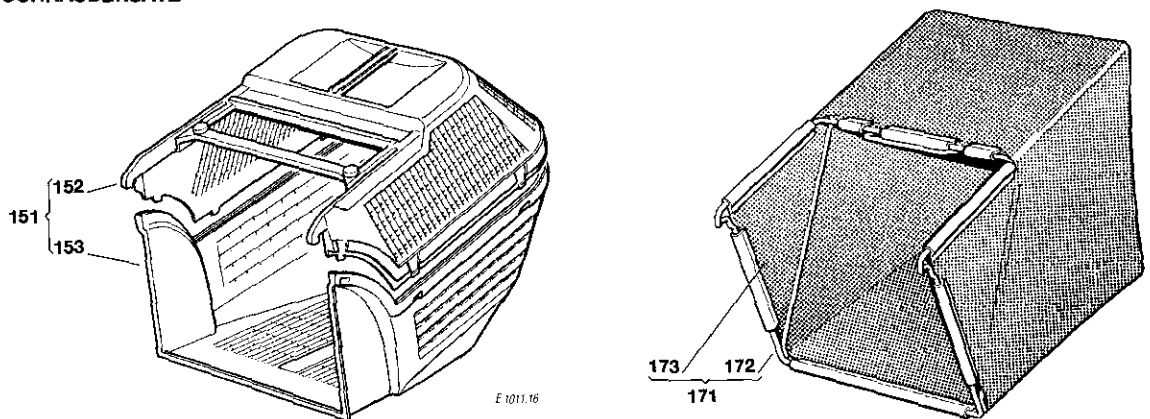
Pos. Nr.	Codice Code Kodex	Descrizione	Description	Description	Beschreibung	Q.tà Q.ty-Q.tè Menge
----------	-------------------	-------------	-------------	-------------	--------------	----------------------

**GRUPPO MOTORE ELETTRICO
MOTOR ASS.Y
MOTEUR ELECTRIQUE
ELEKTROMOTOR**



121	22207211/2	FLANGIA	FLANGE	BRIDE	FLANSCH	1
122	12691800/0	VITE	SCREW	VIS	SCHRAUBE	4
123	12583500/0	GROWER	GROWER	GROWER	FEDERRING	4
124	12293200/0	DADO	NUT	ECROU	MUTTER	4
125	22720360/1	SCHERMO VENTILAZIONE	VENTILATION SCREEN	ECRAU VENTILATION	ÜFTUNGSSCHIRTM	1
127	18563070/0	MOTORE IBMEI 1600W (230V)	IBMEI MOTOR 1600W (230V)	MOTEUR IBMEI 1600W (230V)	MOTOR IBMEI 1600W (230V)	1
127b	18740049/0	VENTOLA MOTORE IBMEI	IBMEI MOTOR FAN	VENTILATEUR MOTEUR IBMEI	IBMEI LÜFTER	1
127c	18222038/0	CONDENSATORE 20 µF	CONDENSER 20 µF	CONDENSEUR 20 µF	KONDENSATOR 20 µF	1
128	12139440/0	LINGUETTA	FEATHER	CLAVETTE	KEIL	1
129	12735410/0	VITE	SCREW	VIS	SCHRAUBE	4
130	22785061/0	SUPPORTO CAPOTTINA	COVER SUPPORT	SUPPORT CAPOT	HAUBEHALTER	1
131	12728710/0	VITE	SCREW	VIS	SCHRAUBE	4
132	81003471/0	DISTANZIALE	SPACER	ENTREYOISE	DISTANZRING	1

**SACCO RACCOGLIERBA E DOTAZIONE
GRASS-CATCHER AND SCREWS OUTFITS
BAC DE RAMASSAGE ET DOTATION VISSERIE
GRASFANGKORB UND SCHRAUBENSATZ**



151	94004000/0	SACCO COMPLETO	COMPLETE GRASS-BOX	BAC COMPLET	KOMPLETTER KORB	1
152	22486073/0	PORTE SUPERIORE SACCO	UPPER GRASS-BOX	PARTIE SUPERIEURE SAC	KORB OBERTEIL	1
153	22486074/0	PORTE INFERIORE SACCO	LOWER GRASS-BOX	PARTIE INFERIEURE SAC	KORB UNTERTEIL	1
171	94005000/0	ASSIEME SACCO TELA	CANVASS GRASSCATCHER ASS.Y	ENSEMBLE SAC EN TOILE	KOMPLETTER SACK	1
172	81006418/0	TELAIO	CHASSIS	CHASSIS	RAHMEN	1
173	81002105/1	TELA SACCO	FABRIC BOX	TOILE POUR SAC	TUCK FÜR SACK	1
-	81008596/0	DOTAZIONE VITERIA	SCREWS OUTFIT	DOTATION VISSERIE	SCHRAUBEN SATZ	1