

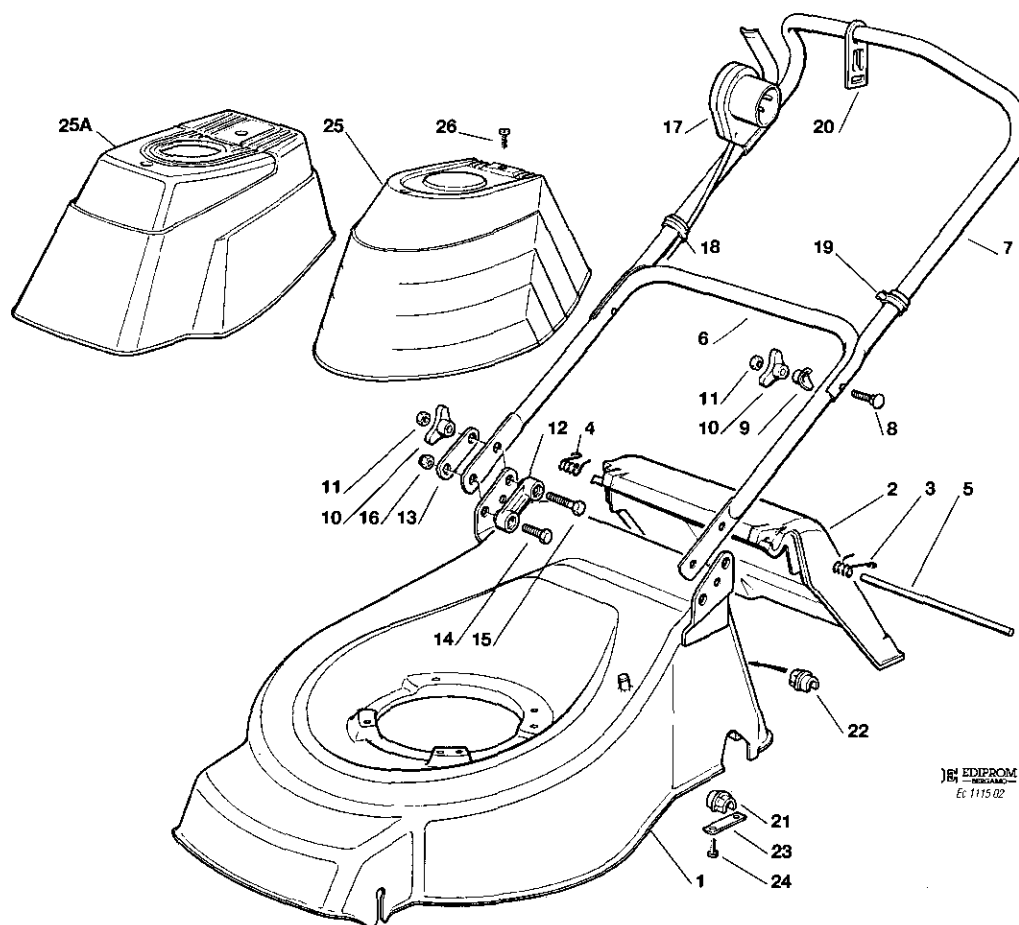
VISTE ESPLOSE  
EXPLODED VIEWS

VUES ECLATEES  
SPRENGZEICHNUNGEN

**TDL 430**  
**TDL 430S**  
**TDL 480**

CHASSIS - MANICO - COMANDI  
DECK - HANDLE - CONTROLS  
CHASSIS - MANCHERON - COMMANDES  
GEHÄUSE - HOLM - BETÄTIGUNGEN

Mod. 1996

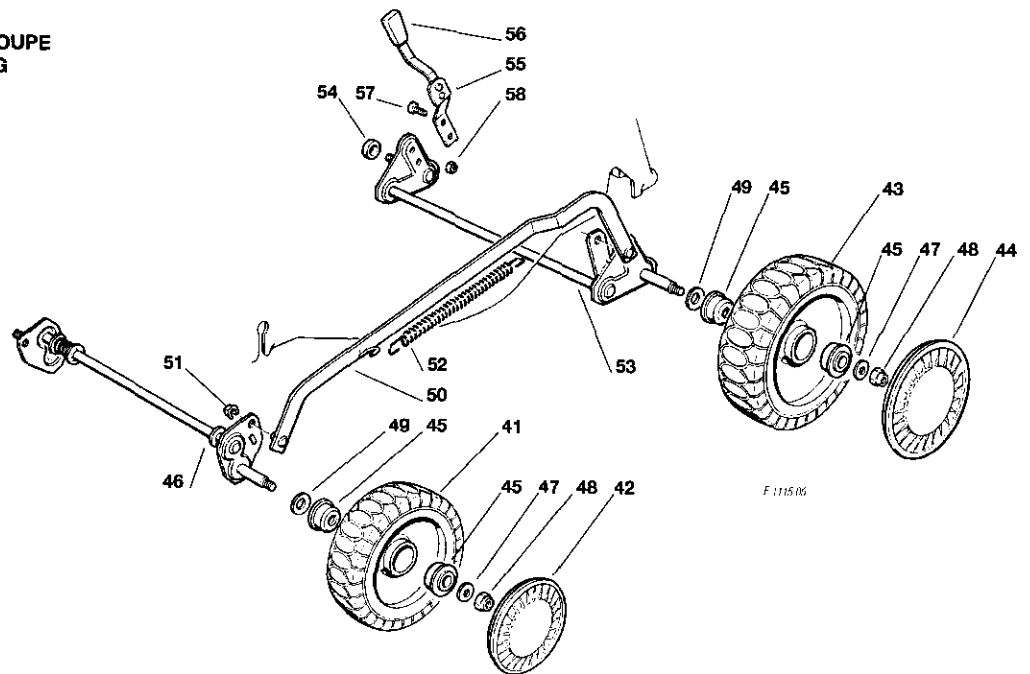


| Pos. Nr. | Codice Code Kodex | Descrizione   | Description   | Description   | Beschreibung  | Q.tà<br>Q.ty-Q.tè<br>Menge |
|----------|-------------------|---|---|---|---|----------------------------|
| 1        | 81001375/0        | CHASSIS VERDE (TDL 430S)  | GREEN DECK (TDL 430S)   | CHASSIS VERT (TDL 430S)   | GRÜN GEHÄUSE (TDL 430S)   | 1                          |
| -        | 81001353/0        | CHASSIS GIALLO (TDL 430S)   | YELLOW DECK (TDL 430S)  | CHASSIS JAUNE (TDL 430S)  | GELB GEHÄUSE (TDL 430S)   | 1                          |
| -        | 81001343/0        | CHASSIS ROSSO (TDL 430S)  | RED DECK (TDL 430S)   | CHASSIS ROUGE (TDL 430S)  | ROT GEHÄUSE (TDL 430S)  | 1                          |
| -        | 81001377/0        | CHASSIS VERDE (TDL 480)   | GREEN DECK (TDL 480)  | CHASSIS VERT (TDL 480)  | GRÜN GEHÄUSE (TDL 480)  | 1                          |
| -        | 81001355/0        | CHASSIS GIALLO (TDL 480)  | YELLOW DECK (TDL 480)   | CHASSIS JAUNE (TDL 480)   | GELB GEHÄUSE (TDL 480)  | 1                          |
| -        | 81001344/0        | CHASSIS ROSSO (TDL 480)   | RED DECK (TDL 480)  | CHASSIS ROUGE (TDL 480)   | ROT GEHÄUSE (TDL 480)   | 1                          |
| 2        | 22600046/1        | PARASASSI   | STONE-GUARD   | PARE-PIERRES  | PRALLBLECH  | 1                          |
| 3        | 22450420/1        | MOLLA SINISTRA  | LEFT SPRING   | RESSORT GAUCHE  | LINK FEDER  | 1                          |
| 4        | 22450410/1        | MOLLA DESTRA  | RIGHT SPRING  | RESSORT DROITE  | RECHTE FEDER  | 1                          |
| 5        | 22517906/0        | PERNO   | PIN   | PIVOT   | BOLZEN  | 1                          |
| 6        | 81006512/0        | PARTE INFERIORE MANICO  | LOWER HANDLE  | PARTIE INF. MANCHERON   | HOLMUNTERTEIL   | 1                          |
| 7        | 81007017/1        | PARTE SUPERIORE MANICO  | UPPER HANDLE  | PARTIE SUP. MANCHERON   | HOLMOBERTEIL  | 1                          |
| 8        | 12819201/0        | VITE  | SCREW   | VIS   | SCHRAUBE  | 2                          |
| 9        | 22680006/1        | RONDELLA  | WASHER  | RONDELLE  | SCHEIBE   | 2                          |
| 10       | 22399900/0        | MANOPOLINA  | KNOB  | POIGNÉE   | GRIFT   | 4                          |
| 11       | 12293200/0        | DADO  | NUT   | ECROU   | MUTTER  | 4                          |
| 12       | 22551575/0        | PIASTRINA INTERNA   | INSIDE PLAQUE   | PLAQUETTE INTERNE   | ISOLIERPLATTE   | 2                          |
| 13       | 22551574/0        | PIASTRINA ESTERNA   | OUTSIDE PLAQUE  | PLAQUETTE EXTERNE   | ISOLIERPLATTE   | 2                          |
| 14       | 12793300/0        | VITE  | SCREW   | VIS   | SCHRAUBE  | 2                          |
| 15       | 12691115/0        | VITE  | SCREW   | VIS   | SCHRAUBE  | 2                          |
| 16       | 12155000/0        | DADO  | NUT   | ECROU   | MUTTER  | 2                          |
| 17       | 18710562/0        | SALVAMOTORE M.M. 8,5 A<br>602 MS (1300W IBMEI/RST)                      | DEAD HAND SWITCH M.M. 8,5 A<br>602 MS (1300W IBMEI/RST)                         | INT. MAIN MORTE 8,5 A<br>602 MS (1300W IBMEI/RST)                         | TOT MANSCHALTER M.M. 8,5 A<br>602 MS (1300W IBMEI/RST)                    | 1                          |
| -        | 18710563/0        | SALVAMOTORE M.M. 8,5 A<br>603 MS (1300W IBMEI/RST)<br>SOLO PER SVIZZERA | DEAD HAND SWITCH M.M. 8,5 A<br>603 MS (1300W IBMEI/RST)<br>ONLY FOR SWITZERLAND | INT. MAIN MORTE 8,5 A<br>603 MS (1300W IBMEI/RST)<br>SEUL. POUR LA SUISSE | TOT MANSCHALTER M.M. 8,5 A<br>603 MS (1300W IBMEI/RST)<br>NUR FÜR SCHWEIZ | 1                          |

↓

| Pos. Nr. | Codice Code Kodex | Descrizione  | Description  | Description  | Beschreibung   | Q.tà Q.ty-Q.tè Menge |
|----------|-------------------|--|--|--|--|----------------------|
| ↓        |                   |  |  |  |  |                      |
| -        | 18710624/0        | SALVAMOTORE M.M. 8,5 A<br>607 MS (1300W IBMEI)                         | DEAD HAND SWITCH M.M. 8,5 A<br>607 MS (1300W IBMEI)                            | INT. MAIN MORTE 8,5 A<br>607 MS (1300W IBMEI)                            | TOT MANSCHALTER M.M. 8,5 A<br>607 MS (1300W IBMEI)                       | 1                    |
| -        | 18710604/0        | SALVAMOTORE M.M. 10 A<br>602 MS (1600W IBMEI/RST)                      | DEAD HAND SWITCH M.M. 10 A<br>602 MS (1600W IBMEI/RST)                         | INT. MAIN MORTE 10 A<br>602 MS (1600W IBMEI/RST)                         | TOT MANSCHALTER M.M. 10 A<br>602 MS (1600W IBMEI/RST)                    | 1                    |
| -        | 18710572/0        | SALVAMOTORE M.M. 10 A<br>603 MS (1600W IBMEI/RST)<br>SOLO PER SVIZZERA | DEAD HAND SWITCH M.M. 10 A<br>603 MS (1600W IBMEI/RST)<br>ONLY FOR SWITZERLAND | INT. MAIN MORTE 10 A<br>603 MS (1600W IBMEI/RST)<br>SEUL. POUR LA SUISSE | TOT MANSCHALTER M.M. 10 A<br>603 MS (1600W IBMEI/RST)<br>NUR FÜR SCHWEIZ | 1                    |
| -        | 18710628/0        | SALVAMOTORE M.M. 10 A<br>607 MS (1600W IBMEI)                          | DEAD HAND SWITCH M.M. 10 A<br>607 MS (1600W IBMEI)                             | INT. MAIN MORTE 10 A<br>607 MS (1600W IBMEI)                             | TOT MANSCHALTER M.M. 10 A<br>607 MS (1600W IBMEI)                        | 1                    |
| 18       | 22192000/1        | FASCETTA ANCORAGGIO  | ANCHOR CLAMP   | COLLIER ANCRAGE  | BOWDENZUGHALTER  | 2                    |
| 19       | 22192151/0        | FERMACAVO  | FAIR LEAD  | FIXATION CABLE   | KABELBEFESTIGUNG   | 1                    |
| 20       | 22195101/1        | FERMACAVO  | FAIR LEAD  | FIXATION CABLE   | KABELBEFESTIGUNG   | 1                    |
| 21       | 22038403/0        | BRONZINA SINISTRA  | LEFT BUSH  | DOUILLE GAUCHE   | LINK BUCHSE  | 1                    |
| 22       | 22038402/0        | BRONZINA DESTRA  | RIGHT BUSH   | DOUILLE DROITE   | RECHT BUCHSE   | 1                    |
| 23       | 22545142/0        | PIASTRINA  | PLATE  | PLAQUETTE  | PLATTE   | 2                    |
| 24       | 12731350/0        | VITE   | SCREW  | VIS  | SCHRAUBE   | 4                    |
| 25       | 81002057/0        | CAPOTTINA  | COVER  | CAPOT  | HAUSE  | 1                    |
| 25A      | 81002059/0        | CAPOTTINA  | COVER  | CAPOT  | HAUSE  | 1                    |
| 26       | 12728680/0        | VITE   | SCREW  | VIS  | SCHRAUBE   | 2                    |

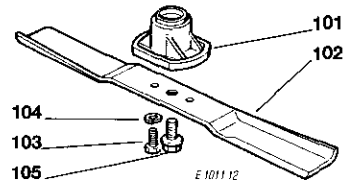
**RUOTE E REGOLAZIONE  
WHEELS AND HEIGHT ADJUSTING  
ROUES ET REGLAGE HAUTEUR DE COUPE  
RAEDER UND SCHNITTVERSTELLUNG**



|    |            |  |   |   |  |   |
|----|------------|--|---|---|--|---|
| 41 | 81007317/0 | RUOTA SCOLPITA Ø 170                         | KNOBBLY WHEEL Ø 170                       | ROUE SCULPTEE Ø 170                     | RAD M. STOLLENPR. Ø 170                | 2 |
| 42 | 22110282/0 | COPRIMOZZO BIANCO                            | WHITE HUB CAP                             | COUVRE-MOYEU BLANCHE                    | WEISSE RADKAPPE                        | 2 |
| -  | 22110288/0 | COPRIMOZZO GIALLO                            | YELLOW HUB CAP                            | COUVRE-MOYEU JAUNE                      | GELB RADKAPPE                          | 2 |
| 43 | 81007318/0 | RUOTA SCOLPITA Ø 210                         | KNOBBLY WHEEL Ø 210                       | ROUE SCULPTEE Ø 210                     | RAD M. STOLLENPR. Ø 210                | 2 |
| 44 | 22110281/0 | COPRIMOZZO BIANCO                            | WHITE HUB CAP                             | COUVRE-MOYEU BLANCHE                    | WEISSE RADKAPPE                        | 2 |
| -  | 22110287/0 | COPRIMOZZO GIALLO                            | YELLOW HUB CAP                            | COUVRE-MOYEU JAUNE                      | GELB RADKAPPE                          | 2 |
| 45 | 22122200/0 | CUSCINETTO                                   | BEARING                                   | COUSSINET                               | KUGELLAGER                             | 8 |
| 46 | 81001272/0 | ASSE RUOTE ANTERIORE<br>(TDL 430 - TDL 430S) | FRONT WHEELS AXLE<br>(TDL 430 - TDL 430S) | AXE ROUES AVANT<br>(TDL 430 - TDL 430S) | VORDERRADACHSE<br>(TDL 430 - TDL 430S) | 1 |
| -  | 81001274/0 | ASSE RUOTE ANTERIORE<br>(TDL 480)            | FRONT WHEELS AXLE<br>(TDL 480)            | AXE ROUES AVANT<br>(TDL 480)            | VORDERRADACHSE<br>(TDL 480)            | 1 |
| 47 | 12521350/0 | RONDELLA                                     | WASHER                                    | RONDELLE                                | SCHEIBE                                | 4 |
| 48 | 12155000/0 | DADO   | NUT                                       | ECROU                                   | MUTTER                                 | 4 |
| 49 | 12530150/0 | RONDELLA ELASTICA                            | ELASTIC WASHER                            | RONDELLE ELASTIQUE                      | ELASTISCHE SCHEIBE                     | 4 |
| 50 | 81001275/0 | ASTA COMANDO<br>(TDL 430)                    | ADJUSTMENT ROD<br>(TDL 430)               | TIGE COMMANDE<br>(TDL 430)              | STELLSTAB<br>(TDL 430)                 | 1 |
| -  | 81001276/0 | ASTA COMANDO<br>(TDL 480)                    | ADJUSTMENT ROD<br>(TDL 480)               | TIGE COMMANDE<br>(TDL 480)              | STELLSTAB<br>(TDL 480)                 | 1 |
| 51 | 12436050/0 | PIASTRINA                                    | PLATE                                     | PLAQUETTE                               | PLÄTTCHEN                              | 2 |
| 52 | 22446180/0 | MOLLA  | SPRING                                    | RESSORT                                 | FEDER                                  | 1 |
| 53 | 81001278/0 | ASSE RUOTE POSTERIORE                        | REAR WHEELS AXLE                          | AXE ROUES ARRIERE                       | HINTERRADACHSE                         | 1 |
| 54 | 22170800/0 | DISTANZIALE                                  | SPACER                                    | ENTRETOISE                              | DOSTANZRING                            | 1 |
| 55 | 81003279/1 | LEVA REGOLAZIONE                             | ADJUSTMENT LEVER                          | LEVIER REGLAGE                          | VERSTELLUNG HEBEL                      | 1 |
| 56 | 22397000/0 | MANOPOLA                                     | KNOB                                      | POIGNEE                                 | GRIFF                                  | 1 |
| 57 | 12789000/0 | VITE   | SCREW                                     | VIS                                     | SCHRAUBE                               | 2 |
| 58 | 12154330/0 | DADO   | NUT                                       | ECROU                                   | MUTTER                                 | 2 |

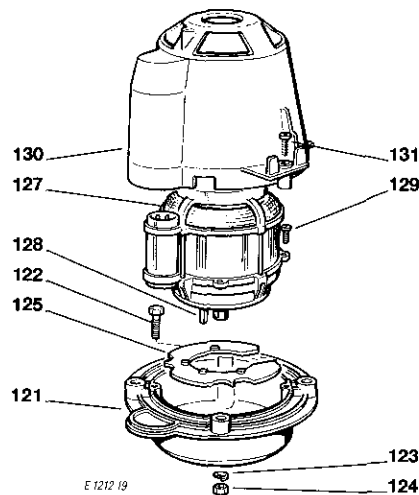
| Pos. Nr. | Codice Code Kodex | Descrizione | Description | Description | Beschreibung | Q.tà Q.ty-Q.tè Menge |
|----------|-------------------|-------------|-------------|-------------|--------------|----------------------|
|----------|-------------------|-------------|-------------|-------------|--------------|----------------------|

**GRUPPO COLTELLO  
BLADE ASS.Y  
GROUPE DES LAMES  
MESSERSATZT**



|     |            |                         |                      |                       |                       |   |
|-----|------------|-------------------------|----------------------|-----------------------|-----------------------|---|
| 101 | 22463186/1 | MOZZO                   | HUB                  | MOYEU                 | HALTER                | 1 |
| 102 | 81004341/2 | COLTELLO STANDARD cm 41 | STANDARD BLADE cm 41 | LAME STANDARD cm 41   | STANDARD MESSER cm 41 | 1 |
| -   | 81004396/0 | COLTELLO ALETTATO cm 41 | WINGS BLADE cm 41    | LAME À AILETTES cm 41 | FLUEGELMESSER cm 41   | 1 |
| -   | 81004346/2 | COLTELLO STANDARD cm 46 | STANDARD BLADE cm 46 | LAME STANDARD cm 46   | STANDARD MESSER cm 46 | 1 |
| -   | 81004397/0 | COLTELLO ALETTATO cm 46 | WINGS BLADE cm 46    | LAME À AILETTES cm 46 | FLUEGELMESSER cm 46   | 1 |
| 103 | 12793101/0 | VITE                    | SCREW                | VIS                   | SCHRAUBE              | 2 |
| 104 | 12583500/0 | GROWER                  | GROWER               | GROWER                | FEDERRING             | 2 |
| 105 | 81004352/0 | VITE                    | SCREW                | VIS                   | SCHRAUBE              | 1 |

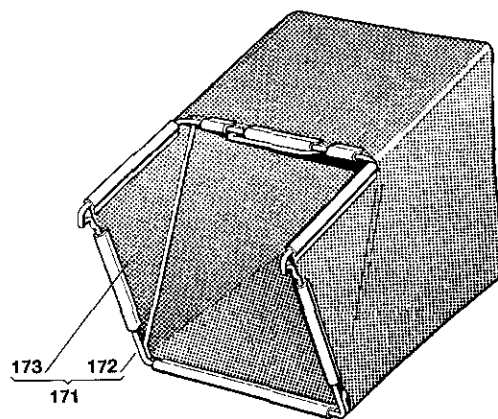
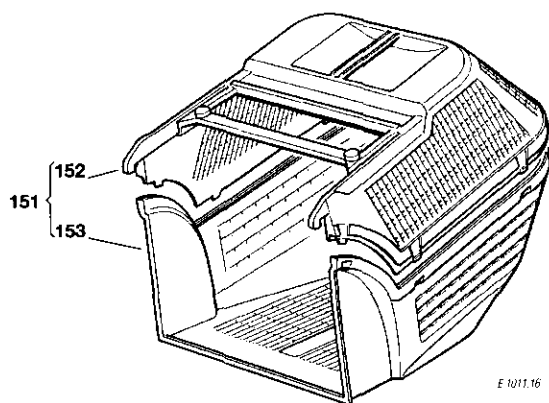
**GRUPPO MOTORE ELETTRICO  
MOTOR ASS.Y  
MOTEUR ELECTRIQUE  
ELEKTROMOTOR**



|      |            |                           |                          |                           |                          |   |
|------|------------|---------------------------|--------------------------|---------------------------|--------------------------|---|
| 121  | 22207211/2 | FLANGIA                   | FLANGE                   | BRIDE                     | FLANSCH                  | 1 |
| 122  | 12793700/0 | VITE                      | SCREW                    | VIS                       | SCHRAUBE                 | 4 |
| 123  | 12583500/0 | GROWER                    | GROWER                   | GROWER                    | FEDERRING                | 4 |
| 124  | 12293200/0 | DADO                      | NUT                      | ECROU                     | MUTTER                   | 4 |
| 125  | 22720360/1 | SCHERMO VENTILAZIONE      | VENTILATION SCREEN       | ECRAU VENTILATION         | ÜFTUNGSSCHIRM            | 1 |
| 127  | 18563068/0 | MOTORE IBMEI 1300W (230V) | IBMEI MOTOR 1300W (230V) | MOTEUR IBMEI 1300W (230V) | MOTOR IBMEI 1300W (230V) | 1 |
| -    | 18563008/0 | MOTORE RST 1300W (230V)   | RST MOTOR 1300W (230V)   | MOTEUR RST 1300W (230V)   | MOTOR RST 1300W (230V)   | 1 |
| -    | 18563069/0 | MOTORE IBMEI 1300W (240V) | IBMEI MOTOR 1300W (240V) | MOTEUR IBMEI 1300W (240V) | MOTOR IBMEI 1300W (240V) | 1 |
| -    | 18563061/1 | MOTORE IBMEI 1600W (230V) | IBMEI MOTOR 1600W (230V) | MOTEUR IBMEI 1600W (230V) | MOTOR IBMEI 1600W (230V) | 1 |
| -    | 18563009/0 | MOTORE RST 1600W (230V)   | RST MOTOR 1600W (230V)   | MOTEUR RST 1600W (230V)   | MOTOR RST 1600W (230V)   | 1 |
| -    | 18563047/1 | MOTORE IBMEI 1600W (240V) | IBMEI MOTOR 1600W (240V) | MOTEUR IBMEI 1600W (240V) | MOTOR IBMEI 1600W (240V) | 1 |
| 127a | 18740051/0 | VENTOLA MOTORE RST        | RST MOTOR FAN            | VENTILATEUR MDTEUR RST    | RST LÜFTER               | 1 |
| 127b | 18740049/0 | VENTOLA MOTORE IBMEI      | IBMEI MOTOR FAN          | VENTILATEUR MOTEUR IBMEI  | IBMEI LÜFTER             | 1 |
| 127c | 18222037/0 | CONDENSATORE 16 µF        | CONDENSER 16 µF          | CONDENSEUR 16 µF          | KONDENSATOR 16 µF        | 1 |
| -    | 18222038/0 | CONDENSATORE 20 µF        | CONDENSER 20 µF          | CONDENSEUR 20 µF          | KONDENSATOR 20 µF        | 1 |
| 128  | 12139440/0 | LINGUETTA                 | FEATHER                  | CLAVETTE                  | KEIL                     | 1 |
| 129  | 12735410/0 | VITE                      | SCREW                    | VIS                       | SCHRAUBE                 | 4 |
| 130  | 22785061/0 | SUPPORTO CAPOTTINA        | COVER SUPPORT            | SUPPORT CAPOT             | HAUBEHALTER              | 1 |
| 131  | 12728710/0 | VITE                      | SCREW                    | VIS                       | SCHRAUBE                 | 4 |

| Pos. Nr. | Codice Code Kodex | Descrizione | Description | Description | Beschreibung | Q.tà<br>Q.ty-Q.tè<br>Menge |
|----------|-------------------|-------------|-------------|-------------|--------------|----------------------------|
|----------|-------------------|-------------|-------------|-------------|--------------|----------------------------|

**SACCO RACCOGLIERBA E DOTAZIONE  
GRASS-CATCHER AND SCREWS OUTFITS  
BAC DE RAMASSAGE ET DOTATION VISSERIE  
GRASFANGKORB UND SCHRAUBENSATZ**



|     |            |                       |                               |                       |                 |   |
|-----|------------|-----------------------|-------------------------------|-----------------------|-----------------|---|
| 151 | 94004000/0 | SACCO COMPLETO        | COMPLETE GRASS-BOX            | BAC COMPLET           | KOMPLETTER KORB | 1 |
| 152 | 22486073/0 | PORTE SUPERIORE SACCO | UPPER GRASS-BOX               | PARTIE SUPERIEURE SAC | KORB OBERTEIL   | 1 |
| 153 | 22486074/0 | PORTE INFERIORE SACCO | LOWER GRASS-BOX               | PARTIE INFERIEURE SAC | KORB UNTERTEIL  | 1 |
| 171 | 94005000/0 | ASSIEME SACCO TELA    | CANVASS GRASSCATCHER<br>ASS.Y | ENSEMBLE SAC EN TOILE | KOMPLETTER SACK | 1 |
| 172 | 81006418/0 | TELAIO                | CHASSIS                       | CHASSIS               | RAHMEN          | 1 |
| 173 | 81002105/1 | TELA SACCO            | FABRIC BOX                    | TOILE POUR SAC        | TUCK FÜR SACK   | 1 |
| -   | 81008596/0 | DOTAZIONE VITERIA     | SCREWS OUTFIT                 | DOTATION VISSERIE     | SCHRAUBEN SATZ  | 1 |