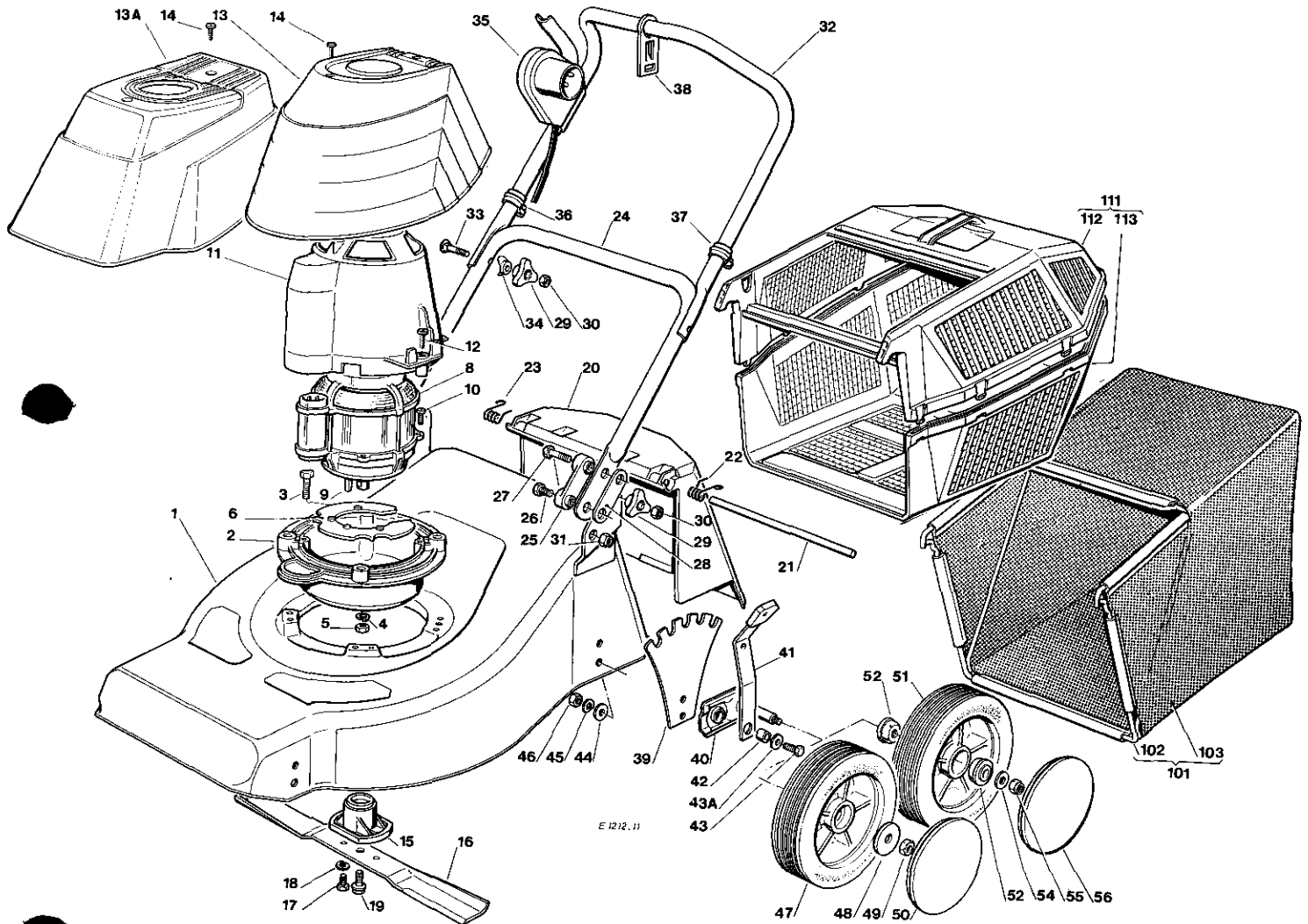


VISTE ESPLOSE
EXPLODED VIEWS

VUES ECLATEES
SPRENGZEICHNUNGEN

R 430
R 430 S
R 480

Mod. 1996



E 1212.11

Pos. Nr.	Codice Kodex Code	Descrizione	Description	Description	Beschreibung	Q.tà Q.ty Q.tè Menge
1	81000950/0	CHASSIS ROSSO (R 430)	RED DECK (R 430)	CHASSIS ROUGE (R 430)	ROTES GEHÄUSE (R 430)	1
—	81000988/0	CHASSIS GIALLO (R 430)	YELLOW DECK (R 430)	CHASSIS JAUNE (R 430)	GELBES GEHÄUSE (R 430)	1
—	81001542/0	CHASSIS VERDE (R 430)	GREEN DECK (R 430)	CHASSIS VERT (R 430)	GRÜNES GEHÄUSE (R 430)	1
—	81000952/0	CHASSIS ROSSO (R 480)	RED DECK (R 480)	CHASSIS ROUGE (R 480)	ROTES GEHÄUSE (R 480)	1
—	81000991/0	CHASSIS GIALLO (R 480)	YELLOW DECK (R 480)	CHASSIS JAUNE (R 480)	GELBES GEHÄUSE (R 480)	1
—	81001543/0	CHASSIS VERDE (R 480)	GREEN DECK (R 480)	CHASSIS VERT (R 480)	GRÜNES GEHÄUSE (R 480)	1
2	22207211/2	FLANGIA	FLANGE	BRIDE	FLANSCH	1
3	12793700/0	VITE	SCREW	VIS	SCHRAUBE	4
4	12583500/0	GROWER	GROWER	GROWER	FEDERRING	4
5	12293200/0	DADO	NUT	ECROU	MUTTER	4
6	22720360/1	SCHERMO VENTILAZIONE	VENTILATION SCREEN	ECRAU VENTILATION	UFTUNGSSCHIRTM	1
8	18563068/0	MOTORE IBMEI 1300W (230V)	IBMEI MOTOR 1300W (230V)	MOTEUR IBMEI 1300W (230V)	MOTOR IBMEI 1300W (230V)	1
—	18563008/0	MOTORE RST 1300W (220-230V)	RST MOTOR 1300W (220-230V)	MOTEUR RST 1300W (220-230V)	MOTOR RST 1300W (220-230V)	1
—	18563069/0	MOTORE IBMEI 1300W (240V)	IBMEI MOTOR 1300W (240V)	MOTEUR IBMEI 1300W (240V)	MOTOR IBMEI 1300W (240V)	1
—	18563061/1	MOTORE IBMEI 1600W (230V)	IBMEI MOTOR 1600W (230V)	MOTEUR IBMEI 1600W (230V)	MOTOR IBMEI 1600W (230V)	1
—	18563009/0	MOTORE RST 1600W (230V)	RST MOTOR 1600W (230V)	MOTEUR RST 1600W (230V)	MOTOR RST 1600W (230V)	1
—	18563047/1	MOTORE IBMEI 1600W (240V)	IBMEI MOTOR 1600W (240V)	MOTEUR IBMEI 1600W (240V)	MOTOR IBMEI 1600W (240V)	1
8A	18740051/0	VENTOLA PER MOTORE RST	RST MOTOR FAN	VENTILATEUR MOTEUR RST	RST LÜFTER	1

Pos. Nr.	Codice Kodex Code	Descrizione	Description	Description	Beschreibung	Q.tà Q.ty Q.tè Menge
—	18740049/0	VENTOLA PER MOTORE IBMEI	IBMEI MOTOR FAN	VENTILATEUR MOTEUR IBMEI	IBMEI LÜFTER	1
8B	18222037/0	CONDENSATORE 16 µF	CONDENSER 16 µF	CONDENSEUR 16 µF	KONDENSATOR 16 µF	1
—	18222038/0	CONDENSATORE 20 µF	CONDENSER 20 µF	CONDENSEUR 20 µF	KONDENSATOR 20 µF	1
9	12139440/0	LINGUETTA	FEATHER	CLAVETTE	KEIL	1
10	12735410/0	VITE	SCREW	VIS	SCHRAUBE	4
11	22785061/0	SUPPORTO CAPOTTINA	COVER SUPPORT	SUPPORT CAPOT	HAUBEHALTER	1
12	12728710/0	VITE	SCREW	VIS	SCHRAUBE	4
13	81002057/0	ASS. CAPOTTINA	COVER ASS.Y	ENS. CAPOT	KOMPLETTE HAUBE	1
13A	81002059/0	ASS. CAPOTTINA	COVER ASS.Y	ENS. CAPOT	KOMPLETTE HAUBE	1
14	12728680/0	VITE	SCREW	VIS	SCHRAUBE	2
15	22463186/1	MOZZO	HUB	MOYEU	HALTER	1
16	81004341/2	COLTELLO STANDARD (41 cm.)	STANDARD BLADE (41 cm.)	LAME STANDARD (41 cm.)	STANDARD MESSER (41 cm.)	1
—	81004396/0	COLTELLO ALETTATO (41 cm.)	WINGS BLADE (41 cm.)	LAME À AILETTES (41 cm.)	FLÜGEL MESSER (41 cm.)	1
—	81004346/2	COLTELLO STANDARD (46 cm.)	STANDARD BLADE (46 cm.)	LAME STANDARD (46 cm.)	STANDARD MESSER (46 cm.)	1
—	81004397/0	COLTELLO ALETTATO (46 cm.)	WINGS BLADE (46 cm.)	LAME À AILETTES (46 cm.)	FLÜGEL MESSER (46 cm.)	1
17	12793101/0	VITE	SCREW	VIS	SCHRAUBE	2
18	12583500/0	GROWER	GROWER	GROWER	FEDERRING	2
19	81004352/0	ASS. VITE	SCREW ASS.Y	ENS. VIS	ENS. SCHRAUBE	1
20	22600028/4	PARASASSI	STONE-GUARD	PARE-PIERRES	PRALLBLECH	1
21	22517906/0	PERNO	PIN	PIVOT	BOLZEN	1
22	22450420/1	MOLLA SX	LEFT SPRING	RESSORT GAUCHE	LINK FEDER	1
23	22450410/1	MOLLA DX	RIGHT SPRING	RESSORT DROITE	RECHTE FEDER	1
24	81006512/0	PARTE INF. MANICO	LOWER HANDLE	PARTIE INF. MANCHERON	HOLMUNTERTEIL	1
25	22551575/0	PIASTRINA INTERNA	INSIDE PLAQUE	PLAQUETTE INTERNE	ISOLIERPLATTE	2
26	12793300/0	VITE	SCREW	VIS	SCHRAUBE	2
27	12691115/0	VITE	SCREW	VIS	SCHRAUBE	2
28	22551574/0	PIASTRINA ESTERNA	OUTSIDE PLAQUE	PLAQUETTE EXTERNE	ISOLIERPLATTE	2
29	22399900/0	MANOPOLINA	KNOB	POIGNÉE	GRIFT	4
30	12293200/0	DADO	NUT	ECROU	MUTTER	4
31	12155000/0	DADO	NUT	ECROU	MUTTER	2
32	81007017/1	PARTE SUP. MANICO	UPPER HANDLE	PARTIE SUP. MANCHERON	HOLMOBERTEIL	1
33	12819201/0	VITE	SCREW	VIS	SCHRAUBE	2
34	22680006/1	RONDELLA	WASHER	RONDELLE	SCHIBE	2
35	18710562/0	SALVAMOTORE M.M. 8,5 AMP. 602 MS (1300W IBMEI/RST)	DEAD HAND SWITCH 8,5 AMP. 602 MS (1300W IBMEI/RST)	INT. MAIN MORTE 8,5 AMP. 602 MS (1300W IBMEI/RST)	TOT MANSCHALTER 8,5 AMP. 602 MS (1300W IBMEI/RST)	1
—	18710563/0	SALVAMOTORE M.M. 8,5 AMP. 603 MS (1300W IBMEI/RST) SOLO PER SVIZZERA	DEAD HAND SWITCH 8,5 AMP. 603 MS (1300W IBMEI/RST) ONLY FOR SWITZERLAND	INT. MAIN MORTE 8,5 AMP. 603 MS (1300W IBMEI/RST) SEULEMENT POUR LA SUISSE	TOT MANSCHALTER 8,5 AMP. 603 MS (1300W IBMEI/RST) NUR FÜR SCHWEIZ	1
—	18710624/0	SALVAMOTORE M.M. 8,5 AMP. 607 MS (1300W IBMEI)	DEAD HAND SWITCH 8,5 AMP. 607 MS (1300W IBMEI)	INT. MAIN MORTE 8,5 AMP. 607 MS (1300W IBMEI)	TOT MANSCHALTER 8,5 AMP. 607 MS (1300W IBMEI)	1
—	18710604/0	SALVAMOTORE M.M. 10 AMP. 602 MS (1600W IBMEI/RST)	DEAD HAND SWITCH 10 AMP. 602 MS (1600W IBMEI/RST)	INT. MAIN MORTE 10 AMP. 602 MS (1600W IBMEI/RST)	TOT MANSCHALTER 10 AMP. 602 MS (1600W IBMEI/RST)	1
—	18710572/0	SALVAMOTORE M.M. 10 AMP. 603 MS (1600W IBMEI/RST) SOLO PER SVIZZERA	DEAD HAND SWITCH 10 AMP. 603 MS (1600W IBMEI/RST) ONLY FOR SWITZERLAND	INT. MAIN MORTE 10 AMP. 603 MS (1600W IBMEI/RST) SEULEMENT POUR LA SUISSE	TOT MANSCHALTER 10 AMP. 603 MS (1600W IBMEI/RST) NUR FÜR SCHWEIZ	1
—	18710628/0	SALVAMOTORE M.M. 10 607 MS (1600W IBMEI)	DEAD HAND SWITCH 10 607 MS (1600W IBMEI)	INT. MAIN MORTE 10 607 MS (1600W IBMEI)	TOT MANSCHALTER 10 607 MS (1600W IBMEI)	1
36	22192000/1	FASCETTA ANCORAGGIO	ANCHOR CLAMP	COLLIER ANCRAGE	BOWDENZUGHALTER	2
37	22192151/0	FERMACAVO	FAIR LEAD	FIXATION CABLE	KABELBEFESTIGUNG	1
38	22195101/0	FERMACAVO	FAIR LEAD	FIXATION CABLE	KABELBEFESTIGUNG	1
39	22735537/0	SETTORE REGOLAZIONE	ADJUSTERS SECTOR	SECTEUR REGLAGE	VERSTELLUNGSSEKTOR	4
40	81005082/0	SUPPORTO RUOTA	WHEEL SUPPORT	SUPPORT ROUE	RADHALTER	4
41	81003273/0	LEVA REGOLAZIONE	ADJUSTMENT LEVER	LEVIER REGLAGE	VERSTELLUNGHEBEL	4
42	22171001/0	DISTANZIALE	SPACER	ENTRETOISE	DISTANZRING	4
43	12793701/0	VITE	SCREW	VIS	SCHRAUBE	4
43A	12521350/0	RONDELLA	WASHER	RONDELLE	SCHIBE	4
44	12523070/0	RONDELLA	WASHER	RONDELLE	SCHIBE	4
45	12583500/0	GROWER	GROWER	GROWER	FEDERRING	4
46	12293200/0	DADO	NUT	ECROU	MUTTER	4
47	81007325/0	RUOTA Ø 170 NERA	BALCK WHEEL Ø 170	ROUE NOIRE Ø 170	SCHWARZE RAD Ø 170	4
48	12523060/0	RONDELLA	WASHER	RONDELLE	SCHIBE	4
49	12293201/0	DADO	NUT	ECROU	MUTTER	4
50	22110262/0	COPRIMOZZO BIANCO	WHITE HUB CAP	COUVRE-MOYEU BLANCHE	WEISSE RADKAPPE	4
—	22110263/0	COPRIMOZZO GIALLO	YELLOW HUB CAP	COUVRE-MOYEU JAUNE	GELBE RADKAPPE	4

VARIANTI RUOTE Ø 170 SU BOCCOLE

WHEELS VARIANTS Ø 170 ON BUSCHINGS

VARIANTES ROUES Ø 170 SUR DOUILLES

AENDERUNGEN AUF RAEDER Ø 170 MIT BÜCHSEN

51	81007326/0	RUOTA NERA	BLACK WHEEL	ROUE NOIRE	SCHWARZE RAD	4
52	22034508/0	BOCCOLA	BUSCHING	DOUILLE	BÜCHSE	8
54	12521350/0	RONDELLA	WASHER	RONDELLE	SCHIBE	4
55	12155000/0	DADO	NUT	ECROU	MUTTER	4
101	98004000/0	ASS. SACCO IN TELA	CANVASS GRASSCATCHER ASS.Y	ENSEMBLE SAC EN TOILE	KOMPLETTER SACK	1
102	81006408/0	TELAIO	CHASSIS	CHASSIS	RAHMEN	1
103	81002105/1	TELA SACCO	FABRIC BOX	TOILE POUR SAC	TUCK FÜR SACK	1
111	98005000/1	SACCO COMPLETO	COMPLETE GRASS-BOX	SAC COMPLET	KOMPLETTER KORB	1
112	22486076/0	PARTE SUP. SACCO	UPPER GRASS-BOX	PARTIE SUP. SAC	KORB OBERTEIL	1
113	22486077/0	PARTE INF. SACCO	LOWER GRASS-BOX	PARTIE INF. SAC	KORB UNTERTEIL	1
—	81008596/0	DOTAZIONE VITERIA	SCREWS OUTFIT	DOTATION VISSERIE	SCHRAUBEN SATZ	1