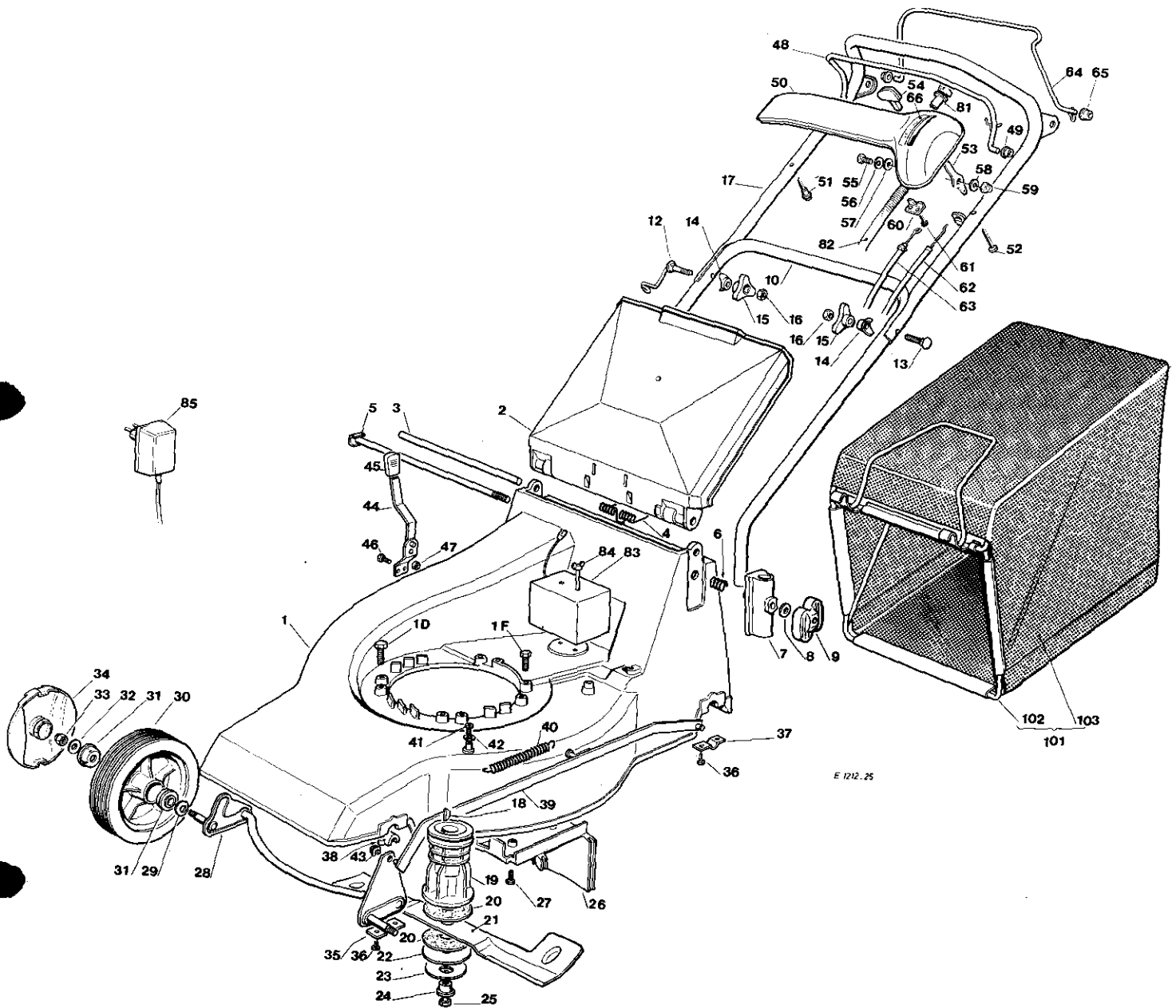


VISTE ESPLOSE  
EXPLODED VIEWS

VUES ECLATEES  
SPRENGZEICHNUNGEN

PA 504 TR  
PA 504 TR-E 001

Mod. 1996

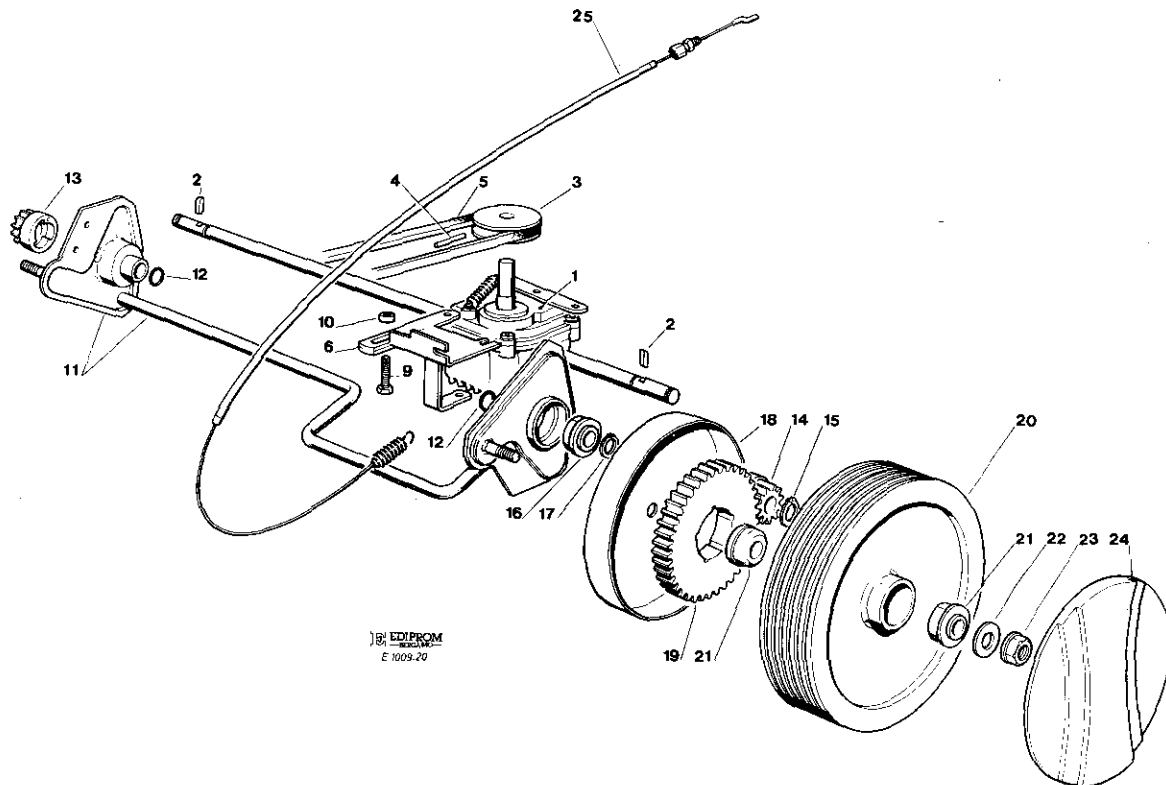


E 1212.25

Pos. Nr.	Codice Kodex Code	Descrizione	Description	Description	Beschreibung	Q.tà Q.ty Q.tè Menge
1	81000297/0	CHASSIS ROSSO (PA 504 TR)	RED DECK (PA 504 TR)	CHASSIS ROUGE (PA 504 TR)	ROTES GEHÄUSE (PA 504 TR)	1
—	81000780/0	CHASSIS ROSSO (PA 504 TR-E)	RED DECK (PA 504 TR-E)	CHASSIS ROUGE (PA 504 TR-E)	ROTES GEHÄUSE (PA 504 TR-E)	1
—	81000294/0	CHASSIS GIALLO (PA 504 TR)	YELLOW DECK (PA 504 TR)	CHASSIS JAUNE (PA 504 TR)	GELBES GEHÄUSE (PA 504 TR)	1
—	81000295/0	CHASSIS GIALLO (PA 504 TR-E)	YELLOW DECK (PA 504 TR-E)	CHASSIS JAUNE (PA 504 TR-E)	GELBES GEHÄUSE (PA 504 TR-E)	1
—	81001448/0	CHASSIS VERDE (PA 504 TR)	GREEN DECK (PA 504 TR)	CHASSIS VERT (PA 504 TR)	GRÜNES GEHÄUSE (PA 504 TR)	1
—	81001449/0	CHASSIS VERDE (PA 504 TR-E)	GREEN DECK (PA 504 TR-E)	CHASSIS VERT (PA 504 TR-E)	GRÜNES GEHÄUSE (PA 504 TR-E)	1
1A	12691800/0	VITE (M8x60)	SCREW (M8x60)	VIS (M8x60)	SCHRAUBE (M8x60)	3/2
1B	12692080/0	VITE (M8x90)	SCREW (M8x90)	VIS (M8x90)	SCHRAUBE (M8x90)	0/1
1C	12521350/0	RONDELLA	WASHER	RONDELLE	SCHIEBE	3
1D	12155000/0	DADO	NUT	ECROU	MUTTER	3
2	22600010/1	PARASASSI	STONE-GUARD	PARE-PIERRES	PRALLBLECH	1

Pos. Nr.	Codice Kodex Code	Descrizione	Description	Description	Beschreibung	Q.tà Q.ty Q.tè
3	22517854/0	PERNO	PIN	PIVOT	BOLZEN	1
4	22450700/0	MOLLA	SPRING	RESSORT	FEDER	1
5	81001210/0	ASSE FULCRO MANICO	HANDLE FULCRUM AXLE	POINT D'APPUI MANCHERON	HEBELSTÜTZE FÜR HOLM	1
6	22446190/0	MOLLA	SPRING	RESSORT	FEDER	2
7	22785065/0	SUPPORTO MANICO	HANDLE SUPPORT	SUPPORT MANCHERON	GRIFFHALTER	2
8	12521360/0	RONDELLA	WASHER	WASHER	RONDELLE	1
9	81200000/0	MANOPOLA	KNOB	POIGNÉE	GRIFF	1
10	81007016/1	PARTE INFERIORE MANICO	LOWER HANDLE	PARTIE INF. MANCHERON	UNTERHOLM	1
12	81003801/0	MOLLA	SPRING	RESSORT	FEDER	1
13	12819201/0	VITE	SCREW	VIS	SCHRAUBE	1
14	22680006/1	RONDELLA	WASHER	RONDELLE	SCHRAUBE	2
15	22399900/0	MANOPOLINA	KNOB	POIGNÉE	GRIFF	2
16	12293200/0	DADO	NUT	ECROU	MUTTER	2
17	81007006/1	PARTE SUPERIORE MANICO	UPPER HANDLE	PARTIE SUP. MANCHERON	HOLMOBERTEIL	1
18	12139100/0	LINGUETTA	KEY	LANGUETTE	KEIL	1
19	22465609/0	MOZZO CON PULEGGIA	HUB WITH PULLEY	MOYEU AVEC POULIE	NABE MIT SCHEIBE	1
20	22672110/1	RONDELLA FRIZIONE	CLUTCH WASHER	RONDELLE FRICTION	KUPPLUNGSSCHEIBE	2
21	81004395/1	COLTELLO ALETTATO	WINGS BLADE	LAME A AILETTES	FLUEGELMESSER	1
22	22672105/0	RONDELLA	WASHER	RONDELLE	SCHRAUBE	1
23	12508120/0	MOLLA A TAZZA	CONICAL SPRING	RESSORT	TELLERFEDER	1
24	22041940/0	BUSSOLA FRIZIONE	CLUTCH BUSH	DOUILLE FRICTION	KUPPLUNGSSCHEIBE	1
25	12736825/0	VITE	SCREW	VIS	SCHRAUBE	1
26	22060880/0	CARTER PROTEZIONE	BELT GUARD	CARTER PROTECTION	SCHUTZGEHÄUSE	1
27	12728625/0	VITE	SCREW	VIS	SCHRAUBE	2
28	81001212/0	ASSE RUOTE ANTERIORI	FRONT WHEELS AXLE	AXE ROUES AVANT	VORDERRADACHSE	1
29	12530150/0	ROSETTA ELASTICA	GROWER	RONDELLE ELASTIQUE	FEDERSCHEIBE	2
30	81007311/0	RUOTA NERA Ø 170	BLACK WHEEL Ø 170	ROUE NOIRE Ø 170	SCHWARZES RAD Ø 170	2
31	22122200/0	CUSCINETTO	BEARING	COUSSINET	KUGELLAGER	4
32	12521350/0	RONDELLA	WASHER	RONDELLE	SCHRAUBE	2
33	12155000/0	DADO	NUT	ECROU	MUTTER	2
34	22110252/0	COPRIMOZZO BIANCO	WHITE HUB CAP	COUVRE-MOYEU BLANC	WEISSE RADKAPPE	2
—	22110254/0	COPRIMOZZO GIALLO	YELLOW HUB CAP	COUVRE-MOYEU JAUNE	GELBE RADKAPPE	2
35	22545142/0	PIASTRINA	PLATE	PLAQUETTE	PLÄTTCHEN	2
36	12731350/0	VITE	SCREW	VIS	SCHRAUBE	8
37	22545152/0	PIASTRINA	PLATE	PLAQUETTE	PLÄTTCHEN	2
38	22038401/0	BRONZINA	BUSH	COUSSINET	BRONZELAGER	2
39	81001220/0	ASTA	ROD	TIGE	STANGE	1
40	22446180/0	MOLLA	SPRING	RESSORT	FEDER	1
41	12729600/0	VITE	SCREW	VIS	SCHRAUBE	1
42	12523040/0	ROSETTA	WASHER	RONDELLE	SCHRAUBE	1
43	12436050/0	PIASTRINA	PLATE	PLAQUETTE	PLÄTTCHEN	2
44	81003277/0	LEVA REGOLAZIONE RUOTE	ADJUSTMENT LEVER	LEVIER REGLAGE ROUES	RADVERSTELLUNGSEBEL	1
45	22397000/0	MANOPOLINA	KNOB	POIGNÉE	GRIFF	1
46	12789000/0	VITE	SCREW	VIS	SCHRAUBE	2
47	12154330/0	DADO	NUT	ECROU	MUTTER	2
48	81003291/1	LEVA FRENO MOTORE	BRAKE LEVER	LEVIER FREIN MOTEUR	MOTORBREMSEHEBEL	1
49	22041966/0	BOCCOLA	BUSH	DOUILLE	BUCHSE	2
50	22120154/0	CRUSCOTTO ROSSO	RED DASH BOARD	CONSOLE ROUGE	RDTE KONSOLE	1
—	22120152/0	CRUSCOTTO GIALLO	YELLOW DASH BOARD	CONSOLE JAUNE	GELBE KONSOLE	1
—	22120158/0	CRUSCOTTO NERO	BLACK DASH BOARD	CONSOLE NOIRE	SCHWARZE KONSOLE	1
51	22943006/0	VITE	SCREW	VIS	SCHRAUBE	1
52	12728460/0	VITE	SCREW	VIS	SCHRAUBE	1
53	22319304/1	LEVA	LEVER	LEVIER	HEBEL	1
54	22394641/0	MANOPOLINA	KNOB	POIGNÉE	GRIFF	1
55	12791500/0	VITE	SCREW	VIS	SCHRAUBE	1
56	12530060/0	RONDELLA ELASTICA	SPRING WASHER	RONDELLE ELASTIQUE	ELASTISCHE SCHEIBE	1
58	12523040/0	RONDELLA	WASHER	RONDELLE	SCHRAUBE	2
59	12154510/0	DADO	NUT	ECROU	MUTTER	1
60	22981467/0	PIASTRINA FISSAGGIO	PLATE	PLAQUETTE	PLATTE	1
61	12735105/0	VITE	SCREW	VIS	SCHRAUBE	2
62	81007160/0	ASSIEME ACCELERATORE	TROTTLE UNIT ASS.Y	ENS. ACCELERATEUR	SCHLEUNIGER	1
63	81000622/2	ASS. CAVO FRENO MOTORE (TECUMSEH)	THREAD MOTOR ASS.Y (TECUMSEH)	CABLE FREIN MOTEUR (TECUMSEH)	MOTORBREMSEKABEL (TECUMSEH)	1
—	81000632/0	ASS. CAVO FRENO MOTORE (QUANTUM XM)	THREAD MOTOR ASS.Y (QUANTUM XM)	CABLE FREIN MOTEUR (QUANTUM XM)	MOTORBREMSEKABEL (QUANTUM XM)	1
—	81000620/1	ASS. CAVO FRENO MOTORE (SPRINT 375/QUATTRO/GXV 140)	THREAD MOTOR ASS.Y (SPRINT 375/QUATTRO/GXV 140)	CABLE FREIN MOTEUR (SPRINT 375/QUATTRO/GXV 140)	MOTORBREMSEKABEL (SPRINT 375/QUATTRO/GXV 140)	1
64	81003288/0	LEVA COMANDO TRAZIONE	DRIVE CONTROL LEVER	COMMANDE TRACTION	ANTRIEBSHEBEL	1
65	22041965/0	BUSSOLA	BUSH	DOUILLE	BUCHSE	2
66	14356743/0	ETICHETTA (TECUMSEH-HONDA)	LABEL (TECUMSEH-HONDA)	ETIQUETTE (TECUMSEH-HONDA)	ETIKETTE (TECUMSEH-HONDA)	1
—	14356744/0	ETICHETTA (B&S)	LABEL (B&S)	ETIQUETTE (B&S)	ETIKETTE (B&S)	1
81*	18450050/0	INTERRUTTORE	SWITCH	INTERRUPTEUR	SCHALTER	1
82*	18204190/1	ASS. CABLAGGIO	CABLES UNIT	ENS. CABLAGE	KABEL	1
83*	18120050/0	BATTERIA	BATTERY	BATTERIE	BATTERIE	1
83A	81006847/0	PROTEZIONE BATTERIA (B&S)	BATTERY GUARD (B&S)	PROTECTION BATTERIE (B&S)	BATTERIE SCHUTZ (B&S)	1
84	22517855/0	PERNO	PIN	PIVOT	BOLZEN	2
84A	12523000/0	RONDELLA	WASHER	RONDELLE	SCHRAUBE	2
84B	12540020/0	RONDELLA	WASHER	RONDELLE	SCHRAUBE	2
85*	18204110/0	CARICA BATTERIA	BATTERY CHARGER	CHARGEUR DE BATTERIE	LADGERÄT	1
101	90006000/0	ASS. SACCO IN TELA	CANVASS GRASSCATCHER	ENSEMBLE SAC EN TOILE	KOMPLETTER SACK	1
102	81006425/0	TELAIO	CHASSIS	CHASSIS	RAHMEN	1
103	81002106/0	TELA SACCO	FABRIC BOX	TOILE POUR SAC	TUCK FÜR SACK	1
—	81008615/0	DOTAZIONE VITERIA	SCREWS OUTFIT	DOTATION VISSERIE	SCHRAUBEN SATZ	1
—	81008609/0	DOTAZIONE CRUSCOTTO	DASH-BOARD OUTFIT	DOTATION CONSOLE	KONSOLE SATZ	1

DOVENDO SOSTITUIRE IN GARANZIA LE PARTI CONTRASSEGNAE CON \*-\* RIVOLGERSI AL COSTRUTTORE DEL MOTORE.  
IF YOU HAVE TO CHANGE THE PIECES INDICATED WITH \*-\* ON WARRANTY YDU ADDRESS TO AFTER SALES SERVICE OF ENGINE MANUFACTURER.  
SI VOUS DEVEZ SUBSTITUER LES PIÉCES INDICUÉES AVEC \*-\* SOUS GARANTIE VOUS DEVEZ VOUS ADRESSER AU SERVICE APRÈS VENTES DE LA MAISON CONSTRUCTRICE DU MDTEUR.  
\*-\* GEBEN SIE BEI GARANTIE REPARATUREN DER MIT \*-\* GEKENNZEICHNETEN TEILE AN DIE KUNDENDIENSTSTELLE DES MOTORHERSTELLER.



Pos. Nr.	Codice Kodex Code	Descrizione	Description	Description	Beschreibung	Q.tà Q.ty Q.tè Menge
1	18652001/1	GRUPPO TRAZIONE	REAR DRIVE	GROUPE TRACTION	ANTRIEB	1
2	22328600/1	LINGUETTA TRASCINAMENTO	DRIVING KEY	CLAVETTE	MITNEHMERLAPPEN	2
3	22601904/0	PULEGGIA	PULLEY	POULIE	RIEMENSCHLEIBE	1
4	12645705/0	SPINA	PIN	GOUPILLE	STIFT	1
5	35064150/0	CINGHIA	BELT	COURROIE	RIEMEN	1
6	81001454/0	SUPPORTO GRUPPO TRAZIONE	REAR DRIVE UNIT SUPPORT	SUPPORT GROUPE TRACTION	ANTRIEBHALTER	1
9	12793900/0	VITE	SCREW	VIS	SCHRAUBE	1
10	12293200/0	DADO	NUT	ECROU	MUTTER	1
11	81001232/2	ASSE RUOTE POSTERIORE	REAR WHEELS AXLE	AXE ROUES ARRIERE	HINTERRADDER ACHSE	1
12	12019900/0	ANELLO	RING	BAGUE	RING	2
13	22570110/0	PIGNONE DESTRO	RIGHT PINION	PIGNON DROITE	RECHTES RITZEL	1
14	22570120/0	PIGNONE SINISTRO	LEFT PINION	PIGNON GAUCHE	LINKES RITZEL	1
15-17	12608600/0	SEEGER	SEEGER	SEEGER	SEEGER	1
16	22122200/0	CUSCINETTO	BEARING	ROULEMENT	KUGELLAGER	1
18	81006846/0	PROTEZIONE RUOTE	WHEEL GUARD	PROTECTION ROUE	RAEDERSCHUTZ	2
19	22120105/1	CORONA	RING GEAR	COURONNE	KRANZ	2
20	81007313/0	RUOTA POST. Ø 210 (DISCO NERO)	REAR WHEEL Ø 210 (BLACK DISC)	ROUE ARRIERE Ø 210 (DISQUE NOIRE)	HINTERRAD Ø 210 (SCHWARZE SCHEIBE)	2
21	22122200/0	CUSCINETTO	BEARING	ROULEMENT	KUGELLAGER	4
22	12369500/0	RONDELLA	WASHER	RONDELLE	SCHEIBE	2
23	12155000/0	DADO	NUT	ECROU	MUTTER	2
24	22110251/0	COPRIMOZZO BIANCO	WHITE HUB CAP	COUVRE-MOYEU BLANC	WEISSE RADKAPPE	2
—	22110253/0	COPRIMOZZO GIALLO	YELLOW HUB CAP	COUVRE-MOYEU JAUNE	GELBE RADKAPPE	2
25	81001141/1	ASS. COMANDO TRAZIONE	REAR DRIVE ASS.Y	ENS. COMANDE TRACTION	ANTRIEB	1