

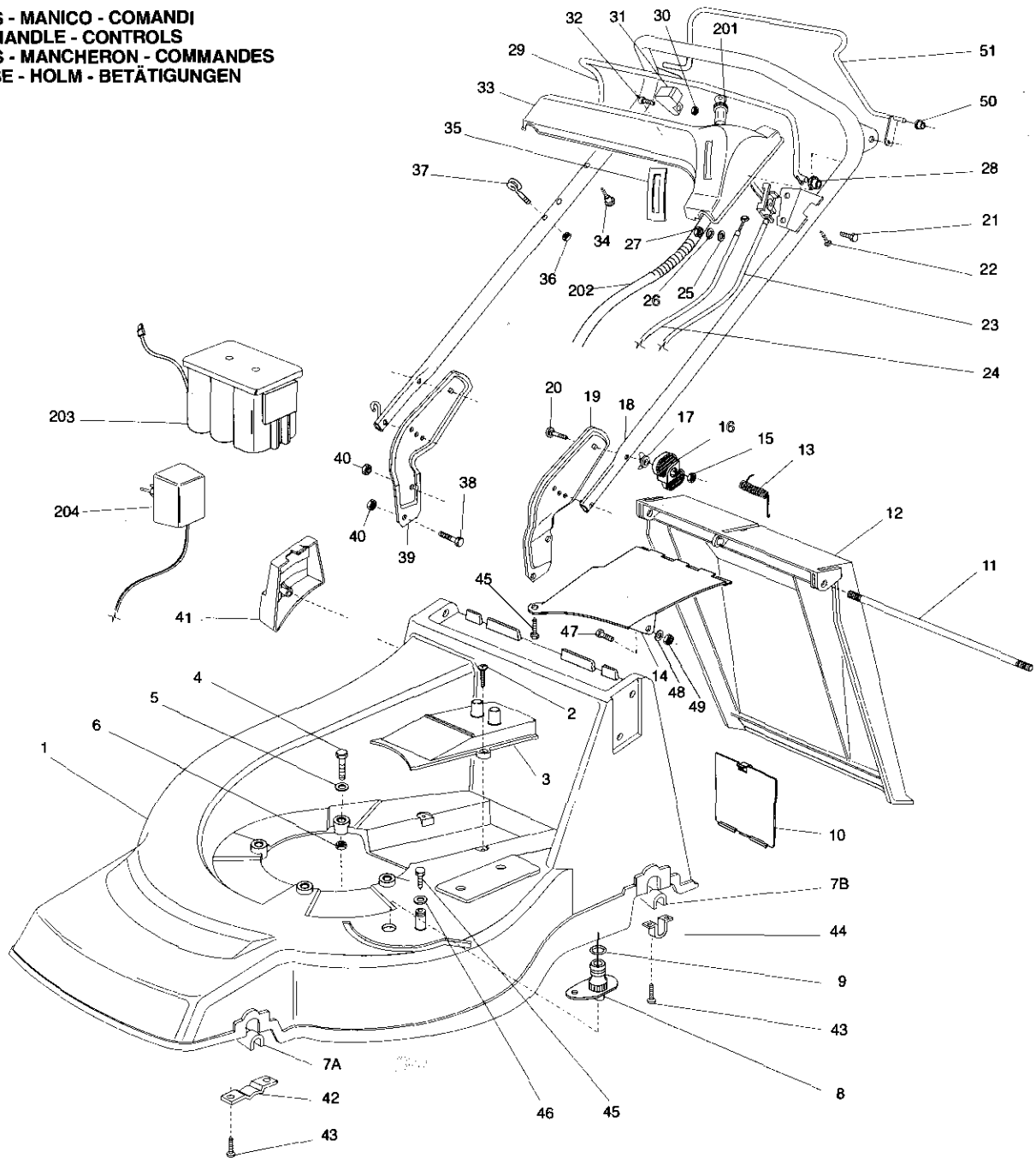
VISTE ESPLOSE
EXPLODED VIEWS

VUES ECLATEES
SPRENGZEICHNUNGEN

NP 534 TR
NP 534 TR-E

Mod. 1996

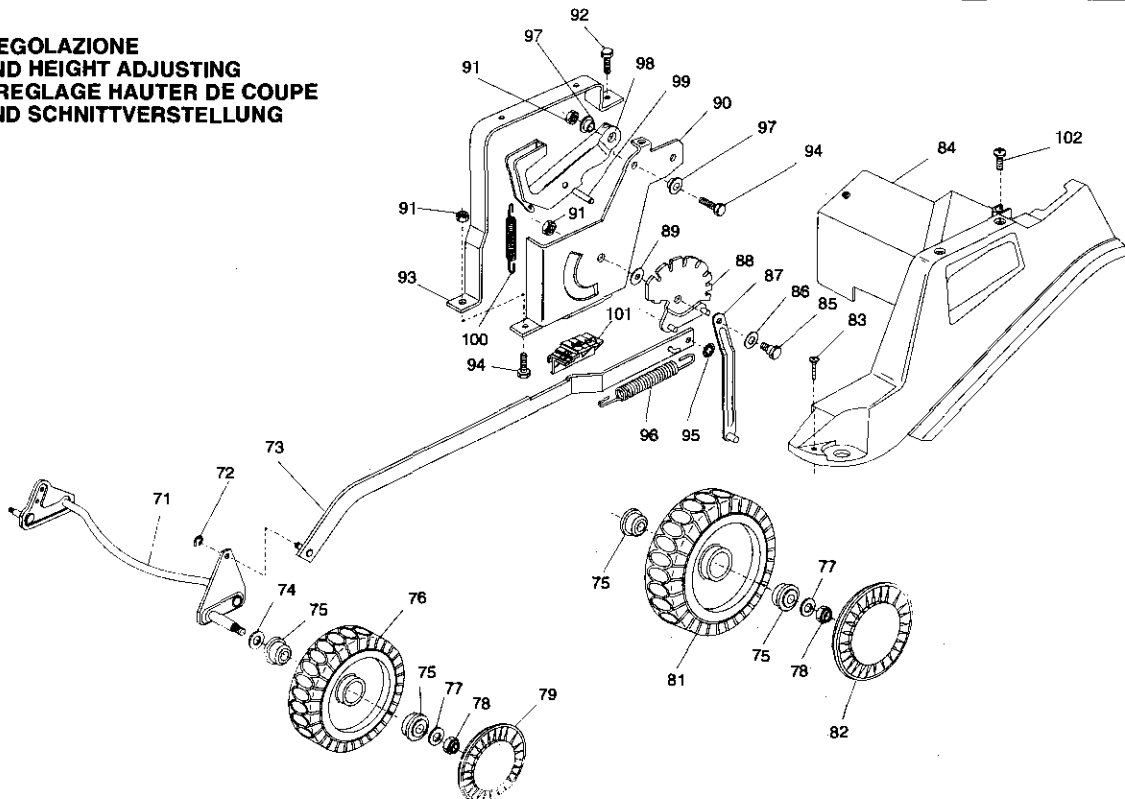
CHASSIS - MANICO - COMANDI
DECK - HANDLE - CONTROLS
CHASSIS - MANCHERON - COMMANDES
GEHÄUSE - HOLM - BETÄTIGUNGEN



Pos. Nr.	Codice Code Kodex	Descrizione	Description	Description	Beschreibung	Q.tà Q.ty-Q.tè Menge
1	81000301/0	CHASSIS ROSSO	RED DECK	CHASSIS ROUGE	GEHÄUSE ROT	1
-	81000304/0	CHASSIS GIALLO	YELLOW DECK	CHASSIS JAUNE	GEHÄUSE GELB	1
-	81000306/0	CHASSIS VERDE	GREEN DECK	CHASSIS VERT	GEHÄUSE GRÜN	1
2	12728522/0	VITE	SCREW	VIS	SCHRAUBE	2
3	22060181/0	CARTER	DECK	CHASSIS	GEHÄUSE	1
4	12691800/0	VITE	SCREW	VIS	SCHRAUBE	3/2
-	12692080/0	VITE	SCREW	VIS	SCHRAUBE	0/1
5	12521350/0	RONDELLA	WASHER	RONDELLE	SCHEIBE	3
6	12155000/0	DADO	NUT	ECROU	MUTTER	3
7A	22038400/0	BRONZINA	BUSH	DOUILLE	BUCHSE	2
7B	22038399/0	BRONZINA	BUSH	DOUILLE	BUCHSE	2
8	22034000/0	ATTACCO ACQUA LAVAGGIO	WASHING CONNECTION	ATTACHE LAVAGE	WASCHENVERBINDUNG	1
9	19035000/0	ANELLO OR	OR RING	BAGUE OR	RING OR	1
10	22595352/0	PORTINA CHIUSURA	INSPECTION DDOR	VOYANT DE VISITE	ABDECKPLATTE	1
11	22517856/0	PERNO	PIN	PIVOT	BOLZEN	1

Pos. Nr.	Code Code Kodex	Descrizione	Description	Description	Beschreibung	Q.tà Q.ty-Q.tè Menge
12	22600023/2	PARASASSI	STONE-GUARD	PARE-PIERRES	PRALLBLECH	1
13	22450270/D	MDLLA	SPRING	RESSORT	FEDER	1
14	22108205/0	CONVOGLIATORE	CONVEYOR	CONVOYEUR	KONVOYER	1
15	122932D0/0	DADO	NUT	ECROU	MUTTER	2
16	22399803/0	MANOPOLINA	KNOB	POIGNÉE	GRIFF	2
17	22680006/1	RONDELLA	WASHER	RONDELLE	SCHIBE	2
18	81007012/0	MANICD	HANDLE	MANCHERON	HOLM	1
19	22778397/D	STAFFA SX	LEFT BRACKET	BRIDE GAUCHE	LINKE PRATZE	1
20	12819120/0	VITE	SCREW	VIS	SCHRAUBE	2
21	12788910/0	VITE	SCREW	VIS	SCHRAUBE	2
22	12728460/0	VITE	SCREW	VIS	SCHRAUBE	1
23	81007091/D	ACCELERATORE (B&S)	TROTTLE (B&S)	ACCELERATEUR (B&S)	BESCHLEUNIGER (B&S)	1
-	81007092/0	ACCELERATORE (TECUMSEH-HONDA)	TROTTLE (TECUMSEH-HONDA)	ACCELERATEUR (TECUMSEH-HONDA)	BESCHLEUNIGER (TECUMSEH-HONDA)	1
24	81000628/0	CAVO FRENO MOTORE (HONDA)	THREAD MOTOR BRAKE (HONDA)	CABLE FREIN MOTEUR (HONDA)	MOTOR8REMSEKABEL (HDNDA)	1
-	81000629/1	CAVO FRENO MOTORE (TECUMSEH)	THREAD MOTOR BRAKE (TECUMSEH)	CABLE FREIN MOTEUR (TECUMSEH)	MOTOR8REMSEKABEL (TECUMSEH)	1
-	81000634/0	CAVO FRENO MOTORE (B&S)	THREAD MOTOR BRAKE (B&S)	CABLE FREIN MOTEUR (B&S)	MDTR8REMSEKABEL (B&S)	1
25	12523D20/0	RONDELLA	WASHER	RONDELLE	SCHIBE	2
26	1258150D/0	RONDELLA	WASHER	RONDELLE	SCHIBE	2
27	122910D0/0	DADO	NUT	ECROU	MUTTER	2
28	22041966/0	BUSSOLA	BUSH	DOUILLE	BUCHSE	2
29	81003289/0	LEVA	LEVER	LEVIER	HEBEL	1
30	12290800/0	DADO	NUT	ECROU	MUTTER	2
31	22399801/0	MANOPOLINA	KNOB	POIGNÉE	GRIFF	1
32	12726388/0	VITE	SCREW	VIS	SCHRAUBE	2
33	2212015D/0	CRUSCOTTO ROSSO	RED DASH-BOARD	CONSOLE ROUGE	KONSOLE ROT	1
-	22120148/0	CRUSCOTTO GIALLO	YELLOW DASH-BOARD	CONSOLE JOUNE	KONSOLE GELB	1
-	22120164/0	CRUSCOTTO NERO	BLACK DASH BOARD	CONSOLE NOIRE	KONSOLE SCHWARZ	1
34	22943006/D	VITE	SCREW	VIS	SCHRAUBE	1
35	14356692/D	ETICHETTA (TECUMSEN-HONDA)	LABEL (TECUMSEN-HONDA)	ETIQUETTE (TECUMSEN-HONDA)	ETIKETTE (TECUMSEN-HONDA)	1
-	14356693/0	ETICHETTA (B&S)	LABEL (B&S)	ETIQUETTE (B&S)	ETIKETTE (B&S)	1
36	12154330/0	DADO	NUT	ECROU	MUTTER	1
37	22430309/0	MOLLA GUIDA	SPRING	RESSORT	FEDER	1
38	12793301/0	VITE	SCREW	VIS	SCHRAUBE	2
39	22778396/0	STAFFA DX	RIGHT BRACKET	BRIDE DROITE	RECHTE PRATZE	1
40	12155000/0	DADO	NUT	ECROU	MUTTER	4
41	226D1001/0	PROTEZIONE	PROTECTION	PROTECTION	SCHUTZ	1
42	22545156/0	PIASTRINA	PLATE	PLAQUETTE	PLATTE	2
43	12731350/0	VITE	SCREW	VIS	SCHRAUBE	8
44	22545152/0	PIASTRINA	PLATE	PLAQUETTE	PLATTE	2
45	12729600/0	VITE	SCREW	VIS	SCHRAUBE	2
46	12523040/0	RONDELLA	WASHER	RONDELLE	SCHIBE	1
47	12789DD0/D	VITE	SCREW	VIS	SCHRAUBE	2
48	12523020/0	RONDELLA	WASHER	RONDELLE	SCHIBE	1
49	12154330/0	DADO	NUT	ECROU	MUTTER	1
50	22041965/0	BUSSOLA	BUSH	DOUILLE	BUCHSE	2
51	81003288/0	LEVA TRAZIONE	DRIVING LEVER	LEVIER TRACTION	ANTRIEBHEBEL	1
Varianti per avviamento elettrico			Parts of electric start		Composants pour démarrage électrique	
201*	18450050/0	INTERRUTTORE	SWITCH	INTERRUPTEUR	SCHALTER	1
202*	18204190/1	CAVO AVVIAMENTO	CABLES UNIT	ENS CABLAGE	KABEL	1
203*	1812005D/0	BATTERIA	BATTERY 12V-2.5AH	BATTERIE 12V-2.5HA	BATTERIE 12V-2.5AH	1
204*	18204110/0	CARICA BATTERIA	BATTERY CHARGER	CHARGEUR DE BATTERIE	LADGERAET	1

**RUOTE E REGOLAZIONE
WHEELS AND HEIGHT ADJUSTING
ROUES ET REGLAGE HAUTEUR DE COUPE
RAEDER UND SCHNITTVERSTELLUNG**



Dovendo sostituire in garanzia le parti contrassegnate con* rivolgersi al costruttore del motore

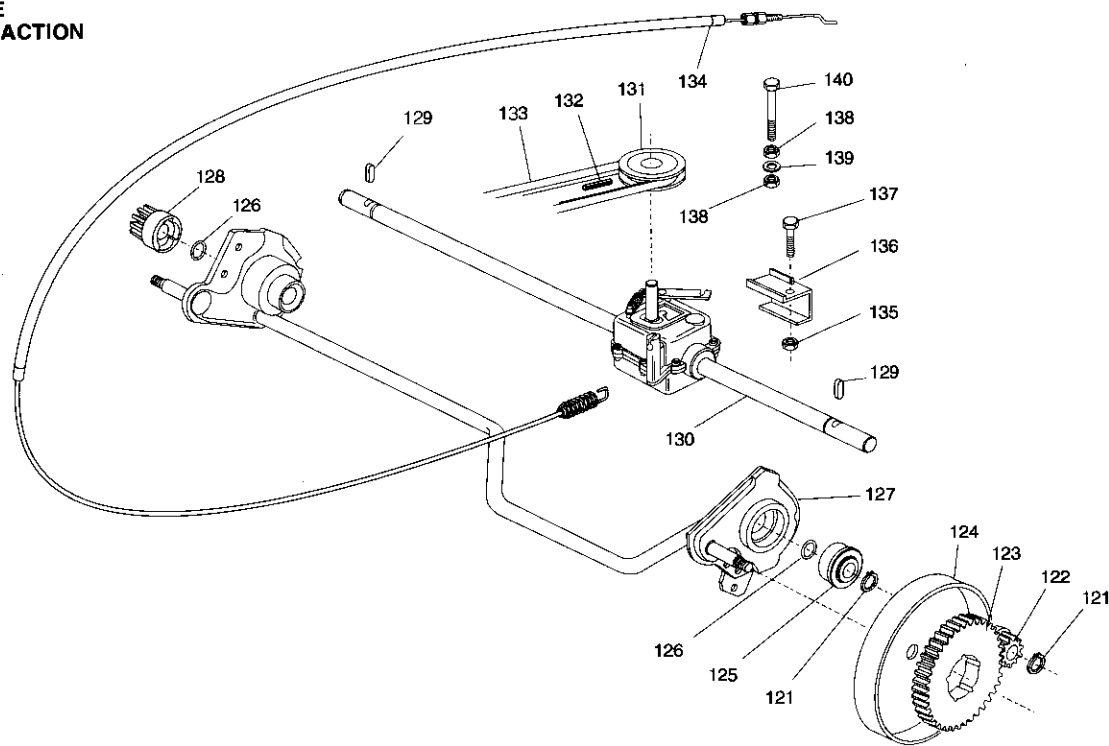
If you have to change the pieces indicated with * on warranty you adress to after sales service of Engine Manufacturer

Si vous devez substituer les pièces indiquées avec * sous garantie vous devez vous adresser au service après ventes de la Mainsan

Bitte wenden sie sich bei Garantiereparaturen der mit * gekennzeichneten Teile an die Kundenienststelle des Motarhersteller

Pos. Nr.	Codice Code Kodex	Descrizione	Description	Description	Beschreibung	Q.tà Q.ty-Q.tè Menge
71	81002801/0	ASSE RUOTE ANTERIORI	FRONT WHEELS AXLE	AXE ROUES AVANT	VORDERRADACHSE	1
72	12000930/0	ANELLO ELASTICO	ELASTIC RING	ANNEAU ELASTIQUE	ELASTISCHER RING	2
73	81001134/0	ASTA COMANDO	ADJUSTMENT ROD	TIGE COMMANDE	STELLSTAB	1
74	12530150/0	RONDELLA ELASTICA	ELASTIC WASHER	RONDELLE ELASTIQUE	ELASTISCHE SCHEIBE	2
75	22122200/0	CUSCINETTO	BEARING	COUSSINET	KUGELLAGER	8
76	81007317/0	RUOTA SCOLPITA Ø 170	KNOBBLY WHEEL Ø 170	ROUE SCULPTEE Ø 170	RAD. M. STOLLENPR. Ø 170	2
77	12521350/0	RONDELLA	WASHER	RONDELLE	SCHEIBE	4
78	12155000/0	DADO	NUT	ECROU	MUTTER	4
79	22110282/0	COPRIMOZZO BIANCO	WHITE HUB CAP	COUVRE-MOYEU BLANCHE	WEISSE RADKAPPE	2
-	22110282/0	COPRIMOZZO GIALLO	YELLOW HUB CAP	COUVRE-MOYEU JAUNE	GELBE RADKAPPE	2
81	81007318/0	RUOTA SCOLPITA Ø 210	KNOBBLY WHEEL Ø 210	ROUE SCULPTEE Ø 210	RAD. M. STOLLENPR. Ø 210	2
82	22110281/0	COPRIMOZZO BIANCO	WHITE HUB CAP	COUVRE-MOYEU BLANCHE	WEISSE RADKAPPE	2
-	22110287/0	COPRIMOZZO GIALLO	YELLOW HUB CAP	COUVRE-MOYEU JAUNE	GELBE RADKAPPE	2
83	12728519/0	VITE	SCREW	VIS	SCHRAUBE	3
84	22060144/0	CARTER REGOLAZIONE	DECK	CHASSIS	VERSTELLUNGSGEHÄUSE	1
85	22529662/0	PERNO FULCRO	FULCRUM PIN	PIVOT	BOLZEN	1
86	22672151/0	RONDELLA	WASHER	RONDELLE	SCHEIBE	1
87	81001269/0	ASTA ASSE POSTERIORE	ROD REARAXLE	BARRE AXE POSTERIEUR	HINTERACHSESTAB	1
88	22735549/0	SETTORE DI REGOLAZIONE	ADJUSTMENT SECTOR	SECTEUR REGLAGE	VERSTELLUNGSSEKTOR	1
89	22672152/0	RONDELLA	WASHER	RONDELLE	SCHEIBE	1
90	22785109/0	SUPPORTO REGOLAZIONE	SUPPORT	SUPPORT REGLAGE	VERSTELLUNGSHALTER	1
91	12293201/0	DADO	NUT	ECROU	MUTTER	4
92	12729600/0	VITE	SCREW	VIS	SCHRAUBE	1
93	22785113/0	SUPPORTO MANIGLIA	HANDLE SUPPORT	SUPPORT POIGNEE	GRIFFHALTER	1
94	12793301/0	VITE	SCREW	VIS	SCHRAUBE	3
95	12604899/0	ANELLO ELASTICO	ELASTIC RING	ANNEAU ELASTIQUE	ELASTISCHER RING	2
96	22446180/0	MOLLA	SPRING	RESSORT	FEDER	1
97	25038002/0	BUSSOLA	BUSH	DOUILLE	BUCHSE	2
98	22393611/0	MANIGLIA	HANDLE	POIGNEE	GRIFF	1
99	12622640/0	SPINA	PIN	GOUPILLE	STIFT	1
100	22446175/0	MOLLA	SPRING	RESSORT	FEDER	1
101	22570200/0	PLACCHETTA POSIZIONI	POSITION PLATE	PLAQUETTE REGLAGE	VERSTELLUNGSPLATTE	1
102	12728520/0	VITE	SCREW	VIS	SCHRAUBE	1

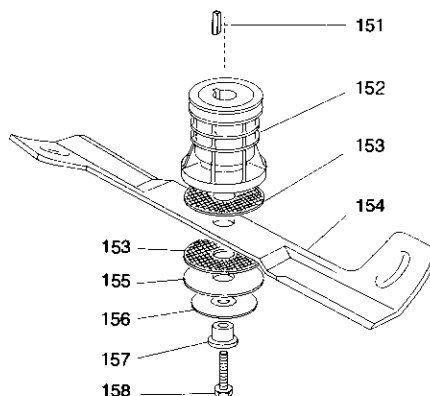
**GRUPPO TRAZIONE
REAR DRIVE
GROUPE TRACTION
ANTRIEB**



121	12608600/0	SEGER	SEGER	SEGER	SEGER	4
122	22570120/0	PIGNONE SINISTRO	LEFT PINION	PIGNON GAUCHE	RECHT RITZEL	1
123	22120105/1	CORONA	RING GEAR	COURONNE	KRANZ	2
124	81006846/0	PROTEZIONE RUOTE	WHEEL GUARD	PROTECTION ROUE	RAEDERSCHUTZ	2
125	22122200/0	CUSCINETTO	BEARING	ROULEMENT	KUGELLAGER	2
126	12019900/0	ANELLO OR	OR RING	BAGUE OR	RING OR	2
127	81002806/0	ASSE RUOTE POSTERIORI	REAR WHEELS AXLE	AXE ROUES ARRIERE	HINTERRADDER ACHSE	1
128	22570110/0	PIGNONE DESTRO	RIGHT PINION	PIGNON DROITE	LINCHT RITZEL	1
129	22328600/1	LINGUETTA TRASCINAMENTO	DRIVING KEY	CLAVETTE	MITNEHMER LAPPEN	2
130	18652003/0	GRUPPO TRAZIONE	REAR DRIVE	GROUPE TRACTION	ANTRIEB	1
131	22601904/0	PULEGGIA	PULLEY	POULIE	RIEMENSCHLEIBE	1
132	12645705/0	SPINA	PIN	GOUPILLE	STIFT	1
133	35064195/0	CINGHIA Z 33	BELT Z 33	COURROIE Z 33	RIEMEN Z 33	1
134	81001145/0	COMANDO TRAZIONE	REAR DRIVE	ENTRETOISE	DISTANZRING	1
135	12154500/0	DADO	NUT	ECROU	MUTTER	1
136	22806315/0	SUPPORTO TRAZIONE	SUPPORT	SUPPORT	ANTRIEBHALTER	1

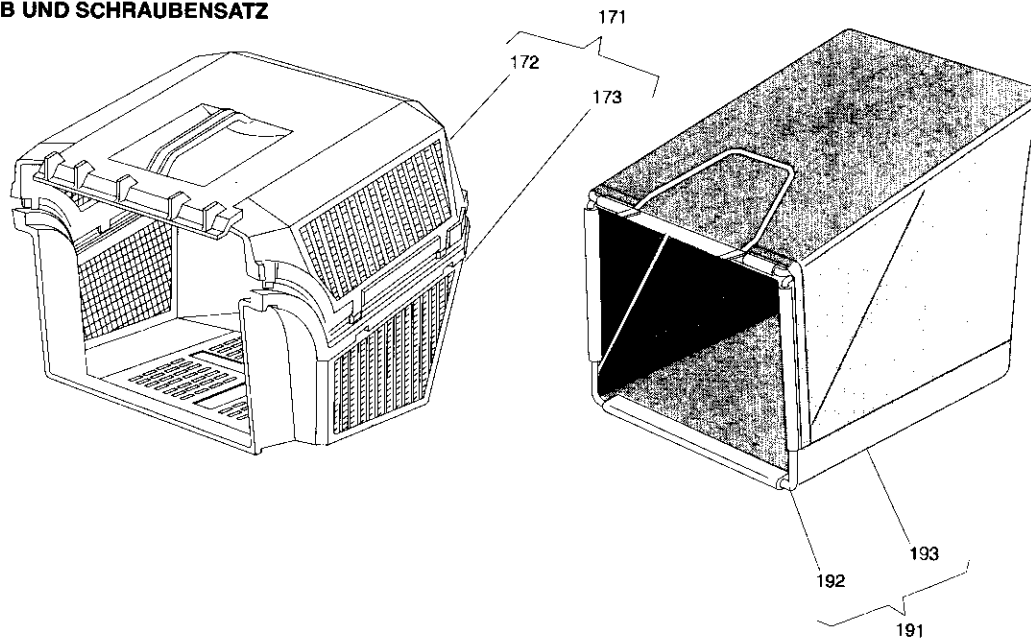
Pos. Nr.	Codice Code Kodex	Descrizione	Description	Description	Beschreibung	Q.tà Q.ty-Q.tè Menge
137	12689515/0	VITE	SCREW	VIS	SCHRAUBE	1
138	12293200/0	DADO	NUT	ECROU	MUTTER	2
139	12521350/0	RONDELLA	WASHER	RONDELLE	SCHEIBE	1
140	12793900/0	VITE	SCREW	VIS	SCHRAUBE	1

**GRUPPO COLTELLO
BLADE ASS.Y
GROUPE DES LAMES
MESSERSATZ**



151	12139100/0	LINGUETTA	FEATHER	CLAVETTE	KEI	1
152	22465611/0	MOZZO	HUB	MOYEU	HALTER	1
153	22672110/1	RONDELLA FRIZIONE	CLUTCH WASHER	RONDELLE FRICTION	KUPPLUNGSSCHEIBE	2
154	81004398/0	COLTELLO	BLADE	LAME	MESSER	1
155	12508120/0	MOLLA A TAZZA	CUPPED SPRING	RESSORT	TELLER FEDER	1
156	22672105/0	RONDELLA	WASHER	RONDELLE	SCHEIBE	1
157	22041940/0	BUSSOLA FRIZIONE	CLUTCH BUSH	DOUILLE FRICTION	KUPPLUNGSSCHEIBE	1
158	12736850/0	VITE	SCREW	VIS	SCHRAUBE	1

**SACCO RACCOGLIERBA E DOTAZIONE
GRASS-CATCHER AND SCREWS OUTFITS
BAC DE RAMASSAGE ET DOTATION VISSERIE
GRASFANGKORB UND SCHRAUBENSATZ**



171	96500000/0	SACCO CDMPLETO	COMPLETE GRASS-BOX	BAC COMPLETE	KOMPLETER KORB	1
172	22486065/0	PARTE SUPER. SACCO	UPPER GRASS-BOX	PARTE SUPERIEURE SAC	KORB OBERTEIL	1
173	22486064/0	PARTE INFER. SACCO	LOWER GRASS-BDX	PARTE INFERIEURE SAC	KORB UNTERTEIL	1
191	96400000/0	ASS. SACCO TELA	CANVASS GRASSCATCHER ASS.Y	ENSEMBLE SAC EN TOILE	KOMPLETTER SACK	1
192	81006430/0	TELAIO	CHASSIS	CHASSIS	RAHMEN	1
193	81002124/0	TELA SACCO	FABRIC BOX	TOILE POUR SAC	TUCK FÜR SACK	1
-	81008610/0	DOTAZIONE VITERIA	SCREWS OUTFIT	DOTATION VISSERIE	SCHRAUBEN SATZ	1
-	81008499/1	DOTAZIONE CRUSCOTTO	DASH BOARD OUTFIT	DOTATION CONSOLE	KONSOLE SATZ	1