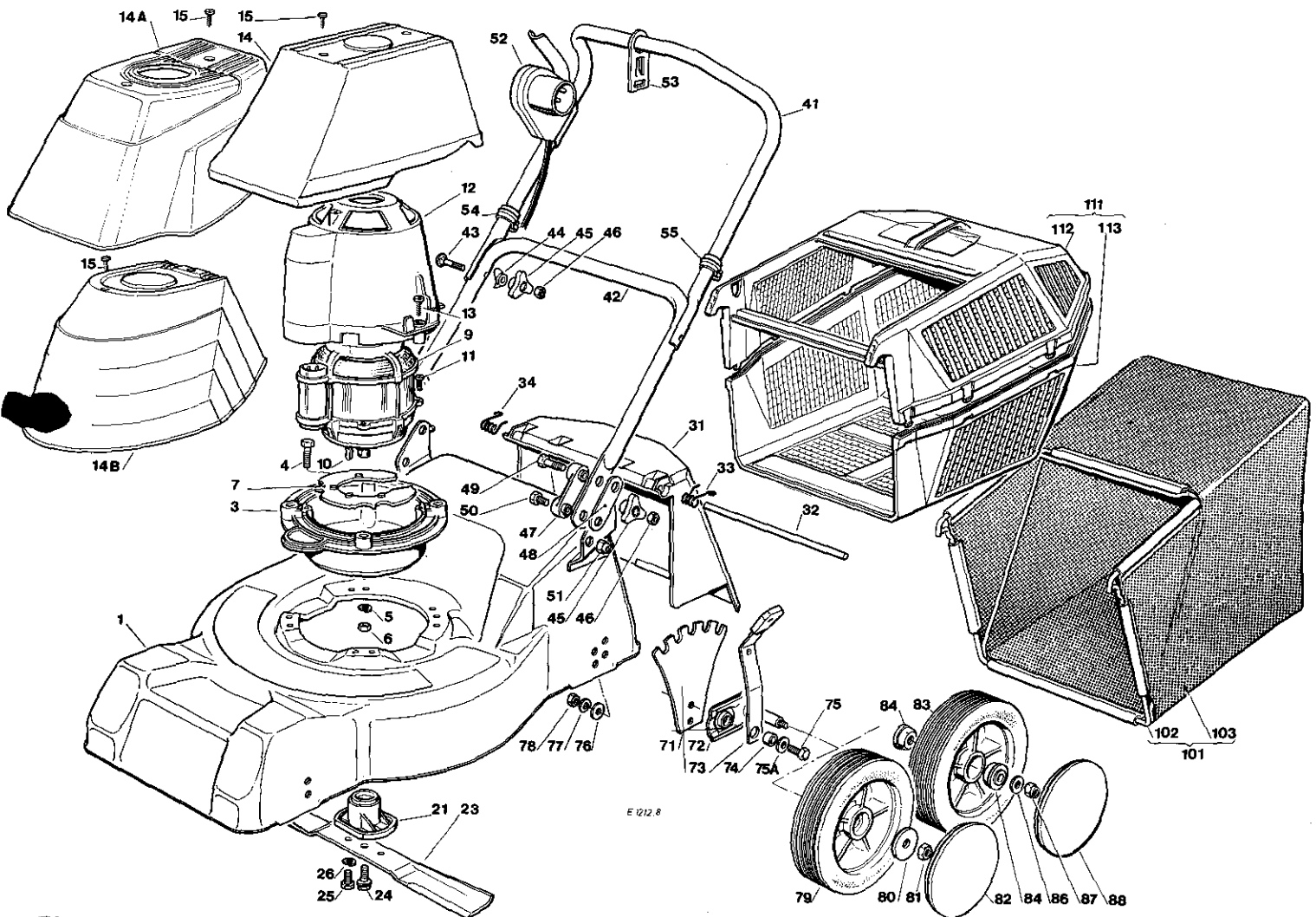


VISTE ESPLOSE
EXPLODED VIEWS

VUES ECLATEES
SPRENGZEICHNUNGEN

NG 410
NG 460

Mod. 1996



Pos. Nr.	Codice Kodex Code	Descrizione	Description	Description	Beschreibung	Q.tà Q.ty Q.té Menge
1	81001174/0	CHASSIS ROSSO (NG 410)	RED DECK (NG 410)	CHASSIS ROUGE (NG 410)	ROTES GEHÄUSE (NG 410)	1
—	81001199/0	CHASSIS GIALLO (NG 410)	YELLOW DECK (NG 410)	CHASSIS JAUNE (NG 410)	GELBES GEHÄUSE (NG 410)	1
—	81001441/0	CHASSIS VERDE (NG 410)	GREEN DECK (NG 410)	CHASSIS VERT (NG 410)	GRÜNES GEHÄUSE (NG 410)	1
—	81001175/0	CHASSIS ROSSO (NG 460)	RED DECK (NG 460)	CHASSIS ROUGE (NG 460)	ROTES GEHÄUSE (NG 460)	1
—	81001282/0	CHASSIS GIALLO (NG 460)	YELLOW DECK (NG 460)	CHASSIS JAUNE (NG 460)	GELBES GEHÄUSE (NG 460)	1
—	81001442/0	CHASSIS VERDE (NG 460)	GREEN DECK (NG 460)	CHASSIS VERT (NG 460)	GRÜNES GEHÄUSE (NG 460)	1
3	22207211/2	FLANGIA	FLANGE	BRIDE	FLANSCH	1
4	12793700/0	VITE	SCREW	VIS	SCHRAUBE	4
5	12583500/0	GROWER	GRDWER	GRDWER	FEDERRING	4
6	12293200/0	DADO	NUT	ECRDU	MUTTER	4
7	22720360/1	SCHERMO VENTILAZIONE	VENTILATION SCREEN	ECRAU VENTILATION	UFTUNGSSCHIRM	1
9	18563068/0	MOTORE IBMEI 1300W (230V)	IBMEI MOTOR 1300W (230V)	MOTEUR IBMEI 1300W (230V)	MOTOR IBMEI 1300W (230V)	1
—	18563008/0	MOTORE RST 1300W (220-230V)	RST MOTOR 1300W (220-230V)	MOTEUR RST 1300W (220-230V)	MOTOR RST 1300W (220-230V)	1
—	18563069/0	MOTORE IBMEI 1300W (240V)	IBMEI MOTOR 1300W (240V)	MOTEUR IBMEI 1300W (240V)	MOTOR IBMEI 1300W (240V)	1
—	18563061/1	MOTORE IBMEI 1600W (230V)	IBMEI MDTOR 1600W (230V)	MOTEUR IBMEI 1600W (230V)	MOTDR IBMEI 1600W (230V)	1
—	18563009/0	MOTORE RST 1600W (230V)	RST MOTOR 1600W (230V)	MDTEUR RST 1600W (230V)	MOTOR RST 1600W (230V)	1
—	18563047/1	MOTORE IBMEI 1600W (240V)	IBMEI MOTOR 1600W (240V)	MOTEUR IBMEI 1600W (240V)	MOTOR IBMEI 1600W (240V)	1
9A	18740049/0	VENTOLA PER MOTORE	MOTOR FAN	VENTILATEUR MOTEUR	LÜFTER	1

Pos. Nr.	Codice Kodex Code	Descrizione	Description	Description	Beschreibung	Q.tà Q.ty Q.te Menge
—	18740051/0	VENTOLA PER MOTORE RST	RST MOTOR FAN	VENTILATEUR MOTEUR RST	RST LÜFTER	1
9B	18222037/0	CONDENSATORE 16 µF	CONDENSER 16 µF	CONDENSEUR 16 µF	KONDENSATOR 16 µF	1
—	18222038/0	CONDENSATORE 20 µF	CONDENSER 20 µF	CONDENSEUR 20 µF	KONDENSATOR 20 µF	1
10	12139440/0	LINGUETTA	FEATHER	CLAVETTE	KEIL	1
11	12735410/0	VITE	SCREW	VIS	SCHRAUBE	4
12	22785061/0	SUPPORTO CAPOTTINA	COVER SUPPORT	SUPPORT CAPOT	HAUBEHALTER	1
13	12728710/0	VITE	SCREW	VIS	SCHRAUBE	4
14	81002056/0	ASS. CAPOTTINA	COVER ASS.Y	ENS. CAPOT	KOMPLETTE HAUBE	1
14A	81002059/0	ASS. CAPOTTINA	COVER ASS.Y	ENS. CAPOT	KOMPLETTE HAUBE	1
14B	81002057/0	ASS. CAPOTTINA	COVER ASS.Y	ENS. CAPOT	KOMPLETTE HAUBE	1
15	12728680/0	VITE	SCREW	VIS	SCHRAUBE	2
21	22463186/1	MOZZO	HUB	MOYEU	HALTER	1
23	81004360/2	COLTELLO STANDARD (39 cm.)	STANDARD BLADE (39 cm.)	LAME STANDARD (39 cm.)	STANDARD MESSER (39 cm.)	1
—	81004233/2	COLTELLO ALETTATO (39 cm.)	WINGS BLADE (39 cm.)	LAME À AILETTES (39 cm.)	FLUEGEL MESSER (39 cm.)	1
—	81004365/2	COLTELLO STANDARD (44 cm.)	STANDARD BLADE (44 cm.)	LAME STANDARD (44 cm.)	STANDARD MESSER (44 cm.)	1
—	81004232/2	COLTELLO ALETTATO (44 cm.)	WINGS BLADE (44 cm.)	LAME À AILETTES (44 cm.)	FLUEGEL MESSER (44 cm.)	1
24	81004352/0	ASS. VITE	SCREW ASS.Y	ENS. VIS	ENS. SCHRAUBE	1
25	12793101/0	VITE	SCREW	VIS	SCHRAUBE	2
26	12583500/0	GROWER	GROWER	GROWER	FEDERRING	2
31	22600028/4	PARASASSI	STONE-GUARD	PARE-PIERRES	PRALLBLECH	1
32	22517906/0	PERNO	PIN	PIVOT	BOLZEN	1
33	22450420/1	MDLLA SX	LEFT SPRING	RESSORT GAUCHE	LINK FEDER	1
34	22450410/1	MOLLA DX	RIGHT SPRING	RESSORT DROITE	RECHTE FEDER	1
41	81007017/1	PARTE SUP. MANICO	UPPER HANDLE	PARTIE SUP. MANCHERON	HOLMOBERTEIL	1
42	81006512/0	PARTE INF. MANICO	LOWER HANDLE	PARTIE INF. MANCHERON	HOLMUNTERTEIL	1
43	12819201/0	VITE	SCREW	VIS	SCHRAUBE	2
44	226800061/1	RONDELLA	WASHER	RONDELLE	SCHIBE	2
45	22399900/0	MANOPOLINA	KNOB	POIGNÉE	GRIFT	4
46	12293200/0	DADO	NUT	ECROU	MUTTER	2
47	22551575/0	PIASTRINA INTERNA	INSIDE PLAQUE	PLAQUETTE INTERNE	ISOLIERPLATTE	4
48	22551574/0	PIASTRINA ESTERNA	OUTSIDE PLAQUE	PLAQUETTE EXTERNE	ISOLIERPLATTE	2
49	12691115/0	VITE	SCREW	VIS	SCHRAUBE	2
50	12793300/0	VITE	SCREW	VIS	SCHRAUBE	2
51	12155000/0	DADO	NUT	ECRDU	MUTTER	2
52	18710562/0	SALVAMOTORE M.M. 8,5 AMP.	DEAD HAND SWITCH 8,5 AMP.	INT. MAIN MORTE 8,5 AMP.	TOT MANSCHALTER 8,5 AMP.	1
—	18710563/0	602 MS (1300W IBMEI/RST)	602 MS (1300W IBMEI/RST)	602 MS (1300W IBMEI/RST)	602 MS (1300W IBMEI/RST)	1
—	18710562/0	SALVAMOTORE M.M. 8,5 AMP.	DEAD HAND SWITCH 8,5 AMP.	INT. MAIN MORTE 8,5 AMP.	TOT MANSCHALTER 8,5 AMP.	1
—	18710624/0	603 MS (1300W IBMEI/RST)	607 MS (1300W IBMEI/RST)	607 MS (1300W IBMEI/RST)	607 MS (1300W IBMEI/RST)	1
—	18710624/0	SOLO PER SVIZZERA	ONLY FOR SWITZERLAND	SEULEMENT POUR LA SUISSE	NUR FÜR SCHWEIZ	1
—	18710624/0	SALVAMOTORE M.M. 8,5 AMP.	DEAD HAND SWITCH 8,5 AMP.	INT. MAIN MORTE 8,5 AMP.	TOT MANSCHALTER 8,5 AMP.	1
—	18710604/0	607 MS (1300W IBMEI)	607 MS (1300W IBMEI)	607 MS (1300W IBMEI)	607 MS (1300W IBMEI)	1
—	18710604/0	SALVAMOTORE M.M. 10 AMP.	DEAD HAND SWITCH 10 AMP.	INT. MAIN MORTE 10 AMP.	TOT MANSCHALTER 10 AMP.	1
—	18710572/0	602 MS (1600W IBMEI/RST)	602 MS (1600W IBMEI/RST)	602 MS (1600W IBMEI/RST)	602 MS (1600W IBMEI/RST)	1
—	18710572/0	SALVAMOTORE M.M. 10 AMP.	DEAD HAND SWITCH 10 AMP.	INT. MAIN MORTE 10 AMP.	TOT MANSCHALTER 10 AMP.	1
—	18710572/0	603 MS (1600W IBMEI/RST)	603 MS (1600W IBMEI/RST)	603 MS (1600W IBMEI/RST)	603 MS (1600W IBMEI/RST)	1
—	18710628/0	SOLO PER SVIZZERA	ONLY FOR SWITZERLAND	SEULEMENT POUR LA SUISSE	NUR FÜR SCHWEIZ	1
—	18710628/0	SALVAMOTORE M.M. 10	DEAD HAND SWITCH 10	INT. MAIN MORTE 10	TOT MANSCHALTER 10	1
53	22195101/1	607 MS (1600W IBMEI)	607 MS (1600W IBMEI)	607 MS (1600W IBMEI)	607 MS (1600W IBMEI)	1
54	22192000/1	FERMACAVO	FAIR LEAD	FIXATION CABLE	KABELBEFESTIGUNG	1
55	22192151/0	FASCETTA ANCORAGGIO	ANCHOR CLAMP	COLLIER ANCRAGE	BOWDENZUGHALTER	2
71	22735537/0	FERMACAVO	FAIR LEAD	FIXATION CABLE	KABELBEFESTIGUNG	1
72	22735537/0	SETTORE REGOLAZIONE	ADJUSTERS SECTOR	SECTEUR REGLAGE	VERSTELLUNGSSEKTOR	4
73	81005082/0	SUPPORTO RUOTA	WHEEL SUPPORT	SUPPORT ROUE	RADHALTER	4
74	81003273/0	LEVA REGOLAZIONE	ADJUSTMENT LEVER	LEVIER REGLAGE	VERSTELLUNGHEBEL	4
74A	22171001/0	DISTANZIALE	SPACER	ENTRETOISE	DISTANZRING	4
75	12521350/0	RONDELLA	WASHER	RONDELLE	SCHIBE	4
76	12793701/0	VITE	SCREW	VIS	SCHRAUBE	4
77	12523070/0	RONDELLA	WASHER	RONDELLE	SCHIBE	4
78	12583500/0	GROWER	GRDWER	GROWER	FEDERRING	4
79	12293200/0	DADO	NUT	ECROU	MUTTER	4
80	81007325/0	RUOTA Ø 170 NERA	BALCK Ø 170 WHEEL	ROUE Ø 170 NOIRE	SCHWARZE Ø 170 RAD	4
81	12523060/0	RONDELLA	WASHER	RONDELLE	SCHIBE	4
82	12293201/0	DADO	NUT	ECROU	MUTTER	4
—	22110262/0	COPRIMOZZO BIANCO	WHITE HUB CAP	COUVRE-MOYEU BLANCHE	WEISSE RADKAPPE	4
—	22110263/0	COPRIMOZZO GIALLO	YELLDW HU BCAP	COUVRE-MOYEU JAUNE	GELBE RADKAPPE	4

VARIANTI RUOTE Ø 170 SU BOCCOLE

WHEELS VARIANTS Ø 170 ON BUSCHINGS

VARIANTES ROUES Ø 170 SUR DOUILLES

AENDERUNGEN AUF RAEDER Ø 170 MIT BÜCHSEN

83	81007326/0	RUOTA NERA	BLACK WHEEL	ROUE NOIRE	SCHWARZE RAD	4
84	22034508/0	BOCCOLA	BUSCHING	DOUILLE	BÜCHSE	8
86	12521350/0	RONDELLA	WASHER	RONDELLE	SCHIBE	4
87	12155000/0	DADO	NUT	ECROU	MUTTER	4

101	98004000/0	ASS. SACCO IN TELA	CANVASS GRASSCATCHER ASS.Y	ENSEMBLE SAC EN TOILE	KOMPLETTER SACK	1
102	81006408/0	TELAIO	CHASSIS	CHASSIS	RAHMEN	1
103	81002105/0	TELA SACCO	FABRIC BOX	TOILE POUR SAC	TÜCK FÜR SACK	1
111	98005000/1	SACCO COMPLETO	COMPLETE GRASS-BOX	SAC COMPLET	KOMPLETTER KORB	1
112	22486076/0	PARTE SUP. SACCO	UPPER GRASS BOX	PARTIE SUP. SAC	KORB OBERTEIL	1
113	22486077/0	PARTE INF. SACCO	LOWER GRASS BOX	PARTIE INF. SAC	KORB UNTERTEIL	1
—	81008596/0	DOTAZIONE VITERIA	SCREWS OUTFIT	DOTATION VISSERIE	SCHRAUBEN SATZ	1