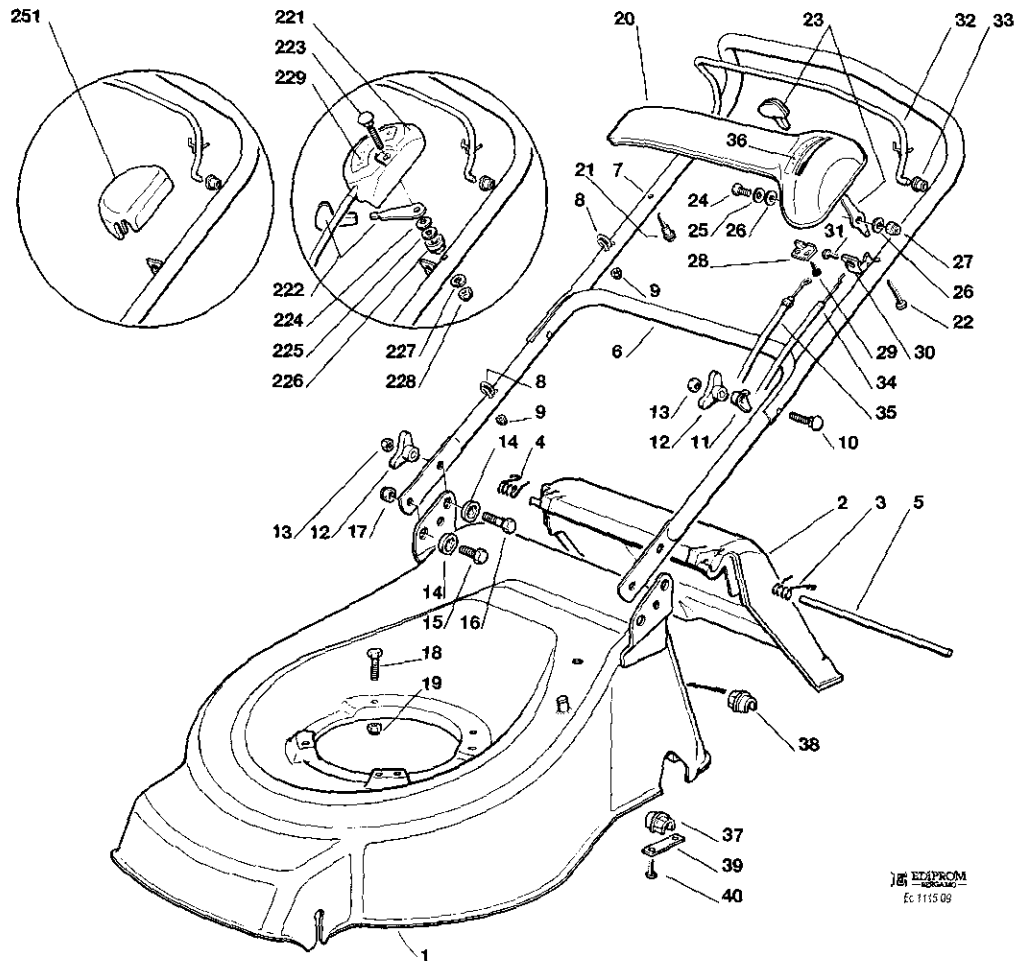


VISTE ESPLOSE
EXPLODED VIEWS
VUES ECLATEES
SPRENGZEICHNUNGEN

TDL 434
TDL 484

CHASSIS - MANICO - COMANDI
DECK - HANDLE - CONTROLS
CHASSIS - MANCHERON - COMMANDES
GEHÄUSE - HOLM - BETÄTIGUNGEN

Mod. 1995



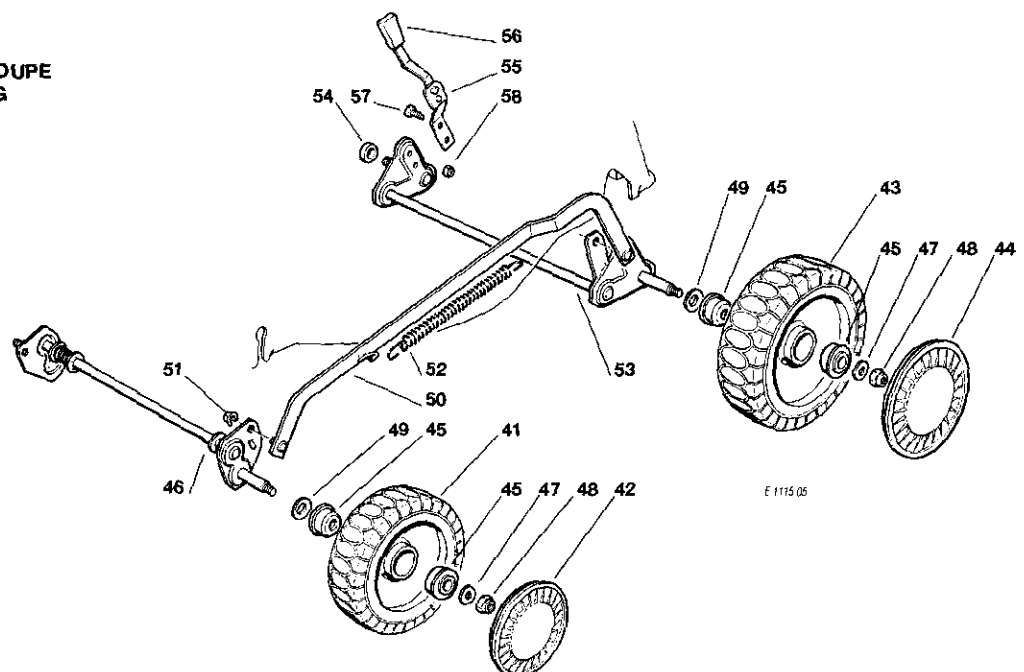
Pos. Nr.	Codice Code Kodex	Descrizione	Description	Description	Beschreibung	Q.tà Q.ty-Q.tè Menge
1	81001375/0	CHASSIS VERDE TDL 434	GREEN DECK TDL 434	CHASSIS VERT TDL 434	GRÜN GEHÄUSE TDL 434	1
-	81001377/0	CHASSIS VERDE TDL 484	GREEN DECK TDL 484	CHASSIS VERT TDL 484	GRÜN GEHÄUSE TDL 484	1
-	81001353/0	CHASSIS GIALLO TDL 434	YELLOW DECK TDL 434	CHASSIS JAUNE TDL 434	GELB GEHÄUSE TDL 434	1
-	81001355/0	CHASSIS GIALLO TDL 484	YELLOW DECK TDL 484	CHASSIS JAUNE TDL 484	GELB GEHÄUSE TDL 484	1
-	81001343/0	CHASSIS ROSSO TDL 434	RED DECK TDL 434	CHASSIS ROUGE TDL 434	ROT GEHÄUSE TDL 434	1
-	81001344/0	CHASSIS ROSSO TDL 484	RED DECK TDL 484	CHASSIS ROUGE TDL 484	ROT GEHÄUSE TDL 484	1
2	22600046/0	PARASASSI	STONE-GUARD	PAIRE-PIERRES	PRALLBLECH	1
3	22450420/1	MOLLA SINISTRA	LEFT SPRING	RESSORT GAUCHE	LINK FEDER	1
4	22450410/1	MOLLA DESTRA	RIGHT SPRING	RESSORT DROITE	RECHTE FEDER	1
5	22517906/0	PERNO	PIN	PIVOT	BOLZEN	1
6	81007013/0	PARTE INFERIORE MANICO	LOWER HANDLE	PARTIE INF. MANCHERON	HOLMUNTERTEIL	1
7	81006998/0	PARTE SUPERIORE MANICO	UPPER HANDLE	PARTIE SUP. MANCHERON	HOLMOBERTEIL	1
8	22430309/0	MOLLA GUIDA	SPRING	RESSORT	FEDER	2
9	12154330/0	DADO	NUT	ECROU	MUTTER	2
10	12819201/0	VITE	SCREW	VIS	SCHRAUBE	2
11	22680006/1	RONDELLA	WASHER	RONDELLE	SCHEIBE	2
12	22399900/0	MANOPOLINA	KNOB	POIGNÉE	GRIFT	4
13	12293200/0	DADO	NUT	ECROU	MUTTER	4
14	22041955/0	BUSSOLA	BUSH	DOUILLE	BUCHSE	4
15	12792610/0	VITE	SCREW	VIS	SCHRAUBE	2
16	12793700/0	VITE	SCREW	VIS	SCHRAUBE	2
17	12155000/0	DADO	NUT	ECROU	MUTTER	2
18	12793700/0	VITE M8 x 30	SCREW M8 x 30	VIS M8 x 30	SCHRAUBE M8 x 30	3/2
-	12793900/0	VITE M8 x 60	SCREW M8 x 60	VIS M8 x 60	SCHRAUBE M8 x 60	0/1
19	12293201/0	DADO	NUT	ECROU	MUTTER	3/2
-	12155000/0	DADO	NUT	ECROU	MUTTER	0/1
20	22120152/0	CRUSCOTTO GIALLO	YELLOW DASH BOARD	CONSOLE JAUNE	GELB KONSOLE	1

CN 71503521/0

Printed in Italy

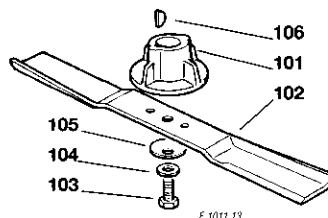
Pos. Nr.	Codice Code Kodex	Descrizione	Description	Description	Beschreibung	Q.tà Q.ty-Q.tè Menge
JJ						
21	22943006/0	VITE	SCREW	VIS	SCHRAUBE	1
22	12728460/0	VITE	SCREW	VIS	SCHRAUBE	1
23	81007280/0	ASS. LEVA + MANOPOLINA	LEVER+KNOB ASS.Y	ENS. LEVIER+POIGNEE	HEBEL+GRIFF SATZ	1
24	12791500/0	VITE	SCREW	VIS	SCHRAUBE	1
25	12530060/0	RONDELLA ELASTICA	SPRING WASHER	RONDELLE ELASTIQUE	FERDERSCHEIBE	1
26	12533040/0	RONDELLA	WASHER	RONDELLE	SCHEIBE	2
27	12154510/0	DADO	NUT	ECROU	MUTTER	1
28	22981467/0	PIASTRINA	PLATE	PLAQUETTE	PLATTE	1
29	12735105/0	VITE	SCREW	VIS	SCHRAUBE	2
30	22806512/0	SUPPORTO	SUPPORT	SUPPORT	HALTER	1
31	12728518/0	VITE	SCREW	VIS	SCHRAUBE	1
32	81003289/0	LEVA FRENO MOTORE	BRAKE LEVER	LEVIER FREIN MOTEUR	MOTORBREMSEHEBEL	1
33	22041966/0	BOCCOLA	BUSH	DOUILLE	BUCHSE	2
34	81007160/0	CAVO ACCELERATORE	THROTTLE CABLE	CABLE ACCELERATEUR	BESCHLEUNIGER KABEL	1
35	81000626/0	CAVO FRENO MOTORE TD 434 (Quantum XM)	THREAD MOTOR BRAKE TD 434 (Quantum XM)	CABLE FREIN MOTEUR TD 434 (Quantum XM)	MOTORBREMSEKABEL TD 434 (Quantum XM)	1
-	81000627/0	CAVO FRENO MOTORE TD 434 (Sprint 375)	THREAD MOTOR BRAKE TD 434 (Sprint 375)	CABLE FREIN MOTEUR TD 434 (Sprint 375)	MOTORBREMSEKABEL TD 434 (Sprint 375)	1
-	81000623/0	CAVO FRENO MOTORE TD 434-484 (Tecumseh)	THREAD MOTOR BRAKE TD 434-484 (Tecumseh)	CABLE FREIN MOTEUR TD 434-484 (Tecumseh)	MOTORBREMSEKABEL TD 434-484 (Tecumseh)	1
-	81000624/0	CAVO FRENO MOTORE TD 484 (Quantum XM)	THREAD MOTOR BRAKE TD 484 (Quantum XM)	CABLE FREIN MOTEUR TD 484 (Quantum XM)	MOTORBREMSEKABEL TD 484 (Quantum XM)	1
-	81000625/0	CAVO FRENO MOTORE TD 484 (Sprint 375)	THREAD MOTOR BRAKE TD 484 (Sprint 375)	CABLE FREIN MOTEUR TD 484 (Sprint 375)	MOTORBREMSEKABEL TD 484 (Sprint 375)	1
36	14356743/0	ETICHETTA (Tecumseh)	LABEL (Tecumseh)	ETIQUETTE (Tecumseh)	ETIKETTE (Tecumseh)	1
-	14356744/0	ETICHETTA (B&S)	LABEL (B&S)	ETIQUETTE (B&S)	ETIKETTE (B&S)	1
37	22038403/0	BRONZINA SINISTRA	LEFT BUSH	DOUILLE GAUCHE	LINK BUCHSE	1
38	22038402/0	BRONZINA DESTRA	RIGHT BUSH	DOUILLE DROITE	RECHT BUCHSE	1
39	22545142/0	PIASTRINA	PLATE	PLAQUETTE	PLATTE	2
40	12731350/0	VITE	SCREW	VIS	SCHRAUBE	4
		Variante acceleratore	Throttle variants	Variantes de comande d'acceleration	Anderungen auf Gashebel	
221	81007080/0	ASSIEME ACCELERATORE	TROTTLER UNIT ASS.Y	ENS. ACCELERATEUR	BESCHLEUNIGER	1
222	81007279/0	ASS. LEVA + MANOPOLINA	LEVER+KNOB ASS.Y	ENS. LEVIER+POIGNEE	HEBEL+GRIFF SATZ	1
223	12815000/0	VITE	SCREW	VIS	SCHRAUBE	1
224	12508100/0	RONDELLA ELASTICA	SPRING WASHER	RONDELLE ELASTIQUE	FERDERSCHEIBE	1
225	12521360/0	RONDELLA	WASHER	RONDELLE	SCHEIBE	2
226	22171005/0	DISTANZIALE	SPACER	ENTRETOISE	DISTANZRING	1
227	12581500/0	GROWER	GROWER	GROWER	FEDERING	1
228	12291000/0	DADO	NUT	ECROU	MUTTER	1
229	14356702/0	ETICHETTA (Tecumseh)	LABEL (Tecumseh)	ETIQUETTE (Tecumseh)	ETIKETTE (Tecumseh)	1
-	14356703/0	ETICHETTA (B&S)	LABEL (B&S)	ETIQUETTE (B&S)	ETIKETTE (B&S)	1
		Variante regime fisso	R.p.m. variants	Variantes pour modèle à regime fixe	Anderungen für Modelle mit fixierter Drehzahl	
251	22601000/0	PROTEZIONE	PROTECTION	PROTECTION	SCHUTZ	1

**RUOTE E REGOLAZIONE
WHEELS AND HEIGHT ADJUSTING
ROUES ET REGLAGE HAUTEUR DE COUPE
RAEDER UND SCHNITTVERSTELLUNG**



Pos. Nr.	Codice Code Kodex	Descrizione	Description	Description	Beschreibung	Q.tà Q.ty-Q.tè Menge
41	81007317/0	RUOTA SCOLPITA Ø 170	KNOBBLY WHEEL Ø 170	ROUE SCULPTEE Ø 170	RAD M. STOLLENPR. Ø 170	2
42	22110282/0	COPRIMOZZO BIANCO	WHITE HUB CAP	COUVRE-MOYEU BLANCHE	WEISSE RADKAPPE	2
-	22110288/0	COPRIMOZZO GIALLO	YELLOW HUB CAP	COUVRE-MOYEU JAUNE	GELB RADKAPPE	2
43	81007318/0	RUOTA SCOLPITA Ø 210	KNOBBLY WHEEL Ø 210	ROUE SCULPTEE Ø 210	RAD M. STOLLENPR. Ø 210	2
44	22110281/0	COPRIMOZZO BIANCO	WHITE HUB CAP	COUVRE-MOYEU BLANCHE	WEISSE RADKAPPE	2
-	22110287/0	COPRIMOZZO GIALLO	YELLOW HUB CAP	COUVRE-MOYEU JAUNE	GELB RADKAPPE	2
45	22122200/0	CUSCINETTO	BEARING	COUSSINET	KUGELLAGER	8
46	81001272/0	ASSE RUOTE ANTERIORE	FRONT WHEELS AXLE	AXE ROUES AVANT	VORDERRADACHSE	1
-		TDL 434	TDL 434	TDL 434	TDL 434	
-	81001274/0	ASSE RUOTE ANTERIORE	FRONT WHEELS AXLE	AXE ROUES AVANT	VORDERRADACHSE	1
-		TDL 484	TDL 484	TDL 484	TDL 484	
47	12521350/0	RONDELLA	WASHER	RONDELLE	SCHEIBE	4
48	12155000/0	DADO	NUT	ECROU	MUTTER	4
49	12530150/0	RONDELLA ELASTICA	ELASTIC WASHER	RONDELLE ELASTIQUE	ELASTISCHE SCHEIBE	4
50	81001275/0	ASTA COMANDO TDL 434	ADJUSTMENT ROD TDL 434	TIGE COMMANDE TDL 434	STELLSTAB TDL 434	1
-	81001276/0	ASTA COMANDO TDL 484	ADJUSTMENT ROD TDL 484	TIGE COMMANDE TDL 484	STELLSTAB TDL 484	1
51	12436050/0	PIASTRINA	PLATE	PLAQUETTE	PLÄTTCHEN	2
52	22446180/0	MOLLA	SPRING	RESSORT	FEDER	1
53	81001278/0	ASSE RUOTE POSTERIORE	REAR WHEELS AXLE	AXE ROUES ARRIERE	HINTERRADACHSE	1
-		TDL 434 - 484	TDL 434 - 484	TDL 434 - 484	TDL 434 - 484	
54	22170800/0	DISTANZIALE	SPACER	ENTRETOISE	DOSTANZRING	1
55	81003279/1	LEVA REGOLAZIONE	ADJUSTMENT LEVER	LEVIER REGLAGE	VERSTELLUNG HEBEL	1
56	22397000/0	MANOPOLA	KNOB	POIGNEE	GRIFF	1
57	12789000/0	VITE	SCREW	VIS	SCHRAUBE	2
58	12154330/0	DADO	NUT	ECROU	MUTTER	2

**GRUPPO COLTELLO
BLADE ASS.Y
GROUPE DES LAMES
MESSERSATZT**

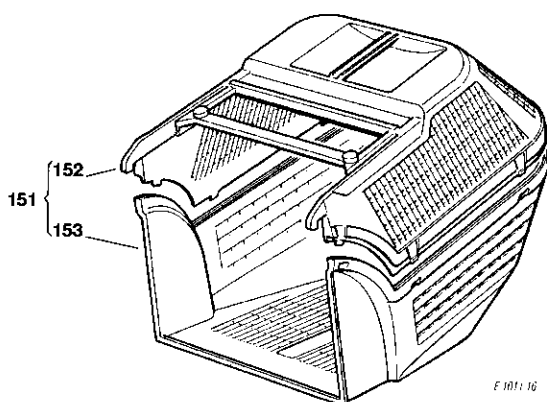


E 1011 13

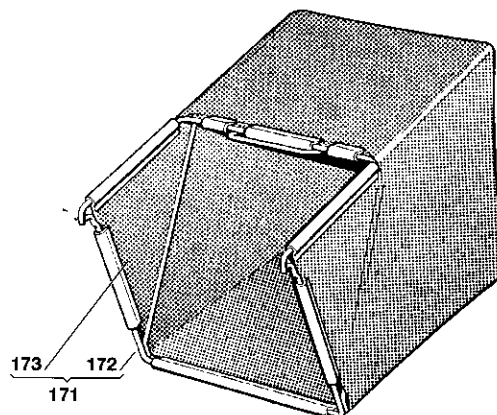
101	22463012/1	MOZZO	HUB	MOYEU	HALTER	1
102	81004341/2	COLTELLO STANDARD cm 41	STANDARD BLADE cm 41	LAME STANDARD cm 41	STANDARD MESSER cm 41	1
-	81004396/0	COLTELLO ALETTATO cm 41	WINGS BLADE cm 41	LAME À AILETTES cm 41	FLUEGELMESSER cm 41	1
-	81004346/2	COLTELLO STANDARD cm 46	STANDARD BLADE cm 46	LAME STANDARD cm 46	STANDARD MESSER cm 46	1
-	81004397/0	COLTELLO ALETTATO cm 46	WINGS BLADE cm 46	LAME À AILETTES cm 46	FLUEGELMESSER cm 46	1
103	12735698/0	VITE	SCREW	VIS	SCHRAUBE	1
104	12523080/0	RONDELLA	WASHER	RONDELLE	SCHEIBE	1
105	22160400/0	DISCO ELASTICO	ELASTIC WASHER	RONDELLE ELASTIQUE	ELASTISCHE SCHEIBE	1
106	12139100/0	LINGUETTA	FEATHER	CLAVETTE	KEIL	1

Pos. Nr.	Codice Code Kodex	Descrizione	Description	Description	Beschreibung	Q.tà Q.ty-Q.tè Menge
----------	-------------------	-------------	-------------	-------------	--------------	----------------------------

**SACCO RACCOGLIERBA E DOTAZIONE
GRASS-CATCHER AND SCREWS OUTFITS
BAC DE RAMASSAGE ET DOTATION VISSERIE
GRASFANGKORB UND SCHRAUBENSATZ**



F. 101: 16



151	94004000/0	SACCO COMPLETO	COMPLETE GRASS-BOX	BAC COMPLET	KOMPLETTER KORB	1
152	22486073/0	PORTE SUPERIORE SACCO	UPPER GRASS-BOX	PARTIE SUPERIEURE SAC	KORB OBERTEIL	1
153	22486074/0	PORTE INFERIORE SACCO	LOWER GRASS-BOX	PARTIE INFERIEURE SAC	KORB UNTERTEIL	1
171	94005000/0	ASSIEME SACCO TELA	CANVASS GRASSCATCHER ASS.Y	ENSEMBLE SAC EN TOILE	KOMPLETTER SACK	1
172	81006418/0	TELAIO	CHASSIS	CHASSIS	RAHMEN	1
173	81002105/0	TELA SACCO	FABRIC BOX	TOILE POUR SAC	TUCK FÜR SACK	1
-	81008605/0	DOTAZIONE VITERIA	SCREWS OUTFIT	DOTATION VISSERIE	SCHRAUBEN SATZ	1