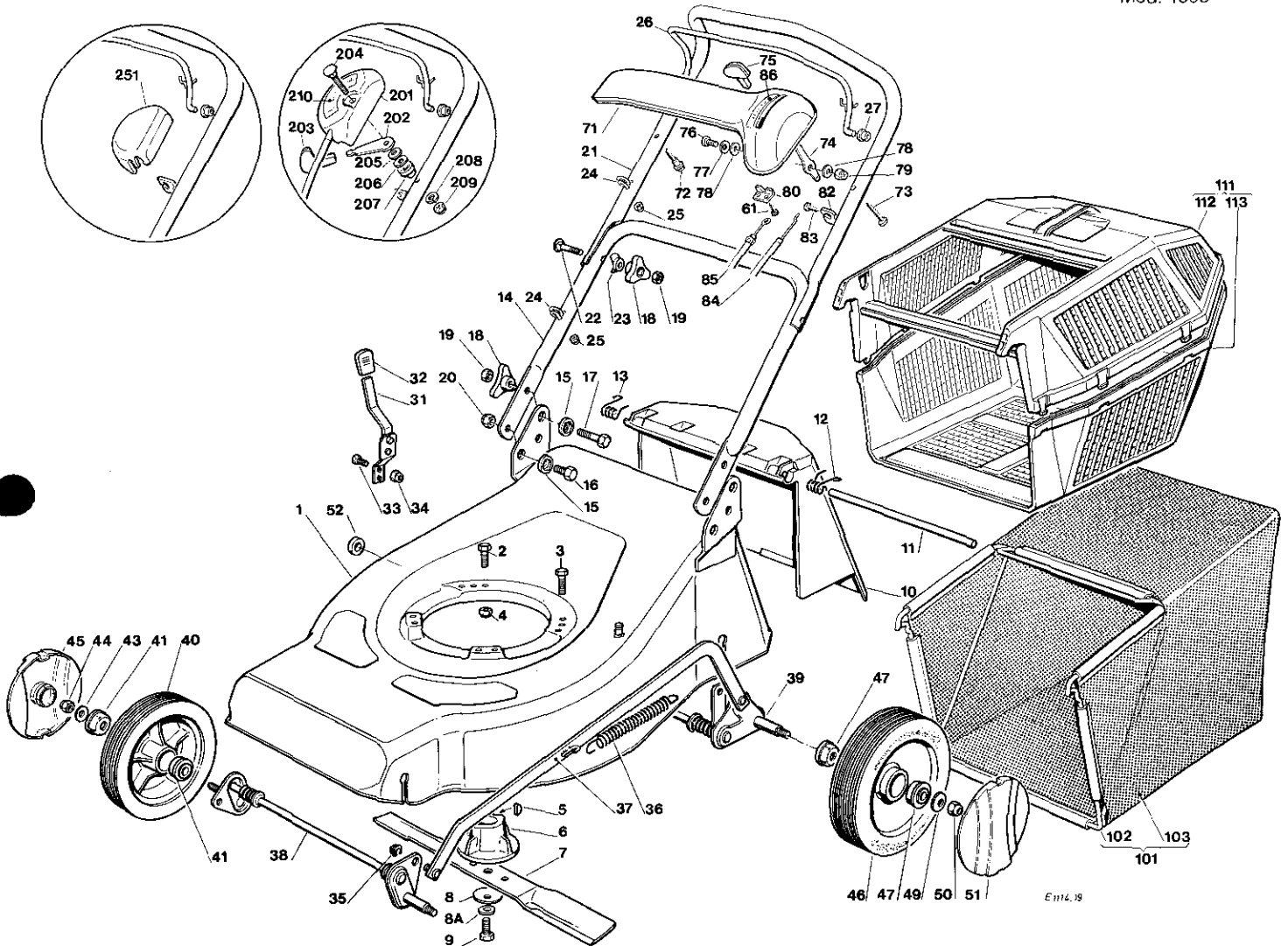


VISTE ESPLOSE
EXPLODED VIEWS

VUES ECLATEES
SPRENGZEICHNUNGEN

RL 434
RL 484

Mod. 1995



Pos. Nr.	Codice Kodex Code	Descrizione	Description	Description	Beschreibung	Q.tà Q.ty Q.té Menge
1	81001026/0	CHASSIS ROSSO (RL 434)	RED DECK (RL 434)	CHASSIS ROUGE (RL 434)	ROTES GEHÄUSE (RL 434)	1
—	81001009/0	CHASSIS GIALLO (RL 434)	YELLOW DECK (RL 434)	CHASSIS JAUNE (RL 434)	GELBES GEHÄUSE (RL 434)	1
—	81001515/0	CHASSIS VERDE (RL 434)	GREEN DECK (RL 434)	CHASSIS VERT (RL 434)	GRÜNES GEHÄUSE (RL 434)	1
—	81001028/0	CHASSIS ROSSO (RL 484)	RED DECK (RL 484)	CHASSIS ROUGE (RL 484)	ROTES GEHÄUSE (RL 484)	1
—	81001011/0	CHASSIS GIALLO (RL 484)	YELLOW DECK (RL 484)	CHASSIS JAUNE (RL 484)	GELBES GEHÄUSE (RL 484)	1
—	81001516/0	CHASSIS VERDE (RL 484)	GREEN DECK (RL 484)	CHASSIS VERT (RL 484)	GRÜNES GEHÄUSE (RL 484)	1
2	12793700/0	VITE (M8x30)	SCREW (M8x30)	VIS (M8x30)	SCHRAUBE (M8x30)	3/2
—	12793900/0	VITE (M8x60)	SCREW (M8x60)	VIS (M8x60)	SCHRAUBE (M8x60)	0/1
4	12293201/0	DADO	NUT	ECROU	MUTTER	3/2
—	12155000/0	DADO	NUT	ECROU	MUTTER	0/1
5	12139100/0	LINGUETTA	FEATHER	CLAVETTE	KEIL	1
6	22463012/1	MOZZO	HUB	MOYEU	HALTER	1
7	81004396/0	COLTELLO ALETTATO (41 cm.)	WINGS BLADE (41 cm.)	LAME À AILETTES (41 cm.)	FLÜGEL MESSER (41 cm.)	1
—	81004341/2	COLTELLO STANDARD (41 cm.)	STANDARD BLADE (41 cm.)	LAME STANDARD (41 cm.)	STANDARD MESSER (41 cm.)	1
—	81004397/0	COLTELLO ALETTATO (46 cm.)	WINGS BLADE (46 cm.)	LAME À AILETTES (46 cm.)	FLÜGEL MESSER (46 cm.)	1
—	81004346/2	COLTELLO STANDARD (46 cm.)	STANDARD BLADE (46 cm.)	LAME STANDARD (46 cm.)	STANDARD MESSER (46 cm.)	1
8	22160400/0	DISCO ELASTICO	ELASTIC WASHER	RONDELLE ELASTIQUE	ELASTISCHE SCHEIBE	1
8A	12523080/0	RONDELLA	WASHER	RONDELLE	SCHEIBE	1
9	12735698/0	VITE	SCREW	VIS	SCHRAUBE	1
10	22600028/3	PARASASSI	STONE-GUARD	PARE-PIERRES	PRALLBLECH	1
11	22517906/0	PERNO	PIN	PIVOT	BOLZEN	1
12	22450420/1	MOLLA SX	LEFT SPRING	RESSORT GAUCHE	LINKE FEDER	1
13	22450410/1	MOLLA DX	RIGHT SPRING	RESSORT DROITE	RECHTE FEDER	1
14	81007013/0	PARTE INF. MANICO	LOWER HANDLE	PARTIE INF. MANCHERON	HOLMUNTERTEIL	1
15	22041955/0	BUSSOLA	BUSH	DOUILLE	BUCHSE	4
16	12792610/0	VITE	SCREW	VIS	SCHRAUBE	2
17	12793700/0	VITE	SCREW	VIS	SCHRAUBE	2
18	22399900/0	MANOPOLINA	KNOB	POIGNÉE	GRIF	4
19	12293200/0	DADO	NUT	ECROU	MUTTER	4

Pos. Nr.	Codice Kodex Code	Descrizione	Description	Description	Beschreibung	Q.tà Q.ty Q.tè Menge
20	12155000/0	DADO	NUT	ECROU	MUTTER	2
21	81006998/0	PARTE SUP. MANICO	UPPER HANDLE	PARTIE SUP. MANCHERON	HOLMORTEIL	1
22	12819201/0	VITE	SCREW	VIS	SCHRAUBE	2
23	22680006/1	RONDELLA	WASHER	RONDELLE	SCHLEIBE	2
24	22430309/0	MOLLA GUIDA	SPRING	RESSORT	FEDER	2
25	12154330/0	DADO	NUT	ECROU	MUTTER	2
26	81003289/0	LEVA FRENO MOTORE	BRAKE LEVER	LEVIER FREIN MOTEUR	MOTORBREMSEHEBEL	1
27	22041966/0	BOCCOLA	BUSH	DOUILLE	BUCHSE	2
31	81003279/1	LEVA REGOLAZIONE	ADJUSTMENT LEVER	LEVIER REGLAGE	VERSTELLUNGSHABEL	1
32	22397000/0	MANOPOLA	KNOB	POIGNÉE	GRIFF	1
33	12789000/0	VITE	SCREW	VIS	SCHRAUBE	2
34	12154330/0	DADO	NUT	ECROU	MUTTER	2
35	12436050/0	PIASTRINA X ASTA	ROD PLATE	PLAQUETTE TIGE	STABPLATTCHEN	2
36	22446180/0	MOLLA	SPRING	RESSORT	FEDER	1
37	81001244/0	ASS. ASTA RL 434	ROD ASS'Y RL 434	ENS. TIGE RL 434	ENS. STAB RL 434	1
—	81001246/1	ASS. ASTA RL 484	ROD ASS'Y RL 484	ENS. TIGE RL 484	ENS. STAB RL 484	1
38	81001248/0	ASSE RUOTE ANT. RL 434	FRONT WHEELS AXLE RL 434	AXE ROUES AVANT RL 434	VORDERRADACHSE RL 434	1
—	81001250/0	ASSE RUOTE ANT. RL 484	FRONT WHEELS AXLE RL 484	AXE ROUES AVANT RL 484	VORDERRADACHSE RL 484	1
39	81001254/0	ASSE RUOTE POST. RL 434/484	REAR WHEELS AXLE RL 434/484	AXE ROUES ARRIERE RL 434/484	HINTERRADACHSE RL 434/484	1
40	81007311/0	RUOTA Ø 170 NERA	BALCK Ø 170 WHEEL	ROUE Ø 170 NOIRE	SCHWARZES Ø 170 RAD	2
41	22034508/0	BOCCOLA	BUSH	DOUILLE	BUCHSE	4
43	12521350/0	RONDELLA	WASHER	RONDELLE	SCHLEIBE	2
44	12155000/0	DADO	NUT	ECROU	MUTTER	2
45	22110252/0	COPRIMOZZO BIANCO	WHITE HUB CAP	COUVRE-MOYEU BLANC	WEISSE RADKAPPE	2
—	22110254/0	COPRIMOZZO GIALLO	YELLOW HU BCAP	COUVRE-MOYEU JAUNE	GELBE RADKAPPE	2
46	81007313/0	RUOTA Ø 210 NERA	BALCK Ø 210 WHEEL	ROUE Ø 210 NOIRE	SCHWARZES Ø 210 RAD	2
47	22034508/0	BOCCOLA	BUSH	DOUILLE	BUCHSE	4
49	12521350/0	RONDELLA	WASHER	RONDELLE	SCHLEIBE	2
50	12155000/0	DADO	NUT	ECROU	MUTTER	2
51	22110251/0	COPRIMOZZO BIANCO	WHITE HUB CAP	COUVRE-MOYEU BLANC	WEISSE RADKAPPE	2
—	22110253/0	COPRIMOZZO GIALLO	YELLOW HUB CAP	COUVRE-MOYEU JAUNE	GELBE RADKAPPE	2
52	22170800/0	DISTANZIALE	SPACER	ENTRETOISE	DISTANZRING	1
71	22120154/0	CRUSCOTTO ROSSO	RED DASH BOARD	CONSOLE ROUGE	ROTE KONSOLE	1
—	22120152/0	CRUSCOTTO GIALLO	YELLOW DASH BOARD	CONSOLE JAUNE	GELBE KONSOLE	1
72	22943006/0	VITE	SCREW	VIS	SCHRAUBE	1
73	12728460/0	VITE	SCREW	VIS	SCHRAUBE	1
74	22319304/0	LEVA	LEVER	LEVIER	HEBEL	1
75	22394641/0	MANOPOLA	KNOB	POIGNÉE	GRIFF	1
76	12791500/0	VITE	SCREW	VIS	SCHRAUBE	1
77	12530060/0	RONDELLA ELASTICA	SPRING WASHER	RONDELLE ELASTIQUE	ELASTISCHE SCHEIBE	2
78	12533040/0	RONDELLA	WASHER	RONDELLE	SCHLEIBE	1
79	12154510/0	DADD	NUT	ECROU	MUTTER	1
80	22981467/0	PIASTRINA	PLAQUE	PLAQUETTE	PLATTE	1
81	12735105/0	VITE	SCREW	VIS	SCHRAUBE	2
82	22806512/0	SUPPORTO	SUPPORT	SUPPORT	HALTER	1
83	12728518/0	VITE	SCREW	VIS	SCHRAUBE	1
84	81007160/0	CAVO ACCELERATORE	THROTTLE CABLE	CABLE ACCELERATEUR	BESCHLEUNIGER KABEL	1
85	81000626/0	CAVO FRENO MOTORE	THREAD MOTOR BRAKE	CABLE FREIN MOTEUR	MOTORBREMSEKABEL	1
—	81000627/0	CAVO FRENO MOTORE RL 434 (QUANTUM XM)	THREAD MOTOR BRAKE RL 434 (QUANTUM XM)	CABLE FREIN MOTEUR RL 434 (QUANTUM XM)	MOTORBREMSEKABEL RL 434 (QUANTUM XM)	1
—	81000623/0	CAVO FRENO MOTORE RL 434 (SPRINT 375)	THREAD MOTOR BRAKE RL 434 (SPRINT 375)	CABLE FREIN MOTEUR RL 434 (SPRINT 375)	MOTORBREMSEKABEL RL 434 (SPRINT 375)	1
—	81000624/0	CAVO FRENO MOTORE RL 434-484 (TECUMSEH)	THREAD MOTOR BRAKE RL 434-484 (TECUMSEH)	CABLE FREIN MOTEUR RL 434-484 (TECUMSEH)	MOTORBREMSEKABEL RL 434-484 (TECUMSEH)	1
—	81000625/0	CAVO FRENO MOTORE RL 484 (QUANTUM XM)	THREAD MOTOR BRAKE RL 484 (QUANTUM XM)	CABLE FREIN MOTEUR RL 484 (QUANTUM XM)	MOTORBREMSEKABEL RL 484 (QUANTUM XM)	1
—	81000625/0	CAVO FRENO MOTORE RL 484 (SPRINT 375)	THREAD MOTOR BRAKE RL 484 (SPRINT 375)	CABLE FREIN MOTEUR RL 484 (SPRINT 375)	MOTORBREMSEKABEL RL 484 (SPRINT 375)	1
86	14356743/0	ETICHETTA (TECUMSEH)	LABEL (TECUMSEH)	ETIQUETTE (TECUMSEH)	ETIKETTE (TECUMSEH)	1
—	14356744/0	ETICHETTA (B&S)	LABEL (B&S)	ETIQUETTE (B&S)	ETIKETTE (B&S)	1
101	98004000/0	ASS. SACCO IN TELA	CANVASS GRASSCATCHER ASS.Y	ENSEMBLE SAC EN TOILE	KOMPLETTER SACK	1
102	81006408/0	TELAIO	CHASSIS	CHASSIS	RAHMEN	1
103	81002105/1	TELA SACCO	FABRIC BOX	TOILE POUR SAC	TUCK FÜR SACK	1
111	98005000/1	SACCO COMPLETO	COMPLETE GRASS-BOX	SAC COMPLET	KOMPLETTER KORB	1
112	22486076/0	PARTE SUP. SACCO	UPPER GRASS BOX	PARTIE SUP. SAC	OBERTEILER KORB	1
113	22486077/0	PARTE INF. SACCO	LOWER GRASS BOX	PARTIE INF. SAC	UNTERTEILER KORB	1

	VARIANTE ACCELERATORE	THROTTLE VARIANTS	VARIANTES DE COMANDE D'ACCELERATION	ANDERUNGEN AUF GASHEBEL		
201	81007080/0	ASSIEME ACCELERATORE	TROTTLE UNIT ASS.Y	ENS. ACCELERATEUR	BESCHLEUNIGER	1
202	22319302/0	LEVA	LEVER	LEVIER	HEBEL	1
203	22394641/0	MANOPOLA	KNOB	POIGNÉE	GRIFF	1
204	12815000/0	VITE	SCREW	VIS	SCHRAUBE	1
205	12508100/0	RONDELLA ELASTICA	SPRING WASHER	RONDELLE ELASTIQUE	ELASTISCHE SCHEIBE	1
206	12521360/0	RONDELLA	WASHER	RONDELLE	SCHLEIBE	2
207	22171005/0	DISTANZIALE	SPACER	ENTRETOISE	DISTANZRING	1
208	12581500/0	GROWER	GROWER	GROWER	FEDERRING	1
209	12291000/0	DADO	NUT	ECROU	MUTTER	1
210	14356702/0	ETICHETTA (TECUMSEH)	LABEL (TECUMSEH)	ETIQUETTE (TECUMSEH)	ETIKETTE (TECUMSEH)	1
—	14356703/0	ETICHETTA (B&S)	LABEL (B&S)	ETIQUETTE (B&S)	ETIKETTE (B&S)	1

	VARIANTE REGIME FISSO	R.P.M. VARIANTS	VARIANTES POUR MODÈLE À RÉGIME FIXE	ANDERUNGEN FÜR MODELLE MIT FIXIERTER DREHZAHN		
251	22601000/0	PROTEZIONE	PROTECTION	PROTECTION	SCHUTZ	

—	81008605/0	DOTAZIONE VITERIA	SCREWS OUTFIT	DOTATION VISSERIE	SCHRAUBEN SATZ	1
---	------------	-------------------	---------------	-------------------	----------------	---