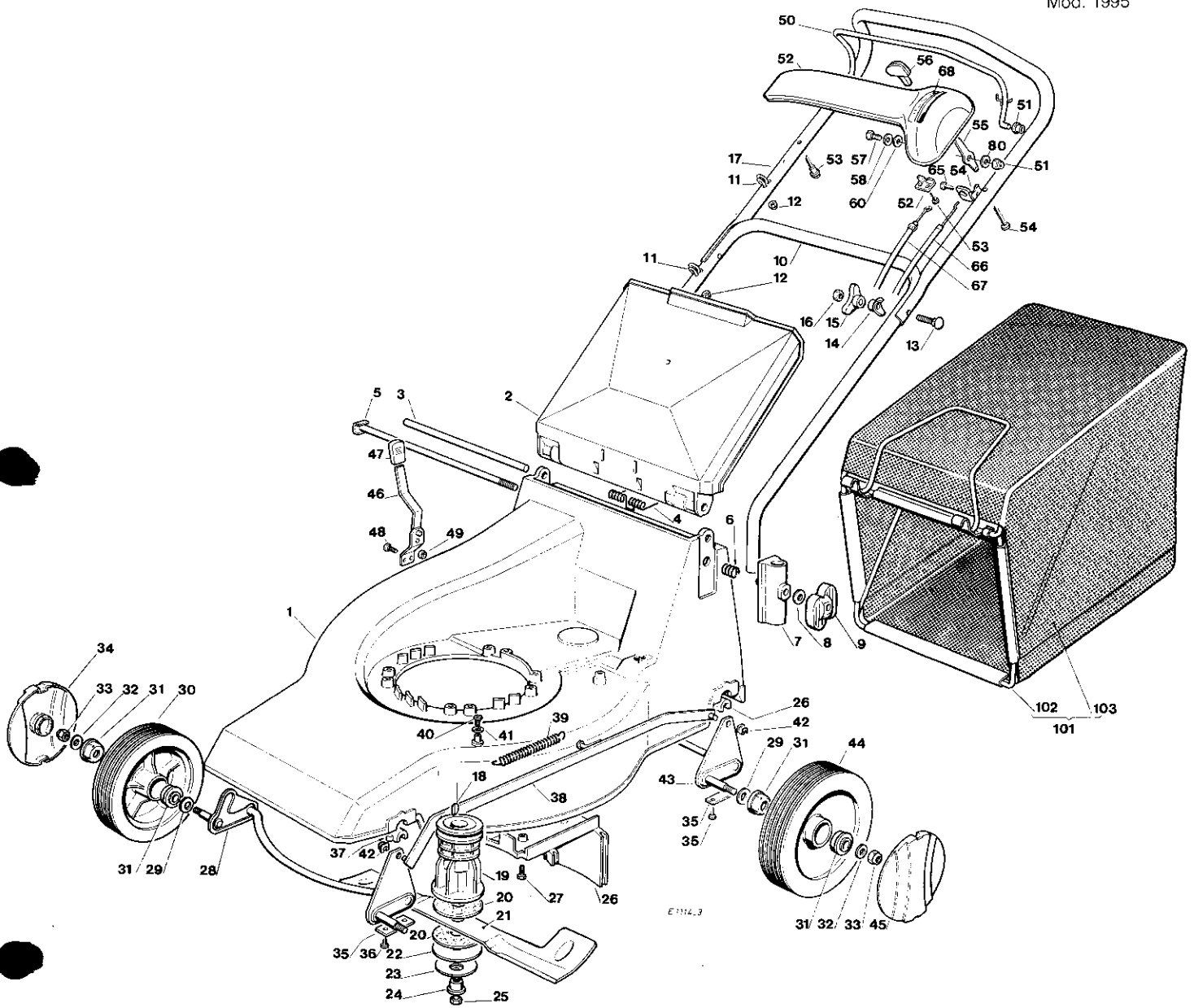


VISTE ESPLOSE
EXPLODED VIEWS

VUES ECLATEES
SPRENGZEICHNUNGEN

PA 504

Mod. 1995



Pos. Nr.	Codice Kodex Code	Descrizione	Description	Description	Beschreibung	Q.tà Q.ty Q.té Menge
1	81000297/0	CHASSIS ROSSO	RED DECK	CHASSIS ROUGE	ROTES GEHÄUSE	1
---	81000294/0	CHASSIS GIALLO	YELLOW DECK	CHASSIS JAUNE	GELBES GEHÄUSE	1
---	81001448/0	CHASSIS VERDE	GREEN DECK	CHASSIS VERT	GRÜNES GEHÄUSE	1
1A	12691800/0	VITE (M8x60)	SCREW (M8x60)	VIS (M8x60)	SCHRAUBE (M8x60)	3/2
1B	12692080/0	VITE (M8x90)	SCREW (M8x90)	VIS (M8x90)	SCHRAUBE (M8x90)	0/1
1C	12521350/0	RONDELLA	WASHER	RONDELLE	SCHEIBE	3
1D	12155000/0	DADO	NUT	ECROU	MUTTER	3
2	22600010/0	PARASASSI	STONE-GUARD	PARE-PIERRES	PRALLBLECH	1
3	22517854/0	PERNO	PIN	PIVOT	BOLZEN	1
4	22450700/0	MOLLA	SPRING	RESSORT	FEDER	1
5	81001210/0	ASSE FULCRO MANICO	HANDLE FULCRUM AXLE	POINT D'A PUI MANCHERON	HEBELSTUETZE FUER HOLM	1
6	22446190/0	MOLLA	SPRING	RESSORT	FEDER	2
7	22785065/0	SUPPORTO	SUPPORT	SUPPORT	HALTER	2
8	12522030/0	RONDELLA	WASHER	RONDELLE	SCHEIBE	1
9	81200000/0	MANOPOLA	KNOB	POIGNÉE	GRIFF	1
10	81007016/0	PORTE INFERIORE MANICO	LOWER HANDLE	PARTIE INF. MANCHERON	UNTERHOLM	1
11	22430309/0	MOLLA	SPRING	RESSORT	FEDER	2
12	12154330/0	DADO	NUT	ECROU	MUTTER	2
13	12819201/0	VITE	SCREW	VIS	SCHRAUBE	2
14	22680006/1	RONDELLA	WASHER	RONDELLE	SCHEIBE	2
15	22399900/0	MANOPOLA	KNOB	POIGNÉE	GRIFF	2
16	12293200/0	DADO	NUT	ECROU	MUTTER	1

Pos. Nr.	Codice Kodex Code	Descrizione	Description	Description	Beschreibung	Q.tà Q.ty Q.te
17	81006998/0	PARTE SUPERIORE MANICO	UPPER HANDLE	PARTIE SUP. MANCHERON	HOLMOBERTEIL	1
18	12139100/0	LINGUETTA	FEATHER	CLAVETTE	KEIL	1
19	22465609/0	MOZZO CON PULEGGIA	HUB WITH PULLEY	MOYEU AVEC POULIE	NABE MIT SCHEIBE	1
20	22672110/1	RONDELLA	WASHER	RONDELLE	SCHEIBE	2
21	81004395/1	LAMA	BLADE	LAME	MESSER	1
22	22672105/0	RONDELLA	WASHER	RONDELLE	SCHEIBE	1
23	12508120/0	MOLLA A TAZZA	CONICAL SPRING	RESSORT	TELLERFEDER	1
24	22041940/0	BUSSOLA	BUSH	DOUILLE	BUCHSE	1
25	12736825/0	VITE	SCREW	VIS	SCHRAUBE	1
26	22060880/0	CARTER CINGHIA	BELT GUARD	CARTER PROTECTION	SCHUTZ	1
27	12728625/0	VITE	SCREW	VIS	SCHRAUBE	2
28	81001212/0	ASSE RUOTE ANTERIORI	FRONT WHEELS AXLE	AXE ROUES AVANT	VORDERRAED ACHSE	1
29	12530150/0	RONDELLA	WASHER	RONDELLE	SCHEIBE	4
30	81007311/0	RUOTA NERA Ø 170	BLACK WHEEL Ø 170	ROUE NOIRE Ø 170	SCHWARZES RAD Ø 170	2
31	22122200/0	CUSCINETTO	BEARING	COUSSINET	KUGELLAGER	8
32	12521350/0	RONDELLA	WASHER	RONDELLE	SCHEIBE	4
33	12155000/0	DADO	NUT	ECROU	MUTTER	4
34	22110252/0	COPRIMOZZO BIANCO	WHITE HUB CAP	COUVRE-MOYEU BLANC	WEISSE RADKAPPE	2
—	22110254/0	COPRIMOZZO GIALLO	YELLOW HUB CAP	COUVRE-MOYEU JAUNE	GELBE RADKAPPE	2
35	22545142/0	PIASTRINA	PLATE	PLAQUETTE	PLÄTTCHEN	4
36	12731350/0	VITE	SCREW	VIS	SCHRAUBE	8
37	22038401/0	BRONZINA	BUSHING	COUSSINET	BRONZELAGER	4
38	81001220/0	ASTA	ROD	TIGE	STANGE	1
39	22446180/0	MOLLA	SPRING	RESSORT	FEDER	1
40	12729600/0	VITE	SCREW	VIS	SCHRAUBE	1
41	12523040/0	ROSETTA	WASHER	RONDELLE	SCHEIBE	1
42	12436050/0	PIASTRINA	PLATE	PLAQUETTE	PLÄTTCHEN	2
43	81001214/0	ASSE RUOTE POST.	REAR WHEELS AXLE	AXE ROUES ARRIERE	HINTERRADACHSE	1
44	81007313/0	RUOTA Ø 210	WHEEL Ø 210	ROUE Ø 210	RAD Ø 210	2
45	22110251/0	COPRIMOZZO BIANCO	WHITE HUB CAP	COUVRE-MOYEU BLANC	WEISSE RADKAPPE	2
—	22110253/0	COPRIMOZZO GIALLO	YELLOW HUB CAP	COUVRE-MOYEU JAUNE	GELBE RADKAPPE	2
46	81003278/0	LEVA REGOLAZIONE	ADJUSTMENT LEVER	LEVIER REGLAGE	VERSTELLUNGHEBEL	1
47	22397000/0	MANOPOLINA	KNOB	POIGNÉE	GRIFF	2
48	12789000/0	VITE	SCREW	VIS	SCHRAUBE	2
49	12154330/0	DADO	NUT	ECROU	MUTTER	2
50	81003289/0	LEVA FRENO MOTORE	BRAKE LEVER	LEVIER FREIN MOTEUR	MOTORBREMSEHEBEL	1
51	22041966/0	BOCCOLA	BUSH	DOUILLE	BUCHSE	2
52	22120154/0	CRUSCOTTO ROSSO	RED DASH BOARD	CONSOLE ROUGE	ROTE KONSOLE	1
—	22120152/0	CRUSCOTTO GIALLO	YELLOW DASH BOARD	CONSOLE JAUNE	GELBE KONSOLE	1
53	22943006/0	VITE	SCREW	VIS	SCHRAUBE	1
54	12728460/0	VITE	SCREW	VIS	SCHRAUBE	1
55	22319304/0	LEVA	LEVER	LEVIER	HEBEL	1
56	22394641/0	MANOPOLINA	KNOB	POIGNÉE	GRIFF	1
57	12791500/0	VITE	SCREW	VIS	SCHRAUBE	1
58	12530060/0	RONDELLA ELASTICA	SPRING WASHER	RONDELLE ELASTIQUE	ELASTISCHE SCHEIBE	2
60	12533040/0	RONDELLA	WASHER	RONDELLE	SCHEIBE	2
61	12154510/0	DADO	NUT	ECROU	MUTTER	1
62	22981467/0	PIASTRINA	PLATE	PLAQUETTE	PLATTE	1
63	12735105/0	VITE	SCREW	VIS	SCHRAUBE	2
64	22806512/0	SUPPORTO	SUPPORT	SUPPORT	KORB	1
65	12728518/0	VITE	SCREW	VIS	SCHRAUBE	1
66	81007160/0	ASS. CAVO ACCELERATORE	TROTTLE UNIT ASS.Y	ENS. ACCELERATEUR	BESCHLEUNIGER	1
67	81000620/1	ASS. CAVO FRENO MOTORE	THREAD MOTOR ASS.Y	CABLE FREIN MOTEUR	MOTORBREMSEKABEL	1
—	81000622/1	QUANTUM XM	QUANTUM XM	QUANTUM XM	QUANTUM XM	1
—	81000622/1	ASS. CAVO FRENO MOTORE	THREAD MOTOR ASS.Y	CABLE FREIN MOTEUR	MOTORBREMSEKABEL	1
68	14356743/0	TECUMSEH	TECUMSEH	TECUMSEH	TECUMSEH	1
—	14356743/0	ETICHETTA (TECUMSEH)	LABEL (TECUMSEH)	ETIQUETTE (TECUMSEH)	ETIKETTE (TECUMSEH)	1
—	14356744/0	ETICHETTA (B&S)	LABEL (B&S)	ETIQUETTE (B&S)	ETIKETTE (B&S)	1
101	90006000/0	ASS. SACCO IN TELA	CANVASS GRASSCATCHER	ENSEMBLE SAC EN TOILE	KOMPLETTER SACK	1
102	81006425/0	TELAIO	CHASSIS	CHASSIS	RAHMEN	1
103	81002106/0	TELA SACCO	FABRIC BOX	TOILE POUR SAC	TUCK FÜR SACK	1
—	81008607/0	DOTAZIONE VITERIA	SCREWS OUTFIT	DOTATION VISSERIE	SCHRAUBEN SATZ	1