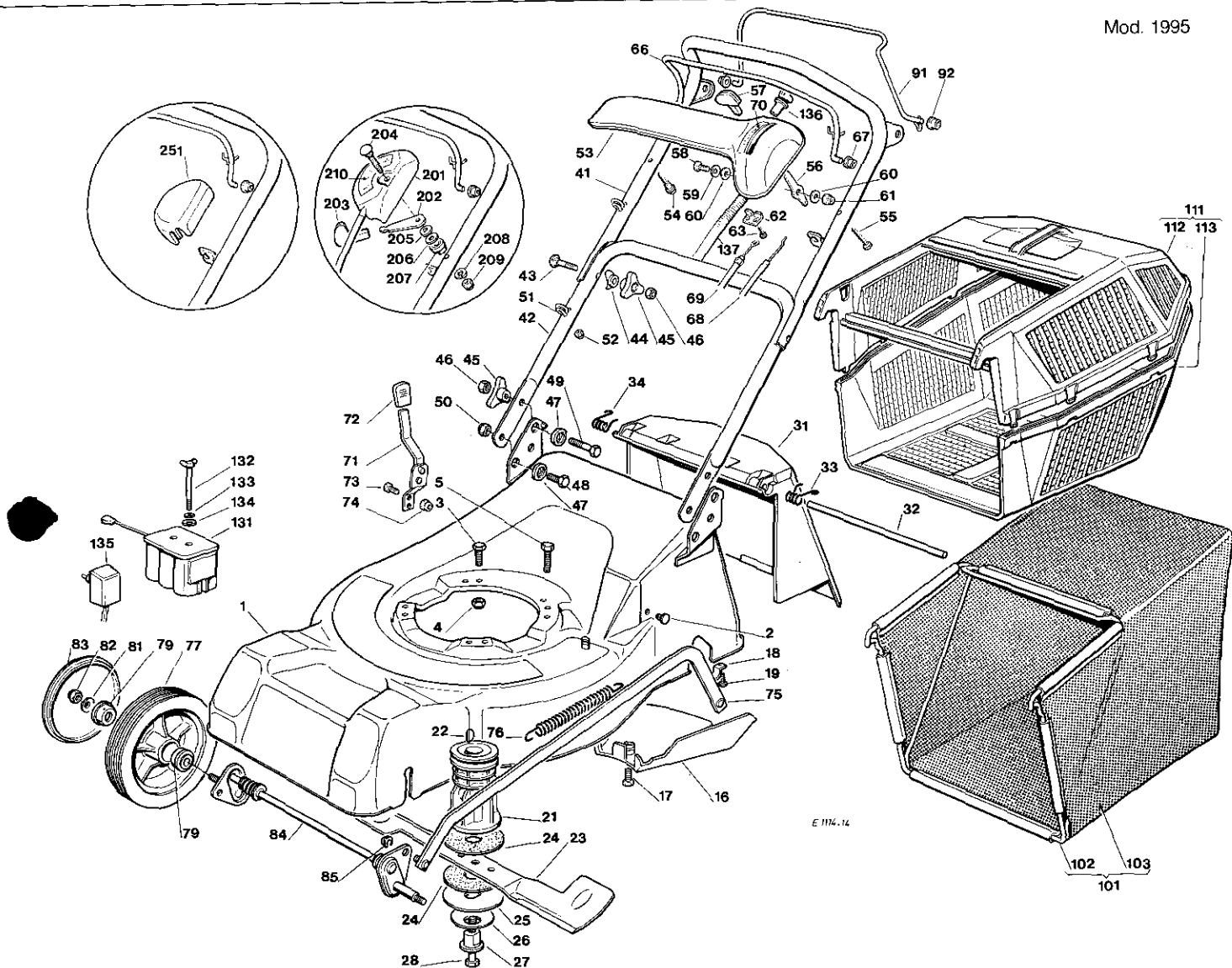


VISTE ESPLOSE  
EXPLODED VIEWS

VUES ECLATEES  
SPRENGZEICHNUNGEN

NG 504 TR  
NG 504 TR-E 001

Mod. 1995



Pos. Nr.	Codice Kodex Code	Descrizione	Description	Description	Beschreibung	Q.tà Q.ty Q.tè Menge
1	81001290/0	CHASSIS ROSSO TR	RED DECK TR	CHASSIS ROUGE TR	ROTES GEHÄUSE TR	1
—	81001283/0	CHASSIS GIALLO TR	YELLOW DECK TR	CHASSIS JAUNE TR	GELBES GEHÄUSE TR	1
—	81001445/0	CHASSIS VERDE TR	GREEN DECK TR	CHASSIS VERT TR	GRÜNEN GEHÄUSE TR	1
—	81001304/0	CHASSIS ROSSO TR/E	RED DECK TR/E	CHASSIS ROUGE TR/E	ROT GEHÄUSE TR/E	1
—	81001492/0	CHASSIS GIALLO TR/E	YELLOW DECK TR/E	CHASSIS JAUNE TR/E	GELB GEHÄUSE TR/E	1
—	81001545/0	CHASSIS VERDE TR/E	GREEN DECK TR/E	CHASSIS VERT TR/E	GRÜN GEHÄUSE TR/E	1
2	18737848/0	TAPPO	CAP	BOUCHON	GUMMISTOPFEN	1
3	12793700/0	VITE (M8x30)	SCREW (M8x30)	VIS (M8x30)	SCHRAUBE (M8x30)	3/2
—	12793900/0	VITE (M8x60)	SCREW (M8x60)	VIS (M8x60)	SCHRAUBE (M8x60)	0/1
4	12293201/0	DADO	NUT	ECROU	MUTTER	3/2
—	12155000/0	DADO	NUT	ECROU	MUTTER	0/1
16	22060190/0	CARTER	DECK	CHASSIS	CHASSIS	1
17	12727791/0	VITE	SCREW	VIS	SCHRAUBE	1
18	22545152/0	PIASTRINA	PLAQUE	PLAQUETTE	PLATTE	2
19	12731350/0	VITE	SCREW	VIS	SCHRAUBE	4
21	22465611/0	MOZZO CON PULEGGIA	HUB WITH PULLEY	MOYEU AVEC POULIE	NABE MIT SCHEIBE	1
22	12139100/0	LINGUETTA (PP Ø 22)	FEATHER (P.T.O. Ø 22)	CLAVETTE (P.F. Ø 22)	KEIL (MW Ø 22)	1
23	81004395/1	COLTELLO ALETTATO	WINGS BLADE	LAME À AILETTES	FLÜGEL MESSER	1
24	22672110/1	RONDELLA	WASHER	RONDELLE	SCHEIBE	2
25	22672105/0	RONDELLA	WASHER	RONDELLE	SCHEIBE	1
26	12508120/0	MOLLA A TAZZA	CONICAL SPRING	RESSORT	TELLERFEDER	1
27	22041940/0	BUSSOLA	BUSH	DOUILLE	BUCHSE	1
28	12736850/0	VITE	SCREW	VIS	SCHRAUBE	1
31	22600028/3	PARASASSI	STONE-GUARD	PARE-PIERRES	PRALLBLECH	1
32	22517906/0	PERNO	PIN	PIVOT	BOLZEN	1
33	22450420/1	MOLLA SX	L. SPRING	RESSORT G.	L.FEDER	1
34	22450410/1	MOLLA DX	R. SPRING	RESSORT D.	R.FEDER	1
41	81007006/0	PORTE SUPERIORE MANICO	UPPER HANDLE	PARTIE SUP. MANCHERON	OBERHOLM	1
42	81007014/0	PORTE INFERIORE MANICO	LDWER HANDLE	PARTIE INF. MANCHERON	UNTERHOLM	1
43	12819201/0	VITE	SCREW	VIS	SCHRAUBE	2

Pos. Nr.	Codice Kodex Code	Descrizione	Description	Description	Beschreibung	Q.tà Q.ty Q.te
44	22680006/1	RONDELLA	WASHER	RDNELLE	SCHEIBE	2
45	22399900/0	MANOPOLINA	KNDB	POIGNÉE	GRIFF	4
46	12293200/0	DADO	NUT	ECROU	MUTTER	4
47	22041955/0	BUSSOLA	BUSH	DOUILLE	BUCHSE	4
48	12792610/0	VITE	SCREW	VIS	SCHRAUBE	2
49	12793700/0	VITE	SCREW	VIS	SCHRAUBE	2
50	12155000/0	DADO	NUT	ECROU	MUTTER	2
51	22430309/0	MOLLA GUIDA	SPRING	RESSORT	FEDER	2
52	12154330/0	DADO	NUT	ECROU	MUTTER	2
53	22120154/0	CRUSCOTTO ROSSO	RED DASH BOARD	CONSOLE ROUGE	ROTE KONSOLE	1
—	22120152/0	CRUSCOTTO GIALLO	YELLOW DASH BOARD	CONSOLE JAUNE	GELBE KONSOLE	1
54	22943006/0	VITE	SCREW	VIS	SCHRAUBE	1
55	12728460/0	VITE	SCREW	VIS	SCHRAUBE	1
56	22319304/0	LEVA	LEVER	LEVIER	HEBEL	1
57	22394641/0	MANOPOLA	KNOB	POIGNÉE	GRIFF	1
58	12791500/0	VITE	SCREW	VIS	SCHRAUBE	1
59	12530060/0	RONDELLA ELASTICA	SPRING WASHER	RONDELLE ELASTIQUE	ELASTISCHE SCHEIBE	1
60	12533040/0	RONDELLA	WASHER	RONDELLE	SCHEIBE	2
61	12154510/0	DADO	NUT	ECROU	MUTTER	1
62	22981467/0	PIASTRINA	PLAQUE	PLAQUETTE	PLATTE	1
63	12735105/0	VITE	SCREW	VIS	SCHRAUBE	2
66	81003289/0	LEVA FRENO MOTORE	BRAKE LEVER	LEVIER FREIN MOTEUR	MOTORBREMSEHEBEL	1
67	22041966/0	BOCCOLA	BUSCHING	DOUILLE	BUCHSE	2
68	81007160/0	CAVO ACCELERATORE	THROTTLE CABLE	CABLE ACCELERATEUR	BESCHLEUNIGER KABEL	1
69	8100623/0	CAVO FRENO MOTORE (TECUMSEH)	THREAD MOTOR BRAKE (TECUMSEH)	CABLE FREIN MOTEUR (TECUMSEH)	MOTORBREMSEKABEL (TECUMSEH)	1
—	8100624/0	CAVO FRENO MOTORE (QUANTUM XM)	THREAD MOTOR BRAKE (QUANTUM XM)	CABLE FREIN MOTEUR (QUANTUM XM)	MOTORBREMSEKABEL (QUANTUM XM)	1
—	8100625/0	CAVO FRENO MOTORE (SPRINT 375)	THREAD MOTOR BRAKE (SPRINT 375)	CABLE FREIN MOTEUR (SPRINT 375)	MOTORBREMSEKABEL (SPRINT 375)	1
70	14356743/0	ETICHETTA (TECUMSEH)	LABEL (TECUMSEH)	ETIQUETTE (TECUMSEH)	ETIKETTE (TECUMSEH)	1
—	14356744/0	ETICHETTA (B&S)	LABEL (B&S)	ETIQUETTE (B&S)	ETIKETTE (B&S)	1
71	81003279/1	LEVA	LEVER	LEVIER	HEBEL	1
72	22397000/0	MANOPOLA	KNOB	POIGNÉE	GRIFF	1
73	12789000/0	VITE	SCREW	VIS	SCHRAUBE	2
74	12154330/0	DADO	NUT	ECROU	MUTTER	2
75	81001263/0	ASTA	ROD	TIGE	STANGE	1
76	22446180/0	MOLLA	SPRING	RESSORT	FEDER	1
77	81007311/0	RUOTA NERA Ø 170	BLACK WHEEL Ø 170	ROUE NOIRE Ø 170	SCHWARZES RAD Ø 170	2
79	22034508/0	BOCCOLA	BUSH	DOUILLE	BUCHSE	4
81	12521350/0	RONDELLA	WASHER	RONDELLE	SCHEIBE	2
82	12155000/0	DADO	NUT	ECROU	MUTTER	2
83	22110262/0	COPRIMOZZO BIANCO	WHITE HUB CAP	COUVRE-MOYEU BLANC	WEISSE RADKAPPE	2
—	22110263/0	COPRIMOZZO GIALLO	YELLOW HUB CAP	COUVRE-MOYEU JAUNE	GELBE RADKAPPE	2
84	81001268/0	ASSE RUOTE ANT.	FRONT WHEELS AXLE	AXE ROUES AVANT	VORDERRADACHSE	1
85	12436050/0	PIASTRINA PER AST	PLAQUE	PLAQUETTE	PLATTE	2
91	81003288/0	LEVA TRAZIONE	DRIVING LEVER	LEVIER TRACTION	ANTRIEBHEBEL	1
92	22041965/0	BOCCOLA	BUSH	DOUILLE	BUCHSE	2
101	98004000/0	ASS. SACCO IN TELA	CANVASS GRASSCATCHER ASS.Y	ENSEMBLE SAC EN TOILE	KOMPLETTER SACK	1
102	81006408/0	TELAIO	CHASSIS	CHASSIS	RAHMEN	1
103	81002105/1	TELA SACCO	FABRIC BOX	TOILE POUR SAC	TUCK FÜR SACK	1
111	98005000/1	SACCO COMPLETO	COMPLETE GRASS-BOX	SAC COMPLET	KOMPLETTER KORB	1
112	22486076/0	PARTE SUP. SACCO	UPPER GRASS-BOX	PARTIE SUP. SAC	OBERTEILER HORB	1
113	22486077/0	PARTE INF. SACCO	LOWER GRASS-BOX	PARTIE INF. SAC	UNTERTEILER KORB	1

**VARIANTI PER AVVIAMENTO ELETTRICO**

**PARTS FOR ELECTRIC START**

**COMPOSANTS POUR DÉMARRAGE ÉLECTRIQUE**

**ELEKTROSTART BESTANDTEILE**

131*	18120050/0	BATTERIA	BATTERY	BATTERIE	BATTERIE	1
132	22517855/0	PERNO	PIN	PIVOT	BOLZEN	2
133	12523000/0	RONDELLA	WASHER	RONDELLE	SCHEIBE	2
134	12540020/0	RONDELLA	WASHER	RONDELLE	SCHEIBE	2
135*	18204110/0	CARICA BATTERIA	BATTERY CHARGER	CHARGEUR DE BATTERIE	LADGERAET	1
136	18450050/0	INTERRUTTORE	SWITCH	INTERRUPTEUR	SCHALTER	1
137	18204190/2	ASS. CABLAGGIO	CABLES UNIT	ENS. CABLAGE	KABEL	1

**VARIANTE ACCELERATORE**

**THROTTLE VARIANTS**

**VARIANTES DE COMANDE D'ACCELERATION**

**ÄNDERUNGEN AUF GASHEBEL**

201	81007080/0	ASSIEME ACCELERATORE	TROTTLE UNIT ASS.Y	ENS. ACCELERATEUR	BESCHLEUNIGER	1
202	22319302/0	LEVA	LEVER	LEVIER	HEBEL	1
203	22394641/0	MANOPOLA	KNOB	POIGNÉE	GRIFF	1
204	12815000/0	VITE	SCREW	VIS	SCHRAUBE	1
205	12508100/0	RONDELLA ELASTICA	SPRING WASHER	RONDELLE ELASTIQUE	ELASTISCHE SCHEIBE	1
206	12521360/0	RONDELLA	WASHER	RONDELLE	SCHEIBE	2
207	22171005/0	DISTANZIALE	SPACER	ENTRETOISE	DISTANZRING	1
208	12581500/0	GROWER	GROWER	GROWER	FEDERING	1
209	12291000/0	DADO	NUT	ECROU	MUTTER	1
210	14356702/0	ETICHETTA (TECUMSEH)	LABEL (TECUMSEH)	ETIQUETTE (TECUMSEH)	ETIKETTE (TECUMSEH)	1
—	14356703/0	ETICHETTA (B&S)	LABEL (B&S)	ETIQUETTE (B&S)	ETIKETTE (B&S)	1

**VARIANTE REGIME FISSO**

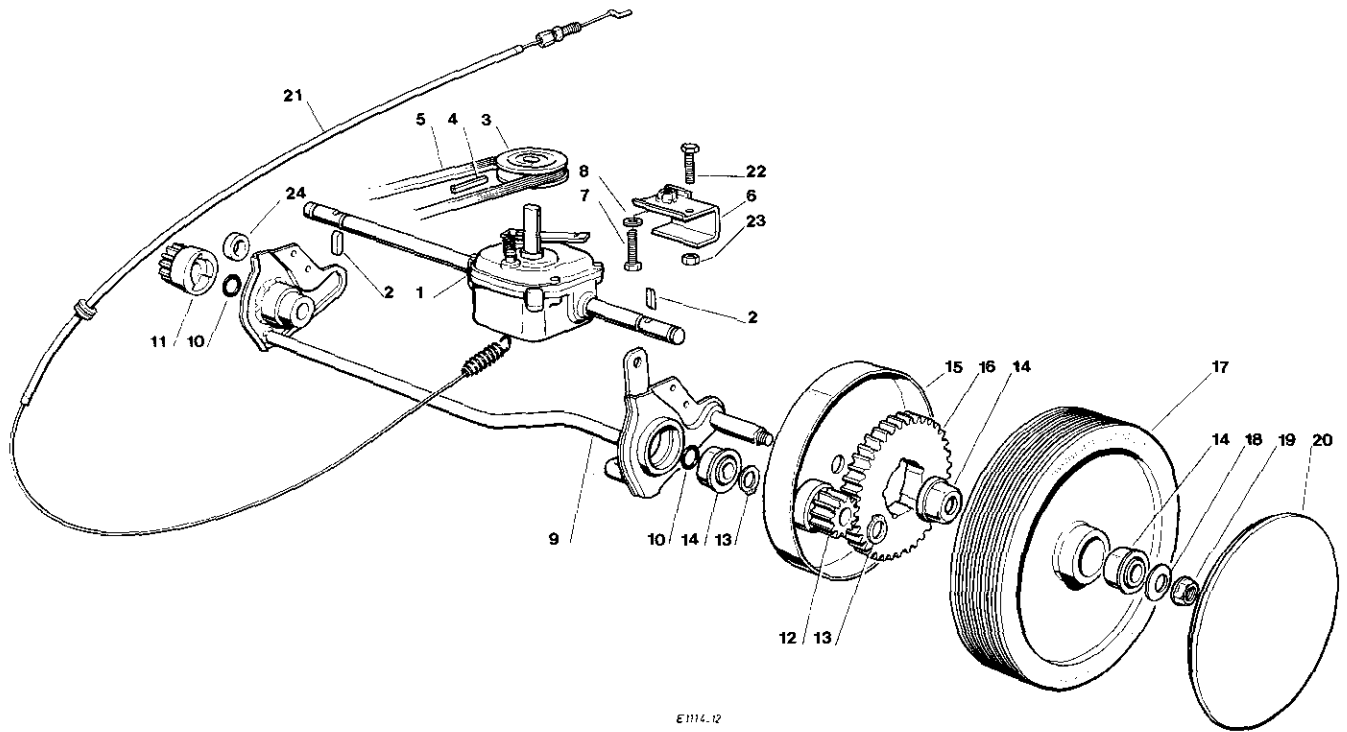
**R.P.M. VARIANTS**

**VARIANTES POUR MODELE À REGIME FIXE**

**ÄNDERUNGEN FÜR MODELLE MIT FIXIERTER DREHZAHL**

251	22601000/0	PROTEZIONE	PROTECTION	PROTECTION	SCHUTZ	1
—	81008605/0	DOTAZIONE VITERIA	SCREWS OUTFIT	DOTATION VISSERIE	SCHRAUBEN SATZ	1

Mod. 1995



E1114.12

Pos. Nr.	Kodice Kodex Code	Descrizione	Description	Description	Beschreibung	Q.tà Q.ty Q.tè Menge
1	18652002/0	GRUPPO TRAZIONE (PLASTICA)	REAR DRIVE (PLASTIC)	GROUPE TRACTION (PLASTIQUE)	ANTRIEB (KUNSTSTOFF)	1
2	22328600/1	LINGUETTA TRASCINAMENTO	DRIVING KEY	CLAVETTE	MITNEHMERLAPPEN	2
3	22601904/0	PULEGGIA 4 KM/H	PULLEY 4 KM/H	POULIE 4 KM/H	RIEMENSCHLEIBE 4 KM/H	1
4	12645705/0	SPINA	PIN	GOUILLE	STIFT	1
5	35063900/0	CINGHIA Z 28	BELT Z 28	COURROIE Z 28	RIEMEN Z 28	1
6	81005104/0	SUPPORTO TRAZIONE	SUPPORT	SUPPORT	ANTRIEBHALTER	1
7	12793600/0	VITE	SCREW	VIS	SCHRAUBE	1
8	12523060/0	RONDELLA	WASHER	RONDELLE	SCHEIBE	1
9	8100125/0	ASSE RUOTE POSTERIORE	REAR WHEELS AXLE	AXE ROUES ARRIERE	HINTERRADDER ACHSE	1
10	12019900/0	ANELLO OR	OR RING	BAGUE OR	RING OR	2
11	22570110/0	PIGNONE DESTRO	RIGHT PINION	PIGNON DROITE	RECHTES RITZEL	1
12	22570120/0	PIGNONE SINISTRO	LEFT PINION	PIGNON GAUCHE	LINKES RITZEL	1
13	12608600/0	SEEGER	SEEGER	SEEGER	SEEGER	4
14	22034508/0	BOCCOLA	BUSCHING	DOUILLE	BUCHSE	6
15	81006846/0	PROTEZIONE RUOTE	WHEEL GUARD	PROTECTION ROUE	RAEDERSCHUTZ	2
16	22120105/1	CORONA	RING GEAR	COURONNE	KRANZ	2
17	81007313/0	RUOTA NERA Ø 210	BLACK WHEEL Ø 210	ROUE NOIRE Ø 210	SCHWARZES RAD Ø 210	2
18	12369500/0	RONDELLA	WASHER	RONDELLE	SCHEIBE	2
19	12155000/0	DADO	NUT	ECROU	MUTTER	2
20	22110265/0	COPRIMOZZO BIANCO	WHITE HUB CAP	COUVRE-MOYEU BLANCHE	WEISSE RADKAPPE	2
—	22110266/0	COPRIMOZZO GIALLO	YELLOW HUB CAP	COUVRE-MOYEU JAUNE	GELBE RADKAPPE	2
21	81001140/0	ASS. COMANDO TRAZIONE	REAR DRIVE ASS.Y	ENS. COMANDE TRACTION	ANTRIEB	1
22	12689515/0	VITE	SCREW	VIS	SCHRAUBE	1
23	12154500/0	DADO	NUT	ECROU	MUTTER	1
24	22170800/0	DISTANZIALE	SPACER	ENTRETOISE	DISTANZRING	1