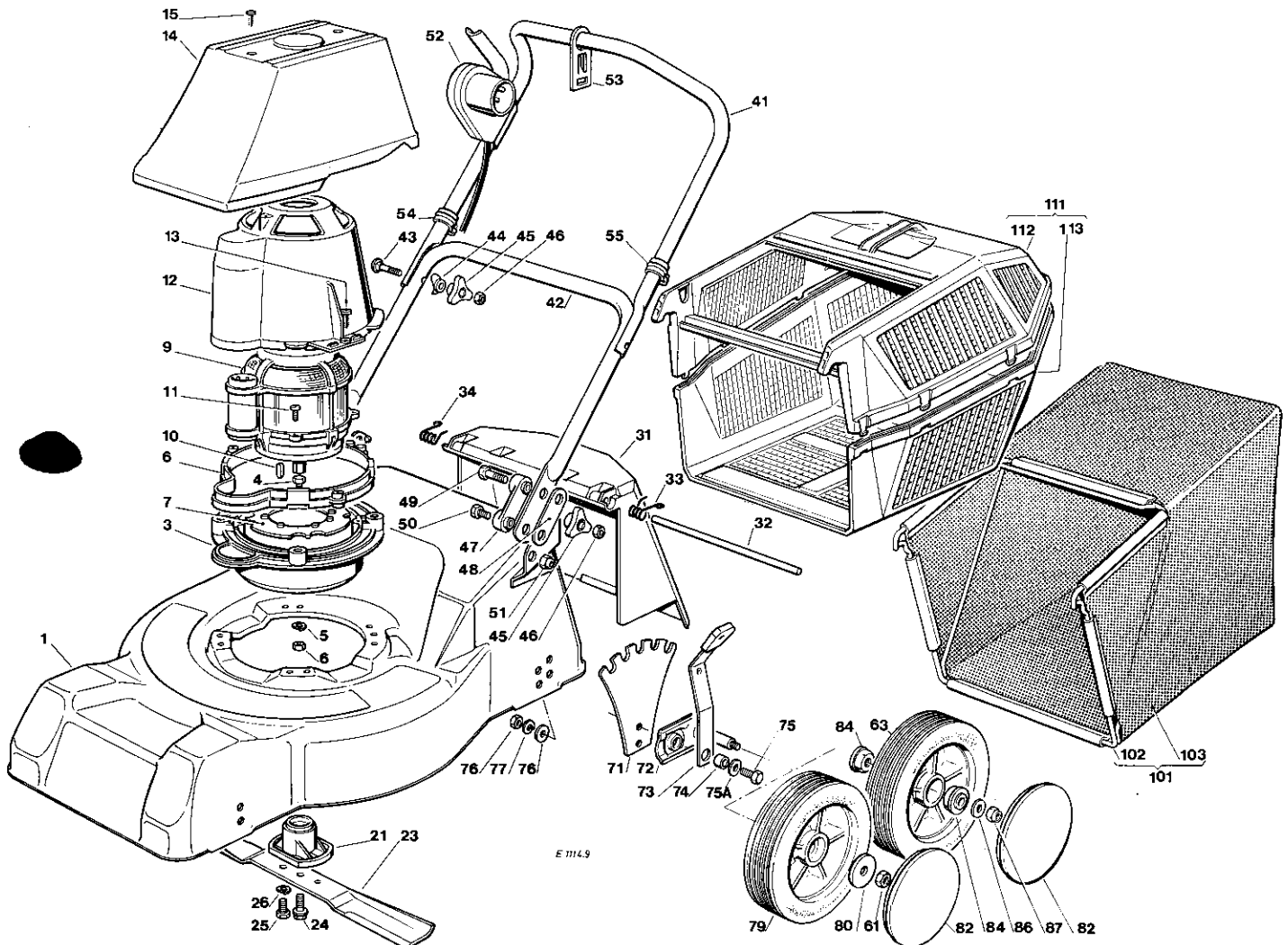


VISTE ESPLOSE  
EXPLODED VIEWS

VUES ECLATEES  
SPRENGZEICHNUNGEN

NG 410  
NG 460

Mod. 1995



Pos. Nr.	Codice Kodex Code	Descrizione	Description	Description	Beschreibung	Q.tà Q.ty Q.tè Menge
1	81001174/0	CHASSIS ROSSO (NG 410)	RED DECK (NG 410)	CHASSIS ROUGE (NG 410)	ROT GEHÄUSE (NG 410)	1
—	81001199/0	CHASSIS GIALLO (NG 410)	YELLOW DECK (NG 410)	CHASSIS JAUNE (NG 410)	GELB GEHÄUSE (NG 410)	1
—	81001441/0	CHASSIS VERDE (NG 410)	GREEN DECK (NG 410)	CHASSIS VERT (NG 410)	GUEN GEHÄUSE (NG 410)	1
—	81001175/0	CHASSIS ROSSO (NG 460)	RED DECK (NG 460)	CHASSIS ROUGE (NG 460)	ROT GEHÄUSE (NG 460)	1
—	81001282/0	CHASSIS GIALLO (NG 460)	YELLOW DECK (NG 460)	CHASSIS JAUNE (NG 460)	GELB GEHÄUSE (NG 460)	1
—	81001442/0	CHASSIS VERDE (NG 460)	GREEN DECK (NG 460)	CHASSIS VERT (NG 460)	GUEN GEHÄUSE (NG 460)	1
3	22207211/2	FLANGIA	FLANGE	BRIDE	FLANSCH	1
4	12793700/0	VITE	SCREW	VIS	SCHRAUBE	4
5	12583500/0	GROWER	GROWER	GRDWER	FEDERRING	4
6	12293200/0	DADO	NUT	ECROU	MUTTER	4
7	22720360/1	SCHERMO VENTILAZIONE	VENTILATION SCREEN	ECRAU VENTILATIDN	UFTUNGSCIRTM	1
8	22174006/1	DISTANZIALE	SPACER	ENTRETOISE	DISTANZIARING	1
9	18563062/0	MOTORE IBMEI 1100W (230V)	IBMEI MOTOR 1100W (230V)	MOTEUR IBMEI 1100W (230V)	MOTOR IBMEI 1100W (230V)	1
—	18563002/0	MOTORE RST 1100W (220-230V)	RST MOTOR 1100W (220-230V)	MOTEUR RST 1100W (220-230V)	MOTOR RST 1100W (220-230V)	1
—	18563042/0	MOTORE IBMEI 1100W (240V)	IBMEI MOTOR 1100W (240V)	MOTEUR IBMEI 1100W (240V)	MOTOR IBMEI 1100W (240V)	1
—	18563061/0	MOTORE IBMEI 1500W (230V)	IBMEI MOTOR 1500W (230V)	MOTEUR IBMEI 1500W (230V)	MOTOR IBMEI 1500W (230V)	1
—	18563006/0	MOTORE RST 1500W (220-230V)	RST MOTOR 1500W (220-230V)	MOTEUR RST 1500W (220-230V)	MOTOR RST 1500W (220-230V)	1
—	18563047/0	MOTORE IBMEI 1500W (240V)	IBMEI MOTOR 1500W (240V)	MOTEUR IBMEI 1500W (240V)	MOTOR IBMEI 1500W (240V)	1

Pos. Nr.	Codice Kodex Code	Descrizione	Description	Description	Beschreibung	Q.tà Q.ty Q.tè Menge
9A	18740049/0	VENTOLA PER MOTORE	MOTOR FAN	VENTILATEUR MOTEUR	LÜFTER	1
—	18740051/0	VENTOLA PER MOTORE RST	RST MOTOR FAN	VENTILATEUR MOTEUR RST	RST LÜFTER	1
9B	18222036/0	CONDENSATORE 12 µF	CONDENSER 12 µF	CONDENSEUR 12 µF	KONDENSATDR 12 µF	1
—	18222037/0	CONDENSATORE 16 µF	CONDENSER 16 µF	CONDENSEUR 16 µF	KONDENSATOR 16 µF	1
10	12139440/0	LINGUETTA	FEATHER	CLAVETTE	KEIL	1
11	12735410/0	VITE	SCREW	VIS	SCHRAUBE	4
12	22785060/1	SUPPDRTO CAPOTTINA	COVER SUPPORT	SUPPORT CAPOT	HAUBEHALTER	1
13	12728710/0	VITE	SCREW	VIS	SCHRAUBE	4
14	81002056/0	ASS. CAPOTTINA	COVER ASS.Y	ENS. CAPOT	KOMPLETTE HAUBE	1
15	12728680/0	VITE	SCREW	VIS	SCHRAUBE	2
21	22463186/1	MOZZO	HUB	MOYEU	HALTER	1
23	81004360/2	COLTELLO STANDARD (39 cm.)	STANDARD BLADE (39 cm.)	LAME STANDARD (39 cm.)	STANDARD MESSER (39 cm.)	1
—	81004233/2	COLTELLO ALETTATO (39 cm.)	WINGS BLADE (39 cm.)	LAME À AILETTES (39 cm.)	FLUEGEL MESSER (39 cm.)	1
—	81004365/2	COLTELLO STANDARD (44 cm.)	STANDARD BLADE (44 cm.)	LAME STANDARD (44 cm.)	STANDARD MESSER (44 cm.)	1
—	81004232/2	COLTELLO ALETTATO (44 cm.)	WINGS BLADE (44 cm.)	LAME À AILETTES (44 cm.)	FLUEGEL MESSER (44 cm.)	1
24	81004352/0	ASS. VITE	SCREW ASS.Y	ENS. VIS	ENS. SCHRAUBE	1
25	12793101/0	VITE	SCREW	VIS	SCHRAUBE	2
26	12583500/0	GROWER	GROWER	GROWER	FEDERRING	2
31	22600028/3	PARASASSI	STONE-GUARD	PARE-PIERRES	PRALLBLECH	1
32	22517906/0	PERNO	PIN	PIVOT	BOLZEN	1
33	22450420/1	MOLLA SX	LEFT SPRING	RESSORT GAUCHE	LINK FEDER	1
34	22450410/1	MOLLA DX	RIGHT SPRING	RESSORT DROITE	RECHTE FEDER	1
41	81007017/0	PARTE SUP. MANICO	UPPER HANDLE	PARTIE SUP. MANCHERON	HOLMOBERTEIL	1
42	81007013/0	PARTE INF. MANICO	LOWER HANDLE	PARTIE INF. MANCHERON	HOLMUNTERTEIL	1
43	12819201/0	VITE	SCREW	VIS	SCHRAUBE	2
44	226800061/1	RONDELLA	WASHER	RONDELLE	SCHEIBE	2
45	22399900/0	MANOPOLINA	KNOB	POIGNÉE	GRIFT	4
46	12293200/0	DADO	NUT	ECROU	MUTTER	4
47	22551575/0	PIASTRINA INTERNA	INSIDE PLAQUE	PLAQUETTE INTERNE	ISOLIERPLATTE	2
48	22551574/0	PIASTRINA ESTERNA	OUTSIDE PLAQUE	PLAQUETTE EXTERNE	ISOLIERPLATTE	2
49	12691115/0	VITE	SCREW	VIS	SCHRAUBE	2
50	12793300/0	VITE	SCREW	VIS	SCHRAUBE	2
51	12155000/0	DADO	NUT	ECROU	MUTTER	2
52	18710561/0	SALVAMOTORE M.M. 7 AMP. 602 MS (1100W)	DEAD HAND SWITCH 7 AMP. 602 MS (1100W)	INT. MAIN MORTE 7 AMP. 602 MS (1100W)	TOT MANSCHALTER 7 AMP. 602 MS (1100W)	1
—	18710620/0	SALVAMOTORE M.M. 7 AMP. 607 MS (1100W)	DEAD HAND SWITCH 7 AMP. 607 MS (1100W)	INT. MAIN MORTE 7 AMP. 607 MS (1100W)	TOT MANSCHALTER 7 AMP. 607 MS (1100W)	1
—	18710608/0	SALVAMOTORE M.M. 7 AMP. 603 MS (1100W)	DEAD HAND SWITCH 7 AMP. 603 MS (1100W)	INT. MAIN MORTE 7 AMP. 603 MS (1100W)	TOT MANSCHALTER 7 AMP. 603 MS (1100W)	1
—	18710604/0	SOLO PER SVIZZERA SALVAMOTORE M.M. 10 AMP. 602 MS (1500W IBMEI)	DEAD HAND SWITCH 10 AMP. 602 MS (1500W IBMEI)	INT. MAIN MORTE 10 AMP. 602 MS (1500W IBMEI)	TOT MANSCHALTER 10 AMP. 602 MS (1500W IBMEI)	1
—	18710610/0	SALVAMOTORE M.M. 9,5 AMP. 602 MS (1500W RST)	DEAD HAND SWITCH 9,5 AMP. 602 MS (1500W RST)	INT. MAIN MORTE 9,5 AMP. 602 MS (1500W RST)	TOT MANSCHALTER 9,5 AMP. 602 MS (1500W RST)	1
—	18710623/0	SALVAMOTORE M.M. 9,5 607 MS (1500W)	DEAD HAND SWITCH 9,5 607 MS (1500W)	INT. MAIN MORTE 9,5 607 MS (1500W)	TOT MANSCHALTER 9,5 607 MS (1500W)	1
—	18710572/0	SALVAMOTORE M.M. 10 AMP. 603 MS (1500W IBMEI)	DEAD HAND SWITCH 10 AMP. 603 MS (1500W IBMEI)	INT. MAIN MDRTE 10 AMP. 603 MS (1500W IBMEI)	TDT MANSCHALTER 10 AMP. 603 MS (1500W IBMEI)	1
—	18710609/0	SOLO PER SVIZZERA SALVAMOTORE M.M. 9,5 603 MS (1500W RST)	DEAD HAND SWITCH 9,5 603 MS (1500W RST)	INT. MAIN MORTE 9,5 603 MS (1500W RST)	TOT MANSCHALTER 9,5 603 MS (1500W RST)	1
53	22195101/1	FERMACAVO	FAIR LEAD	FIXATION CABLE	KABELBEFESTIGUNG	1
54	22192000/1	FASCETTA ANCORAGGIO	ANCHOR CLAMP	COLLIER ANCRAGE	BOWDENZUGHALTER	2
71	22735537/0	SETTORE REGOLAZIONE	ADJUSTERS SECTOR	SECTEUR REGLAGE	VERSTELLUNGSSEKTOR	4
72	81005082/0	SUPPORTO RUOTA	WHEEL SUPPORT	SUPPORT ROUE	RADHALTER	4
73	81003273/0	LEVA REGOLAZIONE	ADJUSTMENT LEVER	LEVIER REGLAGE	VERSTELLUNGHEBEL	4
74	22171001/0	DISTANZIALE	SPACER	ENTRETOISE	DISTANZRING	4
74A	12521350/0	RONDELLA	WASHER	RONDELLE	SCHEIBE	4
75	12793701/0	VITE	SCREW	VIS	SCHRAUBE	4
76	12523070/0	RONDELLA	WASHER	RONDELLE	SCHEIBE	4
77	12583500/0	GROWER	GROWER	GROWER	FEDERRING	4
78	12293200/0	DADO	NUT	ECROU	MUTTER	4
79	81007325/0	RUOTA Ø 170 NERA	BALCK Ø 170 WHEEL	ROUE Ø 170 NOIRE	SCHWARZE Ø 170 RAD	4
80	12523060/0	RONDELLA	WASHER	RONDELLE	SCHEIBE	4
81	12293201/0	DADO	NUT	ECROU	MUTTER	4
82	22110262/0	COPRIMOZZO BIANCO	WHITE HUB CAP	COUVRE-MOYEU BLANCHE	WEISSE RADKAPPE	4
—	22110263/0	COPRIMOZZO GIALLO	YELLOW HU BCAP	COUVRE-MOYEU JAUNE	GELB RADKAPPE	4

**VARIANTI RUOTE Ø 170 SU BOCCOLE**

**WHEELS VARIANTS Ø 170 ON BUSCHINGS**

**VARIANTES ROUES Ø 170 SUR DOUILLES**

**AENDERUNGEN AUF RAEDER Ø 170 MIT BÜCHSEN**

83	81007326/0	RUOTA NERA	BLACK WHEEL	ROUE NOIRE	SCHWARZE RAD	4
84	22034508/0	BOCCOLA	BUSCHING	DOUILLE	BÜCHSE	8
86	12521350/0	RONDELLA	WASHER	RONDELLE	SCHEIBE	4
87	12155000/0	DADO	NUT	ECROU	MUTTER	4

101	98004000/0	ASS. SACCO IN TELA	CANVASS GRASSCATCHER ASS.Y	ENSEMBLE SAC EN TOILE	KOMPLETTER SACK	1
102	81006408/0	TELAIO	CHASSIS	CHASSIS	RAHMEN.	1
103	81002105/0	TELA SACCO	FABRIC BOX	TOILE POUR SAC	TUCK FÜR SACK	1
111	98005000/1	SACCO COMPLETO	COMPLETE GRASS-BOX	SAC COMPLET	KOMPLETTER KORB	1
112	22486076/0	PARTE SUP. SACCO	UPPER GRASS BOX	PARTIE SUP. SAC	KORB OBERTEIL	1
113	22486077/0	PARTE INF. SACCO	LOWER GRASS BOX	PARTIE INF. SAC	KORB UNTERTEIL	1
—	81008596/0	DOTAZIONE VITERIA	SCREWS OUTFIT	DOTATION VISSERIE	SCHRAUBEN SATZ	1