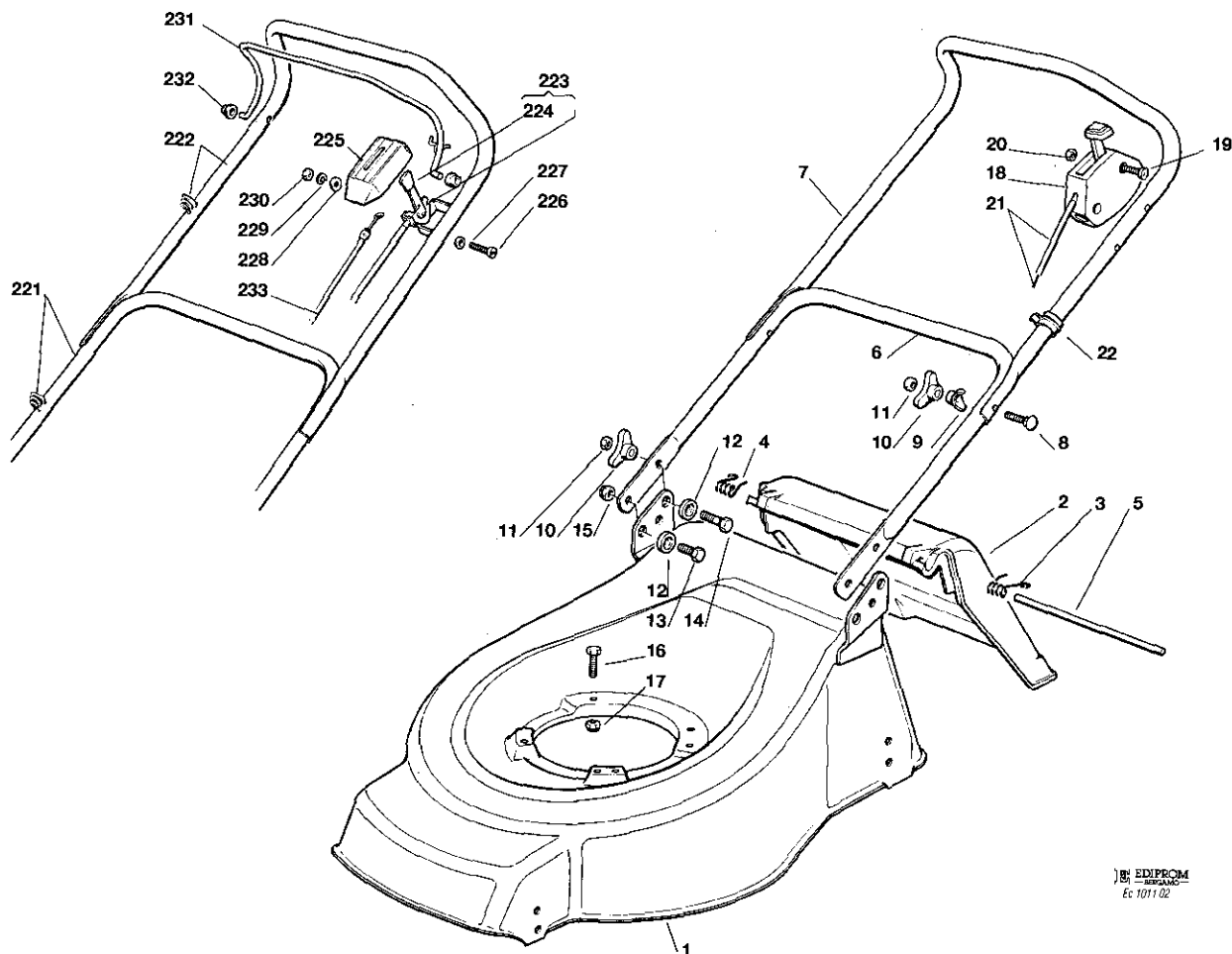


VISTE ESPLOSE
EXPLODED VIEWS
VUES ECLATEES
SPRENGZEICHNUNGEN

TD 434
TD 484

CHASSIS - MANICO - COMANDI
DECK - HANDLE - CONTROLS
CHASSIS - MANCHERON - COMMANDES
GEHÄUSE - HOLM - BETÄTIGUNGEN

Mod. 1994



EDIPROM
SERVIZIO
Ec 1011 02

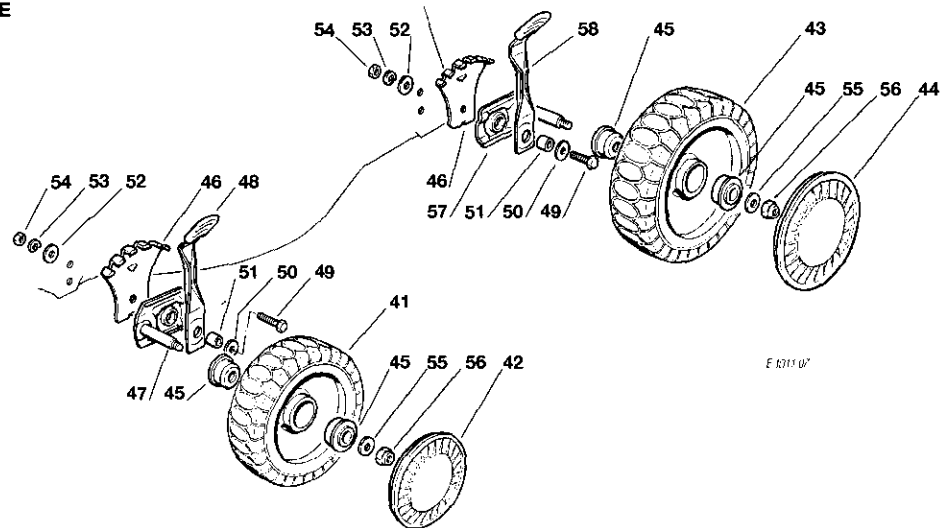
Pos. Nr.	Codice Code Kodex	Descrizione	Description	Description	Beschreibung	Q.tà Q.ty-Q.tè Menge
1	81001338/0	CHASSIS ROSSO TD 434	RED DECK TD 434	CHASSIS ROUGE TD 434	ROT GEHÄUSE TD 434	1
-	81001339/0	CHASSIS ROSSO TD 484	RED DECK TD 484	CHASSIS ROUGE TD 484	ROT GEHÄUSE TD 484	1
2	22600046/0	PARASASSI	STONE-GUARD	PARE-PIERRES	PRALLBLECH	1
3	22450420/1	MOLLA SINISTRA	LEFT SPRING	RESSORT GAUCHE	LINK FEDER	1
4	22450410/1	MOLLA DESTRA	RIGHT SPRING	RESSORT DROITE	RECHTE FEDER	1
5	22517906/0	PERNO	PIN	PIVOT	BOLZEN	1
6	81006512/0	PARTE INFERIORE MANICO	LOWER HANDLE	PARTIE INF. MANCHERON	HOLMUNTERTEIL	1
7	81006951/0	PARTE SUPERIORE MANICO	UPPER HANDLE	PARTIE SUP. MANCHERON	HOLMOBERTEIL	1
8	12819201/0	VITE	SCREW	VIS	SCHRAUBE	2
9	22680006/1	RONDELLA	WASHER	RONDELLE	SCHEIBE	2
16	22399900/0	MANOPOLINA	KNOB	POIGNÉE	GRIFT	4
11	12293200/0	DADO	NUT	ECROU	MUTTER	4
12	22041955/0	BUSSOLA	BUSH	DOUILLE	BÜCHSE	4
13	12792610/0	VITE	SCREW	VIS	SCHRAUBE	2
14	12793700/0	VITE	SCREW	VIS	SCHRAUBE	2
15	12155000/0	DADO	NUT	ECROU	MUTTER	2
16	12793700/0	VITE M8 x 30	SCREW M8 x 30	VIS M8 x 30	SCHRAUBE M8 x 30	3/2
-	12793900/0	VITE M8 x 60	SCREW M8 x 60	VIS M8 x 60	SCHRAUBE M8 x 60	0/1
17	12293201/0	DADO	NUT	ECROU	MUTTER	3/2
-	12155000/0	DADO	NUT	ECROU	MUTTER	0/1
18	81007062/0	ACCELERATORE	THROTTLE	ACCELERATEUR	BESCHLEUNIGER	1
19	12727792/0	VITE	SCREW	VIS	SCHRAUBE	2
20	12292100/0	DADO	NUT	ECROU	MUTTER	2
21	81007156/0	ASSIEME FILO + GUAINA	CABLE + THREAD ASS.Y	ENSEMBLE CABLE + GAINÉ	KABEL + MANTEL SATZ	1
22	22192000/1	FASCETTA ANCORAGGIO	ANCHOR CLAMP	BANDE ANCRAGE	BOWDENZUGHALTER	2

CN 71503219/0

Printed in Italy

Pos. Nr.	Codice Code Kodex	Descrizione	Description	Description	Beschreibung	Q.tà Q.ty-Q.tè Menge
		Variante per freno motore e avviamento sul manico	Variants for engine brake and starting on handle	Variations pour frein-moteur et démarrage sur mancheron	Änderungen für Motorbremse und Anlassen auf Holm	
221	81006514/0	PARTE INFERIORE MANICO	LOWER HANDLE	PARTIE INF. MANCHERON	UNTERHOLM	1
222	81006967/0	PARTE SUPERIORE MANICO	UPPER HANDLE	PARTIE SUP. MANCHERON	OBERHOLM	1
223	81007048/0	ASSIEME ACCELERATORE	TROTTLE UNIT ASS.Y	ENS. ACCELERATEUR	BESCHLEUNIGER	1
224	22394640/3	MANOPOLINA	KNOB	POIGNEE	GRIFF	1
225	22120142/0	CRUSCOTTO	DASH BOARD	CONSOLE	KONSOLE	1
226	12791400/0	VITE	SCREW	VIS	SCHRAUBE	2
227	12521330/0	RONDELLA	WASHER	RONDELLE	SCHEIBE	2
228	12523040/0	RONDELLA	WASHER	RONDELLE	SCHEIBE	2
229	12582100/0	GROWER	GROWER	GROWER	FEDERRING	2
230	12292100/0	DADO	NUT	ECROU	MUTTER	2
231	81003289/0	LEVA FRENO MOTORE	BRAKE LEVER	LEVIER FREIN MOTEUR	MOTORBREMSEHEBEL	1
232	22041966/0	BOCCOLA	BUSH	DOUILLE	BUCHSE	2
233	81000620/0	CAVO FRENO MOTORE	THREAD MOTOR BRAKE	CABLE FREIN MOTEUR	MOTORBREMSEKABEL	1
		TD 434 (Sprint 375)	TD 434 (Sprint 375)	TD 434 (Sprint 375)	TD 434 (Sprint 375)	
-	81001106/1	CAVO FRENO MOTORE	THREAD MOTOR BRAKE	CABLE FREIN MOTEUR	MOTORBREMSEKABEL	1
		TD 434 (Quantum XM)	TD 434 (Quantum XM)	TD 434 (Quantum XM)	TD 434 (Quantum XM)	
-	81001107/0	CAVO FRENO MOTORE	THREAD MOTOR BRAKE	CABLE FREIN MOTEUR	MOTORBREMSEKABEL	1
		TD 434-484 (Tecumseh)	TD 434-484 (Tecumseh)	TD 434-484 (Tecumseh)	TD 434-484 (Tecumseh)	
-	81000621/0	CAVO FRENO MOTORE	THREAD MOTOR BRAKE	CABLE FREIN MOTEUR	MOTORBREMSEKABEL	1
		TD 484 (Sprint 375)	TD 484 (Sprint 375)	TD 484 (Sprint 375)	TD 484 (Sprint 375)	
-	81001105/0	CAVO FRENO MOTORE	THREAD MOTOR BRAKE	CABLE FREIN MOTEUR	MOTORBREMSEKABEL	1
		TD 484 (Quantum XM)	TD 484 (Quantum XM)	TD 484 (Quantum XM)	TD 484 (Quantum XM)	

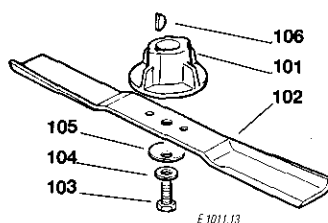
**RUOTE E REGOLAZIONE
WHEELS AND HEIGHT ADJUSTING
ROUES ET REGLAGE HAUTEUR DE COUPE
RAEDER UND SCHNITTVERSTELLUNG**



41	81007317/0	RUOTA SCOLPITA Ø 170	KNOBBLY WHEEL Ø 170	ROUE SCULPTEE Ø 170	RAD M. STOLLENPR. Ø 170	2
42	22110282/0	COPRIMOZZO BIANCO	WHITE HUB CAP	COUVRE-MOYEU BLANCHE	WEISSE RADKAPPE	2
43	81007318/0	RUOTA SCOLPITA Ø 210	KNOBBLY WHEEL Ø 210	ROUE SCULPTEE Ø 210	RAD M. STOLLENPR. Ø 210	2
44	22110281/0	COPRIMOZZO BIANCO	WHITE HUB CAP	COUVRE-MOYEU BLANCHE	WEISSE RADKAPPE	2
45	22034508/0	BOCCOLA	BUSHING	DOUILLE	BUCHSE	8
46	22735547/0	SETTORE REGOLAZIONE	ADJUSTERS SECTOR	SECTEUR REGLAGE	VERSTELLUNGSSEKTOR	4
47	81005082/0	SUPPORTO RUOTA	WHEEL SUPPORT	SUPPORT ROUE	RADHALTER	2
48	81003285/0	LEVA REGOLAZIONE	ADJUSTMENT LEVER	LEVIER REGLAGE	VERSTELLUNGHEBEL	2
49	12793701/0	VITE	SCREW	VIS	SCHRAUBE	4
50	12521350/0	RONDELLA	WASHER	RONDELLE	SCHEIBE	4

Pos. Nr.	Codice Code Kodex	Descrizione	Description	Description	Beschreibung	Q.tà Q.ty-Q.tè Menge
↓						
51	22171001/0	DISTANZIALE	SPACER	ENTRETOISE	DISTANZRING	4
52	12523070/0	RONDELLA	WASHER	RONDELLE	SCHEIBE	4
53	12583500/0	GROWER	GROWER	GROWER	FEDERRING	4
54	12293200/0	DADO	NUT	ECROU	MUTTER	4
55	12523060/0	RONDELLA	WASHER	RONDELLE	SCHEIBE	4
56	12155000/0	DADO	NUT	ECROU	MUTTER	4
57	81005084/0	SUPPORTO RUOTA	WHEEL SUPPORT	SUPPORT ROUE	RADHALTER	2
58	81003286/0	LEVA REGOLAZIONE	ADJUSTMENT LEVER	LEVIER REGLAGE	VERSTELLUNGHEBEL	2
		Varianti per ruote rigate	Changes for grooved wheels	Changements pour roues rainurées	Änderungen für Räder mit Längsprofile	
41	81007311/0	RUOTA RIGATA Ø 170	GROOVED WHEEL Ø 170	ROUE RAINUREE Ø 170	RAD M. LÄNGSPROFIL Ø 170	2
42	22110252/0	COPRIMOZZO BIANCO	WHITE HUB CAP	COUVRE-MOYEU BLANCHE	WEISSE RADKAPPE	2
43	81007313/0	RUOTA RIGATA Ø 210	GROOVED WHEEL Ø 210	ROUE RAINUREE Ø 210	RAD M. LÄNGSPROFIL Ø 210	2
44	22110251/0	COPRIMOZZO BIANCO	WHITE HUB CAP	COUVRE-MOYEU BLANCHE	WEISSE RADKAPPE	2

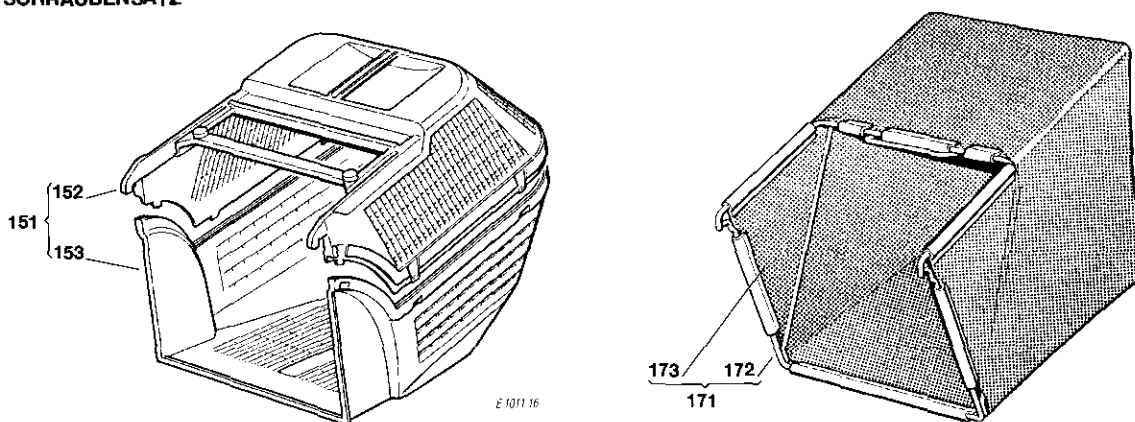
**GRUPPO COLTELLO
BLADE ASS.Y
GROUPE DES LAMES
MESSERSATZT**



101	22463012/1	MOZZO (P.P. 62 - Ø 22)	HUB (P.T.O. 62 - Ø 22)	MOYEU (P.F. 62 - Ø 22)	HALTER (M.W. 62 - Ø 22)	1
-	22463020/0	MOZZO (P.P. 62 - Ø 25)	HUB (P.T.O. 62 - Ø 25)	MOYEU (P.F. 62 - Ø 25)	HALTER (M.W. 62 - Ø 25)	1
102	81004341/0	COLTELLO STANDARD cm 41	STANDARD BLADE cm 41	LAME STANDARD cm 41	STANDARD MESSER cm 41	1
-	81004396/0	COLTELLO ALETTATO cm 41	WINGS BLADE cm 41	LAME À AILETTES cm 41	FLUEGELMESSER cm 41	1
-	81004346/0	COLTELLO STANDARD cm 46	STANDARD BLADE cm 46	LAME STANDARD cm 46	STANDARD MESSER cm 46	1
-	81004397/0	COLTELLO ALETTATO cm 46	WINGS BLADE cm 46	LAME À AILETTES cm 46	FLUEGELMESSER cm 46	1
103	12735698/0	VITE (P.P. 62)	SCREW (P.T.O. 62)	VIS (P.F. 62)	SCHRAUBE (M.W. 62)	1
104	12523080/0	RONDELLA	WASHER	RONDELLE	SCHEIBE	1
105	22160400/0	DISCO ELASTICO	ELASTIC WASHER	RONDELLE ELASTIQUE	ELASTISCHE SCHEIBE	1
106	12139100/0	LINGUETTA (P.P. Ø 22)	FEATHER (P.T.O. Ø 22)	CLAVETTE (P.F. Ø 22)	KEIL (M.W. Ø 22)	1
-	12139150/0	LINGUETTA (P.P. Ø 25)	FEATHER (P.T.O. Ø 25)	CLAVETTE (P.F. Ø 25)	KEIL (M.W. Ø 25)	1

Pos. Nr.	Codice Code Kodex	Descrizione	Description	Description	Beschreibung	Q.tà Q.ty-Q.tè Menge
----------	-------------------	-------------	-------------	-------------	--------------	----------------------------

**SACCO RACCOGLIERBA E DOTAZIONE
GRASS-CATCHER AND SCREWS OUTFITS
BAC DE RAMASSAGE ET DOTATION VISSERIE
GRASFANGKORB UND SCHRAUBENSATZ**



151	94004000/0	SACCO COMPLETO	COMPLETE GRASS-BOX	BAC COMPLET	KOMPLETTER KORB	1
152	22486073/0	PARTE SUPERIORE SACCO	UPPER GRASS-BOX	PARTIE SUPERIEURE SAC	KORB OBERTEIL	1
153	22486074/0	PARTE INFERIORE SACCO	LOWER GRASS-BOX	PARTIE INFERIEURE SAC	KORB UNTERTEIL	1
171	94005000/0	ASSIEME SACCO TELA	CANVASS GRASSCATCHER ASS.Y	ENSEMBLE SAC EN TOILE	KOMPLETTER SACK	1
172	81006418/0	TELAIO	CHASSIS	CHASSIS	RAHMEN	1
173	81002105/0	TELA SACCO	FABRIC BOX	TOILE POUR SAC	TUCK FÜR SACK	1
-	81008595/0	DOTAZIONE VITERIA	SCREWS OUTFIT	DOTATION VISSERIE	SCHRAUBEN SATZ	1