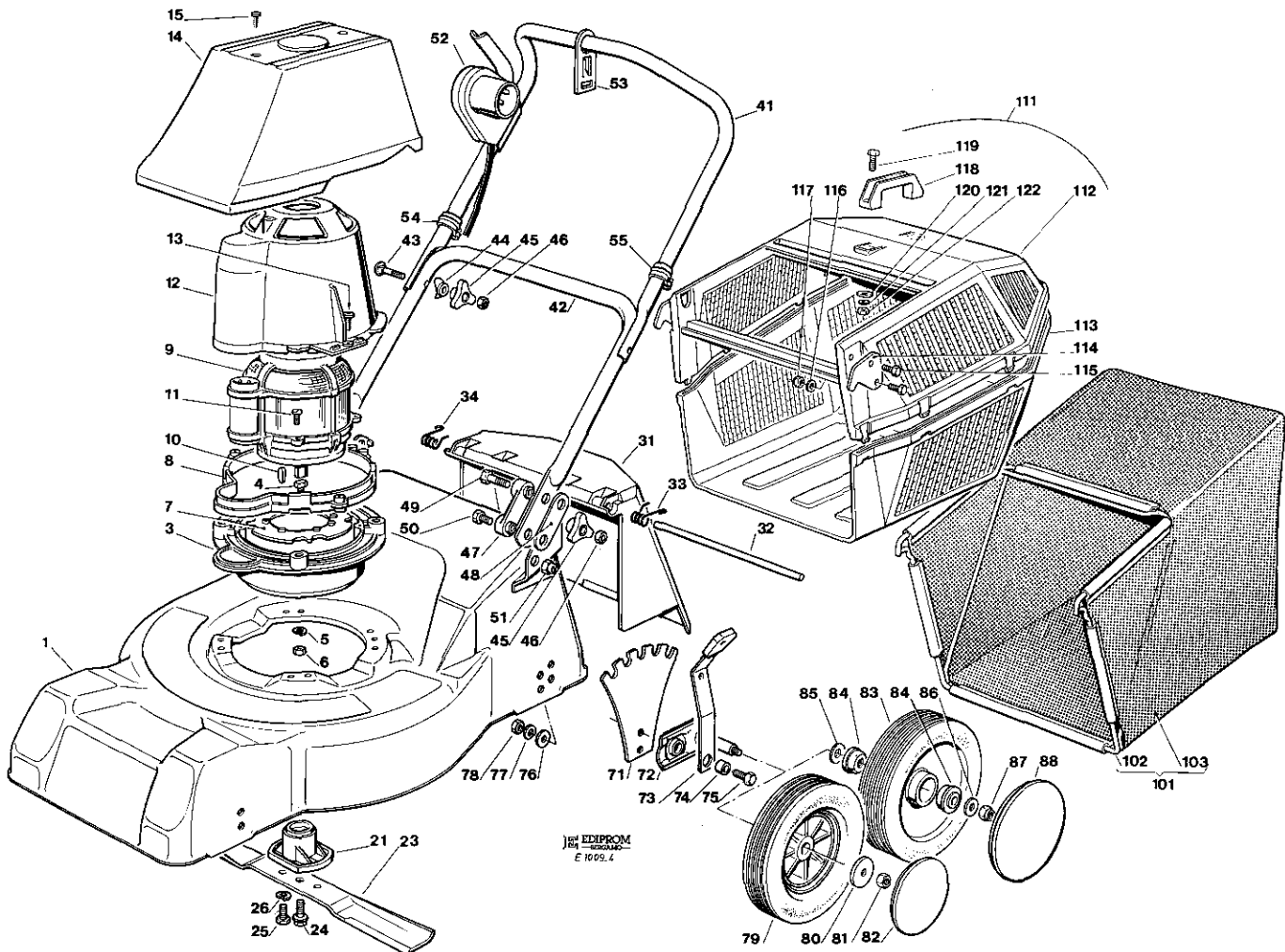


VISTE ESPLOSE
EXPLODED VIEWS

VUES ECLATEES
SPRENGZEICHNUNGEN

NG 410

Mod. 1994



Pos. Nr.	Codice Kodx Code	Descrizione	Description	Description	Beschreibung	Q.tà Q.ty Q.tè Menge
1	81001174/0	CHASSIS ROSSO	RED DECH	CHASSIS ROUGE	ROT GEHAUSE	1
3	22207211/2	FLANGIA	FLANGE	BRIDE	FLANSCH	1
4	12793700/0	VITE	SCREW	VIS	SCHRAUBE	4
5	12583500/0	GROWER	GROWER	GROWER	FEDERRING	4
6	12293200/0	DADO	NUT	ECROU	NUTTER	4
7	22720360/1	SCHERMO VENTILAZIONE	VENTILATION SCREEN	ECRAU VENTILATION	UFTUNGSSCHIRTM	1
8	22174006/1	DISTANZIALE	SPACER	ENTRETOISE	DISTANZIARING	1
9	18563007/0	MOTORE RST 900W (220V) C/F	RST MOTOR 900W (220V) W/B	MOTEUR RST 900W (220V) A/F	MOTOR RST 900W (220V) M/B	1
9-	18563002/0	MOTORE RST 1100W (220V) C/F	RST MOTOR 1100W (220V) W/B	MOTEUR RST 1100W (220V) A/F	MOTOR RST 1100W (220V) M/B	1
9-	18563026/0	MOTORE IBMEI 1100W (220V) S/F	IBMEI MOTOR 1100W (220V) W/B	MOTEUR IBMEI 1100W (220V) S/F	MOTOR IBMEI 1100W (220V) O/B	1
9-	18563036/0	MOTORE IBMEI 1100W (220V) C/F	IBMEI MOTOR 1100W (220V) W/B	MOTEUR IBMEI 1100W (220V) A/F	MOTOR IBMEI 1100W (220V) M/B	1
9-	18563042/0	MOTORE IBMEI 1100W (240V) C/F	IBMEI MOTOR 1100W (240V) W/B	MOTEUR IBMEI 1100W (240V) A/F	MOTOR IBMEI 1100W (240V) M/B	1
9A	18740049/0	VENTOLA PER MOTORE IBMEI	IBMEI ENGINE FAN	VENTILATEUR NOTEUR IBMEI	IBMEI LUFTER	1
9B	18398015/2	FLANGIA INF. IBMEI	LOWER FLANGE IBMEI	BRIDE INF. IBMEI	UNTER FLANSCH IBMEI	1
9C	18398025/3	FLANGIA SUP. IBMEI	UPPER FLANGE IBMEI	BRIDE SUP. IBMEI	OBER FLANSCH IBMEI	1
9D	18740051/0	VENTOLA PER MOTORE RST	RST ENGINE FAN	VENTILATEUR MOTEUR RST	RST LUFTER	1
9E	18222036/0	CONDENSATORE 12 µF	CONDENSER 12 µF	CONDENSEUR 12 µF	KONDENSATOR 12 µF	1
10	12139440/0	LINGUETTA	FEATHER	CLAVETTE	KEIL	1
11	12730000/0	VITE	SCREW	VIS	SCHRAUBE	4

Pos. Nr.	Codice Kodex Code	Descrizione	Description	Description	Beschreibung	Q. tà Q. ty Q. tè Menge
12	22785060/1	SUPPORTO CAPPOTTINA	COVER SUPPORT	SUPPORT CAPOT	HAUBEHALTER	1
13	12728710/0	VITE	SCREW	VIS	SCHRAUBE	4
14	81002056/0	ASS.CAPPOTTINA	COVER ASS'Y	ENS. CAPOT	KOMPLETTE HAUBE	1
15	12728680/0	VITE	SCREW	VIS	SCHRAUBE	2
21	22463186/1	MOZZO	HUB	MOYEU	HALTER	1
23	81004360/1	COLTELLO STANDARD	STANDARD BLADE	LAME STANDARD	STANDARD MESSER	1
23A	81004233/2	COLTELLO ALETTATO	WINGS BLADE	LAME À AILETTES	FLUEGEL MESSER	1
24	81004352/0	ASS. VITE	SCREW ASS'Y	ENS. VIS	ENS. SCHRAUBE	1
25	12793101/0	VITE	SCREW	VIS	SCHRAUBE	2
26	12583500/0	GROWER	GROWER	GROWER	FEDERRING	2
31	22600028/2	PARASASSI	STONE-GUARD	PARE-PIERRESE	PRALLBLECH	1
32	22517906/0	PERNO	PIN	PIVOT	BOLZEN	1
33	22450420/1	MOLLA SX	LEFT SPRING	RESSORT GAUCHE	LINK FEDER	1
34	22450410/1	MOLLA DX	RIGHT SPRING	RESSORT DROITE	RECHTE FEDER	1
41	81006933/1	PARTE SUP. MANICO	UPPER HANDLE	PARTIE SUP. MANCHERON	HOLMOBERTEIL	1
42	81006512/0	PARTE INF. MANICO	LOWER HANDLE	PARTIE INF. MANCHERON	HOLMUNTERTEIL	1
43	12819201/0	VITE	SCREW	VIS	SCHRAUBE	2
44	226800061/1	RONDELLA	WASHER	RONDELLE	SCHEIBE	2
45	22399900/0	MANOPOLINA	KNOB	POIGNÉE	GRIFT	4
46	12293200/0	DADO	NUT	ECROU	MUTTER	4
47	22551575/0	PIASTRINA INTERNA	INSIDE PLAQUE	PLAQUETTE INTERNE	ISOLIERPLATTE	2
48	22551574/0	PIASTRINA ESTERNA	OUTSIDE PLAQUE	PLAQUETTE EXTERNE	ISOLIERPLATTE	2
49	12793301/0	VITE	SCREW	VIS	SCHRAUBE	2
50	12691115/0	VITE	SCREW	VIS	SCHRAUBE	2
51	12155000/0	DADO	NUT	ECROU	MUTTER	2
52	18710560/0	SALVAM. M.M. C.E.E. 5.5 AMP (900W 220V)	DEAD HAND SWITCH C.E.E. 5.5, AMP (900W 220V)	INT. MAIN MORTE C.E.E. 5.5, AMP (900W 220V)	TOT MANSCHALTER C.E.E. 5,5 AMP (900W 220V)	1
52A	18710565/0	SALVAM. M.M. SEV 5.5 AMP (900W) SOLO PER SVIZZERA	DEAD HAND SWITCH SEV (900W) ONLY FOR SWITZERLAND	INT. MAIN MORTE SEV 5.5 AMP (900W) SEULEMENT PUR LA SUISSE	TOT MANSCHALTER SEV NUR FUER DIE SCHWEIZ (900W)	1
52B	18710561/0	SALVAM. M.M. C.E.E. 7 AMP (1100W - 220V/240V)	DEAD HAND SWITCH C.E.E. 7 AMP (1100W - 220V/240V)	INT. MAIN MORTE C.E.E. 7 AMP (1100W - 220V/240V)	TOT MANSCHALTER C.E.E. 7 AMP (1100W - 220V/240V)	1
52C	18710608/0	SALVAMOTORE SEV 7 AMP SOLO x SVIZZ. (1100W)	SWITCH SEV 7 AMP - ONLY FOR SWITZERLAND (1100W)	INT SEV 7 AMP - SEULMENT POUR LA SVISSE (1100W)	SCHALTER SEV NUR FUER DIE SCHWEIZ 1 AMP (1100W)	1
53	22195101/1	FERMACAVO	FAIR LEAD	FIXATION CABLE	KABELBEFESTIGUNG	1
54	22192000/1	FASCETTA ANCORAGGID	ANCHOR CLAMP	COLLIER ANCRAGE	BOWDENZUGHALTER	2
71	22735537/0	SETTORE REGOLAZIONE	ADJUSTERS SECTOR	SECTEUR REGLAGE	VERSTELLUNGSSSEKTOR	4
72	81005082/0	SUPPORTO RUOTA	WHEEL SUPPORT	SUPPORT ROUE	RADHALTER	4
73	81003273/0	LEVA REGOLAZIONE	ADJ. LEVER	LEVIER REGLAGE	VERSTELLUNGHEBEL	4
74	22171001/0	DISTANZIALE	SPACER	ENTRETOISE	DISTANZRING	4
75	12793701/0	VITE	SCREW	VIS	SCHRAUBE	4
76	12523070/0	RONDELLA	WASHER	RONDELLE	SCHEIBE	4
77	12583500/0	GROWER	GROWER	GROWER	FEDERRING	4
78	12293200/0	DADO	NUT	ECROU	MUTTER	4
79	81003027/0	RUOTA Ø170 NERA	BLACK Ø170 WHEEL	ROUE Ø170 NOIRE	SCHWARZE Ø170 RAD	4
80	12523060/0	RONDELLA	WASHER	RONDELLE	SCHEIBE	4
81	12293201/0	DADO	NUT	ECROU	MUTTER	4
82	22110272/0	CDPRIMOZZO BIANCO	WHITE HUBCAP	COUVRE-MOYEU BLANCHE	RADKAPPE WEISSE	4

VARIANTI RUOTE Ø170 SU CUSCINETTI

WHEELS VARIANTS Ø170 ON BALL BEARINGS

VARIANTES ROUES Ø170 SUR ROULEMENTS

ÄNDERUNGEN AUF RAEDER Ø170 MIT KUGGELAGER

83	81007311/0	RUOTA NERA	BLACK WHEEL	ROUE NOIRE	SCHWARZE RAD	4
84	22122200/0	CUSCINETTO	BEARING	ROULEMENT	KUEGELLAGER	8
85	12530150/0	RONDELLA ELASTICA	ELASTIC WASHER	RONDELLE ELASTIQUE	ELASTISCHE SCHEIBE	4
86	12521350/0	RONDELLA	WASHER	RONDELLE	SCHEIBE	4
87	12155000/0	DADO	NUT	SCROU	MUTTER	4
88	22110262/0	CDPRIMOZZO BIANCO	WHITE HUBCAP	COUVRE-MOYEU BLANCHE	RADKAPPE WEISSE	4

101	98004000/0	ASS. SACCO IN TELA	CANVASS GRASSCATCHER ASS'Y	ENSEMBLE SAC EN TOILE	KOMPLETTER SACK	1
102	81006408/0	TELAIO	CHASSIS	CHASSIS	RAHMEN	1
103	81002105/1	TELA SACCO	FABRIC BOX	TOILE POUR SAC	TUCK FUER SACK	1
111	98005000/0	SACCO COMPLETO	COMPLETE GRASS-BOX	BAC COMPLET	KOMPLETTER KORB	1
112	22486061/1	PARTE SUP. SACCO	UPPER GRASSBOX	PARTIE SUP. BAC	KORB OBERTEIL	1
113	22486060/0	PARTE INF. SACCO	LOWER GRASSBOX	PARTIE INF. BAC	KORB UNTERTEIL	1
114	22775170/1	SUPPORTO SACCO	SUPPORT FOR GRASSBOX	SUPPORT BAC	KORB HALTER	2
115	12789000/0	VITE	SCREW	VIS	SCHRAUBEN	4
116	12521540/0	RONDELLA	WASHER	RONDELLE	SCHEIBE	4
117	12154330/0	DADO	NUT	ECROU	MUTTER	4
118	22381900/0	MANIGLIA SACCO	GRASS CATCHER HANDLE	POIGNÉE BAC	KORBGRIFF	1
119	12791400/0	VITE	SCREW	VIS	SCHRAUBEN	2
120	12523040/0	RONDELLA	WASHER	RONDELLE	SCHEIBE	2
121	12582100/0	GROWER	GROWER	GROWER	FEDERRING	2
122	12292100/0	DADO	NUT	ECROU	MUTTER	2
—	81008577/0	DOTAZIONE SACCO	GRASS-BOX OUTFIT	DOTATION BAC	KORBAUSSTATTUNG	1
—	81008596/0	DOTAZIONE VITERIA	SCREWS OUTFIT	DOTATION VISSERIE	SCHRAUBEN SATZ	1