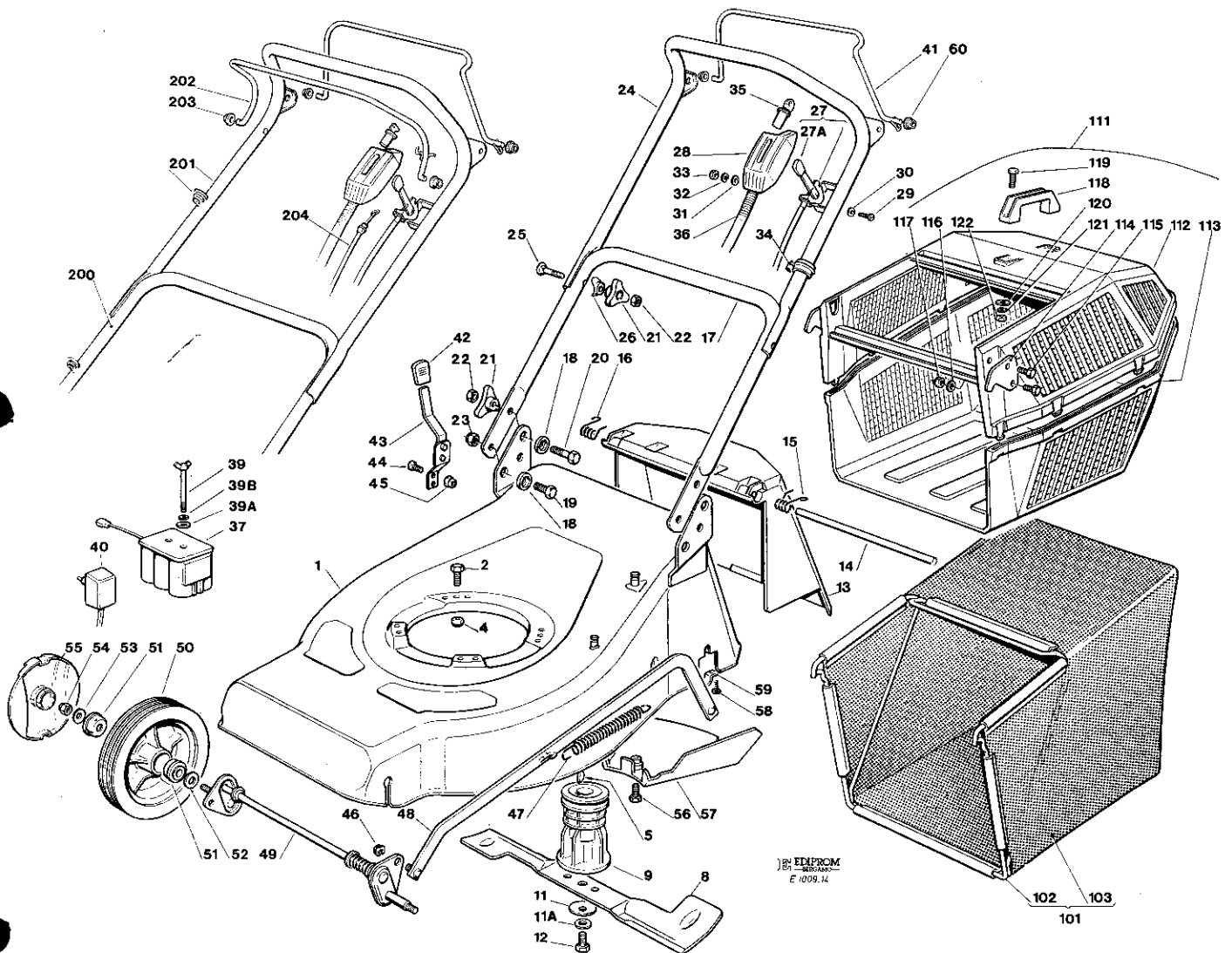


Mod. 1994



Pos. Nr.	Codice Kodex Code	Descrizione	Description	Description	Beschreibung	Q.tà Q.ty Q.tè Menge
1	81001012/0	CHASSIS GIALLO (CL 484 TR)	YELLOW DECK (CL 484 TR)	CHASSIS JOUNE (CL 484 TR)	GEHÄUSE GELB (CL 484 TR)	1
1A	81001014/0	CHASSIS GIALLO (CL 484 TR/ES)	YELLOW DECK (CL 484 TR/ES)	CHASSIS JOUNE (CL 484 TR/ES)	GEHÄUSE GELB (CL 484 TR/ES)	1
2	12793700/0	VITE (M8x30)	SCREW (M8x30)	VIS (M8x30)	SCHRAUBE (M8x30)	3/2
2A	12793900/0	VITE (M8x60)	SCREW (M8x60)	VIS (M8x60)	SCHRAUBE (M8x60)	0/1
4	12293201/0	DADO	NUT	ECROU	MUTTER	3/2
4A	12155000/0	DADO	NUT	ECROU	MUTTER	0/1
5	12139150/0	LINGUETTA (PP Ø 25)	KEY (PP Ø 25)	CLAVETTE (PP Ø 25)	KEIL (PP Ø 25)	1
5A	12139100/0	LINGUETTA (PP Ø 22)	KEY (PP Ø 22)	CLAVETTE (PP Ø 22)	KEIL (PP Ø 22)	1
8	81004397/0	COLTELLO ALETT 46 CM	WINGS BLADE 46 CM	LAME À AILETTES 46 CM	PLUEGEL MESSER 46 CM	1
8A	81004346/0	COLTELLO STANDARD 46 CM	STANDARD BLADE 46 CM	LAME STANDARD 46 CM	STANDARD MESSER 46 CM	1
9	22465607/0	MOZZO CON PULEGGIA (PP 62 Ø22)	HUB WITH PULLEY (PP 62 Ø22)	MOYEU AVEC POULIE (PP 62 Ø22)	NABE MIT SCHEIBE (PP 62 Ø22)	1
9A	22465608/0	MOZZO CON PULEGGIA (PP 62 Ø25)	HUB WITH PULLEY (PP 62 Ø25)	MOYEU AVEC POULIE (PP 62 Ø25)	NABE MIT SCHEIBE (PP 62 Ø25)	1

Pos. Nr.	Codice Kodex Code	Descrizione	Description	Description	Beschreibung	Q. tà Q. ty Q. tè Menge
11	22160400/0	DISCO ELASTICO	ELASTIC WASHER	RONDELLE ELASTIQUE	STIFT	1
11A	12523080/0	RONDELLA	WASHER	RONDELLE	SCHEIBE	1
12	12735698/0	VITE (P.P. 62)	SCREW (P.T.O. 62)	VIS (P.F. 62)	SCHRAUBE (MW 62)	1
13	22600028/2	PARASSASSI	STONE GUARD	PARE-PIERRES	PRALLBLECH	1
14	22517906/0	PERNO	PIN	PIVOT	BOLZEN	1
15	22450420/1	MOLLA SX	L. SPRING	RESSORT G.	L. FEDER	1
16	22450410/1	MOLLA DX	W. SPRING	RESSORT D.	R. FEDER	1
17	81006512/0	PARTE INF. MANICO	LOWER HANDLE	PARTIE INF. MANCHERON	UNTERHOLM	1
18	22041955/0	BUSSOLA	BUSH	DOUILLE	BÜCHSE	4
19	12792610/0	VITE	SCREW	VIS	SCHRAUBE	2
20	12793700/0	VITE	SCREW	VIS	SCHRAUBE	2
21	22399900/0	MANOPOLINA	KNOB	POIGNÉE	GRIFF	4
22	12293200/0	DADO	NUT	ECROU	MUTTER	4
23	12155000/0	DADO	NUT	ECROU	MUTTER	4
24	81006971/0	PARTE SUP. MANICO	UPPER HANDLE	PARTIE SUP. MANCHERON	OBERHOLM	2
25	12819201/0	VITE	SCREW	VIS	SCHRAUBE	2
26	22680006/1	RONDELLA	WASHER	GROWER	SCHEIBE	2
27	81007048/0	ASS. ACC. UNIVERSALE	THROTTLE	ENS. ACCELERATUER	UNIVERSSELL-GASZUG	1
27A	22394640/3	MANOPOLINA	KNOBP	POIGNÉE	GRIFF	1
28	22120142/0	CRUSCOTTO (TR)	DASH BOARD (TR)	CONSOLE (TR)	KONSOLE (TR)	1
28A	22120143/0	CRUSCOTTO (TR/ES)	BASH BOARD (TR/ES)	CONSOLE (TR/ES)	KONSOLE (TR/ES)	1
29	12791400/0	VITE	SCREW	VIS	SCHRAUBE	2
30	12521330/0	RONDELLA	WASHER	GROWER	SCHEIBE	2
31	12523040	RONDELLA	WASHER	GROWER	SCHEIBE	2
32	12582100/0	GROWER	GROWER	GROWER	MUTTER	2
33	12292100/0	DADO	NUT	ECROU	MUTTER	2
34	22192000/1	FASCETTA ANCORAGGIO	ANCHOR CLAMP	BANDE ANCRAGE	BOWDENZUGHALTER	2
35*	18450050/0	INTERUTTORE	SWITCH	INTERRUPTEUR	SCHALTER	1
36*	18204190/0	ASS. CABLAGGIO	CABLES ASS'Y	ENS. CABLACE	KABEL SATZ	1
37*	18120050/0	BATTERIA	BATTERY	BATTERIE	BATTERIE	1
39	22517855/0	PERNO	PIN	PIVOT	BOLZEN	2
39A	12523000/0	RONDELLA	WASHER	GROWER	SCHEIBE	2
39B	12540020/0	RONDELLA	WASHER	GROWER	SCHEIBE	2
40*	18204110/0	CARICA BATTERIA	BATTERY CHARGER	CHARGEUR DE BATTERIE	LADGERAET	1
41	81003288/0	LEVA TRAZIONE	DRIVING LEVER	LEVIER TRACTION	ANTRIEBHEBEL	1
42	22397000/0	MANOPOLA	KNOB	POIGNÉE	GRIFF	1
43	81003279/0	LEVA	LEVIER	LEVIER	HEBEL	1
44	12789000/0	VITE	SCREW	VIS	SCHRAUBE	2
45	12154330/0	DADO	NUT	ECROU	MUTTER	2
46	12436050/0	PIASTRINA	PLATE	PLAQUETTE	PLAETTCHEN	1
47	22446180/0	MOLLA	SPRING	RESSORT	FEDER	1
48	81001246/1	ASTA (CL 484 TR - TR/E)	ROD (CL 484 TR - TR/E)	TIGE (CL 484 TR - TR/E)	STANGE (CL 484 TR - TR/E)	1
49	81001250/0	ASSE RUOTE ANT.	FRONT WHEELS AXLE	AXE ROUE ANTERIEURE	VORDERRAEDER ACHSE	1
50	81007311/0	RUOTA Ø170 NERA	BLACK Ø170 WHEEL	ROUES Ø170 NOIRE	SCHWARZE Ø170 RAD	2
51	22122200/0	CUSCINETTO	BEARING	COUSSINET	KUGELLAGER	4
52	12530150/0	RONDELLA ELASTICA	SPRING WASHER	RONDELLE ELASTIQUE	ELASTISCHE SCHEIBE	2
53	12521350/0	RONDELLA	WASHER	RONDELLE	SCHEIBE	2
54	12155000/0	DADO	NUT	ECROU	MUTTER	2
55	22110254/0	COPRIMOZZO GIALLO	YELLOW HUB CAP	COUVRE-MOYEU JAUNE	GELBES RADKAPPE	2
56	12727791/0	VITE	SCREW	VIS	SCHRAUBE	1
57A	22060180/0	CARTER (CL 484)	DECK (CL 484)	CHASSIS (CL 484)	GEHÄUSE (CL 484)	1
58	12731350/0	VITE	SCREW	VIS	SCHRAUBE	4
59	22545152/0	PIASTRINA	PLATE	PLAQUETTE	PLATTE	2
60	22041965/0	BUSSOLA	BUSH	DOUILLE	BÜCHSE	2
101	98004000/0	ASS. SACCO IN TELA	CANVASS GRASSCATCHER ASS'Y	ENSEMBLE SAC EN TOILE	KOMPLETTER SACK	1
102	81006408/0	TELAIO	CHASSIS	CHASSIS	RAHMEN	1
103	81002105/1	TELA SACCO	FABRIC BOX	TOILE POUR SAC	TUCK FUER SACK	1
111	98005000/0	SACCO COMPLETO	COMPLETE GRASS-BOX	BAC COMPLET	KOMPLETTER KORB	1
112	22486061/1	PARTE SUP. SACCO	UPPER GRASSBOX	PARTIE SUP. BAC	KORB OBERTEIL	1
113	22486060/0	PARTE INF. SACCO	LOWER GRASSBOX	PARTIE INF. BAC	KORB UNTERTEIL	1
114	22775170/1	SUPPORTO SACCO	SUPPORT FOR GRASSBOX	SUPPORT BAC	KORB HALTER	2
115	12789000/0	VITE	SCREW	VIS	SCHRAUBEN	4
116	12521540/0	RONDELLA	WASHER	RONDELLE	SCHEIBE	4
117	12154330/0	DADO	NUT	ECROU	MUTTER	4
118	22381900/0	MANIGLIA SACCO	GRASS CATCHER HANDLE	POIGNÉE BAC	KORBGRIFF	1
119	12791400/0	VITE	SCREW	VIS	SCHRAUBEN	2
120	12523040/0	RONDELLA	WASHER	RONDELLE	SCHEIBE	2
121	12582100/0	GROWER	GROWER	GROWER	FEDERRING	2
122	12292100/0	DADO	NUT	ECROU	MUTTER	2
—	81008595/0	DOTAZIONE VITERIA (TR-TR/E)	SCREWS OUTFIT (TR-TR/E)	DOTATION VISSERIE (TR-TR/E)	SCHRAUBEN SATZ (TR-TR/E)	1
—	81008577/0	DOTAZIONE SACCO	GRASS-BOX OUTFIT	DOTATION BAC	KORBAUSSTATTUNG	1

**VARIANTI FRENO MOTORE
E AVVIAMENTO
SU MANICO**

200	81006514/0	PARTE INF. MANICO	LOWER HANDLE	PARTIE INF. MANCHERON	UNTERHOLM	1
201	81006969/0	PARTE SUP. MANICO	UPPER HANDLE	PARTIE SUP. MANCHERON	OBERHOLM	1
202	81003289/0	ASS. LEVA FRENO MOTORE	BRAKE LEVER ASS'Y	LEVIER FREIN MOTEUR	MOTORBREMSEHEBEL	1
203	22041966/0	BUSSOLA	BUSH	DOUILLE	BÜCHSE	2
204	81000621/0	ASS. CAVO FRENO MOTORE SPRINT 375	THREAD MOTOR BRAKE ASS'Y SPRINT 375	CABLE FREIN MOTEUR SPRINT 375	MOTORBREMSEKABEL SPRINT 375	1
204A	81001105/0	ASS. CAVO FRENO MOTORE QUANTUM XM	THREAD MOTOR BRAKE ASS'Y QUANTUM XM	CABLE FREIN MOTEUR QUANTUM XM	MOTORBREMSEKABEL QUANTUM XM	1
204B	81001107/0	ASS. CAVO FRENO MOTORE TECUMSEH	THREAD MOTOR BRAKE ASS'Y TECUMSEH	CABLE FREIN MOTEUR TECUMSEH	MOTORBREMSEKABEL TECUMSEH	1

**VARIANTS FOR ENGINE
BRAKE AND STARTING
ON HANDLE**

200	81006514/0	PARTE INF. MANICO	LOWER HANDLE	PARTIE INF. MANCHERON	UNTERHOLM	1
201	81006969/0	PARTE SUP. MANICO	UPPER HANDLE	PARTIE SUP. MANCHERON	OBERHOLM	1
202	81003289/0	ASS. LEVA FRENO MOTORE	BRAKE LEVER ASS'Y	LEVIER FREIN MOTEUR	MOTORBREMSEHEBEL	1
203	22041966/0	BUSSOLA	BUSH	DOUILLE	BÜCHSE	2
204	81000621/0	ASS. CAVO FRENO MOTORE SPRINT 375	THREAD MOTOR BRAKE ASS'Y SPRINT 375	CABLE FREIN MOTEUR SPRINT 375	MOTORBREMSEKABEL SPRINT 375	1
204A	81001105/0	ASS. CAVO FRENO MOTORE QUANTUM XM	THREAD MOTOR BRAKE ASS'Y QUANTUM XM	CABLE FREIN MOTEUR QUANTUM XM	MOTORBREMSEKABEL QUANTUM XM	1
204B	81001107/0	ASS. CAVO FRENO MOTORE TECUMSEH	THREAD MOTOR BRAKE ASS'Y TECUMSEH	CABLE FREIN MOTEUR TECUMSEH	MOTORBREMSEKABEL TECUMSEH	1

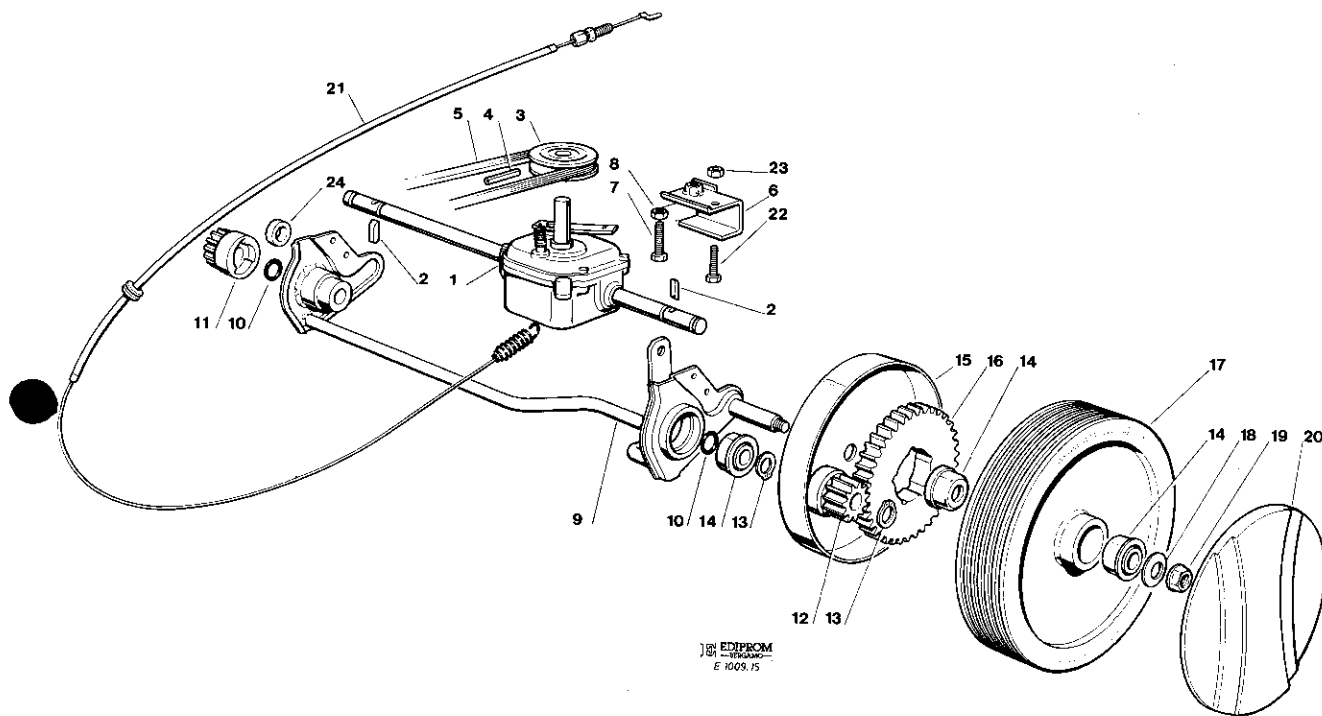
**VARIATIONS POUR FREIN-
MOTEUR ET OÉMARRAGE
SUR MANCHERON**

200	81006514/0	PARTE INF. MANICO	LOWER HANDLE	PARTIE INF. MANCHERON	UNTERHOLM	1
201	81006969/0	PARTE SUP. MANICO	UPPER HANDLE	PARTIE SUP. MANCHERON	OBERHOLM	1
202	81003289/0	ASS. LEVA FRENO MOTORE	BRAKE LEVER ASS'Y	LEVIER FREIN MOTEUR	MOTORBREMSEHEBEL	1
203	22041966/0	BUSSOLA	BUSH	DOUILLE	BÜCHSE	2
204	81000621/0	ASS. CAVO FRENO MOTORE SPRINT 375	THREAD MOTOR BRAKE ASS'Y SPRINT 375	CABLE FREIN MOTEUR SPRINT 375	MOTORBREMSEKABEL SPRINT 375	1
204A	81001105/0	ASS. CAVO FRENO MOTORE QUANTUM XM	THREAD MOTOR BRAKE ASS'Y QUANTUM XM	CABLE FREIN MOTEUR QUANTUM XM	MOTORBREMSEKABEL QUANTUM XM	1
204B	81001107/0	ASS. CAVO FRENO MOTORE TECUMSEH	THREAD MOTOR BRAKE ASS'Y TECUMSEH	CABLE FREIN MOTEUR TECUMSEH	MOTORBREMSEKABEL TECUMSEH	1

**ÄNDERUNGEN FÜR
MOTORBREMSE UND
ANLASSEN AUF HOLM**

200	81006514/0	PARTE INF. MANICO	LOWER HANDLE	PARTIE INF. MANCHERON	UNTERHOLM	1
201	81006969/0	PARTE SUP. MANICO	UPPER HANDLE	PARTIE SUP. MANCHERON	OBERHOLM	1
202	81003289/0	ASS. LEVA FRENO MOTORE	BRAKE LEVER ASS'Y	LEVIER FREIN MOTEUR	MOTORBREMSEHEBEL	1
203	22041966/0	BUSSOLA	BUSH	DOUILLE	BÜCHSE	2
204	81000621/0	ASS. CAVO FRENO MOTORE SPRINT 375	THREAD MOTOR BRAKE ASS'Y SPRINT 375	CABLE FREIN MOTEUR SPRINT 375	MOTORBREMSEKABEL SPRINT 375	1
204A	81001105/0	ASS. CAVO FRENO MOTORE QUANTUM XM	THREAD MOTOR BRAKE ASS'Y QUANTUM XM	CABLE FREIN MOTEUR QUANTUM XM	MOTORBREMSEKABEL QUANTUM XM	1
204B	81001107/0	ASS. CAVO FRENO MOTORE TECUMSEH	THREAD MOTOR BRAKE ASS'Y TECUMSEH	CABLE FREIN MOTEUR TECUMSEH	MOTORBREMSEKABEL TECUMSEH	1

DOVENDO SOSTITUIRE IN GARANZIA LE PARTI CONTRASSEGNAE CON «*» RIVOLGERSI AL COSTRUTTORE DEL MOTORE.
IF YOU HAVE TO CHANGE THE PIECES INDICATED WITH «*» ON WARRANTY YOU ADDRESS TO AFTER SALES SERVICE OF ENGINE MANUFACTURER.
SI VOUS DEVEZ SUBSTITUER LES PIÈCES INDIQUÉES AVEC «*» SONS GARANTIE VOUS DEVEZ VOUS ADRESSER AU SERVICE APRÈS VENTES DE LA MAISON CON-
STRUCTRICE DU MOTEUR.
BITTE WENDEN SIE SICH BEI GARANTIEREPARATUREN DER MIT «*» GEKENNZEICHNETEN TEILE AN DIE KUNDENDIENSTSTELLE DES MOTORHERSTELLER.



Pos. Nr.	Codice Kodex Code	Descrizione	Description	Description	Beschreibung	Q.tà Q.ty Q.té Menge
1	18652002/0	GRUPPO TRAZIONE (PLASTICA)	REAR DRIVE (PLASTIC)	GROUPE TRACTION (PLASTIQUE)	RIEMEN (KUNSTOSTOFF)	1
1A	18652012/0	GRUPPO TRAZIONE (ALLUMINIO7)	REAR DRIVE (ALUMINIUM)	GROUPE TRACTION (ALUMINIUM)	RIEMEN (ALUMINIUM)	1
2	22328600/1	LINGUETTA DI TRASCINAMENTO	DRIVING KEY	CLAVETTE	MITNEHMERLAPPEN	2
3	22601904/0	PULEGGIA 4 KM/H	PULLEY 4 KM/H	POULIE 4 KM/H	RIEMENSCHLEIBE 4 KM/H	1
4	12645705/0	SPINA	PIN	GOUPILLE	STIFT	1
5	35063800/0	CINGHIA (Z 27)	BELT (Z 27)	COURROIE (Z 27)	RIEMEN (Z 27)	1
6	81005104/0	SUPPORTO TRAZIONE	SUPPORT	SUPPORT	ANTRIEBHALTER	1
7	12793700/0	VITE	SCREW	VIS	SCHRAUBE	1
8	12523060/0	RONDELLA	WASHER	ECROU	SCHEIBE	1
9	81001252/1	ASSE RUOTE POST.	REAR WHEELS AXLE	AXE ROUES ARR.	HINTERRAEDER ACHSE	1
10	12019900/0	ANELLO OR	OR RING	BAGUE OR	RING	2
11	22570110/0	PIGNONE DX	RIGHT PINION	PIGNON DROITE	L. RITZEL	1
12	22570120/0	PIGNONE SX	LEFT PINION	PIGNON GAUCHE	R. RITZEL	1
13	12608600/0	SEEGER	SEEGER	SEEGER	SEEGER	4
14	22122200/0	CUSCINETTO	BEARING	ROULEMENT	KUEGELLAGER	6
15	81006846/0	PROTEZIONE RUOTE	WHEEL GUARD	PROTECTION ROUE	RAEDERSCHUTZ	2
16	22120105/1	CORONA	RING GEAR	COURONNE	KRANZ	2
17	81007313/0	RUOTA Ø210 NERA	BLACK Ø210 WHEEL	ROUES Ø210 NOIRE	SCHWARZE Ø210 RAD	2
18	12369500/0	RONDELLA	WASHER	RONDELLE	SCHEIBE	2
19	12155000/0	DADO	NUT	ECROU	MUTTER	2
20	22110253/0	COPRIMOZZO	HUB COVER	COUVRE MOYEU	RADKAPPE	2
21	81001140/0	ASS. COMANDO TRAZIONE	REAR DRIVE UNIT	ENS. GROUPE TRACTION	ANTRIEB	1
22	12689515/0	VITE	SCREW	VIS	SCHRAUBE	1
23	12154500/0	DADO	NUT	ECROU	MUTTER	1
24	22170800/0	DISTANZIALE	SPACER	ENTRETOISE	DISTANZRING	1