

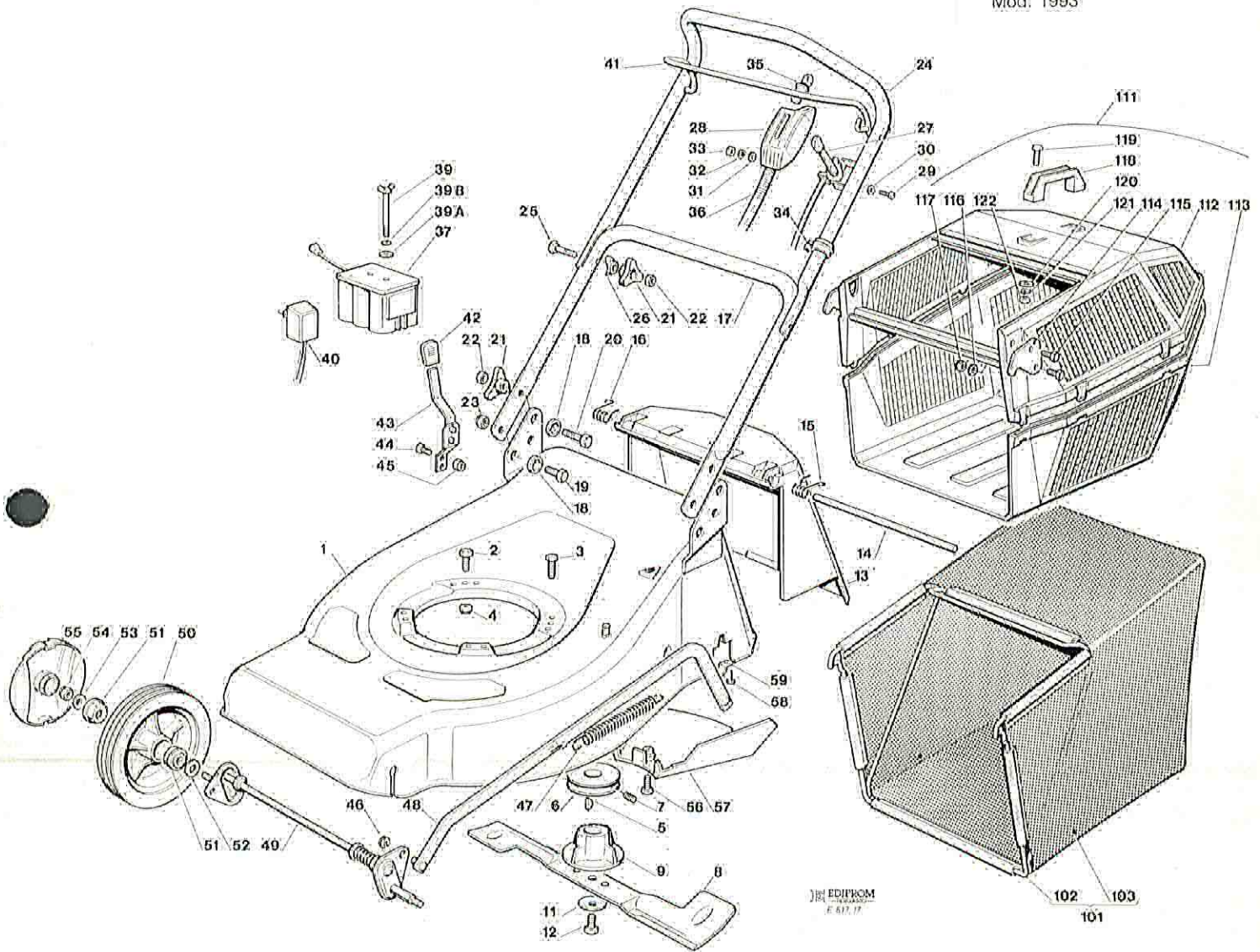


Le Club®

VISTE ESPLOSE
EXPLODED VIEWS
VUES ECLATEES
SPRENGZEICHNUNGEN

CL 484 TR
CL 484 TR-E 001

Mod. 1993



EDIPROM
E 817.17

Pos. Nr.	Codice Kodex Code	Descrizione	Description	Description	Beschreibung	Q.tà Q.ty Q.té Menge
1	81001012/0	CHASSIS GIALLO (CL 484 TR)	YELLOW DECK (CL 484 TR)	CHASSIS JOUNE (CL 484 TR)	GEHÄUSE GELB (CL 484 TR)	1
1A	81001014/0	CHASSIS GIALLO (CL 484 TR/ES)	YELLOW DECK (CL 484 TR/ES)	CHASSIS JOUNE (CL 484 TR/ES)	GEHÄUSE GELB (CL 484 TR/ES)	1
2	12793700/0	VITE M8x40	SCREW M8x30	VIS M8x30	SCHRAUBE M8x30	3/2
3	12691800/0	VITE M8x60 (CL 484 TR)	SCREW M8x60 (CL 484 TR)	VIS M8x60 (CL 484 TR)	SCHRAUBE M8x60 (CL 484 TR)	1
4	12293201/0	DADO	NUT	ECROU	MUTTER	3
5	12139150/0	LINGUETTA	KEY	CLAVETTE	KEIL	1
6	22601903/0	PULEGGIA (∅ 25 - 4 KM/H)	PULLEY (∅ 25 - 4 KM/H)	POULIE (∅ 25 - 4 KM/H)	RIEMENSCHLEIBE (∅ 25 - 4 KM/H)	1
6A	22601906/0	PULEGGIA (∅ 22 - 4 KM/H)	PULLEY (∅ 22 - 4 KM/H)	POULIE (∅ 22 - 4 KM/H)	RIEMENSCHLEIBE (∅ 22 - 4 KM/H)	1
7	12713801/0	GRANO PER PULEGGIA CON LINGUETTA	DOWEL FOR PULLEY WITH FEATHER	VIS POUR POULIE AVEC CLAVETTE	STIFT FUER RIEMENSCHLEIBE MIT KEIL	1
7A	12714302/0	GRANO PER PULEGGIA SENZA LINGUETTA	DOWEL FOR PULLEY WITHOUT FEATHER	VIS POUR POULIE SANS CLAVETTE	STIFT FUER RIEMENSCHLEIBE OHNE KEIL	1
8	81004397/0	COLTELLO ALETT. 46 CM	WINGS BLADE 46 CM	LAME À AILETTES 46 CM	PLUEGEL MESSER 46 CM	1
8A	81004346/0	COLTELLO STANDARD 46 CM	STANDARD BLADE 46 CM	LAME STANDARD 46 CM	STANDARD MESSER 46 CM	1
9	22463012/1	MOZZO (PP 62 ∅22,5)	HUB (P.T.O. 62 ∅22,5)	MOYEU (P.F. 62 ∅22,5)	HÄLTER (MW 62 ∅22,5)	1
9	22463020/0	MOZZO (PP 62 ∅25)	HUB (P.T.O. 62 ∅25)	MOYEU (P.F. 62 ∅25)	HÄLTER (MW 62 ∅25)	1



CASTEL GARDEN EQUIPMENT SPA

I - 31033 CASTELFRANCO VENETO - ITALY
TF (0423) 493161 - TX 433359 GARDEN ITALY
FAX (0423) 498404

CN 71503073/0

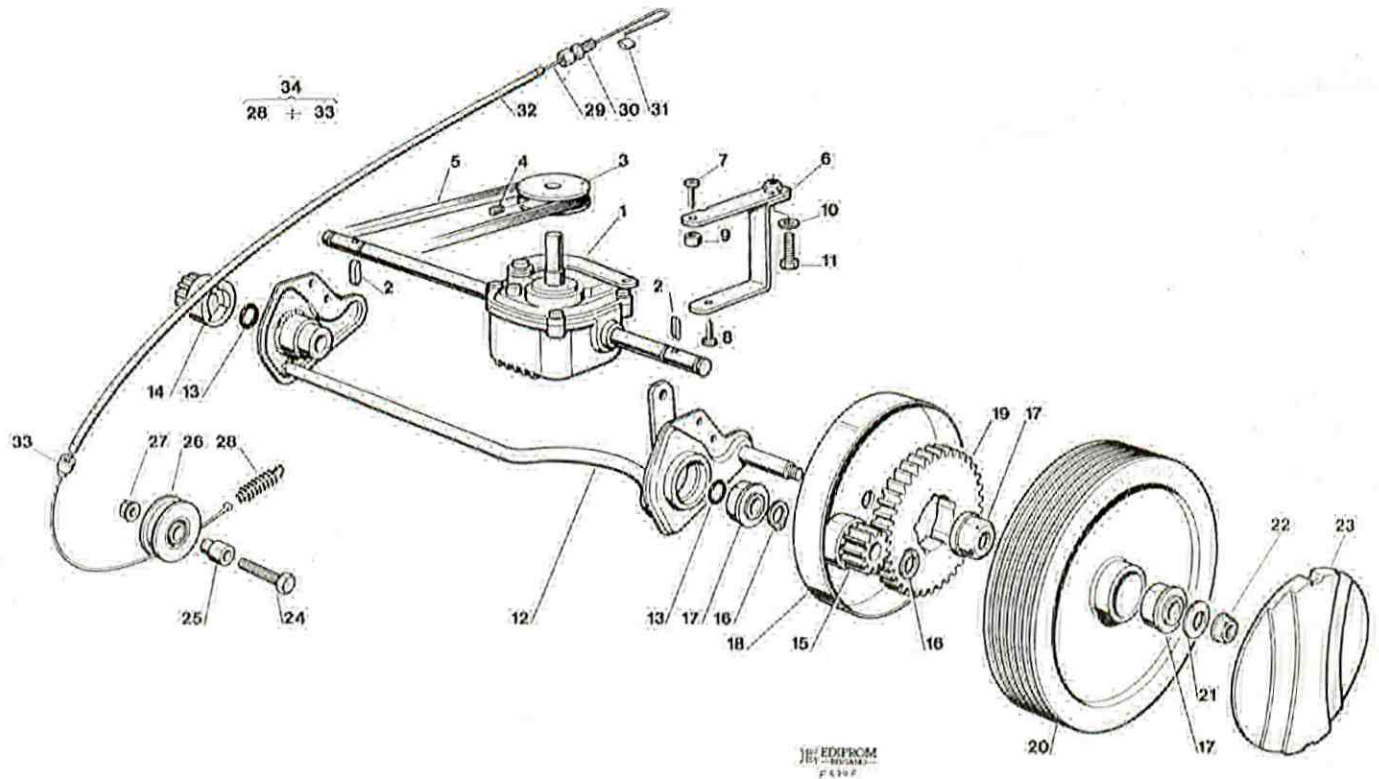
Printed in Italy by TYP/O



Le Club®

VISTE ESPLOSE
EXPLODED VIEWS
VUES ECLATEES
SPRENGZEICHNUNGEN

CL 484 TR
CL 484 TR-E 002



Pos. Nr.	Codice Kodex Code	Descrizione	Description	Description	Beschreibung	Q.tà Q.ty Q.té Mengo
1	18652020/0	GRUPPO TRAZIONE	REAR DRIVE UNIT	GROUPE TRACTION	RIEMEN	1
2	22328600/1	LINGUETTA DI TRASCINAMENTO	DRIVING KEY	CLAVETTE	MITNEHMERLAPPEN	2
3	22601901/0	PULEGGIA 4 KM/H	PULLEY 4 KM/H	POULIE 4 KM/H	RIEMENSCHLEIBE 4 KM/H	1
4	12714302/0	GRANO	DOWEL	VIS SANS TETE	STIFT	1
5A	35063800/0	CINGHIA (Z 27)	BELT (Z 27)	COURROIE (Z 27)	RIEMEN (Z 27)	1
6	81000959	SUPPORTO TRAZIONE	SUPPORT	SUPPORT	ANTRIEBHALTER	1
7	12728505/0	VITE	SCREW	VIS	SCHRAUBE	1
8	12728630/0	VITE	SCREW	VIS	SCHRAUBE	1
9	22170600/0	DISTANZIALE	SPACER	ENTRETOISE	ENTFERNUNGSSTK	1
10	12523060/0	RONDELLA	WASHER	ECROU	SCHLEIBE	1
11	12793850/0	VITE	SCREW	VIS	SCHRAUBE	1
12	81001252/1	ASSE RUOTE POST.	REAR WHEELS AXLE	AXE ROUES ARR.	HINTERRAEDER ACHSE	1
13	12019900/0	ANELLO OR	OR RING	BAGUE OR	RING	2
14	22570110/0	PIGNONE DX	RIGHT PINION	PIGNON DROITE	L. RITZEL	1
15	22570120/0	PIGNONE SX	LEFT PINION	PIGNON GAUCHE	R. RITZEL	1
16	12608600/0	SEEGER	SEEGER	SEEGER	SEEGER	4
17	22122200/0	CUSCINETTO	BEARING	ROULEMENT	KUEGELLAGER	6
18	81006846/0	PROTEZIONE RUOTE	WHEEL GUARD	PROTECTION ROUE	RAEDERSCHUTZ	2
19	22120105/1	CORONA	RING GEAR	COURONNE	KRANZ	2
20	81007313/0	RUOTA Ø210 NERA	BLACK Ø210 WHEEL	ROUES Ø210 NOIRE	SCHWARZE Ø120 RAD	2
21	12369500/0	RONDELLA	WASHER	RONDELLE	SCHLEIBE	2
22	12155000/0	DADO	NUT	ECROU	MUTTER	2
23	22110253/0	COPRIMOZZO GIALLO	YELLOW COVER	COUVRE MOYEU JAUNE	GELBES RADKAPPE	2
24	12691100/0	VITE	SCREW	VIS	SCHRAUBE	1
25	22170920/0	DISTANZIALE	SPACER	ENTRETOISE	ENTFERNUNGSSTK.	1
26	81003375/0	ASS. RUOTINO	ROLLER UNIT	ENS. ROULEMENT	KUEGELLAGER	1
27	12293201/0	DADO	NUT	ECROU	MUTTER	1
28	22450800/0	MOLLA	SPRING	RESSORT	FEDER	1
29	22206041/1	FILO BOWDEN	BOWDEN WIRE	FIL BOWDEN	BOWDEN KABEL	1
30	22604052/0	REGISTRO	ADJUSTER	ECROU REGISTRE	SCHRAUBENMUTTER	1
31	15407030/0	FASCETTA	CLIP	BANDE	KABELBAND	1
32	22265320/0	GUAINA BOWDEN	BOWDEN SHEAT	GAINE BOWDEN	BOWDENKABEL ABDECKUNG	1
33	13120101/0	BUSSOLA	BUSH	DOUILLE	MUELSE	1
34	81001083/0	ASS. COMANDO TRAZIONE	REAR DRIVE UNIT	ENS. GROUPE TRACTION	ANTRIEB	1