

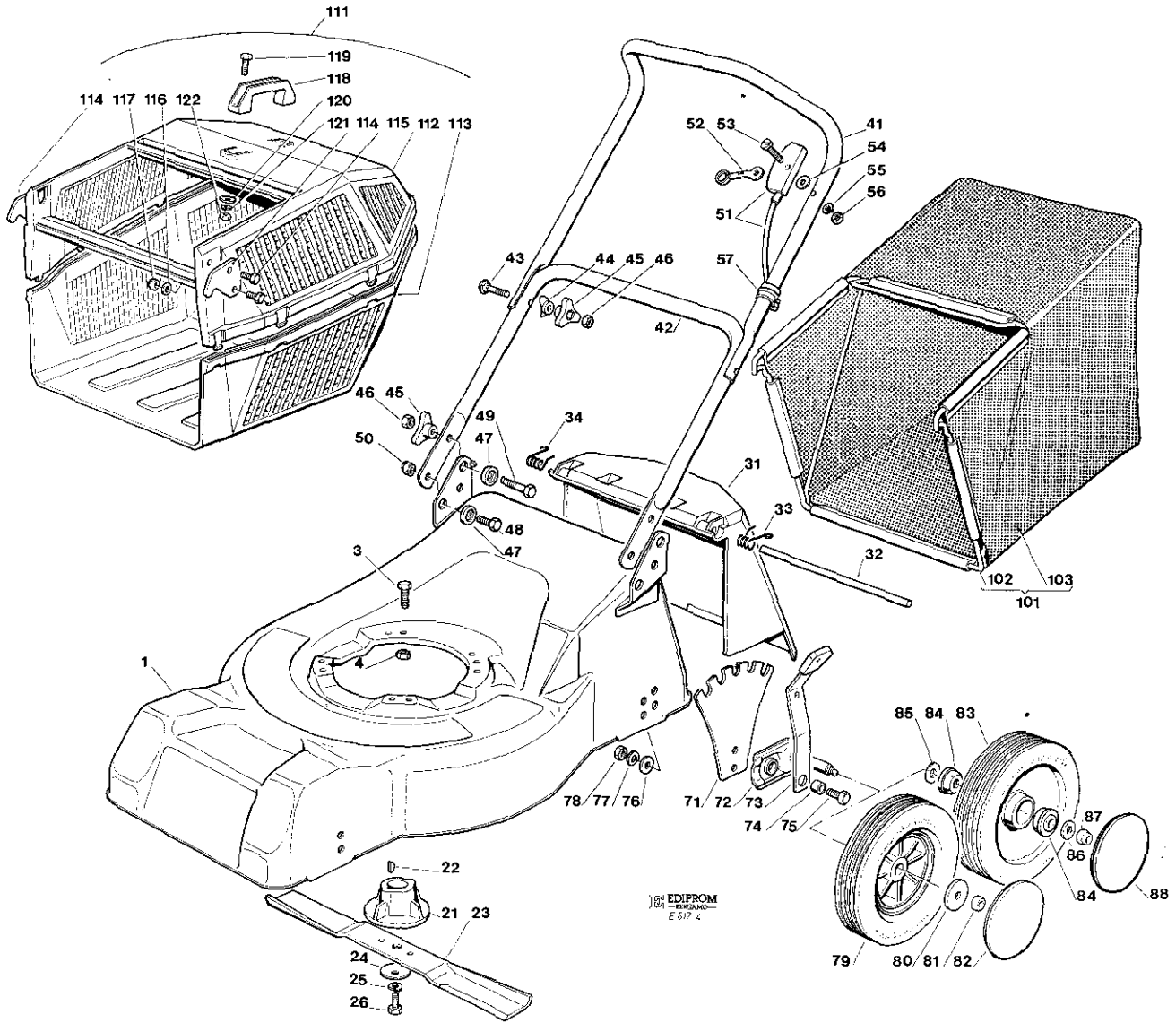


NEW
Garda®

VISTE ESPLOSE
EXPLODED VIEWS
VUES ECLATEES
SPRENGZEICHNUNGEN

NG 464

Mod. 1993



Pos. Nr.	Codice Kodx Code	Descrizione	Description	Description	Beschreibung	Q.tà Q.ty Q.tè Menge
1	81001175/0	CHASSIS ROSSO	RED DECK	CHASSIS ROUGE	ROUTE GEHAUSE	1
3	12793700/0	VITE	SCREW	VIS	SCHRAUBE	3
4	12293201/0	DADO	NUT	EC ROU	MUTTER	3
21	22463012/1	MOZZO (PP 62 Ø22)	HUB (P.T.O. 62 Ø22)	MOYEU (P.F. 62 Ø22)	HALTER (M.W. 62 Ø22)	1
21A	22463020/0	MOZZO (PP 62 Ø25)	HUB (P.T.O. 62 Ø25)	MOYEU (P.F. 80 Ø25)	HALTER (M.W. 62 Ø25)	1
22	12139100/0	LINGUETTA (PP Ø22)	FEATHER (P.T.O. Ø22)	CLAVETTE (P.F. Ø22)	KEIL (M.W. Ø22)	1
22A	12139150/0	LINGUETTA (PP Ø25)	FEATHER (P.T.O. Ø25)	CLAVETTE (P.F. Ø25)	KEIL (M.W. Ø25)	1
23	81004365/1	COLTELLO STANDARD	STANDARD BLADE	LAME STANDARD	STANDARD MESSER	1
23A	81004232/2	COLTELLO ALETTATO	WINGS BLADE	LAME À AILETTES	FLUEGEL MESSER	1
24	22160400/0	DISCO ELASTICO	ELASTIC WASHER	RONDELLE ELASTIQUE	ELASTISCHE SCHEIBE	1
25	12523080/0	RONDELLA	WASHER	RONDELLE	SCHEIBE	1
26	12735698/0	VITE (PP 62)	SCREW (P.T.O. 62)	VIS (P.F. 62)	SCHRAUBE (M.W. 62)	1



CASTEL GARDEN EQUIPMENT spa

I - 31033 CASTELFRANCO VENETO - ITALY
TF (0423) 493161 - TX 433359 GARDEN ITALY
FAX (0423) 498404

CN 71503062/0
Printed in Italy by TYP'0

Pos. Nr.	Codice Kodx Code	Descrizione	Description	Description	Beschreibung	Q.tà Q.ty Q.té Menge
31	22600028/0	PARASASSI	STONE GUARD	PARE-PIERRES	PRALLBLECH	1
32	22517906/0	PERNO	PIN	PIVOT	BOLZEN	1
33	22450420/0	MOLLA SX.	L. SPRING	RESSORT GAUCHE	L. FEDER	1
34	22450410/0	MOLLA DX.	R. SPRING	RESSORT DROITE	R. FEDER	1
41	81006904/0	PARTE SUP. MANICO	UPPER HANDLE	PARTIE SUP. MANCHERON	OBERHOLM	1
42	81006512/0	PARTE INF. MANICO	LOWER HANDLE	PARTIE INF. MANCHERON	UNTERHOLT	1
43	12819201/0	VITE	SCREW	VIS	SCHRAUBE	2
44	22680006/1	RONDELLA	WASHER	RONDELLE	SCHLEIBE	2
45	22399900/0	MANOPOLINA	HANDGRIP	POIGNEE	GRIF	4
46	12293200/0	DADO	NUT	ECROU	MUTTER	4
47	22041955/0	BUSSOLA	BUSH	DOUILLE	HUELSE	4
48	12792610/0	VITE	SCREW	VIS	SCHRAUBE	2
49	12793700/0	VITE	SCREW	VIS	SCHRAUBE	2
50	12155000/0	DADO	NUT	ECROU	MUTTER	4
51	81007041/0	ASS.ACC.ECON.UNIV.SX.	ACCELERATOR UNIT LEFT	ACCELER.UNIVERS.	DROITE BILLIGER-LINK. BESCHLEUNINGER	1
51A	81007042/0	ASS.ACC.ECON.UNIV.DX.	ACCELERATOR UNIT RIGHT	ACCEL. UNIVERS GAUCHE	BILLIGER-RECHT. BESCHLEUNIGER	1
52	81007250/0	ASS. LEVA	LEVER UNIT	ENS. LEVIER	KOMPLETTE HEBEL	1
53	12903020/0	VITE	SCREW	VIS	SCHLEIBE	1
54	12523040/0	RONDELLA	WASHER	VIS	SCHLEIBE	1
54A	12369500/0	DISCO ELASTICO	ELASTIC WASHER	RONDELLE ELASTIQUE	ELASTIQUE SCHEIBE	1
55	12582100/0	GROWER	GROWER	GROWER	FEDERRING	1
56	12292100/0	DADO	NUT	ECROW	MUTTER	1
57	22192000/1	FASCETTA ANCORAGGIO	ANCHOR CLAMP	BANDE ANCRAGE	BOWDENZUCHALTER	1
71	22735530/0	SETTORE DI REGOLAZIONE	ADJ UNIT	SECTEUR REGLAGE	VERSTELLUNG SEKTOR	4
72	81005082/0	SUPPORTO RUOTA	WHEEL SUPPORT	SUPPORT ROUE	RADHALTER	4
73	81003273/0	LEVA REGOLAZIONE	SCREW	VIS	SCHRAUBE	4
74	22170900/0	DISTANZIALE	SPACER	ENTRETOISE	DISTANZRING	4
75	12942000/0	VITE	SCREW	VIS	SCHRAUBE	4
76	12523080/0	RONDELLA	WASHER	GROWER	FEDERRING	4
77	12585100/0	GROWER	GROWER	GROWER	MUTTER	4
78	12295200/0	DADO	NUT	ECROU	MUTTER	4
79	81003027/0	RUOTA Ø170 NERA	BLACK Ø170 WHEEL	ROUE Ø170 NOIRE	SCHWARZE Ø170 RAD	4
80	12523060/0	RONDELLA	WASHER	RONDELLE	SCHLEIBE	4
81	12293201/0	DADO	NUT	ECROU	MUTTER	4
82	22110272/0	COPRIMOZZO BIANCO	WHITE HUBCAP	COUVRE-MOYEU BLANCHE	RADKAPPE WEIB	4

**VARIANTI RUOTE Ø170
SU CUSCINETTI**

**WHEELS VARIANTS Ø170
ON BALL BEARINGS**

**VARIANTES ROUES Ø170
SUR ROULEMENT**

**AENDERUNGEN AUF RAEDER
Ø170 MIT KUGELLAGER**

83	81007311/0	RUOTA NERA	BLACK WHEEL	ROUE NOIRE	SCHWARZE RAD	4
84	22122200/0	CUSCINETTO	BEARING	ROULEMENT	KUGELLAGER	8
85	12530150/0	RONDELLA ELASTICA	ELASTIC WASHER	RONDELLE ELASTIQUE	ELASTISCHE SCHEIBE	4
86	12521350/0	RONDELLA	WASHER	RONDELLE	SCHLEIBE	4
87	12155000/0	DADO	NUT	SCROU	MUTTER	4
88	22110262/0	COPRIMOZZO BIANCO	WHITE HUBCAP	COUVRE-MOYEU BLANCHE	RADKAPPE WEIB	4

101	98004000/0	ASS. SACCO IN TELA	CANVASS GRASSCATCHER ASS'Y	ENSEMBLE SAC EN TOILE	KDMPLETTER SACK	1
102	81006408/0	TELAIO	CHASSIS	CHASSIS	RAHMEN	1
103	81002105/0	TELA SACCO	FABRIC BOX	TOILE POUR SAC	TUCK FUER SACK	1
111	98005000/0	SACCO COMPLETO	COMPLETE GRASS-BOX	BAC COMPLET	KOMPLETTER KORB	1
112	22486061/1	PARTE SUP. SACCO	UPPER GRASSBOX	PARTIE SUP. BAC	KORB OBERTEIL	1
113	22486060/0	PARTE INF. SACCO	LOWER GRASSBOX	PARTIE INF. BAC	KORB UNTERTEIL	1
114	22775170/1	SUPPORTO SACCO	SUPPORT FOR GRASSBOX	SUPPORT BAC	KORB HALTER	2
115	12789000/0	VITE	SCREW	VIS	SCHRAUBEN	4
116	12521540/0	RONDELLA	WASHER	RONDELLE	SCHLEIBE	4
117	12154330/0	DADO	NUT	ECROU	MUTTER	4
118	22381900/0	MANIGLIA SACCO	GRASS CATCHER HANDLE	POIGNEE BAC	KORBGRIFF	1
119	12791400/0	VITE	SCREW	VIS	SCHRAUBEN	2
120	12523040/0	RONDELLA	WASHER	RONDELLE	SCHLEIBE	2
121	12582100/0	GROWER	GROWER	GROWER	FEDERRING	2
122	12292100/0	DADO	NUT	ECROU	MUTTER	2
—	81008577/0	DOTAZIONE SACCO	GRASS-BOX OUTFIT	DOTATION BAC	KORBBAUSSTATTUNG	1
—	81008581/0	DOTAZIONE VITERIA	SCREWS OUTFIT	DOTATION VISSERIE	SCHRAUBEN SATZ	1