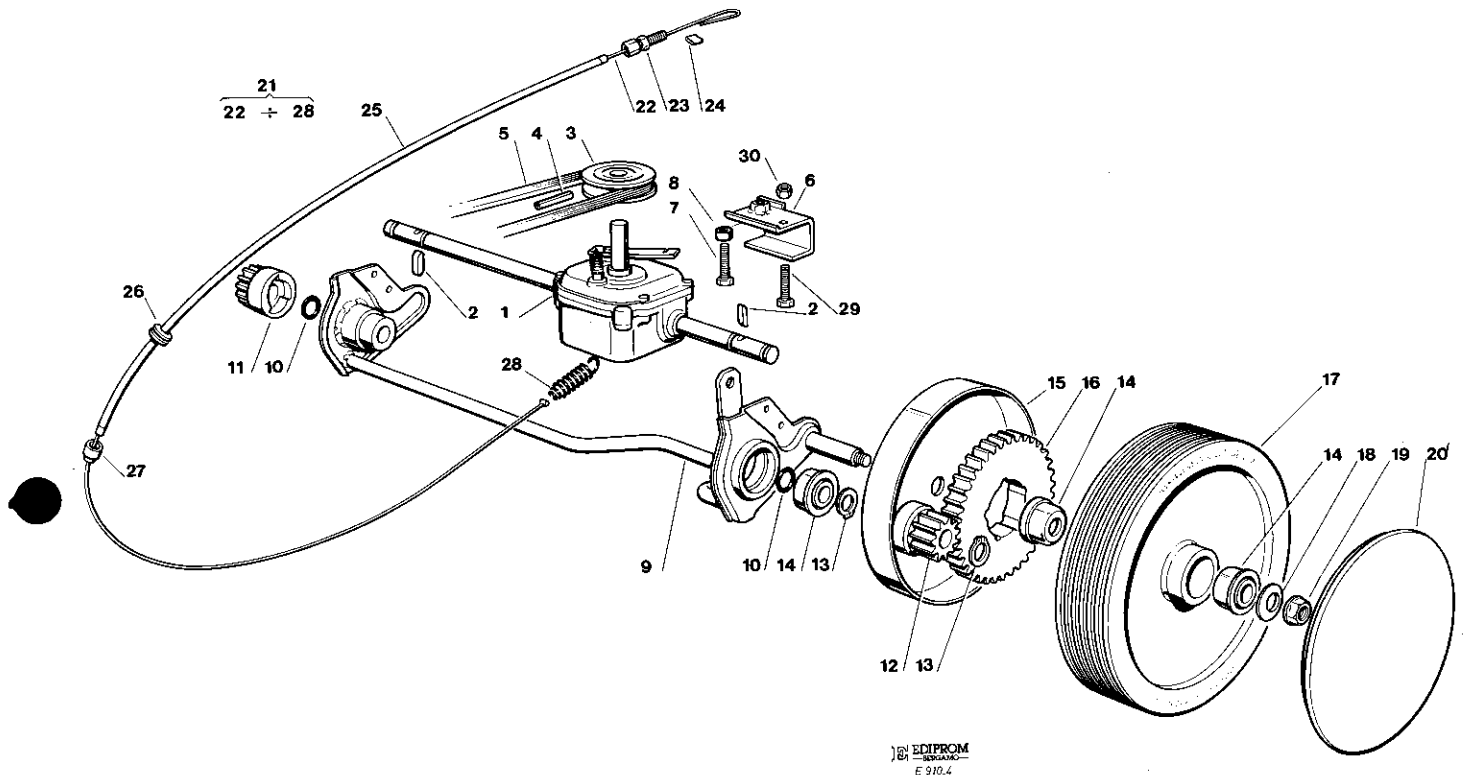




**NEW**  
**Garda®**

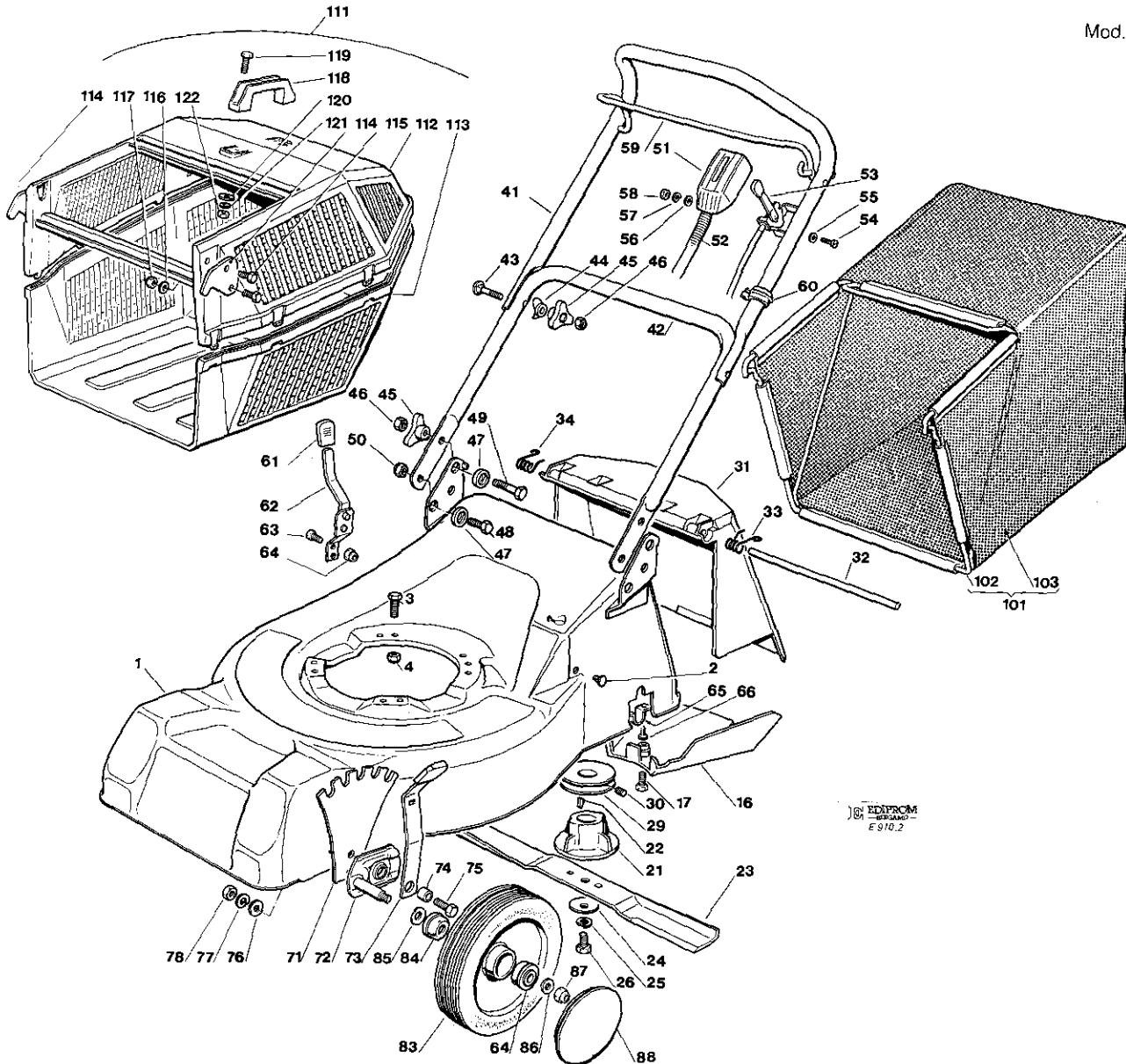
VISTE ESPLOSE  
EXPLODED VIEWS  
VUES ECLATEES  
SPRENGZEICHNUNGEN

**NG 464 TR 002**



EDIPROM  
E 910.4

Pos. Nr.	Kodice Kodex Code	Descrizione	Description	Description	Beschreibung	Q.tà Q.ty Q.tè Menge
1	18652002/0	GRUPPO TRAZIONE	REAR DRIVE UNIT	GROUPE TRACTION	RIEMEN	1
2	22328600/1	LINGUETTA DI TRASCINAMENTO	DRIVING KEY	CLAVETTE	MITNEHMERLAPPEN	2
3	22601904/0	PULEGGIA 4 KM/H	PULLEY 4 KM/H	POULIE 4 KM/H	RIEMENSCHIEBE 4 KM/H	1
4	12645705/0	SPINA	PIN	GOUILLE	STIFT	1
5	35063800/0	CINGHIA (Z 27)	BELT (Z 27)	COURROIE (Z 27)	RIEMEN (Z 27)	1
6	81005104/0	SUPPORTO TRAZIONE	SUPPORT	SUPPORT	ANTRIEBHALTER	1
7	12793700/0	VITE	SCREW	VIS	SCHRAUBE	1
8	12293200/0	DADO	NUT	ECROU	MUTTER	1
9	81001252/1	ASSE RUOTE POST.	REAR WHEELS AXLE	AXE ROUES ARR.	HINTERRAEDER ACHSE	1
10	12019900/0	ANELLO OR	OR RING	BAGUE OR	RING	2
11	22570110/0	PIGNONE DX	RIGHT PINION	PIGNON DROITE	L. RITZEL	1
12	22570120/0	PIGNONE SX	LEFT PINION	PIGNON GAUCHE	R. RITZEL	1
13	12608600/0	SEEGER	SEEGER	SEEGER	SEEGER	4
14	22122200/0	CUSCINETTO	BEARING	ROULEMENT	KUEGELLAGER	6
15	81006846/0	PROTEZIONE RUOTE	WHEEL GUARD	PROTECTION ROUE	RAEDERSCHUTZ	2
16	22120105/1	CORONA	RING GEAR	COURONNE	KRANZ	2
17	81007313/0	RUOTA Ø210 NERA	BLACK Ø210 WHEEL	ROUES Ø210 NOIRE	SCHWARZE Ø210 RAD	2
18	12369500/0	RONDELLA	WASHER	RONDELLE	SCHEIBE	2
19	12155000/0	DADO	NUT	ECROU	MUTTER	2
20	22110266/0	COPRIMOZZO	HUB COVER	COUVRE MOYEU	RADKAPPE	2
21	81001101/0	ASS. COMANDO TRAZIONE	REAR DRIVE UNIT	ENS. GROUPE TRACTION	ANTRIEB	1
22	22206052/0	FILO DOWDEN	BOWDEN WIRE	FIL BOWDEN	BOWDEN KABEL	1
23	22604052/0	REGISTRO	ADJUSTER	ECROU REGISTRE	SCHRAUBENMUTTER	1
24	15407030/0	FASCETTA	CLIP	BANDE	KABELBAND	1
25	22265322/0	GUAINA BOWDEN	BOWDEN SHEAT	GAINIE BOWDEN	BOWDENKABEL ABDECKUNG	1
26	18564510/0	PASSACAVO	CABLE PROTECTION	PROTECTION DE CABLE	KABELSCHUTZ	1
27	13120101/0	BUSSOLA	BUSH	DOUILLE	MUELSE	1
28	22450061/0	MOLLA	SPRING	RESSORT	FEDER	1
29	12689515/0	VITE	SCREW	VIS	SCHRAUBE	1
30	12154500/0	DADO	NUT	ECROU	MUTTER	1



EDIPROM  
E 910.2

Pos. Nr.	Codice Kodex Code	Descrizione	Description	Description	Beschreibung	Q.tà Q.ty Q.té Menge
1	81001176/0	CHASSIS ROSSO	RED DECK	CHASSIS ROUGE	ROTE GEHÄUSE	1
2	18737848/0	TAPPO	CAP	BOUCHON	GUMMISTOPFEN	1
3	12793700/0	VITE	SCREW	VIS	SCHRAUBE	3
4	12293201/0	DADO	NUT	ECROU	MUTTER	3
16	22060145/0	CARTER	DECK	CHASSIS	CHASSIS	
17	12727791/0	VITE	SCREW	VIS	SCHRAUBE	1
21	22463012/1	MDZZO (PP 62 Ø22)	HUB (P.T.O. 62 Ø22)	MOYEU (P.F. 62 Ø22)	HALTER (MW 62 Ø22)	1
21A	22463020/0	MOZZO (PP 62 Ø25)	HUB (P.T.O. 62 Ø25)	MOYEU (P.F. 62 Ø25)	HALTER (MW 62 Ø25)	1
22	12139100/0	LINGUETTA (PP Ø22)	FEATHER (P.T.O. Ø22)	CLAVETTE (P.F. Ø22)	KEIL (MW Ø22)	1
22A	12139150/0	LINGUETTA (PP Ø25)	FEATHER (P.T.O. Ø25)	CLAVETTE (P.F. Ø25)	KEIL (MW Ø25)	1
23	81004365/1	COLTELLO STANDARD	STANDARD BLADE	LAME STANDARD	STANDARD MESSER	1
23A	81004232/2	COLTELLO ALETTATO	WINGED BLADE	LAME AILETTE	FLUEGELMESSER	1
24	22160400/0	RONDELLA ELASTICA	ELASTIC WASHER	RONDELLE ELASTIQUE	ELASTISCHE SCHEIBE	1
25	12523080/0	RONDELLA	WASHER	RONDELLE	SCHEIBE	1
26	12735698/0	VITE (PP 62)	SCREW (P.T.O. 62)	VIS (P.F. 62)	SCHRAUBE (MW 62)	1
29	22601903/0	PULEGGIA Ø25/4 KM/H	PULLEY Ø25/4 KM/H	POULIE Ø25/4 KM/H	RIEMENSCHLEIBE Ø25/4 KM/H	1
29A	22601906/0	PULEGGIA Ø22/4 KM/H	PULLEY Ø22/4 KM/H	POULIE Ø22/4 KM/H	RIEMENSCHLEIBE Ø22/4 KM/H	1
30	12713801/0	GRANO PULEGGIA CON CHIAVETTA	PULLEY DOWEL WITH KEY	VIS SANS TETE POUR POULIE AVEC LANGUETTE	RIEMENSCHLEIBE MOTOR	2
30A	12714302/0	GRANO PULEGGIA SENZA CHIAVETTA	PULLEY DOWEL WITHOUT KEY	VIS SANS TETE POUR POULIE SANS LANGUETTE	SCHRAUBEN FUER REIMENSCHLEIBE MOTOR	1

Pos. Nr.	Codice Kodex Code	Descrizione	Description	Description	Beschreibung	Q.tà Q.ty Q.té Menge
31	22600028/0	PARASSASSI	STONE GUARD	PARE PIERRES	PRALLBLECH	1
32	22517906/0	PERNO FULCRO	PIN	PIVOT	BOLZEN	1
33	22450420/0	MOLLA SX	L. SPRING	RESSORT GAUCHE	L. FEDER	1
34	22450410/0	MOLLA DX	R. SPRING	RESSORT DROITE	R. FEDER	1
41	81006907/0	PARTE SUP. MANICO	UPPER HANDLE	PARTIE SUP. MANCHERON	OBERHOLM	1
42	81006512/0	PARTE INF. MANICO	LOWER HANDLE	PARTIE INF. MANCHERON	UNTERHOLM	1
43	12819201/0	VITE	SCRW	VIS	SCHRAUBE	2
44	22680006/1	RONDELLA	WASHER	RONDELLE	SCHIBE	2
45	22399900/0	MANOPOLINA	HANDGRIP	POIGNEE	GRIFF	4
46	12293200/0	DADO	NUT	ECROU	MUTTER	4
47	22041955/0	BUSSOLA	BUSH	DOUILLE	HUELSE	4
48	12792610/0	VITE	SCREW	VIS	SCHRAUBE	2
49	12793700/0	VITE	SCREW	VIS	SCHRAUBE	2
50	12155000/0	DADO	NUT	ECROU	MUTTER	2
51	22120142/0	CRUSCOTTO TR	OASH BOARO TR	CONSOLE TR	KONSOLE TR	
53	81007048/0	ASS. ACC. UNIVERSALE	THROTTLE UNIT	ENS. ACCELERATEUR	BESCHLEUNIGER	1
53A	22394640/3	MANOPOLINA	KNOBP	POIGNEE	GRIFF	1
54	12791400/0	VITE	SCREW	VIS	SCHIBE	1
55	12523040/0	RONDELLA	WASHER	GROWER	SCHIBE	2
56	12521330/0	RONDELLA	WASHER	GROWER	SCHIBE	2
57	12582100/0	GROWER	GROWER	GROWER	FEDERING	2
58	12292100/0	DADO	NUT	ECROU	MUTTER	2
59	81001218/1	LEVA TRAZIONE	DRIVING LEVER	LEVIER TRACTION	ANTRIEBHEBEL	1
60	22192000/1	FASCETTA ANCORAGGIO	ANCHOR CLAMP	COLLIER ANCRAGE	BOWDENZUGHATER	2
61	22397000/0	MANDPOLA	KNOB	POIGNEE	GRIF	1
62	81003279/0	LEVA	LEVIER	LEVIER	HEBEL	1
63	12788880/0	VITE	SCREW	VIS	SCHRAUBE	2
64	12154330/0	DADO	NUT	ECROU	MUTTER	2
65	22545152/0	PIASTRINA	PLATE	PLAQUETTE	PLATTE	2
66	12788910/0	VITE	SCREW	VIS	SCHRAUBEN	4
71	22735530/0	SETTORE	UNIT	SECTEUR	SECTOR	2
72	81005082/0	SUPP. RUOTA	WHEEL SUPPORT	SUPPDRT RDUE	RADHALTER	2
73	81003273/0	ASS. LEVA	LEVER UNIT	ENS. LEVIER	KDMPLLETTE HEBEL	2
74	22170900/0	DISTANZIALE	SPACER	ENTRETOISE	DISTANZRING	2
75	12794200/0	VITE	SCREW	VIS	SCHRAUBE	2
76	12523080/0	RONDELLA	WASHER	RONDELLE	SCHIBE	2
77	12585100/0	GROWER	GROWER	GROWER	FEOERRING	2
78	12295200/0	DADO	NUT	ECROU	MUTTER	2
83	81007311/0	RUOTA Ø170 NERA	BLACK WHEEL Ø170	ROUE Ø170 NOIRE	SCHWARZE RAD Ø170	2
84	22122200/0	CUSCINETTO	BEARING	ROULEMENT	KUEGELLAGER	2
85	12530150/0	RONDELLA ELASTICA	ELASTIC WASHER	RONDELLE ELASTIQUE	ELASTISCHE SCHIBE	2
86	12521350/0	RONDELLA	WASHER	RONDELLE	SCHIBE	2
87	12155000/0	DADO	NUT	ECROU	MUTTER	2
88	22110262/0	COPRIMOZZO BIANCO	WHITE HUBCAP	COUVRE-MOYEU BLANC	WEISSE RADKAPPE	2
101	98004000/0	ASS. SACCO IN TELA	CANVASS GRASSCATCHER ASS'Y	ENSEMBLE SAC EN TOILE	KOMPLETTER SACK	1
102	81006408/0	TELAIO	CHASSIS	CHASSIS	RAHMEN	1
103	81002105/0	TELA SACCO	FABRIC BOX	TOILE POUR SAC	TUCK FUER SACK	1
111	98005000/0	SACCO COMPLETD	COMPLETE GRASS-BOX	BAC COMPLET	KOMPLETTER KORB	1
112	22486061/1	PARTE SUP. SACCO	UPPER GRASSBOX	PARTIE SUP. BAC	KORB OBERTEIL	1
113	22486060/0	PARTE INF. SACCO	LOWER GRASSBOX	PARTIE INF. BAC	KORB UNTERTEIL	1
114	22775170/1	SUPPORTO SACCO	SUPPORT FOR GRASSBOX	SUPPORT BAC	KORB HALTER	2
115	12789000/0	VITE	SCREW	VIS	SCHRAUBEN	4
116	12521540/0	RONDELLA	WASHER	RONDELLE	SCHIBE	4
117	12154330/0	DADO	NUT	ECROU	MUTTER	4
118	22381900/0	MANIGLIA SACCO	GRASS CATCHER HANDLE	POIGNEE BAC	KORBGRIF	1
119	12791400/0	VITE	SCREW	VIS	SCHRAUBEN	2
120	12523040/0	RONDELLA	WASHER	RONDELLE	SCHIBE	2
121	12582100/0	GRDWER	GROWER	GROWER	FEOERRING	2
122	12292100/0	DADO	NUT	ECROU	MUTTER	2
-	81008577/0	DOTAZIONE SACCO	GRASS-BOX OUTFIT	DOTATION BAC	KORBAUSSTATTUNG	1
-	81008581/0	DOTAZIONE VITERIA	SCREWS OUTFIT	DOTATION VISSERIE	SCHRAUBEN SATZ	1