

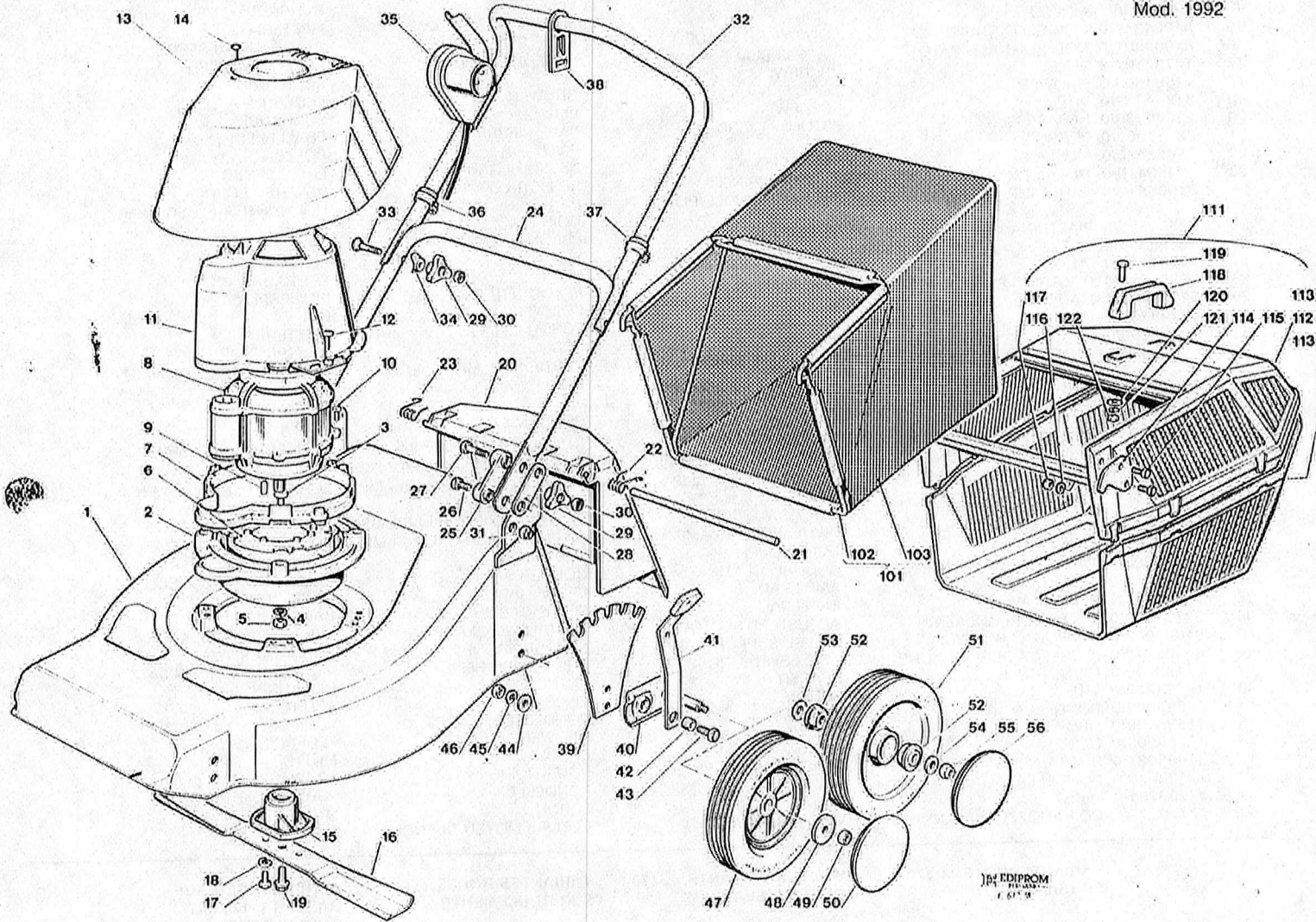


RASER^(R)

VISTE ESPLOSE
EXPLODED VIEWS
VUES ECLATEES
SPRENGZEICHNUNGEN

R 480

Mod. 1992



EDIPROM
F. 61/8

Pos. Nr.	Codice Kodex Code	Descrizione	Description	Description	Beschreibung	Q.tà Q.ty Q.té Menge
1	81000952/0	CHASSIS ROSSO	RED DECK	CHASSIS ROUGE	ROT GEHÄUSE	1
2	22207211/2	FLANGIA	FLANGE	BRIDE	FLANSCH	1
3	12793700/0	VITE	SCREW	VIS	SCHRAUBE	4
4	12583500/0	GROWER	NUT	ECROU	NUTTER	4
5	12293200/0	DADO	GROWER	GROWER	FEDERRING	4
6	22720360/1	SCHERMO VENTILAZIONE	VENTILATION SCREEN	ECROU VENTILATION	ÜFTUNGSCHEITM	1
7	22174006/1	DISTANZIALE	SPACER	ENTRETOISE	DISTANZIARING	1
8	18563045/0	MOTORE IBMEI 1500W (220V) S/F STATORE h. 60 mm	IBMEI MOTOR 1500W (220V) W/B STATOR h. 60 mm	MOTEUR IBMEI 1500W (220V) S/F STATOR h. 60 mm	MOTOR IBMEI 1500W (220V) O/B STATOR h. 60 mm	1
8-	18563046/0	MOTORE IBMEI 1500W (220V) C/F STATORE h. 60 mm	IBMEI MOTOR 1500W (220V) W/B STATOR h. 60 mm	MOTEUR IBMEI 1500W (220V) A/F STATOR h. 60 mm	MOTOR IBMEI 1500W (220V) M/B STATOR h. 60 mm	1
8-	18563047/0	MOTORE IBMEI 1500W (240V) C/F STATORE h. 60 mm	IBMEI MOTOR 1500W (240V) W/B STATOR h. 60 mm	MOTEUR IBMEI 1500W (240V) A/F STATOR h. 60 mm	MOTOR IBMEI 1500W (240V) M/B STATOR h. 60 mm	1
8-	18563006/0	MOTORE RST 1500W (220V) C/F	RST MOTOR 1500W (220V) W/B	MOTEUR RST 1500W (220V) A/F	MOTOR RST 1500W (220V) M/B	1
8A	18740051/0	VENTOLA PER MOTORE RST	RST ENGINE FAN	VENTILATEUR MOTEUR RST	RST LÜFTER	1
8B	18222037/0	CONDENSATORE 16 MF	CONDENSER 16 MF	CONDENSEUR 16 MF	KONDENSATORE 16 MF	1
8C	18740049/0	VENTOLA PER MOTORE IBMEI	IBMEI ENGINE FAN	VENTILATEUR MOTEUR IBMEI	IBMEI LÜFTER	1
8D	18398015/2	FLANGIA INFERIORE IBMEI	LOWER FLANGE IBMEI	BRIDE INF. IBMEI	UNTER FLANSCH IBMEI	1
8E	18398025/3	FLANGIA SUPERIORE IBMEI	UPPER FLANGE IBMEI	BRIDE INF. IBMEI	OBER FLANSCH IBMEI	1
9	12139440/0	LINGUETTA	FEATHER	CLAVETTE	KEIL	1
10	12735410/0	VITE	SCREW	VIS	SCHRAUBE	4
11	22785060/1	SUPPORTO CAPPOTTINA	COVER SUPPORT	SUPPORT CAPOT	HAUBEHALTER	1



CASTEL GARDEN EQUIPMENT spa
I - 31033 CASTELFRANCO VENETO - ITALY
TF (0423) 493161 - TX 433359 GARDEN ITALY
FAX (0423) 498404

CN 71502811/0
Printed in Italy by TYP'0

Pos. Nr.	Codice Kodex Code	Descrizione	Description	Description	Beschreibung	Q. tà Q. ty Q. të Menge
12	12728710/0	VITE	SCREW	VIS	SCHRAUBE	4
13	81002057/0	ASS. CAPPOTTINA	COVER ASS'Y	ENS. CAPOT	KOMPLETTE HAUBE	1
14	12728680/0	VITE	SCREW	VIS	SCHRAUBE	2
15	22463186/1	MOZZO	HUB	MOYEU	HALTER	1
16	81004346/0	COLTELLO STANDARD	STANDARD BLADE	LAME STANDARD	STANDARD MESSER	1
16A	81004397/0	COLTELLO ALETTATO	WINGS BLADE	LAME À AILETTES	FLUEGELMESSER	1
17	12793101/0	VITE	SCREW	VIS	SCHRAUBE	2
18	12583500/0	GROWER	GROWER	GROWER	FEDERRING	2
19	81004352/0	VITE	SCREW	VIS	SCHRAUBE	1
20	22600028/0	PARASASSI	STONE GUARD	PARE-PIERRESE	PRALLBLECH	1
21	22517906/0	PERNO	PIN	PIVOT	BOLZEN	1
22	22450420/0	MOLLA SX	LEFT SPRING	RESSORT GAUCHE	LINKE FEDER	1
23	22450410/0	MOLLA DX	RIGHT SPRING	RESSORT DROITE	RECHTE FEDER	1
24	81006512/0	PORTE INF. MANICO NERO	LOWER HANDLE BLACK	PARTIE INF. MANCHERON NOIR	HOLMUNTERTEIL SCHWARZ	1
25	22551575/0	PIASTRINA INTERNA	INSIDE PLAQUE	PLAQUETTE INTERNE		2
26	12793301/0	VITE	SCREW	VIS	SCHRAUBE	2
27	12691115/0	VITE	SCREW	VIS	SCHRAUBE	2
28	22551574/0	PIASTRINA ESTERNA	OUTSIDE PLAQUE	PLAQUETTE EXTERNE	ISOLIERPLATTE	2
29	22399900/0	MANOPOLINA	KNOB	POIGNÉE	GRIF	4
30	12293200/0	DADO	NUT	ECROU	MUTTER	4
31	12155000/0	DADO	NUT	ECROU	MUTTER	2
32	81006933/1	PORTE SUP. MANICO NERO	UPPER HANDLE BLACK	PARTIE SUP. MANCHERON NOIR	HOLMØBERTEIL SCHWARZ	1
33	12819201/0	VITE	SCREW	VIS	SCHRAUBE	2
34	22680006/1	RONDELLA	WASHER	RONDELLE	SCHIBE	2
35	18710610/0	SALVAMOTORE CEE 9,5 AMP (220V RST) (240V IBMEI)	SWITCH CEE 9,5 AMP (220V RST) (240V IBMEI)	INTERRUPTEUR CEE 9,5 AMP (220V RST) (240V IBMEI)	SCHALTER CEE 9,5 AMP (220V RST) (240V IBMEI)	1
35A	18710609/0	SALVAMOTORE SEV 9,5 AMP (220V) RST SOLO PER SVIZZERA	SWITCH SEV 9,5 AMP (220V) RST ONLY SWITZERLAND	INTERRUPTEUR SEV 9,5 AMP (220V) RST SEULEMENT POUR LA SUISSE	SCHALTER SEV 9,5 AMP (220V) RST NUR FÜR SCHWEIZ	1
35B	18710604/0	SALVAMOTORE CEE 10 AMP (220V) IBMEI	SWITCH CEE 10 AMP (220V) IBMEI	INTERRUPTEUR CEE 10 AMP (220V) IBMEI	SCHALTER CEE 10 AMP (220V) IBMEI	1
36	22192000/0	FASCETTA ANCORAGGIO	ANCHRO CLAMP	COLLIER ANCRAGE	BEFESTIGUNGSSCHELLE	2
37	22192150/0	FERMACAVO	FAIR-LEAD	SERRE-CABLE	KABELSCHELLE	1
38	22195101/1	FERMACAVO	FAIR-LEAD	SERRE-CABLE	KABELSCHELLE	1
39	22735530/0	SETTORE REGOLAZIONE	ADJUSTERS SECTOR	SECTEUR REGLAGE	VERSTELLUNGSSEKTOR	4
40	81005082/0	SUPPORTO RUOTA	WHEEL SUPPORT	SUPPORT ROUE	RADHALTER	4
41	81003272/0	ASS. LEVA REGOLAZIONE	ADJ. LEVER UNIT	ENS. LEVIER REGLAGE	VESTELLUNGSHEBELSATZ	4
42	22170900/0	DISTANZIALE	SPACER	ENTRETOISE	DISTANRING	4
43	12794200/0	VITE	SCREW	VIS	SCHRAUBE	4
44	12523080/0	RONDELLA	WASHER	RONDELLE	SCHIBE	4
45	12585100/0	GROWER	GROWER	GROWER	FEDERRING	4
46	12295200/0	DADO	NUT	ECROU	MUTTER	4
47	81003027/0	RUOTA NERA Ø 170	BLACK WHEEL Ø 170	ROUE NOIRE Ø 170	SCHWARZE RAD Ø 170	4
48	12523060/0	RONDELLA	WASHER	RONDELLE	SCHIBE	4
49	12293201/0	DADO	NUT	ECROU	MUTTER	4
50	22110272/0	COPRIMOZZO BIANCO	WHITE HUBCAP	COUVRE-MOYEU BLANCHE	RADKAPPE WEIB	4

VARIANTI RUOTE Ø 170 SU CUSCINETTI

WHEELS VARIANTS Ø 170 ON BALL BEARINGS

VARIANTES ROUES Ø 170 SUR ROULEMENTS

ÄNDERUNGEN AUF RAEDER Ø 170 MIT KUGGELAGER

51	81007311/0	RUOTA NERA	BLACK WHEEL	ROUE NOIRE	SCHWARZE RAD	4
52	22122200/0	CUSCINETTO	BEARINGS	ROULEMENT	KUGGELLAGER	8
53	12530150/0	RONDELLA ELASTICA	ELASTIC EASHER	RONDELLE ELASTIQUE	ELASTISCHESCHEIBE	4
54	12521350/0	RONDELLA	WASHER	RONDELLE	SCHIBE	4
55	12155000/0	DADO	NUT	ECROU	MUTTER	4
56	22110262/0	COPRIMOZZO BIANCO	WHITE HUBCAP	COUVRE-MOYEU BLANCHE	RADKAPPE WEIB	4

101	98004000/0	ASS. SACCO IN TELA	CANVASS GRASSCATCHER ASS'Y	ENSEMBLE SAC EN TOILE	KOMPLETTER SACK	1
102	81006408/0	TELAIO	CHASSIS	CHASSIS	RAHMEN	1
103	81002105/0	TELA SACCO	FABRIC BOX	TOILE POUR SAC	TUCK FUER SACK	1
111	98005000/0	SACCO COMPLETO	COMPLETE GRASS-BOX	BAC COMPLET	KOMPLETTER KORB	1
112	22486061/1	PORTE SUP. SACCO	UPPER GRASSBOX	PARTIE SUP. BAC	KORB OBERTEIL	1
113	22486060/0	PORTE INF. SACCO	LOWER GRASSBOX	PARTIE INF. BAC	KORB UNTERTEIL	1
114	22775170/1	SUPPORTO SACCO	SUPPORT FOR GRASSBOX	SUPPORT BAC	KORB HALTER	2
115	12789000/0	VITE	SCREW	VIS	SCHRAUBEN	4
116	12521540/0	RONDELLA	WASHER	RONDELLE	SCHIBE	4
117	12154330/0	DADO	NUT	ECROU	MUTTER	4
118	22381900/0	MANIGLIA SACCO	GRASS CATCHER HANDLE	POIGNÉE BAC	KORBGRIF	1
119	12791400/0	VITE	SCREW	VIS	SCHRAUBEN	2
120	12523040/0	RONDELLA	WASHER	RONDELLE	SCHIBE	2
121	12582100/0	GROWER	GROWER	GROWER	FEDERRING	2
122	12292100/0	DADO	NUT	ECROU	MUTTER	2
--	81008577/0	DOTAZIONE SACCO	GRASS-BOX OUTFIT	DOTATION BAC	KORBAUSSTATTUNG	1
--	81008583/0	DOTAZIONE VITERIA	SCREWS OUTFIT	DOTATION VISSERIE	SCHRAUBEN SATZ	1