

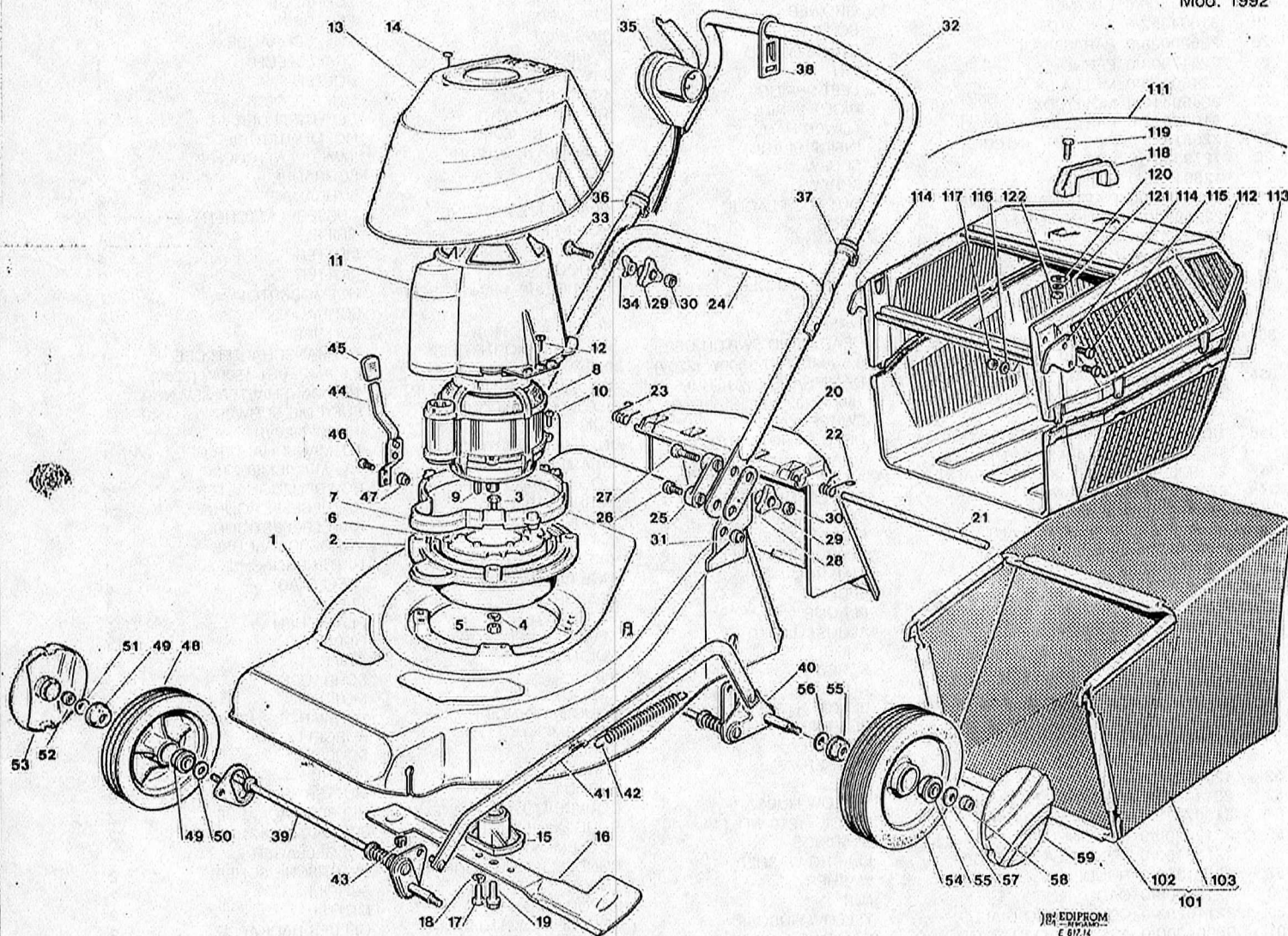


Le Club®

VISTE ESPLOSE
EXPLODED VIEWS
VUES ECLATEES
SPRENGZEICHNUNGEN

CL 480

Mod. 1992



EDIPROM
E 017.14

Pos. Nr.	Codice Kodex Code	Descrizione	Description	Description	Beschreibung	Q.tà Q.ty Q.té Menge
1	81001011/0	CHASSIS GIALLO	YELLOW DECK	CHASSIS JAUNE	GEHÄUSE GELB	1
2	22207211/2	FLANGIA	FLANGE	BRIDE	FLANSCH	1
3	12793700/0	VITE	SCREW	VIS	SCHRAUBE	4
4	12583500/0	GROWER	GROWER	RONDELLE GROWER	FEDERING	4
5	12293200/0	DADO	NUT	ECROU	MUTTER	4
6	22720360/1	SCHERMO VENTILAZIONE	VENTILATION SCREEM	ÉCRAN VENTINATION	LUFTUNGSSCHIRM	1
7	22174008/1	DISTANZIALE	SPACER	ENTRETOISE	DISTANZRING	1
8	18563045/0	MOTORE IBMEI 1500W (220V) S/F	IBMEI MOTOR 1500W (220V) W/B	MOTEUR IBMEI 1500W (220V) S/F	MOTOR IBMEI 1500W (220V) O/B	1
8-	18563046/0	MOTORE IBMEI 1500W (220V) C/F	IBMEI MOTOR 1500W (220V) W/B	MOTEUR IBMEI 1500W (220V) A/F	MOTOR IBMEI 1500W (220V) M/B	1
8-	18563047/0	MOTORE IBMEI 1500W (240V) C/F	IBMEI MOTOR 1500W (240V) W/B	MOTEUR IBMEI 1500W (240V) A/F	MOTOR IBMEI 1500W (240V) M/B	1
8-	18563006/0	MOTORE RST 1500W (220V) C/F	RST MOTOR 1500W (220V) W/B	MOTEUR RST 1500W (220V) A/F	MOTOR RST 1500W (220V) O/B	1
8A	18740051/B	VENTOLA	FAN	VENTILATEUR	LÜFTER	1
8B	18222037/0	CONDENSATORE 16 µF	CONDENSER 16 µF	CONDENSEUR 16 µF	CONDENSATOR 16µF	1
8C	18740049/0	VENTOLA	FAN	VENTILATEUR	LUEFTER	1
8D	18398015/2	FLANGIA INF.	LOWER FLANGE	BRIDE INF.	UNTERFLANSCH	1
8E	18398025/3	FLANGIA SUP.	UPPER FLANGE	BRIDE SUP.	OBERFLANSCH	1
9	12139440/0	LINGUETTA	FEATHER	CLAVETIE	KEIL	1
10	122735410/0	VITE	SCREW	VIS	SCHRAUBE	4
11	22785060/1	SUPPORTO CAPPOTTINA	COVER SUPPORT	SUPPORT CAPOT	HAUBEHALTER	1
12	12728710/0	VITE	SCREW	VIS	SCHRAUBE	4
13	81002057/0	ASSIEME CAPPOTTINA	COVER UNIT	ENS. CAPOT	KOMPLETTE HAUBE	1
14	12728680/0	VITE	SCREW	VIS	SCHRAUBE	2
15	22463186/1	MOZZO	HUB	MOYEU	HALTER	1



CASTEL GARDEN EQUIPMENT spa

I - 31033 CASTELFRANCO VENETO - ITALY
TF (0423) 493161 - TX 433359 GARDEN ITALY
FAX (0423) 498404

CN 71502815/0
Printed in Italy by TYP'0

Pos. Nr.	Codice Kodex Code	Descrizione	Description	Description	Beschreibung	Q. tà Q. ty Q. të Menge
16	81004397/0	COLTELLO ALETTATO	WINGS BLADE	LAME À AILLETES	FLUEGELMESSER	1
16A	81004346/0	COLTELLO STANDARD	STANDARD BLADE	LAME STANDARD	STANDARD MESSER	1
17	17793101/0	VITE	SCREW	VIS	SCHRAUBE	2
18	12583500/0	GROWER	GROWER	GROWER	FEDERRING	2
19	81004352/0	ASS. VITE	SCRW UNIT	ENS. VIST	ENS. SCHRAUBE	1
20	22600028/0	PARASSASSI	STONE-GUARD	PARE-PIERRES	PRALLBLECH	1
21	22517906/0	PERNO	PIN	PIVOT	BOLZEN	1
22	22450420/0	MOLLA SX	LEFT SPRING	RESSORT GAUCHE	LINKE FEDER	1
23	22450410/0	MOLLA DX	RIGHT SPRING	RESSORT DROITE	RECHTE FEDER	1
24	81006512/0	PARTE INF. MANICO	LOWER HANDLE	PARTIE INF. MANCHERON	HOLMUNTERTEIL	1
25	22551575/0	PIASTRINA INTERNA	INSIDE PLAQUE	PLAQUETTE INTERNE	IMMERPLÄTTCHEN 2	1
26	12793301/0	VITE	SCREW	VIS	SCHRAUBE	2
27	12691115/0	VITE	SCREW	VIS	SCHRAUBE	2
28	22551574/0	PIASTRINA ESTERNA	OUTSIDE PLAQUE	PLAQUETTE EXTERNE	AUSSERPLÄTTCHEN	2
29	22399900/0	MANOPOLINA	KNOB	POIGNEE	GRIF	4
30	12293200/0	DADO	NUT	ECROU	MUTTER	4
31	12215500/0	DADO	NUT	ECROU	MUTTER	2
32	81006933/1	PARTE SUP. MANICO	UPPER HANDLE	PARTIE SUP. MANCHERON	HOLMOBERTEIL	1
33	12819201/0	VITE	SCREW	VIS	SCHRAUBE	2
34	22680006/1	RONDELLA	WASHER	ECROU	SCHIBE	2
35	18710610/0	SALVAMOTORE MM CEE 9,5 AMP. RST 1500W (220V)	DEAD HAND SWITCH CEE 9,5 AMP. RST 1500W (220V)	INT. MAIN MORTE CEE 9,5 AMP. RST 1500W (220V)	TOTMANSCHALTER CEE 9,5 AMP. RST 1500W (220V)	1
35A	18710609/0	SALVAMOTORE 9,5 AMP 1500W RST (220V) (SOLO PER SVIZZERA)	DEAD HAND SWITCH 9,5 AMP 1500W (220V) (ONLY FOR SWITZERLAND)	INT MAIN MORTE 9,5 AMP 1500W (220V) (POUR LA SUISSE)	TOT MANSCHALTER SEV NUR FUER DIE SCHWEIZ 9,5 AMP 1500W (220V)	1
35B	18710604/0	SALVAMOTORE MM 10 AMP. CEE (IBMEI 240V)	DEAD HAND SWITCH CEE 10 AMP. (IBMEI 240V)	INT. MAIN MORTE CEE 10 AMP. (IBMEI 240V)	TOTMANSCHALTER CEE 10 AMP. (IBMEI 240V)	1
36	22192000/1	FASCETTA ANCORAGGIO	ANCHOR CLAMP	COLLIER ANCRAGE	BOWDENZUGHALTER	2
37	22192150/0	FERMACAVO	FAIR-LEAD	SERRE CABLE	KABELBEFESTIGUNG	1
38	22195101/1	FERMACAVO	FAIR-LEAD	SERRE CABLE	KABELBEFESTIGUNG	1
39	81001250/0	ASSE RUOTE ANT.	FRONT WHEEL AXLE	AXE ROUES AVANT	VORDERRADACHSE	1
40	81001254/0	ASSE RUOTE POST.	REAR WHEEL AXLE	AXE ROUES ARRIER	HINTERRADACHSE	1
41	81001246/1	ASTA COMANDO	ADJ. ROD	TIGE COMMANDE	STELLSTAB	1
42	22446180/0	MOLLA	SPRING	RESSORT	FEDER	1
43	12436050/0	PIASTRINA	PLAQUE	PLAQUETTE	PLÄTTCHEN	2
44	81003279/0	LEVA REGOLAZ.	ADJUST. LEVER	MAMETTE RÉGLAGE	HEBEL	1
45	22397000/0	MANOPOLA	KNOB	POIGNÉE	GRIF	1
46	12788880/0	VITE	SCREW	VIS	SCHRAUBE	2
47	12154330/0	DADO	NUT	ECROU	MUTTER	2
48	81007311/0	RUOTA Ø170 NERA	BLACK Ø170 WHEEL	ROUE Ø170 NOIRE	SCHWARZE Ø170 RAD	2
49	22122200/0	CUSCINETTO	BEARINGS	ROULEMENT	KUEGELLAGER	4
50	12530150/0	RONDELLA	WASHER	ECROU	SCHIBE	2
51	12521360/0	RONDELLA	WASHER	ECROU	SCHIBE	2
52	12155000/0	DADO	NUT	ECROU	MUTTER	2
53	22110254/0	COPRIMOZZO GIALLO	YELLOW HUBCAP	COUVRE MOYEU JAUNE	GELBES RADKAPPE	2
54	81007313/0	RUOTA Ø210 NERA	BLACK Ø210 WHEEL	ROUE Ø210 NOIRE	SCHWARZE Ø210 RAD	2
55	22122200/0	CUSCINETTO	BEARINGS	ROULEMENT	KUEGELLAGER	4
56	12530150/0	RONDELLA ELASTICA	ELASTIC WASHER	RONDELLE ELASTIQUE	ELASTISCHE SCHIBE	2
57	12521350/0	RONDELLA	WASHER	ECROU	SCHIBE	2
58	12155000/0	DADO	NUT	ECROU	MUTTER	2
59	22110253/0	COPRIMOZZO GIALLO	YELLOW HUBCAP	COUVRE MOYEU JAUNE	GELBES RADKAPPE	2
101	98004000/0	ASS. SACCO IN TELA	CANVASS GRASSCATCHER ASS'Y	ENSEMBLE SAC EN TOILE	KOMPLETTER SACK	1
102	81006408/0	TELAIO	CHASSIS	CHASSIS	RAHMEN	1
103	81002105/0	TELA SACCO	FABRIC BOX	TOILE POUR SAC	TUCK FUER SACK	1
111	98005000/0	SACCO COMPLETO	COMPLETE GRASS-BOX	BAC COMPLET	KOMPLETTER KORB	1
112	22486061/1	PARTE SUP. SACCO	UPPER GRASSBOX	PARTIE SUP. BAC	KORB OBERTEIL	1
113	22486060/0	PARTE INF. SACCO	LOWER GRASSBOX	PARTIE INF. BAC	KORB UNTERTEIL	1
114	22775170/1	SUPPORTO SACCO	SUPPORT FOR GRASSBOX	SUPPORT BAC	KORB HALTER	2
115	12789000/0	VITE	SCREW	VIS	SCHRAUBEN	4
116	12521540/0	RONDELLA	WASHER	RONDELLE	SCHIBE	4
117	12154330/0	DADO	NUT	ECROU	MUTTER	4
118	22381900/0	MANIGLIA SACCO	GRASS CATCHER HANDLE	POIGNÉE BAC	KORBGRIF	1
119	12791400/0	VITE	SCREW	VIS	SCHRAUBEN	2
120	12523040/0	RONDELLA	WASHER	RONDELLE	SCHIBE	2
121	12582100/0	GROWER	GROWER	GROWER	FEDERRING	2
122	12292100/0	DADO	NUT	ECROU	MUTTER	2
-	81008577/0	DOTAZIONE SACCO	GRASS-BOX OUTFIT	DOTATION BAC	KORBAUSSTATTUNG	1
-	81008583/0	DOTAZIONE VITERIA	SCREWS OUTFIT	DOTATION VISSERIE	SCHRAUBEN SATZ	1