

EDIPROM  
E 708.2

Codice Kodex Code	Descrizione	Description	Description	Beschreibung	Q.tà Q.ty Q.té Menge
81001415/0	CHASSIS ROSSO (T 434 TR)	RED DECK (T 434 TR)	CHASSIS ROUGE (T 434 TR)	GEHÄUSE ROT (T 434 TR)	1
91001417/0	CHASSIS GIALLO (T 434 TR)	YELLOW DECK (T 434 TR)	CHASSIS JOUNE (T 434 TR)	GEHAUSE GELB (T 434 TR)	1
1001419/0	CHASSIS GRIGIO (T 434 TR)	GREY DECK (T 434 TR)	CHASSIS GRIS (T 434 TR)	GEHÄUSE GRAU (T 434 TR)	1
1001421/0	CHASSIS VERDE (T 434 TR)	GREEN DEK (T 434 TR)	CHASSIS VERT (T 434 TR)	GEHÄUSE GUEN (T 434 TR)	1
001416/0	CHASSIS ROSSO (T 484 TR/TR-E)	RED DECK (T 484 TR/TR-E)	CHASSIS ROUGE (T 484 TR/TR-E)	GEHÄUSE ROT (T 484 TR/TR-E)	1
001418/0	CHASSIS GIALLO (T 484 TR/TR-E)	YELLOW DECK (T 484 TR/TR-E)	CHASSIS JOUNE (T 484 TR/TR-E)	GEHÄUSE GELB (T 484 TR/TR-E)	1
001420/0	CHASSIS GRIGIO (T 484 TR/TR-E)	GREY DECK (T 484 TR/TR-E)	CHASSIS GRIS (T 484 TR/TR-E)	GEHÄUSE GRAU (T 484 TR/TR-E)	1
001422/0	CHASSIS VERDE (T 484 TR/TR-E)	GREEN DEK (T 484 TR/TR-E)	CHASSIS VERT (T 484 TR/TR-E)	GEHÄUSE GUEN (T 484 TR/TR-E)	1
05535/0	SETTORE REGOL.	ADJ. UNIT	SECTEUR	VERSTELLUNG SEKTOR	1
05508/0	SETTORE REGOL.	ADJ. UNIT	SECTEUR	VERSTELLUNG SEKTOR	1
0070/0	RIVETTO	RIVET	RIVET	NIETE	3
0171/0	CARTER (T 434)	DECK (T 434)	CHASSIS (T 434)	GEHÄUSE (T 434)	1
0172/0	CARTER (T 484)	DECK (T 484)	CHASSIS (T 484)	GEHÄUSE (T 484)	1
0180/0	VITE	SCREW	VIS	SCHRAUBE	2
0185/0	BUSSOLA	BUSH	BOUILLE	HÜLSE	3
0190/0	DISTANZIALE	SPACER	ENTRETOISE	ENTFERNUNGSTÜCK	3
0190/0	VITE	SCREW	VIS	SCHRAUBE	3
0190/0	RONDELLA	WASHER	GROWER	SCHEIBE	3
0190/0	DADO	NUT	ECROU	MUTTER	3
0190/0	PARACALORE	MUFFLER GUARD	GRILLE DE PROTECTION	SCHUTZABDECKUNG	1

Pos. Nr.	Codice Kodex Code	Descrizione	Description	Description	Beschreibung	Q. tà Q. ty Q. tè Menge
21	22465605/0	MOZZO GIRANTE (PP Ø22)	HUB FAN (P.T.O. Ø22)	MOYEU VENTILATEUR (P.F. Ø22)	HALTER LUEFTER (M.W. Ø22)	1
21/A	22565606/0	MOZZO GIRANTE (PP Ø25)	HUB FAN (P.T.O. Ø25)	MOYEU VENTILATEUR (P.F. Ø25)	HALTER LUEFTER (M.W. Ø25)	1
22	12139100/0	LINGUETTA (PP Ø22)	FEATHER (P.T.O. Ø22)	CLAVETTE (P.F. Ø22)	KEIL (M.W. Ø22)	1
22A	12139150/0	LINGUETTA (PP Ø25)	FEATHER (P.T.O. Ø25)	CLAVETTE (P.F. Ø25)	KEIL (M.W. Ø25)	1
23	22245080/0	GIRANTE	FAN	VENTILATEUR	LUEFTER	1
24	22465604/0	MOZZO	HUB	MOYEU	HALTER	1
25	81004341/0	COLTELLO STANDARD 41 CM	STANDARD BLADE 41 CM	LAME STANDARD 41 CM	STANDARD MESSER 41 CM	1
25A	81004396/0	COLTELLO ALETTATO 41 CM	WINGS BLADE 41 CM	LAME À AILETTES 41 CM	FLUEGEL MESSER 41 CM	1
25B	81004346/0	COLTELLO STANDARD 46 CM	STANDARD BLADE 46 CM	LAME STANDARD 46 CM	STANDARD MESSER 46 CM	1
25C	81004397/0	COLTELLO ALETTATO 46 CM	WINGS BLADE 46 CM	LAME À AILETTES 46 CM	FLUEGEL MESSER 46 CM	1
26	22180400/0	DISCO ELASTICO	ELASTIC WASHER	RONDELLE ELASTIQUE	ELASTISCHE SCHEIBE	1
27	12523080/0	RONDELLA	WASHER	RONDELLE	SCHEIBE	1
28	12736820/0	VITE	SCREW	VIS	SCHRAUBE	1
31	22600023/0	PARASSASSI	STONE GUARD	PARE-PIERRES	PRALLBLEICH	1
32	22517907/0	PERNO	PIN	PIVOT	BOLZEN	1
33	22450270/0	MOLLA	SPRING	GAUCHE	FEDER	1
41	81006944/0	MANICO SUP.	UPPER HANDLE	PARTIE SUP. MANCHERON	OBERHOLM	1
42	81006917/0	MANICO INF.	LOWER HANDLE	PARTE INF. MANCHERON	UNTERHOLM	2
43	18566110/0	PUNTALE	CAP	BOUCHON	GUMMISTOPFEN	2
44	22600042/0	PROTEZ. MANICO DX	RIGHT HANDLE PROT.	PROT. MANCHERON DX	HOLM SCHUTZ RECHTS	1
45	22600043/0	PROTEZ. MANICO SX	LEFT HANDLE PROT.	PROT. MANCHERON SX	HOLM SCHUTZ LINKS	1
46	12691400/0	VITE	SCREW	VIS	SCHRAUBE	2
47	12691900/0	VITE	SCREW	VIS	SCHRAUBE	2
48	12521350/0	RONDELLA	WASHER	GROWER	SCHEIBE	4
49	22551632/0	PIASTRA FIX MANICO	SCREW	VIS	SCHRAUBE	2
50	12819120/0	VITE	WASHER	RONDELLE	SCHEIBE	2
51	22680006/0	ROSETTA	WASHER	RONDELLE	SCHEIBE	2
52	22399900/0	MANOPOLINA	KNOB	POIGNÉE	GRIFF	2
53	12293200/0	DADO	NUT	ECROU	MUTTER	2
54	22120142/0	CRUSCOTTO TR	DASH BOARD TR	CONSOLE TR	KONSOLE TR	1
54A	22120143/0	CRUSCOTTO TR/ES	DASH BOARD TR/ES	CONSOLE TR/ES	KONSOLE TR/ES	1
55*	18204180/0	ASS. CABLAGGIO	CABLES UNIT	ENS. CFABLAGE	KABEL	1
56	81007249/0	ASS. ACC. UNIVERSALE	THROTTLE UNIT	ENS. ACCELERATEUR	BESCHLEUNIGER	1
57	12791400/0	VITE	SCREW	VIS	SCHRAUBE	1
58	12523040/0	RONDELLA	WASHER	GROWER	SCHEIBE	2
59	12521330/0	RONDELLA	WASHER	GROWER	SCHEIBE	2
60	12582100/0	GROWER	GROWER	GROWER	FEDERRING	2
61	12292100/0	DADO	NUT	ECROU	MUTTER	2
62	81001218/1	LEVA TRAZIONE	DRIVING LEVER	LEVIER TRACTION	ANTRIEBHABEL	1
63	22192000/1	FASCETTA ANCORAGGIO	ANCHOR CLAMP	COLLIER ANCRAGE	BANDENZUGHATER	2
64*	18450050/0	INTERRUTTORE	SWITCH	INTERRUPTERU	SCHALTER	1
71	81001408/0	ASSE RUOTE ANT. T 434 TR	FRONT WHEEL AXLE T 434 TR	AXE ROUES AVANT T 434 TR	VORRAD ACHSE T 434 TR	1
71A	81001410/0	ASSE RUOTE ANT. T 484 TR/TR-E	FRONT WHEEL AXLE T 484 TR/TR-E	AXE ROUES AVANT T 484 TR/TR-E	VORRAD ACHSE T 484 TR/TR-E	1
72	22321502/0	LEVA REGOLAZIO.	ADJ. LEVER	LEVIER REGLAGE	HEBEL	1
73	22400000/0	MANOPOLINA	KNOB	POGNÉE	GRIFF	2
74	22519510/0	PERNO	PIN	PIVOT	BOLZEN	1
75	12668700/0	VITE	SCREW	VIS	SCHRAUBE	1
76	22170950/0	DISTANZIALE DX	SPACER DX	ENTRETOISE DX	DISTANZRING DX	1
77	22170940/0	DISTANZIALE SX	SPACER SX	ENTRETOISE SX	DISTANZRING SX	1
78	12523060/0	ROSETTA	WASHER	RONDELLE	SCHEIBE	2
79	12155000/0	DADO	NUT	ECROU	MUTTER	2
80	81007242/0	RUOTA Ø170 BIANCA	WHITE Ø170 WHELL	ROUE Ø170 BLANCHE	WEISS Ø170 RAD	2
80A	81007292/0	RUOTA Ø170 GIALLA	YELLOW Ø170 WHEEL	ROUE Ø170 JAUNE	GELBES Ø170 RAD	2
81	22122200/0	CUSCINETTO	BEARING	COUSSINET	KUEGELLAGER	8
82	12530150/0	ROSETTA ELASTICA	ELASTIC WASHER	RONDELLE ELASTIQUE	ELASTISCHE SCHEIBE	4
83	12521350/0	ROSETTA	WASHER	RONDELLE	SHEIBE	4
84	12155000/0	DADO	NUT	ECROU	MUTTER	4
85	22110252/0	COPRIMOZZO BIANCO	WHITE HUB CAP	COUVRE MOYEU BLANCHE	WEISSE RADKAPPE	2
85A	22110254/0	COPRIMOZZO GIALLO	YELLOW HUB CUP	COUVRE MOYEU JAUNE	GELBE RADKAPPE	2
86	22545152/0	PIASTRINA SX	LEFT PLATE	PLAQUETTE GAUCHE	LINKER PLAETTCHEN	2
86A	22545154/0	PIASTRINA DX	RIGHT PLATE	PLAQUETTE DROITE	RECHTER PLAETTCHEN	2
87	12735402/0	VITE	SCREW	VIS	SCHRAUBE	1
101	96400000/0	ASS. SACCO IN TELA	CANVASS GRASSCATCHER ASS'Y	ENSEMBLE SAC EN TOILE	KOMPLETTER SACK	1
102	81006430/0	TELAIO	CHASSIS	CHASSIS	RAHMEN	1
103	81002121/0	TELA SACCO	FABRIC BOX	TOILE POUR SAC	TUCK FUER SACK	1
131*	18120050/0	BATTERIA	BATTERY	BATTERIE	BATTERIE	1
132	22807640/0	SUPP. BATTERIA	BATTERY SUPPORT	SUPPORT BATTERIE	BATTERIE	1
133	127286805	VITE	SCREW	VIS	SCHRAUBE	2
134*	18204110/0	CARICA BATTERIE	BATTERY LOADER	CHARGEUR DE BATTERIE	LADGERAET	1

DOVENDO SOSTITUIRE IN GARANZIA LE PARTI CONTRASSEGNALE CON «\*» RIVOLGERSI AL COSTRUTTORE DEL MOTORE.

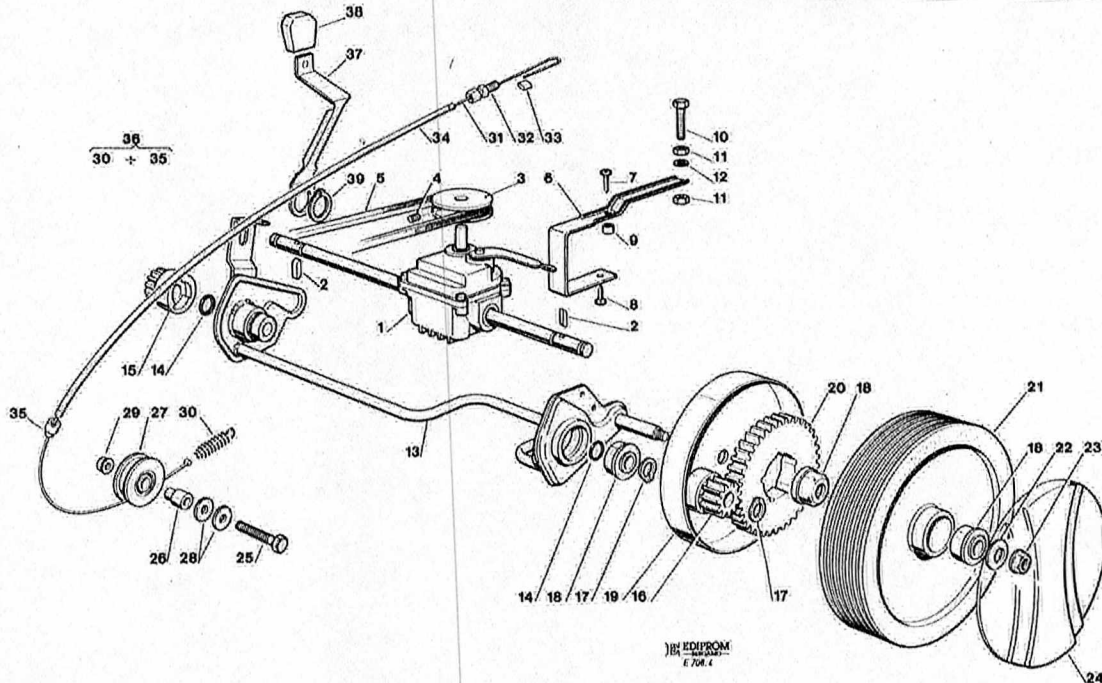
IF YOU HAVE TO CHANGE THE PIECES INDICATED WITH «\*» ON WARRANTY YOU ADDRESS TO AFTER SALES SERVICE OF ENGINE MANUFACTURER.

SI VOUS DEVEZ SUBSTITUER LES PIÈCES INDIQUÉES AVEC «\*» SOUS GARANTIE VOUS DEVEZ VOUS ADRESSER AU SERVICE APRÈS VENTES DE LA MAISON CONSTRUCTRICE DU MOTEUR.

BITTE WENDEN SIE SICH BEI GARANTIEREPARATUREN DER MIT «\*» GEKENNZEICHNETEN TEILE AN DIE KUNDENDIENSTSTELLE DES MOTORHERSTELLER.

VISTE ESPLOSE  
EXPLODED VIEWS  
VUES ECLATEES  
SPRENGZEICHNUNGEN

T 434 TR  
T 484 TR  
T 484 TR-E 00:



Pos. Nr.	Codice Kodex Code	Descrizione	Description	Description	Beschreibung	Q.tà Q.ty Q.tè Menge
1	18652030/0	GRUPPO TRAZIONE	REAR DRIVE	GROUPE TRACTION	ANTRIEB	1
2	22328600/1	LINGUETTA TRASCINAMENTO	DRIVING KEY	LANGUETTE ENTRAÎNEMENT	MITNEHMERLAPPEN	2
3	22601901/0	PULEGGIA 4 KM/H	PULLEY 4 KM/H	POULIE 4 KM/H	RIEMENSCHLEIBE 4 KM/H	1
4	12714302/0	GRANO	DOWEL	VIS SANS TÊTE	SCHRAUBE	1
5	35063900/0	CINGHIA Z 28	BELT Z 28	COURROIE Z 28	RIEMEN Z 28	1
5A	35064100/0	CINGHIA Z 30	BELT Z 30	COURROIE Z 30	RIEMEN Z 30	1
6	22785111/0	SUPPORTO GRUPPO TRAZIONE	REAR DRIVE UNIT SUPPORT	SUPPORT GROUPE TRACTION	ANTRIEBHALTER	1
7	12728505/0	VITE	SCREW	VIS	SCHRAUBE	1
8	12728630/0	VITE	SCREW	VIS	SCHRAUBE	1
9	22170600/0	DISTANZIALE	SPACER	ENTRETOISE	ENTFERNUNGSSK	1
10	12691400/0	VITE	SCREW	VIS	SCHRAUBE	1
11	12293200/0	DADO	NUT	ECROU	SCHRAUBENMUTTER	1
12	12523060/0	RONDELLA	WASHER	GROWER	SCHLEIBE	1
13	81001412/0	ASS. RUOTE POST.	REAR WHEELS AXLE	AXE ROUES ARRIERES	HINTERRÄDER ACHSE	1
14	12019900/0	ANELLO	RING	ANNEAU	RING	2
15	22570110/0	PIGNONE DX	RIGHT PINION	PIGNON DROIT	RECHTES RITZEL	1
16	22570120/0	PIGNONE SX	LEFT PINION	PIGNON GAUCHE	LINKES RITZEL	1
17	12608600/0	SEEGER	SEEGER	SEEGER	SEEGER	1
18	22122200/0	CUSCINETTO	BEARING BALL	COUSSINET	KUGELLAGER	4
19	81006846/0	PROTEZIONE RUOTE	WHEELS GUARD	PROTECTION RUOES	RAEDERSCHUTZ	2
20	22120105/1	CORONA	RING GEAR	COURONNE	KRANZ	2
21	81007234/1	RUOTA POST. Ø210 (DISCO BIANCO)	REAR WHEEL Ø210 (WHITE DISC)	ROUE ARRIERE Ø210 (DISQUE BLANC)	HINTERRAD Ø210 (WEISSE SCHEIBE)	2
21A	81007238/1	RUOTA POST. Ø210 (DISCO GIALLO)	REAR WHEEL Ø210 (YELLOW DISC)	ROUE ARRIERE Ø210 (DISQUE JAUNE)	HINTERRAD Ø210 (GELBE SCHEIBE)	2
22	12369500/0	RONDELLA	WASHER	RONDELLE	SCHLEIBE	2
23	12155000/0	DADO	WASHER	ECROU	SCHRAUBENMUTTER	2
24	22110251/0	COPRIMOZZO BIANCO	WHITE HUB CUP	COUVRE MOYER BLANCHE	WEISSE RADKAPPE	2
24A	22110253/0	COPRIMOZZO GIALLO	YELLOW HUB CUP	COUVRE MOYEU JAUNE	GELBE RADKAPPE	2
25	12691200/0	VITE	SCREW	VIS	SCHRAUBE	1
26	22170910/0	DISTANZIALE	SPACER	ENTRETOISE	ENTFERNUNGSTUECK	1
27	81003375/0	ASS. RUOTINO	BEARING BALL	COUSSINET	KUGELLAGER	1
28	12523060/0	RONDELLA	WASHER	GROWER	SCHLEIBE	2
29	12293201/0	DADO	NUT	ECROU	SCHRAUBENMUTTER	1
30	22450800/0	MOLLA	SPRING	RESSORT	FEDER	1
31	22206040/2	FILO	WIRE	FIL	KABEL	1
32	22604052/0	REGISTRO	ADJUSTER	ECROU REGISTRE	SCHRAUBENMUTTER	1
33	15407030/0	FASCETTA	CLIP	COLLIER	KABELBALD	1
34	22265320/0	GUAINA BOWDEN	BOWDEN SHEAT	GAINÉ BOWDEN	BOWDENKABELABDECKUNG	1
35	13120101/0	BUSSOLA	BYSH	DOUILLE	MUELSE	1
36	81001088/0	ASS. COMANDO TRAZIONE	REAR DRIVE ASS'Y	ENS. COMANDE TRACTION	ANTRIEB	1
37	22321497/0	LEVA REGOLAZIONE	ADJ. LEVER	LEVIER REGLAGE	VERSTELLUNGHEBEL	1
38	22400000/0	MANOPOLINA	KNOB	POIGNÉE	GRIFF	1
39	12609260/0	SEEGER	SEEGER	SEEGER	SEEGER	1