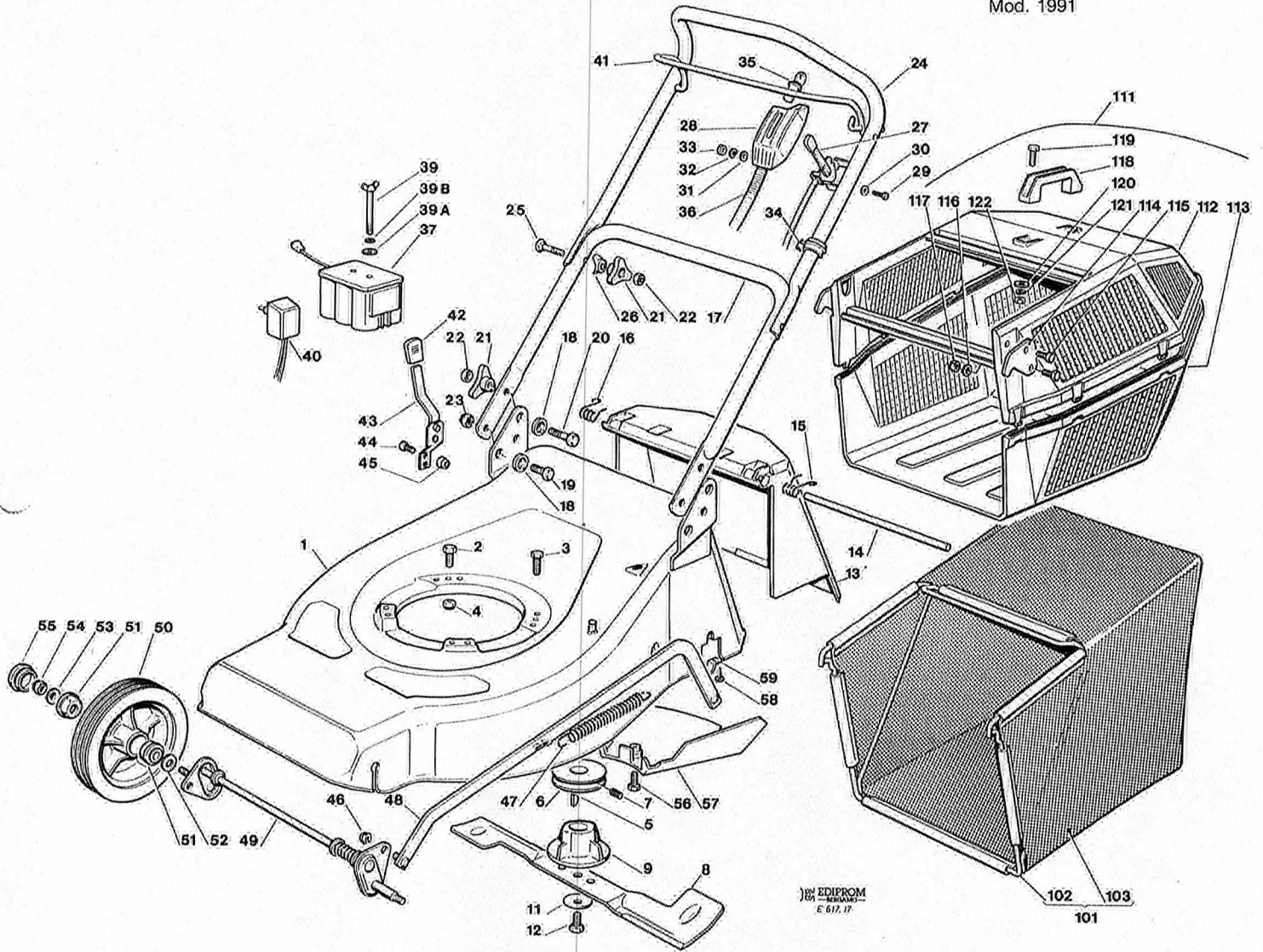


Le Club®

VISTE ESPLOSE
EXPLODED VIEWS
VUES ECLATEES
SPRENGZEICHNUNGEN

CL 434 TR
CL 484 TR
CL 484 TR-E 001

Mod. 1991



Pos. Nr.	Codice Kodex Code	Descrizione	Description	Description	Beschreibung	Q.tà Q.ty Q.tè Menge
1	81001010/0	CHASSIS GIALLO (CL 434 TR)	YELLOW DECK (CL 434 TR)	CHASSIS JOUNE (CL 434 TR)	GEHÄUSE GELB (CL 434 TR)	1
1A	81001012/0	CHASSIS GIALLO (CL 484 TR)	YELLOW DECK (CL 484 TR)	CHASSIS JOUNE (CL 484 TR)	GEHÄUSE GELB (CL 484 TR)	1
1B	81001014/0	CHASSIS GIALLO (CL 484 TR/ES)	YELLOW DECK (CL 484 TR/ES)	CHASSIS JOUNE (CL 484 TR/ES)	GEHÄUSE GELB (CL 484 TR/ES)	1
2	12793700/0	VITE M8x40	SCREW M8x30	VIS M8x30	SCHRAUBE M8x30	3/2
3	12691800/0	VITE M8x60 (CL 434 TR - CL 484 TR)	SCREW M8x60 (CL 434 TR - CL 484 TR)	VIS M8x60 (CL 434 TR - CL 484 TR)	SCHRAUBE M8x60 (CL 434 TR - CL 484 TR)	1
4	12293201/0	DADO	NUT	ECROU	MUTTER	3
5	12139150/0	LINGUETTA	KEY	CLAVETTE	KEIL	1
6	22601903/0	PULEGGIA (Ø 25 - 4 KM/H)	PULLEY (Ø 25 - 4 KM/H)	POULIE (Ø 25 - 4 KM/H)	RIEMENSCHIBE (Ø 25 - 4 KM/H)	1
6A	22601906/0	PULEGGIA (Ø 22 - 4 KM/H)	PULLEY (Ø 22 - 4 KM/H)	POULIE (Ø 22 - 4 KM/H)	RIEMENSCHIBE (Ø 22 - 4 KM/H)	1
7	12713801/0	GRANO PER PULEGGIA CON LINGUETTA	DOWEL FOR PULLEY WITH FEATHER	VIS POUR POULIE AVEC CLAVETTE	STIFT FUER RIEMENSCHIBE MIT KEIL	1
7A	12714302/0	GRANO PER PULEGGIA SENZA LINGUETTA	DOWEL FOR PULLEY WITHOUT FEATHER	VIS POUR POULIE SANS CLAVETTE	STIFT FUER RIEMENSCHIBE OHNE KEIL	1
8	81004396/0	COLTELLO ALETT. 41 CM	WINGS BLADE 42 CM	LAME À AILETTES 41 CM	PLUEGEL MESSER 41 CM	1
8A	8100434/0	COLTELLO STANDARD 41 CM	STANDARD BALDE 41 CM	LAME STNADARD 41 CM	STANDARD MESSER 41 CM	1
8B	81004397/0	COLTELLO ALETT. 46 CM	WINGS BLADE 46 CM	LAME À AILETTES 46 CM	PLUEGEL MESSER 46 CM	1
8C	81004346/0	COLTELLO STANDARD 46 CM	STANDARD BLADE 46 CM	LAME STANDARD 46 CM	STANDARD MESSER 46 CM	1
9	22463011/0	MOZZO (PP 62 Ø22,5)	HUB (P.T.O. 62 Ø22,5)	MOYEU (P.F. 62 Ø22,5)	HALTER (MW 62 Ø22,5)	1
9A	22463020/0	MOZZO (PP 62 Ø25)	HUB (P.T.O. 62 Ø25)	MOYEU (P.F. 62 Ø25)	HALTER (MW 62 Ø25)	1



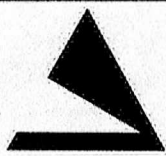
CASTEL GARDEN EQUIPMENT spa

I - 31033 CASTELFRANCO VENETO - ITALY
TF (0423) 493161 - TX 433359 GARDEN ITALY
FAX (0423) 498404

GN 71502717/1
Printed in Italy by TYP/O

Pos. Nr.	Codice Kodex Code	Descrizione	Description	Description	Beschreibung	Q.tà Q.ty Q.tè Menge
11	22160400/0	DISCO ELASTICO	ELASTIC WASHER	RONDELLE ELASTIQUE	STIFT	1
11A	12523080/0	RONDELLA	WASHER	RONDELLE	SCHEIBE	1
12	12735698/0	VITE (P.P. 62)	SCREW (P.T.O. 62)	VIS (P.F. 62)	SCHRAUBE (MW 62)	1
13	22600028/0	PARASSASSI	STONE GUARD	PARE-PIERRES	PRALLBLECH	1
14	22517906/0	PERNO	PIN	PIVOT	BOLZEN	1
15	22450420/0	MOLLA SX	L. SPRING	RESSORT G.	L. FEDER	1
16	22450410/0	MOLLA DX	W. SPRING	RESSORT D.	R. FEDER	1
17	81006512/0	PORTE INF. MANICO	LOWER HANDLE	PARTIE INF. MANCHERON	UNTERHOLM	1
18	22041955/0	BUSSOLA	BUSH	DOUILLE	BUCHSE	4
19	12792610/0	VITE	SCREW	VIS	SCHRAUBE	2
20	12793700/0	VITE	SCREW	VIS	SCHRAUBE	2
21	22399900/0	MANOPOLINA	KNOB	POIGNÉE	GRIFF	4
22	12293200/0	DADO	NUT	ECROU	MUTTER	4
23	12155000/0	DADO	NUT	ECROU	MUTTER	4
24	81006907/0	PORTE SUP. MANICO	UPPER HANDLE	PARTIE SUP. MANCHERON	OBERHOLM	2
25	12819201/0	VITE	SCREW	VIS	SCHRAUBE	2
26	22680006/1	RONDELLA	WASHER	GROWER	SCHEIBE	2
27	81007048/0	ASS. ACC. UNIVERSALE	THROTTLE	ENS. ACCELERATUER	UNIVERSELL-GASZUG	1
28	22120142/0	CRUSCOTTO (TR)	DASH BOARD (TR)	CONSOLE (TR)	KONSOLE (TR)	1
28A	22120143/0	CRUSCOTTO (TR/ES)	BASH BOARD (TR/ES)	CONSOLE (TR/ES)	KONSOLE (TR/ES)	1
29	12791400/0	VITE	SCREW	VIS	SCHRAUBE	2
30	12523040	RONDELLA	WASHER	GROWER	SCHEIBE	2
31	12521330/0	RONDELLA	WASHER	GROWER	SCHEIBE	2
32	12582100/0	GROWER	GROWER	GROWER	MUTTER	2
33	12292100/0	DADO	NUT	ECROU	MUTTER	2
34	22192000/1	FASCETTA ANCORAGGIO	ANCHOR CLAMP	BANDE ANCRAGE	BOWDENZUGHALTER	2
35*	18450050/0	INTERUTTORE	SWITCH	INTERRUPTEUR	SCHALTER	1
36*	18204190/0	ASS. CABLAGGIO	CABLES ASS'Y	ENS. CABLACE	KABEL SATZ	1
37*	18120050/0	BATTERIA	BATTERY	BATTERIE	BATTERIE	1
39	22517855/0	PERNO	PIN	PIVOT	BOLZEN	2
39A	12523000/0	RONDELLA	WASHER	GROWER	SCHEIBE	2
39B	12540020/0	RONDELLA	WASHER	GROWER	SCHEIBE	2
40*	18204110/0	CARICA BATTERIA	BATTERY	CHARGEUR DE BATTERIE	LADGERAET	1
41	81001218/1	LEVA TRAZIONE	DRIVING LEVER	LEVIER TRACTION	ANTRIEBHEBEL	1
42	22397000/0	MANOPOLA	KNOB	POIGNÉE	GRIF	1
43	81003279/0	LEVA	LEVIER	LEVIER	HEBEL	1
44	12788880/0	VITE	SCREW	VIS	SCHRAUBE	2
45	12154330/0	DADO	NUT	ECROU	MUTTER	2
46	12436050/0	PIASTRINA PER AST	PLATE	PLAQUETTE	PLAETTCHEN	2
47	22446180/0	MOLLA	SPRING	RESSORT	FEDER	1
48	81001244/0	ASTA (CL 434 TR)	ROD (CL 434 TR)	TIGE (CL 434 TR)	STANGE (CL 434 TR)	1
48A	81001246/1	ASTA (CL 484 TR - TR/E)	ROD (CL 484 TR - TR/E)	TIGE (CL 484 TR - TR/E)	STANGE (CL 484 TR - TR/E)	1
49	81001248/0	ASSE RUOTE ANT. (CL 434)	FRONT WHEELS AXLE (CL 434)	AXE ROUES AVANT (CL 434)	VORDERRAEDER ACHSE (CL 434)	1
49A	81001250/0	ASSE RUOTE ANT. (CL 484)	FRONT WHEELS AXLE (CL 484)	AXE ROUE ANTERIEURE (CL 484)	VORDERRAEDER ACHSE (CL 484)	1
50	81007292/0	RUOTA Ø170 GIALLA	YELLOW Ø170 WHEEL	ROUES Ø170 JAUNE	GELBES Ø170 RAD	2
50A	81007242/0	RUOTA Ø170 BIANCA	WHITE Ø170 WHEEL	ROUE Ø170 BLANCHE	WEISSES Ø170 RAD	2
51	22122200/0	CUSCINETTO	BEARING	COUSSINET	KUGELLAGER	4
52	12530150/0	RONDELLA ELASTICA	SPRING WASHER	RONDELLE ELASTIQUE	ELASTISCHE SCHEIBE	2
53	12521350/0	RONDELLA	WASHER	RONDELLE	SCHEIBE	2
54	12155000/0	DADO	NUT	ECROU	MUTTER	2
55	22110275/0	COPRIMOZZO	HUB CAP	COUVRE-MOYEU	RADKAPPE	2
56	12727791/0	VITE	SCREW	VIS	SCHRAUBE	1
57	22060170/0	CARTER (CL 434)	DECK (CL 434)	CHASSIS (CL 434)	GEHÄUSE (CL 434)	1
57A	22060180/0	CARTER (CL 484)	DECK (CL 484)	CHASSIS (CL 484)	GEHÄUSE (CL 484)	1
58	12788910/0	VITE	SCREW	VIS	SCHRAUBE	4
59	22545152/0	PIASTRINA	PLATE	PLAQUETTE	PLATTE	2
101	98004000/0	ASS. SACCO IN TELA	CANVASS GRASSCATCHER ASS'Y	ENSEMBLE SAC EN TOILE	KOMPLETTER SACK	1
102	81006408/0	TELAIO	CHASSIS	CHASSIS	RAHMEN	1
103	81002105/0	TELA SACCO	FABRIC BOX	TOILE POUR SAC	TUCK FUER SACK	1
111	98005000/0	SACCO COMPLETO	COMPLETE GRASS-BOX	BAC COMPLET	KOMPLETTER KORB	1
112	22486061/1	PORTE SUP. SACCO	UPPER GRASSBOX	PARTIE SUP. BAC	KORB OBERTEIL	1
113	22486060/0	PORTE INF. SACCO	LOWER GRASSBOX	PARTIE INF. BAC	KORB UNTERTEIL	1
114	22775170/1	SUPPORTO SACCO	SUPPORT FOR GRASSBOX	SUPPORT BAC	KORB HALTER	2
115	12789000/0	VITE	SCREW	VIS	SCHRAUBEN	4
116	12521540/0	RONDELLA	WASHER	RONDELLE	SCHEIBE	4
117	12154330/0	DADO	NUT	ECROU	MUTTER	4
118	22381900/0	MANIGLIA SACCO	GRASS CATCHER HANDLE	POIGNÉE BAC	KORBGRIF	1
119	12791400/0	VITE	SCREW	VIS	SCHRAUBEN	2
120	12523040/0	RONDELLA	WASHER	RONDELLE	SCHEIBE	2
121	12582100/0	GROWER	GROWER	GROWER	FEDERRING	2
122	12292100/0	DADO	NUT	ECROU	MUTTER	2
—	81008581/0	DOTAZIONE VITERIA (TR)	SCREWS OUTFIT (TR)	DOTATION VISSERIE (TR)	SCHRAUBEN SATZ (TR)	1
—	81008582/0	DOTAZIONE VITERIA (TR/E)	SCREWS OUTFIT (TR/E)	DOTATION VISSERIE (TR/E)	SCHRAUBEN SATZ (TR/E)	1
—	81008577/0	DOTAZIONE SACCO	GRASS-BOX OUTFIT	DOTATION BAC	KORBAUSSTATTUNG	1

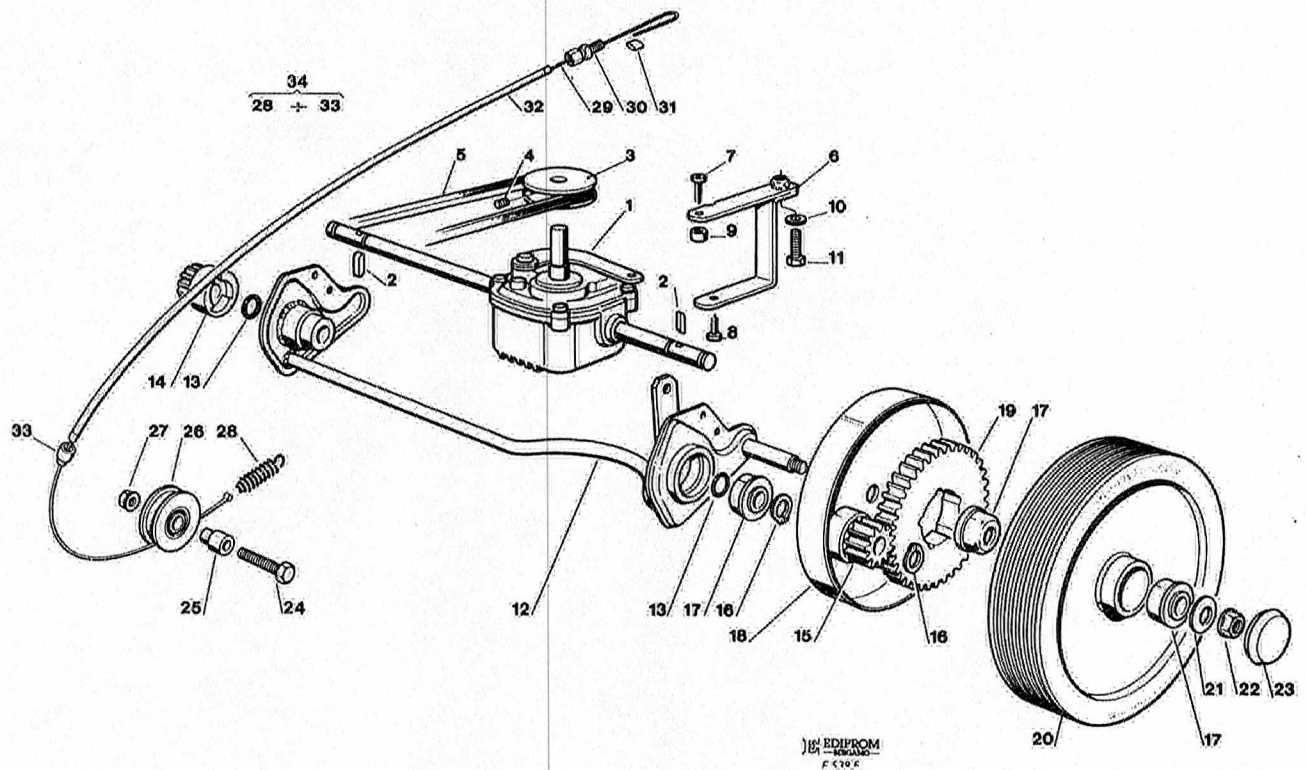
DOVENDO SOSTITUIRE IN GARANZIA LE PARTI CONTRASSEGNAE CON «*» RIVOLGERSI AL COSTRUTTORE DEL MOTORE.
 IF YOU HAVE TO CHANGE THE PIECES INDICATED WITH «*» ON WARRANTY YOU ADDRESS TO AFTER SALES SERVICE OF ENGINE MANUFACTURER.
 SI VOUS DEVEZ SUBSTITUER LES PIÉCES INDIQUÉES AVEC «*» SOUS GARANTIE VOUS DEVEZ VOUS ADRESSER AU SERVICE APRÈS VENTES DE LA MAISON CON-
 STRUCTRICE DU MOTEUR.
 BITTE WENDEN SIE SICH BEI GARANTIEREPARATUREN DER MIT «*» GEKENNZEICHNETEN TEILE AN DIE KUNDENDIENSTSTELLE DES MOTORHERSTELLER.



Le Club®

VISTE ESPLOSE
EXPLODED VIEWS
VUES ECLATEES
SPRENGZEICHNUNGEN

CL 434 TR
CL 484 TR
CL 484 TR-E 002



EDIPROM
F. 41015

Pos. Nr.	Codice Kodex Code	Descrizione	Description	Description	Beschreibung	Q.tà Q.ty Q.tè Menge
1	18652020/0	GRUPPO TRAZIONE	REAR DRIVE UNIT	GROUPE TRACTION	RIEMEN	1
2	22328600/1	LINGUETTA DI TRASCINAMENTO	DRIVING KEY	CLAVETTE	MITNEHMERLAPPEN	2
3	22601901/0	PULEGGIA 4 KM/H	PULLEY 4 KM/H	POULIE 4 KM/H	RIEMENSCHIEBE 4 KM/H	1
4	12714302/0	GRANO	DOWEL	VIS SANS TETE	STIFT	1
5	35063710/0	CINGHIA (Z 25 x CL 434 TR)	BELT (Z 25 x CL 434 TR)	COURROIE (Z 25 x CL 434 TR)	RIEMEN (Z 25 x CL 434 TR)	1
5A	35063800/0	CINGHIA (Z 27 x CL 484 TR)	BELT (Z 27 x CL 484 TR)	COURROIE (Z 27 x CL 484 TR)	RIEMEN (Z 27 x CL 484 TR)	1
6	81000959	SUPPORTO TRAZIONE	SUPPORT	SUPPORT	ANTRIEBHALTER	1
7	12728505/0	VITE	SCREW	VIS	SCHRAUBE	1
8	12728630/0	VITE	SCREW	VIS	SCHRAUBE	1
9	22170600/0	DISTANZIALE	SPACER	ENTRETOISE	ENTFERNUNGSSTK.	1
10	12523060/0	RONDELLA	WASHER	ECROU	SCHIEBE	1
11	12793850/0	VITE	SCREW	VIS	SCHRAUBE	1
12	81001252/0	ASSE RUOTE POST.	REAR WHEELS AXLE	AXE ROUES ARR.	HINTERRAEDER ACHSE	1
13	12019900/0	ANELLO OR	OR RING	BAGUE OR	RING	2
14	22570110/0	PIGNONE DX	RIGHT PINION	PIGNON DROITE	L. RITZEL	1
15	22570120/0	PIGNONE SX	LEFT PINION	PIGNON GAUCHE	R. RITZEL	1
16	12608600/0	SEEGER	SEEGER	SEEGER	SEEGER	4
17	22122200/0	CUSCINETTO	BEARING	ROULEMENT	KUEGELLAGER	6
18	81006846/0	PROTEZIONE RUOTE	WHEEL GUARD	PROTECTION ROUE	RAEDERSCHUTZ	2
19	22120105/1	CORONA	RING GEAR	COURONNE	KRANZ	2
20	81007238/1	RUOTA Ø210 GIALLA	YELLOW Ø210 WHEEL	ROUES Ø210 JAUNE	GELBES Ø120 RAD	2
20A	81007234/1	RUOTA Ø210 BIANCA	WHITE Ø210 WHEEL	ROUE Ø210 BLANCHE	WEISSES Ø210 RAD2	2
21	12369500/0	RONDELLA	WASHER	RONDELLE	SCHEIBE	2
22	12155000/0	DADO	NUT	ECROU	MUTTER	2
23	22110275/0	COPRIMOZZO	HUB COVER	COUVRE MOYEU	RADKAPPE	2
24	12691100/0	VITE	SCREW	VIS	SCHRAUBE	1
25	22170920/0	DISTANZIALE	SPACER	ENTRETOISE	ENTFERNUNGSSTK.	1
26	81003375/0	ASS. RUOTINO	ROLLER UNIT	ENS. ROULEMENT	KUEGELLAGER	1
27	12293201/0	DADO	NUT	ECROU	MUTTER	1
28	22450800/0	MOLLA	SPRING	RESSORT	FEDER	1
29	22206041/1	FILO BOWDEN	BOWDEN WIRE	FIL BOWDEN	BOWDEN KABEL	1
30	22604052/0	REGISTRO	ADJUSTER	ECROU REGISTRE	SCHRAUBENMUTTER	1
31	15407030/0	FASCETTA	CLIP	BANDE	KABELBAND	1
32	22265320/0	GUAINA BOWDEN	BOWDEN SHEAT	GAINE BOWDEN	BOWDENKABEL ABDECKUNG	1
33	13120101/0	BUSSOLA	BUSH	DOUILLE	MUELSE	1
34	81001083/0	ASS. COMANDO TRAZIONE	REAR DRIVE UNIT	ENS. GROUPE TRACTION	ANTRIEB	1