

Parts Catalogue

for model
T 480

- Use GLOBAL GARDEN PRODUCT Genuine Spare Parts specified in the parts list for repair and/or replacement.
- The contents described in the parts list may change due to improvement.
- The drawings of the spare parts are only indicative and might not represent the part in question exactly.
- The indications "right" - "left" - "front" - "rear" refer to the position of the operator when using the machine.
- When placing orders of parts for repair and/or replacement, make sure that the illustrated parts list is the one applying to the machine's year of manufacture, as shown on the identification plate attached to the machine.

© Copyright 2015 Global Garden Products

All content is subject to copyright by Global Garden Products and may not be reproduced in whole or in part by any means, electronic or otherwise, without prior written approval.

THIS INFORMATION IS NOT INTENDED FOR SALE OR RESALE, AND THIS NOTICE MUST REMAIN ON ALL COPIES.



Fig.	Quantity	Part No	Description	Notes
70	1	381000149/0	Rear Wheel Axle	
1	1	381001416/2	Red Deck	
2	3	112500070/0	Rivet	
3	1	322735535/0	Sector, Height Adjustment	
4	2	112728680/0	Screw	
5	2	112523020/0	Washer	
6	1	122060172/0	Belt Protection	
7	1	322735508/0	Sector, Height Adjustment	
8	2	381005102/0	Fixed Plate	
14	1	322484070/1	Heat Protection	
21	2	112728680/0	Screw	
22	4	112521350/0	Washer	
23	1	322600042/0	Handle Protection	
24	1	322600043/0	Handle Protection	
25	2	112691900/0	Screw	
26	2	118566110/0	Push Rod	
29	2	112819120/0	Screw	
30	2	122680006/1	Washer	
31	2	122399900/0	Knob	
32	2	112293200/0	Nut	
33	1	181008606/1	Outfit, Screws	
34	2	381006917/0	Handle Lower Part	
51	2	122400000/1	Knob	
52	1	322321502/1	Lever, Height Adjustment	
53	1	322321497/0	Lever, Height Adjustment	
54	1	112609260/0	Seeger	
55	1	122519510/0	Pin	
56	1	381001410/0	Front Wheel Axle	
57	1	122170950/0	Spacer	
58	2	112523060/0	Washer	
59	2	112155000/0	Nut	
60	2	112521350/0	Washer	
61	1	122519515/0	Pin	
62	2	112521350/0	Washer	
68	4	112735402/0	Screw	
69	2	322545152/0	Plate	
71	2	112530150/0	Spring Washer	

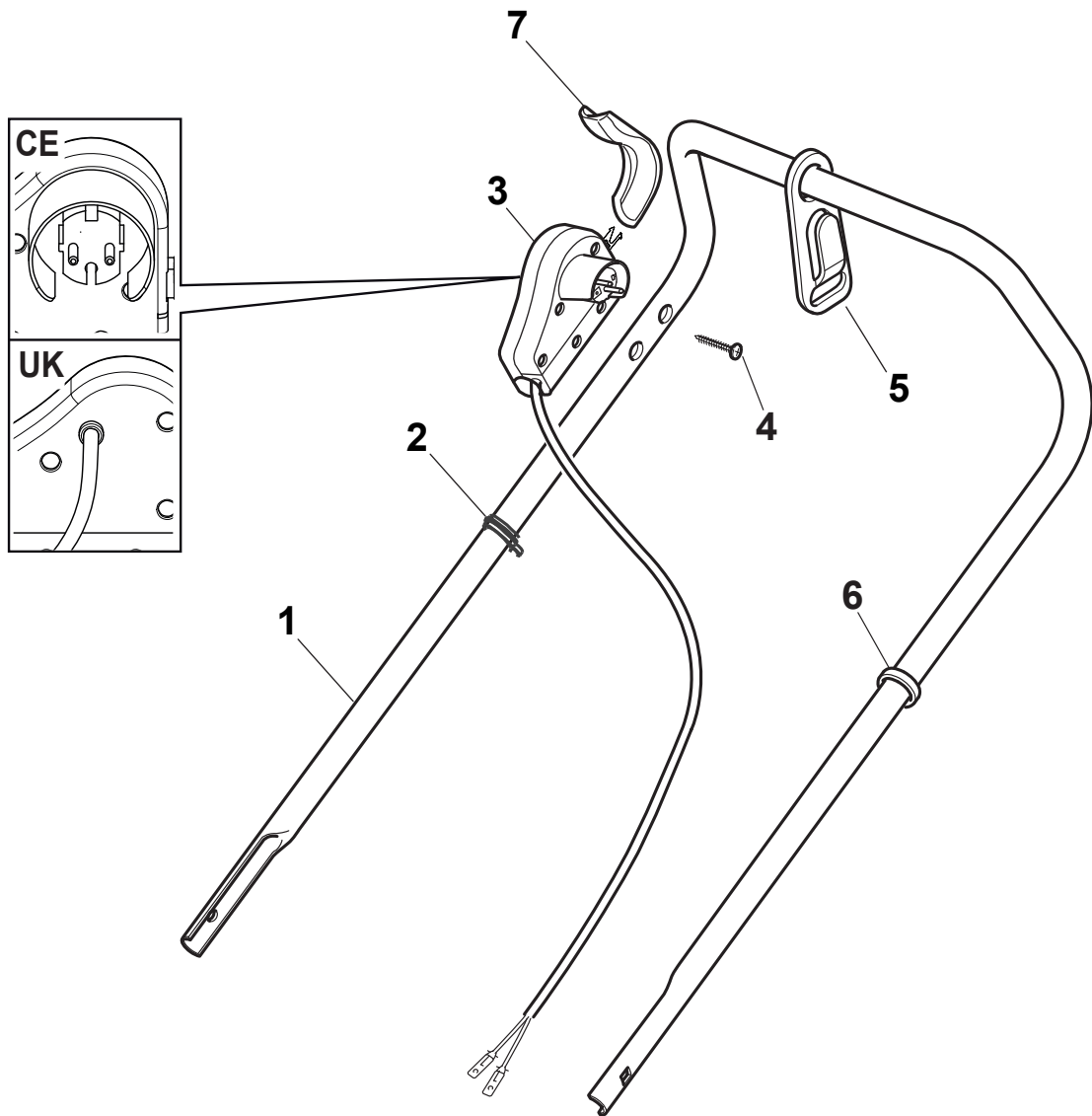


Fig.	Quantity	Part No	Description	Notes
1	1	381007017/2	Handle, Upper Part	
2	2	122192000/1	Clamp	
3	1	381600547/0	Dead Hand Switch CE	(CE)
3	1	381600548/0	Dead Hand Switch UK	(UK)
4	2	112728701/0	Screw	
5	1	322195101/4	Fairlead	
6	1	122192151/0	Fairlead Holder Clamp	
7	1	322319529/0	Leva Salvamotore	
CE	1	381600547/0	Dead Hand Switch CE	
UK	1	381600548/0	Dead Hand Switch UK	

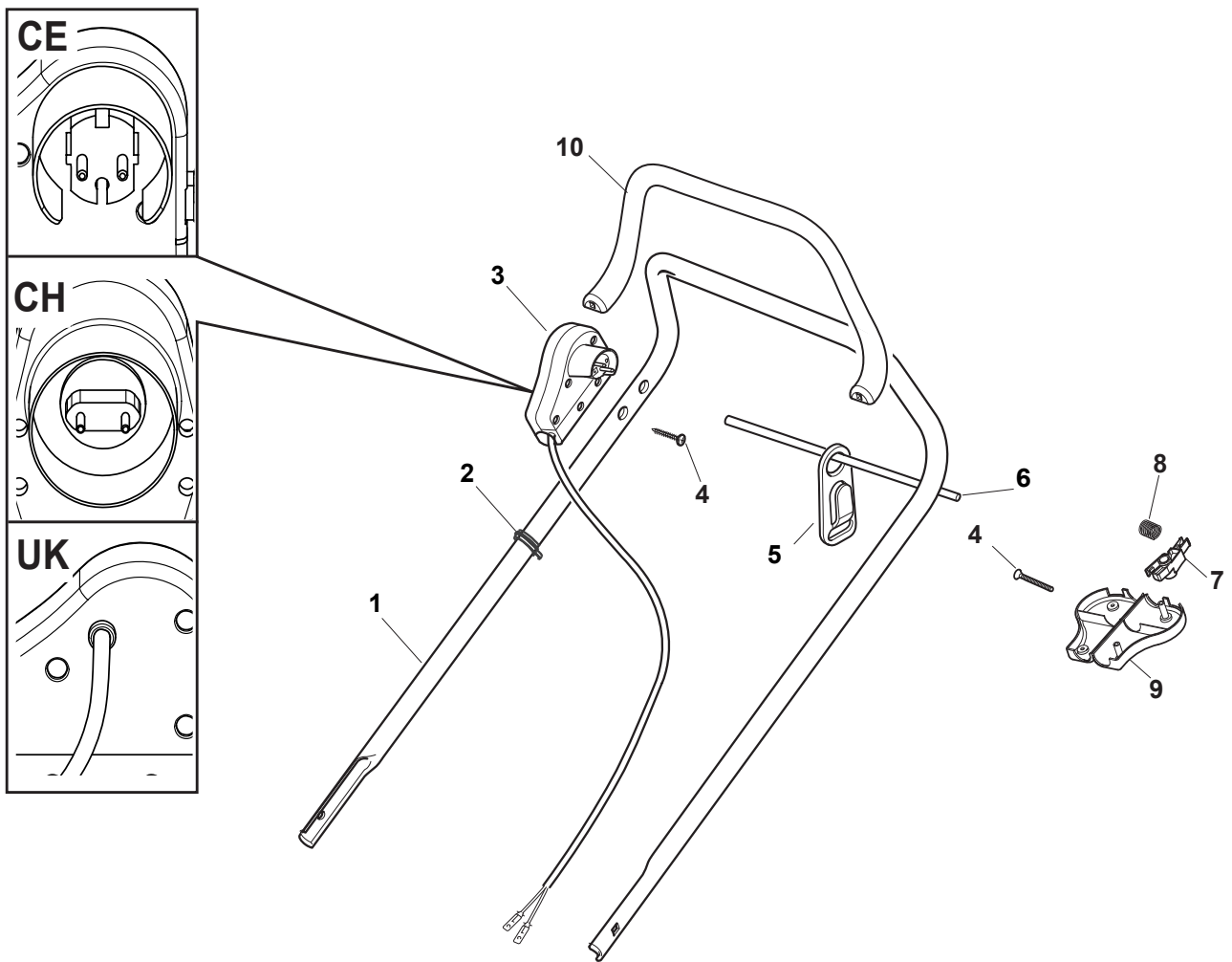


Fig.	Quantity	Part No	Description	Notes
3	1	381600548/0	Dead Hand Switch UK	(UK)
3	1	381600547/0	Dead Hand Switch CE	(CE)
1	1	381007017/2	Handle, Upper Part	
2	2	122192000/1	Clamp	
4	4	112728701/0	Screw	
5	1	322195101/4	Fairlead	
6	1	122010251/0	Hook	
7	1	322230350/1	Left Fulcrum	
8	1	122450115/0	Spring	
9	1	322785144/1	Support	
10	1	322322881/1	Lever, Engine Brake Black	
10	1	322322884/1	Lever, Engine Brake Red	
10	1	322322885/1	Lever, Engine Brake Yellow	
99	1	381600547/0	Dead Hand Switch CE	
99	1	381600548/0	Dead Hand Switch UK	

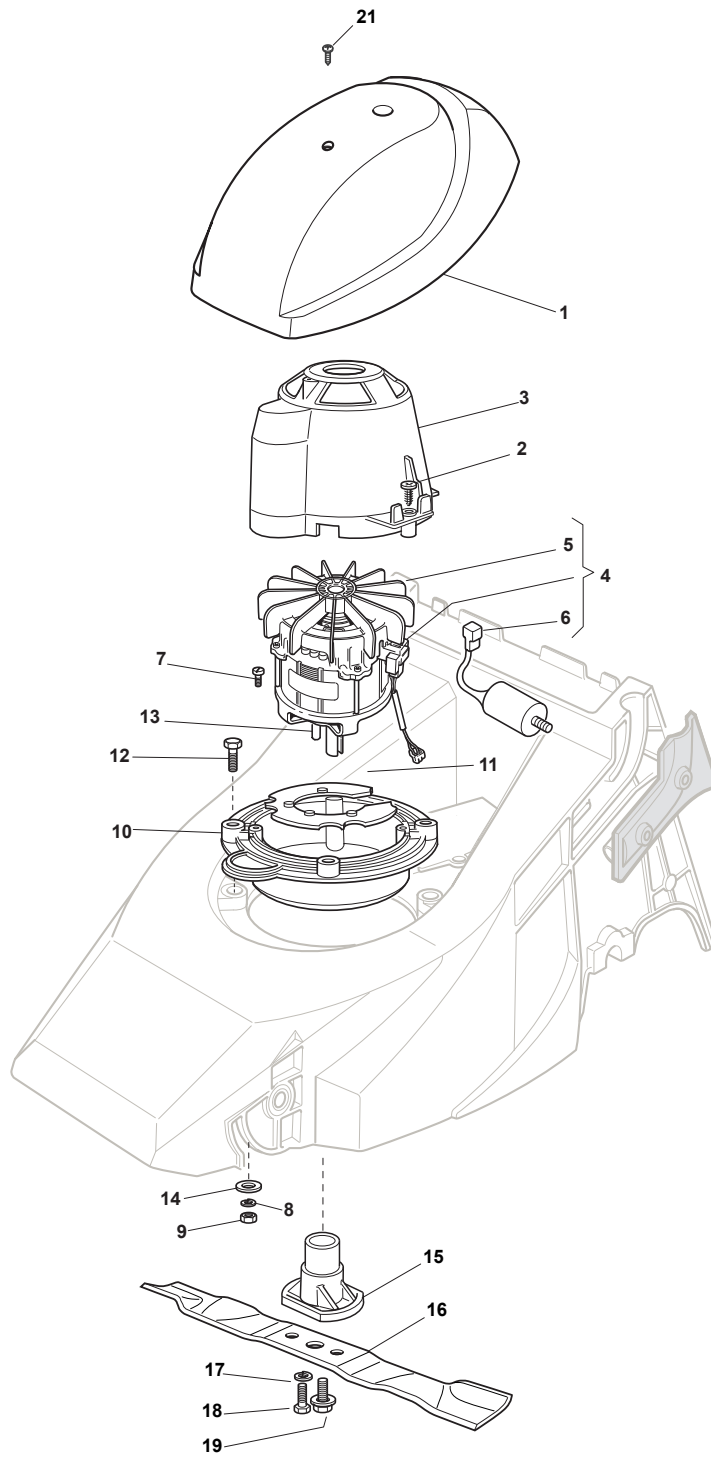


Fig.	Quantity	Part No	Description	Notes
4	1	118563686/0	Electric Motor 1300W	Atb 230V (1600W)
1	1	122055033/1	Engine Cover	
2	1	322785061/1	Support, Cover	
3	4	112728710/0	Screw	
4	1	118563605/0	Electric Motor 1600W	230V (1600W)
4	1	118563665/0	Electric Motor 1600W	Leo 230V (1600W)
5	1	118740051/0	Fan	RST
5	1	118740054/0	Fan Motor Atb	Atb
6	1	118222038/0	Condenser	RST - HLT
6	1	118222045/0	Condenser 16 µf	Atb
7	4	112735410/0	Screw	
8	4	112583500/0	Grower	
9	4	112293200/0	Nut	
10	1	322207202/2	Flange	
11	1	322720360/2	Ventilation Screen	
12	4	112691600/0	Screw	
13	1	112139440/0	Key	
14	4	112523070/0	Washer	
15	1	322463187/3	Blade Hub	
16	1	181004346/3	Blade	
16	1	181004397/0	Blade Winged	
17	2	112583500/0	Grower	
18	1	112793101/0	Screw	
19	1	381004353/1	Screw	
21	2	112728680/0	Screw	

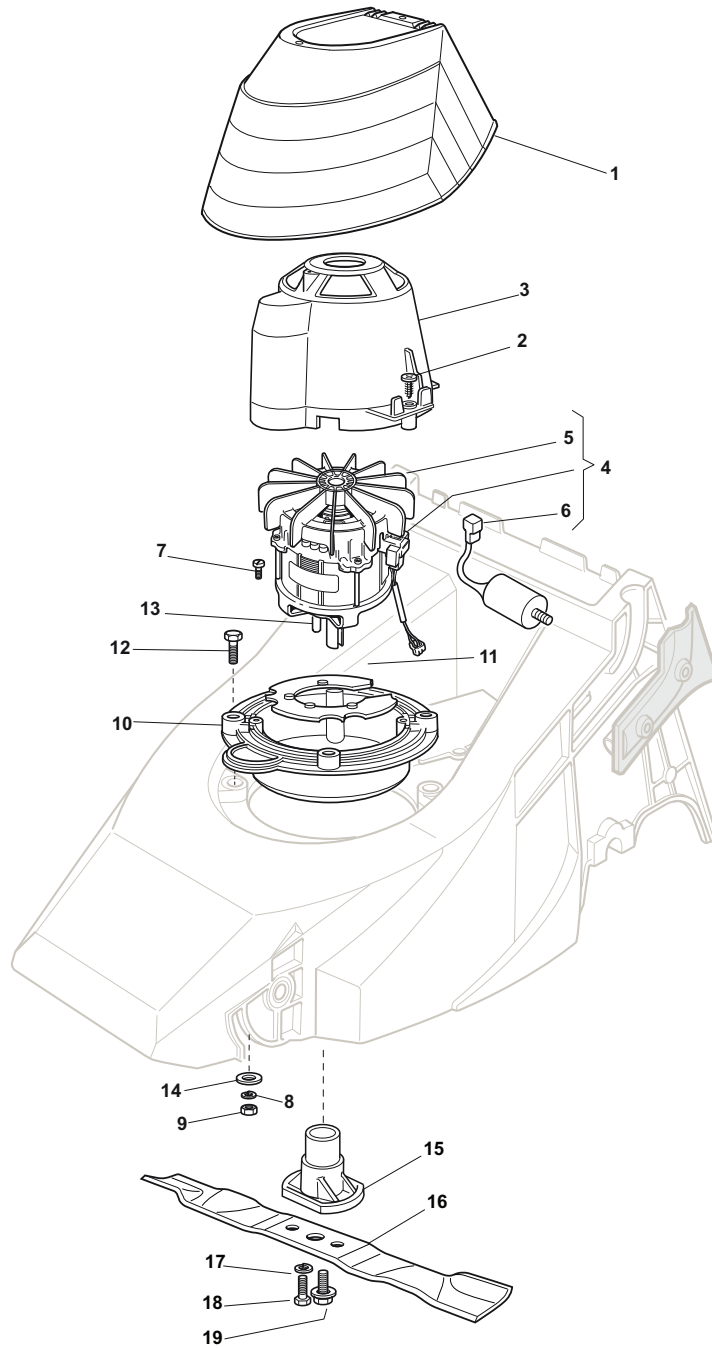


Fig.	Quantity	Part No	Description	Notes
4	1	118563686/0	Electric Motor 1300W	Atb 230V (1600W)
1	1	122055033/1	Engine Cover	
2	1	322785061/1	Support, Cover	
3	4	112728710/0	Screw	
4	1	118563605/0	Electric Motor 1600W	230V (1600W)
4	1	118563665/0	Electric Motor 1600W	Leo 230V (1600W)
5	1	118740051/0	Fan	RST
5	1	118740054/0	Fan Motor Atb	Atb
6	1	118222038/0	Condenser	RST - HLT
6	1	118222045/0	Condenser 16 µf	Atb
7	4	112735410/0	Screw	
8	4	112583500/0	Grower	
9	4	112293200/0	Nut	
10	1	322207202/2	Flange	
11	1	322720360/2	Ventilation Screen	
12	4	112691600/0	Screw	
13	1	112139440/0	Key	
14	4	112523070/0	Washer	
15	1	322463187/3	Blade Hub	
16	1	181004346/3	Blade	
16	1	181004397/0	Blade Winged	
16	1	81004346/2	Blade	
17	2	112583500/0	Grower	
18	1	112793101/0	Screw	
19	1	381004353/1	Screw	

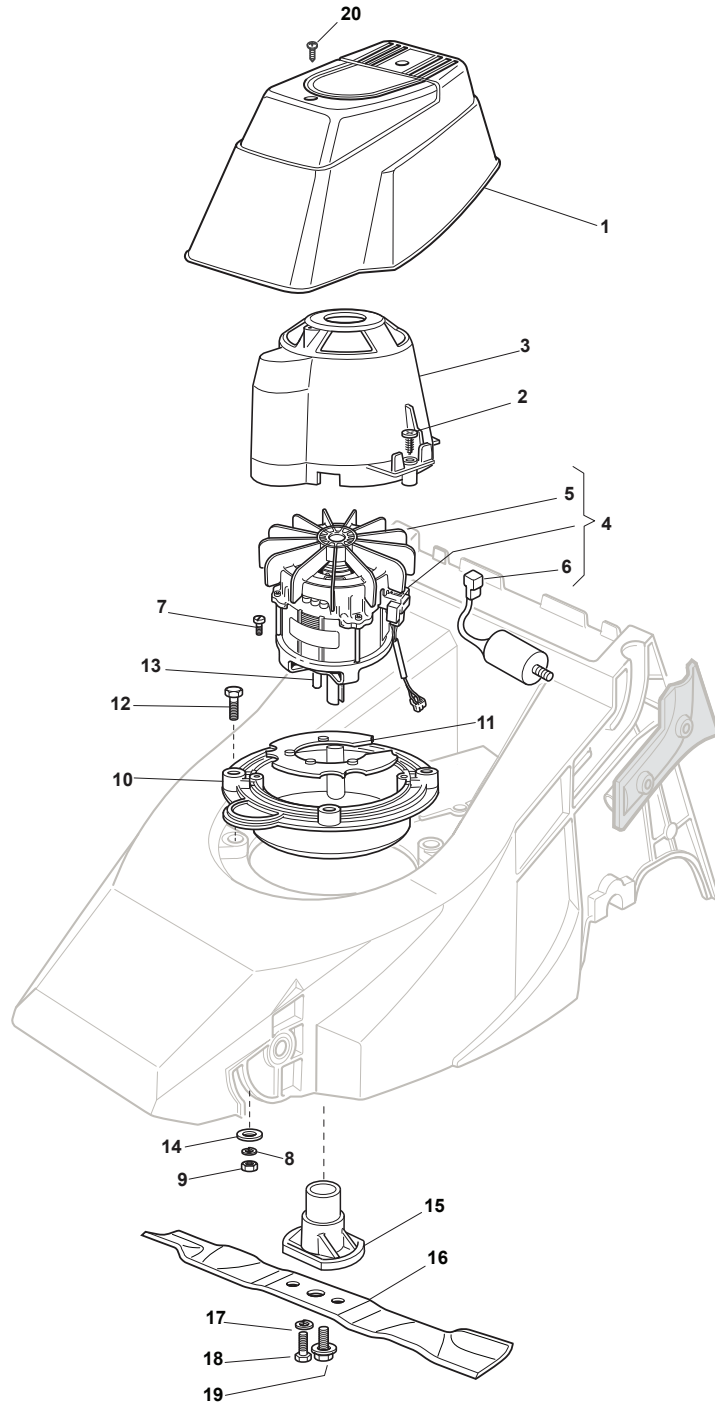


Fig.	Quantity	Part No	Description	Notes
4	1	118563686/0	Electric Motor 1300W	Atb 230V (1600W)
1	1	122055045/1	Cover, Black	
2	1	322785061/1	Support, Cover	
3	4	112728710/0	Screw	
4	1	118563605/0	Electric Motor 1600W	230V (1600W)
4	1	118563665/0	Electric Motor 1600W	Leo 230V (1600W)
5	1	118740051/0	Fan	RST
5	1	118740054/0	Fan Motor Atb	Atb
6	1	118222038/0	Condenser	RST - HLT
6	1	118222045/0	Condenser 16 µf	Atb
7	4	112735410/0	Screw	
8	4	112583500/0	Grower	
9	4	112293200/0	Nut	
10	1	322207202/2	Flange	
11	1	322720360/2	Ventilation Screen	
12	4	112691600/0	Screw	
13	1	112139440/0	Key	
14	4	112523070/0	Washer	
15	1	322463187/3	Blade Hub	
16	1	181004346/3	Blade	
16	1	181004397/0	Blade Winged	
16	1	81004346/2	Blade	
17	2	112583500/0	Grower	
18	1	112793101/0	Screw	
19	1	381004353/1	Screw	
20	1	112728680/0	Screw	

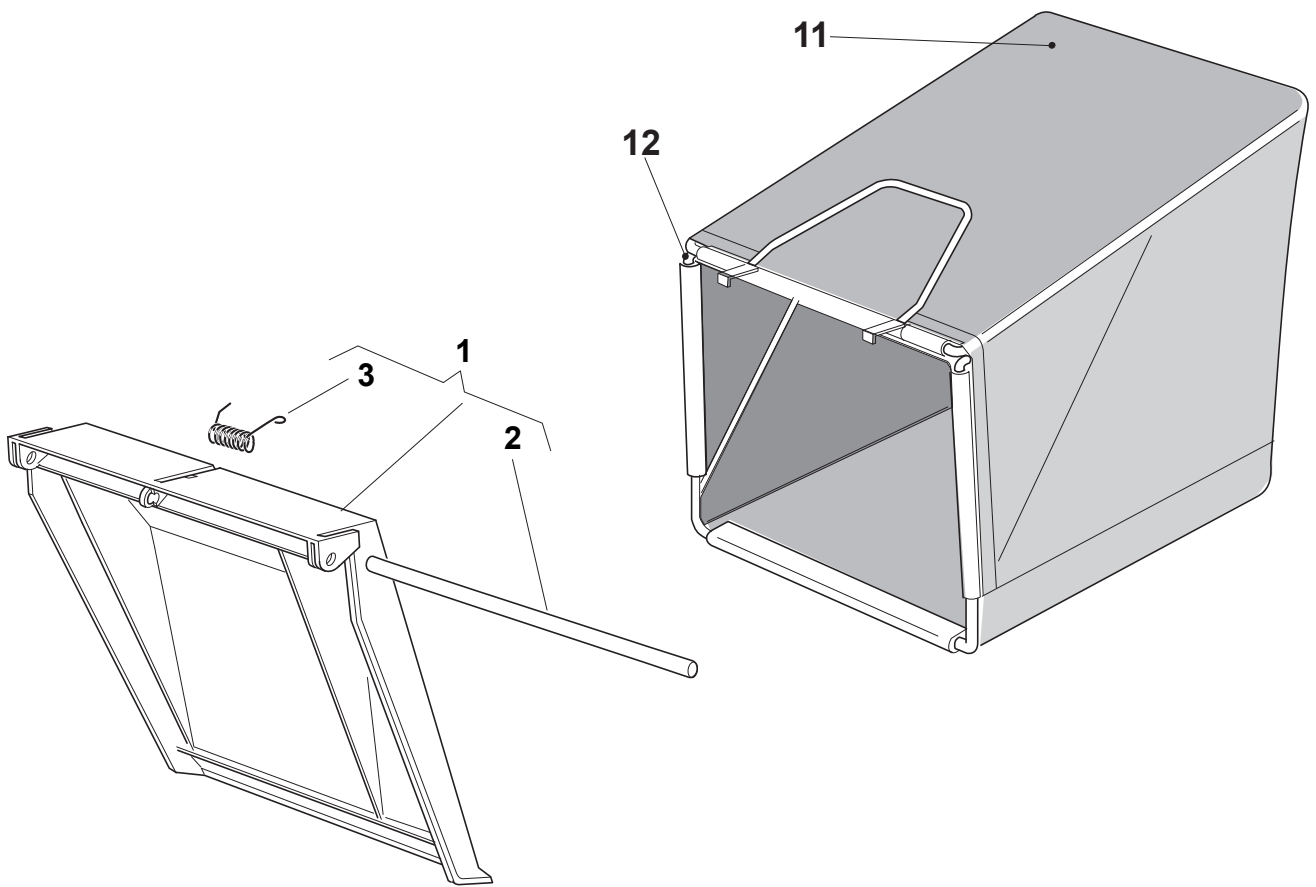


Fig.	Quantity	Part No	Description	Notes
1	1	381008044/0	Stone Guard	Black
2	1	122517907/0	Fulcrum Pin	
3	1	122450270/0	Spring	
11	1	181002124/1	Black Fabric Box	
12	1	181006430/0	Fabric Box Frame	

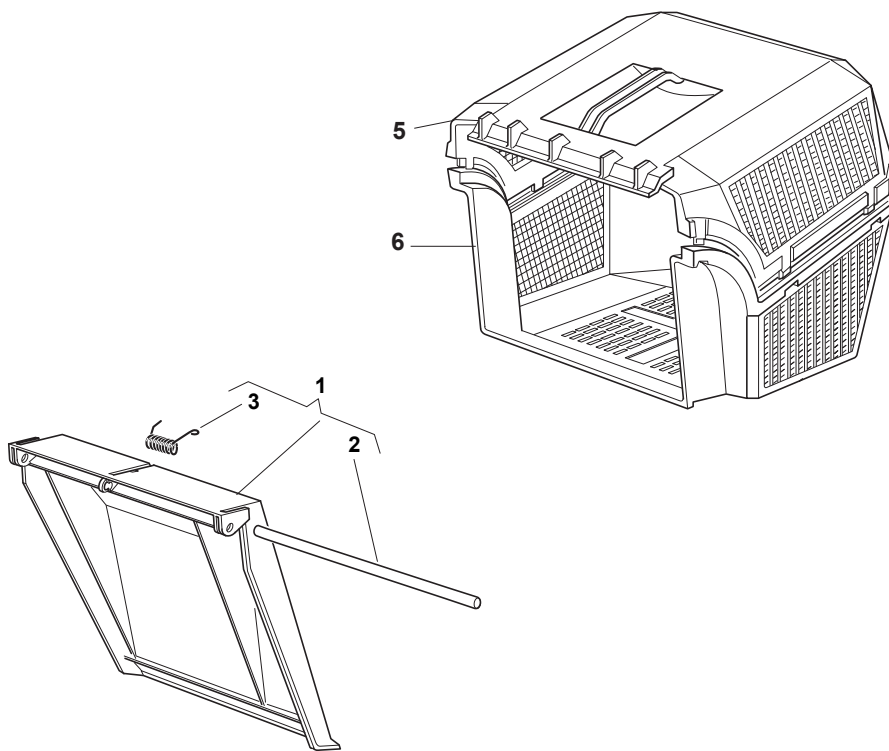


Fig.	Quantity	Part No	Description	Notes
1	1	381008044/0	Stone Guard	Black
2	1	122517907/0	Fulcrum Pin	
3	1	122450270/0	Spring	
5	1	122486065/0	Box, Upper Side	
6	1	122486064/0	Lower Box	

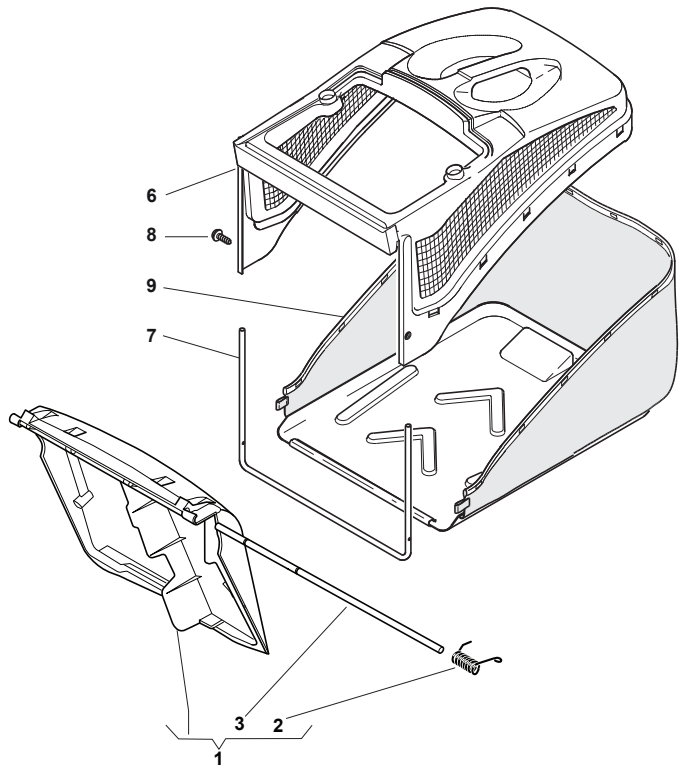


Fig.	Quantity	Part No	Description	Notes
1	1	381008042/0	Stone Guard	Black
2	1	122451000/0	Spring	
3	1	122517907/0	Fulcrum Pin	
6	1	122486094/0	Box, Upper Side	
7	1	122608524/0	Lower Stiffening	
8	2	112728445/0	Screw	
9	1	181002196/0	Box, Fabric	

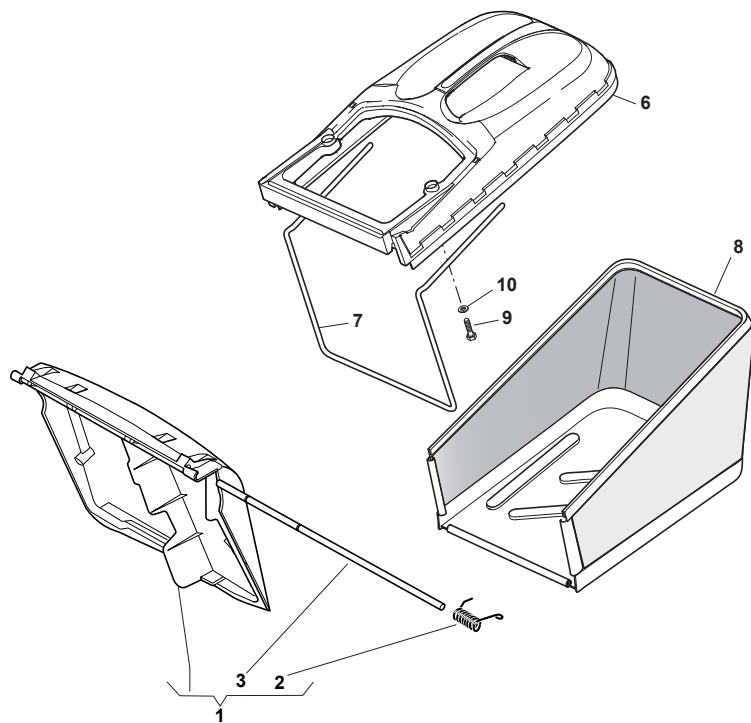


Fig.	Quantity	Part No	Description	Notes
1	1	381008042/0	Stone Guard	Black
2	1	122451000/0	Spring	Black
3	1	122517857/0	Pin	
6	1	322486102/0	Fabrix/Plastic Grassc. Upper P	
7	1	122608526/0	Grasscatch. Lower Stiffening A	
8	1	181002212/0	Box, Fabric	
9	2	112728680/0	Screw	
10	2	112523050/0	Washer	

81004346/2	16	1	p. 11	118566110/0	26	2	p. 3	322720360/2	11	1	p. 9
81004346/2	16	1	p. 13	118740051/0	5	1	p. 9	322720360/2	11	1	p. 11
112139440/0	13	1	p. 9	118740051/0	5	1	p. 11	322720360/2	11	1	p. 13
112139440/0	13	1	p. 11	118740051/0	5	1	p. 13	322735508/0	7	1	p. 3
112139440/0	13	1	p. 13	118740054/0	5	1	p. 9	322735535/0	3	1	p. 3
112155000/0	59	2	p. 3	118740054/0	5	1	p. 11	322785061/1	2	1	p. 9
112293200/0	9	4	p. 9	118740054/0	5	1	p. 13	322785061/1	2	1	p. 11
112293200/0	9	4	p. 11	122010251/0	6	1	p. 7	322785061/1	2	1	p. 13
112293200/0	9	4	p. 13	122055033/1	1	1	p. 9	322785144/1	9	1	p. 7
112293200/0	32	2	p. 3	122055033/1	1	1	p. 11	381000149/0	70	1	p. 3
112500070/0	2	3	p. 3	122055045/1	1	1	p. 13	381001410/0	56	1	p. 3
112521350/0	22	4	p. 3	122060172/0	6	1	p. 3	381001416/2	1	1	p. 3
112521350/0	60	2	p. 3	122170950/0	57	1	p. 3	381004353/1	19	1	p. 9
112521350/0	62	2	p. 3	122192000/1	2	2	p. 5	381004353/1	19	1	p. 11
112523020/0	5	2	p. 3	122192000/1	2	2	p. 7	381004353/1	19	1	p. 13
112523050/0	10	2	p. 21	122192151/0	6	1	p. 5	381005102/0	8	2	p. 3
112523060/0	58	2	p. 3	122399900/0	31	2	p. 3	381006917/0	34	2	p. 3
112523070/0	14	4	p. 9	122400000/1	51	2	p. 3	381007017/2	1	1	p. 5
112523070/0	14	4	p. 11	122450115/0	8	1	p. 7	381007017/2	1	1	p. 7
112523070/0	14	4	p. 13	122450270/0	3	1	p. 15	381008042/0	1	1	p. 19
112530150/0	71	2	p. 3	122450270/0	3	1	p. 17	381008042/0	1	1	p. 21
112583500/0	8	4	p. 9	122451000/0	2	1	p. 19	381008044/0	1	1	p. 15
112583500/0	8	4	p. 11	122451000/0	2	1	p. 21	381008044/0	1	1	p. 17
112583500/0	8	4	p. 13	122486064/0	6	1	p. 17	381600505/3	3	1	p. 7
112583500/0	17	2	p. 9	122486065/0	5	1	p. 17	381600547/0	3	1	p. 5
112583500/0	17	2	p. 11	122486094/0	6	1	p. 19	381600547/0	3	1	p. 7
112583500/0	17	2	p. 13	122517857/0	3	1	p. 21	381600547/0	99	1	p. 7
112609260/0	54	1	p. 3	122517907/0	2	1	p. 15	381600547/0	CE	1	p. 5
112691600/0	12	4	p. 9	122517907/0	2	1	p. 17	381600548/0	3	1	p. 5
112691600/0	12	4	p. 11	122517907/0	3	1	p. 19	381600548/0	3	1	p. 7
112691600/0	12	4	p. 13	122519510/0	55	1	p. 3	381600548/0	99	1	p. 7
112691900/0	25	2	p. 3	122519515/0	61	1	p. 3	381600548/0	UK	1	p. 5
112728445/0	8	2	p. 19	122608524/0	7	1	p. 19				
112728680/0	4	2	p. 3	122608526/0	7	1	p. 21				
112728680/0	9	2	p. 21	122680006/1	30	2	p. 3				
112728680/0	20	1	p. 13	181002124/1	11	1	p. 15				
112728680/0	21	2	p. 3	181002196/0	9	1	p. 19				
112728680/0	21	2	p. 9	181002212/0	8	1	p. 21				
112728701/0	4	2	p. 5	181004346/3	16	1	p. 9				
112728701/0	4	4	p. 7	181004346/3	16	1	p. 11				
112728710/0	3	4	p. 9	181004346/3	16	1	p. 13				
112728710/0	3	4	p. 11	181004397/0	16	1	p. 9				
112728710/0	3	4	p. 13	181004397/0	16	1	p. 11				
112735402/0	68	4	p. 3	181004397/0	16	1	p. 13				
112735410/0	7	4	p. 9	181006430/0	12	1	p. 15				
112735410/0	7	4	p. 11	181008606/1	33	1	p. 3				
112735410/0	7	4	p. 13	322195101/4	5	1	p. 5				
112793101/0	18	1	p. 9	322195101/4	5	1	p. 7				
112793101/0	18	1	p. 11	322207202/2	10	1	p. 9				
112793101/0	18	1	p. 13	322207202/2	10	1	p. 11				
112819120/0	29	2	p. 3	322207202/2	10	1	p. 13				
118222038/0	6	1	p. 9	322230350/1	7	1	p. 7				
118222038/0	6	1	p. 11	322319529/0	7	1	p. 5				
118222038/0	6	1	p. 13	322321497/0	53	1	p. 3				
118222045/0	6	1	p. 9	322321502/1	52	1	p. 3				
118222045/0	6	1	p. 11	322322881/1	10	1	p. 7				
118222045/0	6	1	p. 13	322322884/1	10	1	p. 7				
118563605/0	4	1	p. 9	322322885/1	10	1	p. 7				
118563605/0	4	1	p. 11	322463187/3	15	1	p. 9				
118563605/0	4	1	p. 13	322463187/3	15	1	p. 11				
118563665/0	4	1	p. 9	322463187/3	15	1	p. 13				
118563665/0	4	1	p. 11	322484070/1	14	1	p. 3				
118563665/0	4	1	p. 13	322486102/0	6	1	p. 21				
118563686/0	4	1	p. 9	322545152/0	69	2	p. 3				
118563686/0	4	1	p. 11	322600042/0	23	1	p. 3				
118563686/0	4	1	p. 13	322600043/0	24	1	p. 3				