

# Parts Catalogue

for model  
**TU 504 TR/E-R 4S**

- Use GLOBAL GARDEN PRODUCT Genuine Spare Parts specified in the parts list for repair and/or replacement.
- The contents described in the parts list may change due to improvement.
- The drawings of the spare parts are only indicative and might not represent the part in question exactly.
- The indications "right" - "left" - "front" - "rear" refer to the position of the operator when using the machine.
- When placing orders of parts for repair and/or replacement, make sure that the illustrated parts list is the one applying to the machine's year of manufacture, as shown on the identification plate attached to the machine.

© Copyright 2015 Global Garden Products

All content is subject to copyright by Global Garden Products and may not be reproduced in whole or in part by any means, electronic or otherwise, without prior written approval.

THIS INFORMATION IS NOT INTENDED FOR SALE OR RESALE, AND THIS NOTICE MUST REMAIN ON ALL COPIES.



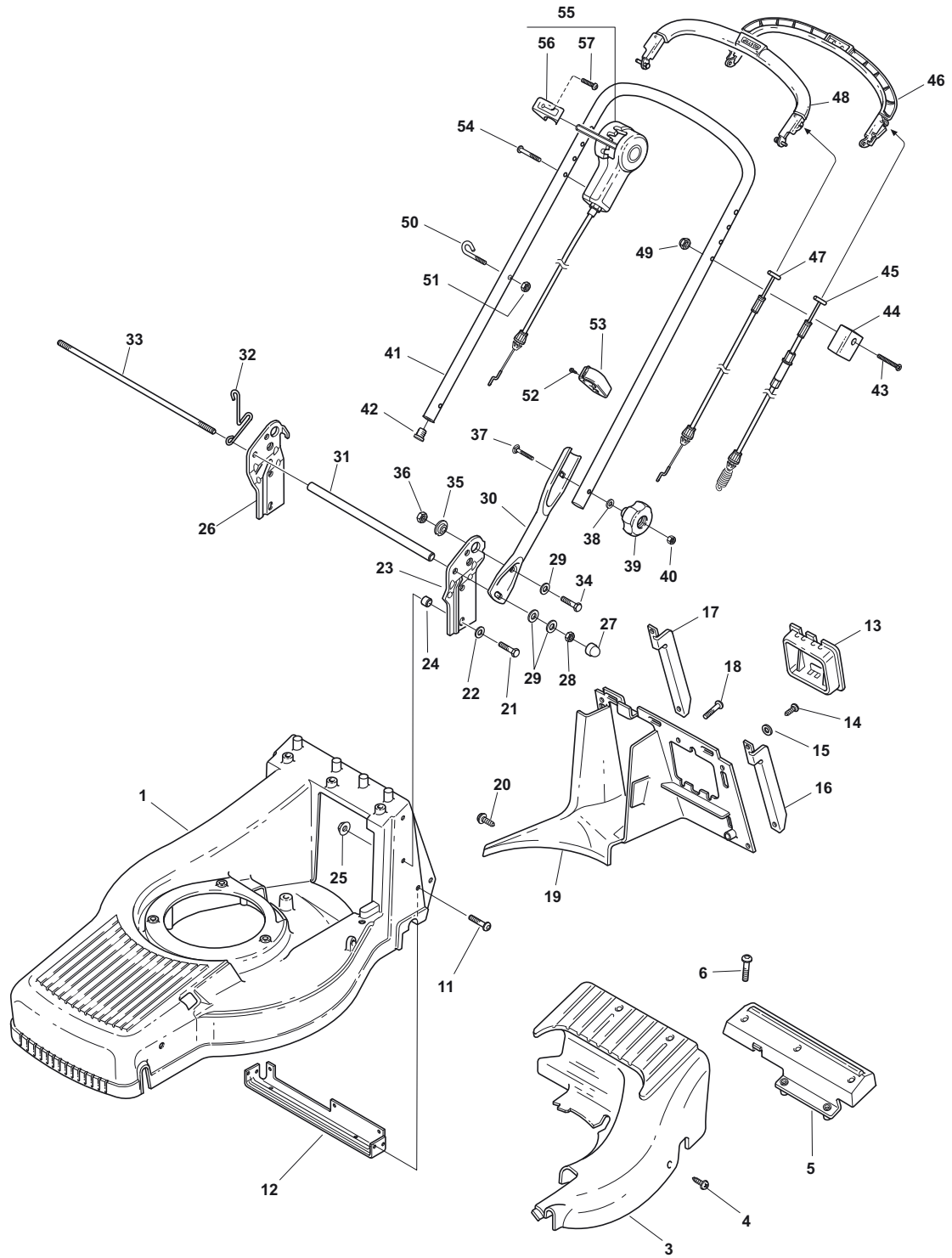
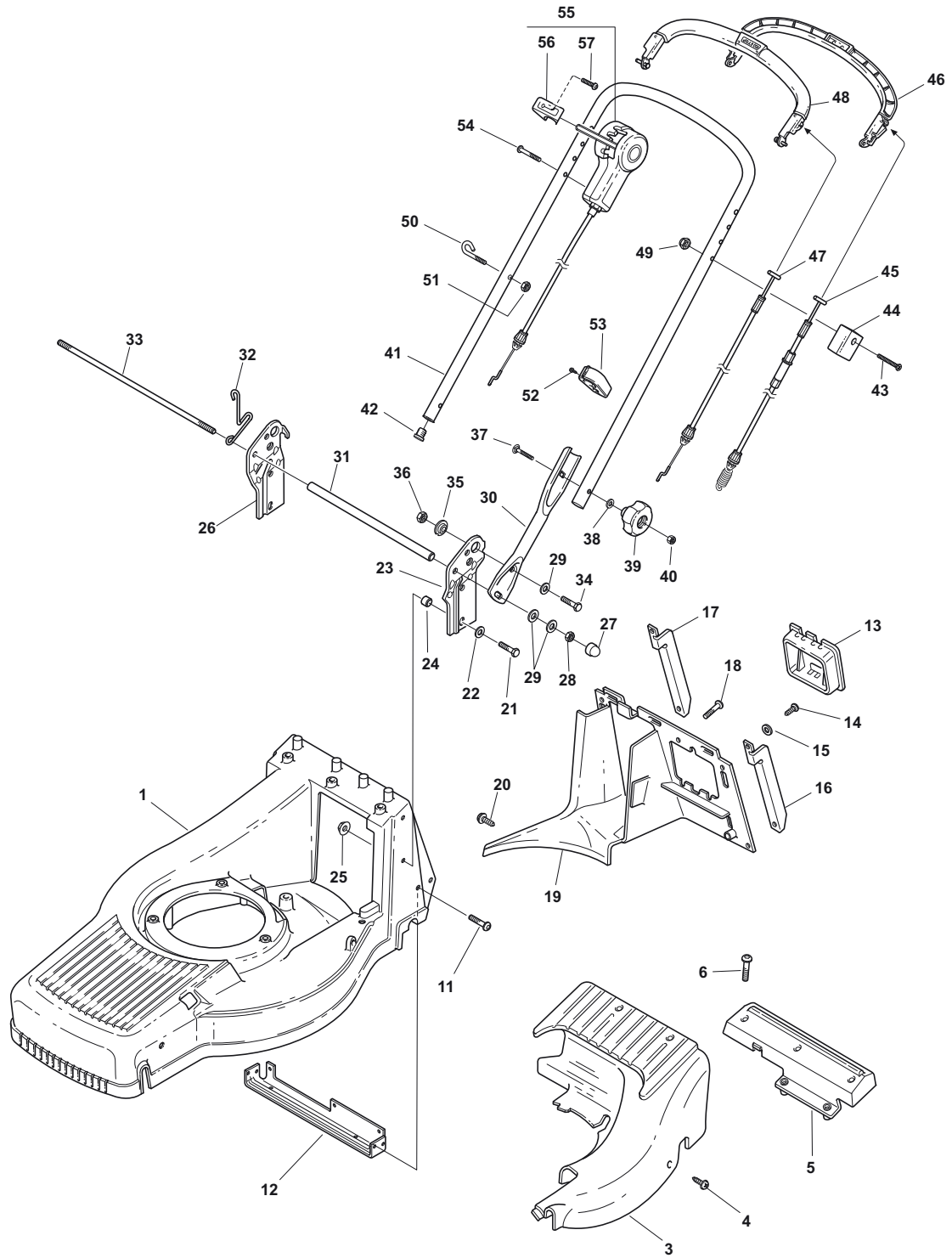


Fig.	Quantity	Part No	Description	Notes
1	1	381002659/0	Red Deck	
3	1	322060153/1	Wheels Rod Carter Red	
4	3	112728300/0	Screw	
5	1	322785164/0	Stone-Guard Support	
6	3	112735664/0	Screw	
11	4	112735592/0	Screw	
12	1	322608521/0	Rear Stiffening	
13	1	322109531/0	Battery Cover	
14	5	112728124/0	Screw	
15	3	112523040/0	Washer	
16	1	322775183/0	Bracket, Left	
17	1	322775185/0	Bracket, Right	
18	1	112735664/0	Screw	
19	1	322108278/0	Rear Conveyor Assy	
20	1	112728300/0	Screw	
21	4	112793102/0	Screw	
22	4	112521350/0	Washer	
23	1	322778411/0	Bracket, Left	
24	2	122041959/0	Bushing	
25	4	112293201/0	Nut	
26	1	322778413/0	Right Bracket	
27	2	118203854/0	Screw	
28	2	112293200/0	Nut	
29	6	112523060/0	Washer	
30	2	381006614/0	Handle Lower Part	
31	1	322869711/0	Spacer Tube	
32	1	122430312/0	Guide Spring	
33	1	122517702/0	Fulcrum Pin	
34	2	112793301/0	Screw	
35	2	322041955/0	Bushing	
36	2	112293200/0	Nut	
37	2	112819110/0	Screw	
38	2	122680006/1	Washer	
39	2	322399804/1	Nut	
40	2	112293200/0	Nut	
41	1	381006619/1	Handle, Upper Part	
42	2	118566110/0	Push Rod	
43	1	112727786/0	Screw	
44	1	322551640/0	Plate	
45	1	381000697/0	Cable Rear Drive	
46	1	381003297/1	Driving Lever	
47	1	181000686/0	Cable, Thread Engine Brake	B&S 450/500 Series
47	1	181000687/0	Cable, Thread Engine Brake	Honda Engine
47	1	181000688/0	Cable, Thread Engine Brake	GGP Engine
47	1	181000777/0	Cable, Thread Engine Brake	SV40-RV 40-V35 Engine / B&S Engine
48	1	381003298/1	Lever, Engine Brake	
49	1	112154510/0	Nut	
50	1	122430313/0	Guide Spring	
51	1	112292100/0	Nut	
52	3	112728691/0	Screw	
53	3	322192001/0	Clamp	



# TU 504 TR/E-R 4S

WBH Petrol Aluminium Chassis/Handle, Upper Part

Issue 7 - 2015

Fig.	Quantity	Part No	Description	Notes
54	2	112728702/0	Screw	
55	1	381007097/0	Cable, Speed Drive Control	
56	1	322399809/0	Knob	
57	2	112728300/0	Screw	

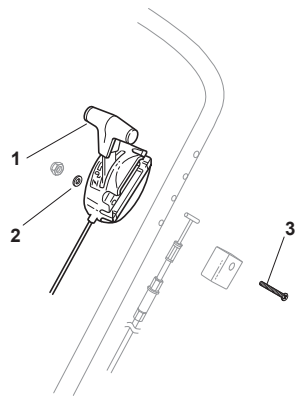


Fig.	Quantity	Part No	Description	Notes
1	1	181007126/0	Throttle Cable	for Honda Engine
1	1	181007127/1	Throttle Cable	for B&S Engine CAPRO
1	1	181007128/0	Throttle Cable	for GGP and B&S Engine DELUXE
2	1	112523040/0	Washer	
3	1	112727787/0	Screw	

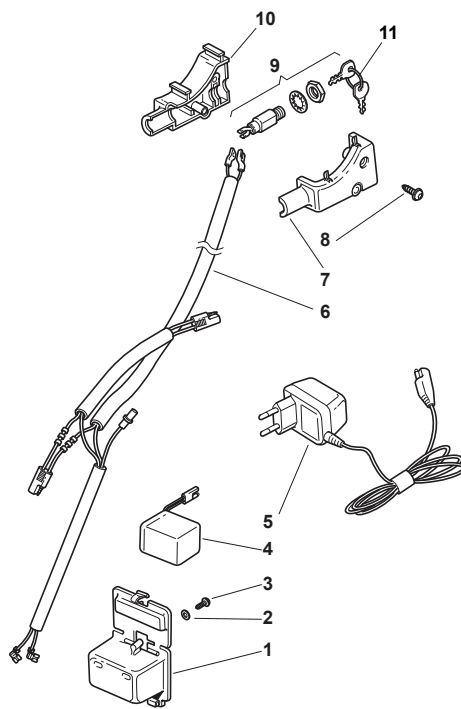




Fig.	Quantity	Part No	Description	Notes
1	1	322109533/0	Battery Holder	
2	1	112523040/0	Washer	
3	1	112728691/0	Screw	
4	1	118120052/0	Battery	
5	1	118204120/0	Battery Charger	(CE)
5	1	118204121/0	Battery Charger	(UK)
6	1	118204195/0	Starting Cable	
7	1	322722805/1	Starting Block Inner Half-Bearing	
8	1	112728300/0	Screw	
9	1	118450051/0	Switch	
10	1	322722804/1	Starting Block Inner Half-Bearing	
11	1	118210016/1	Starting Key	

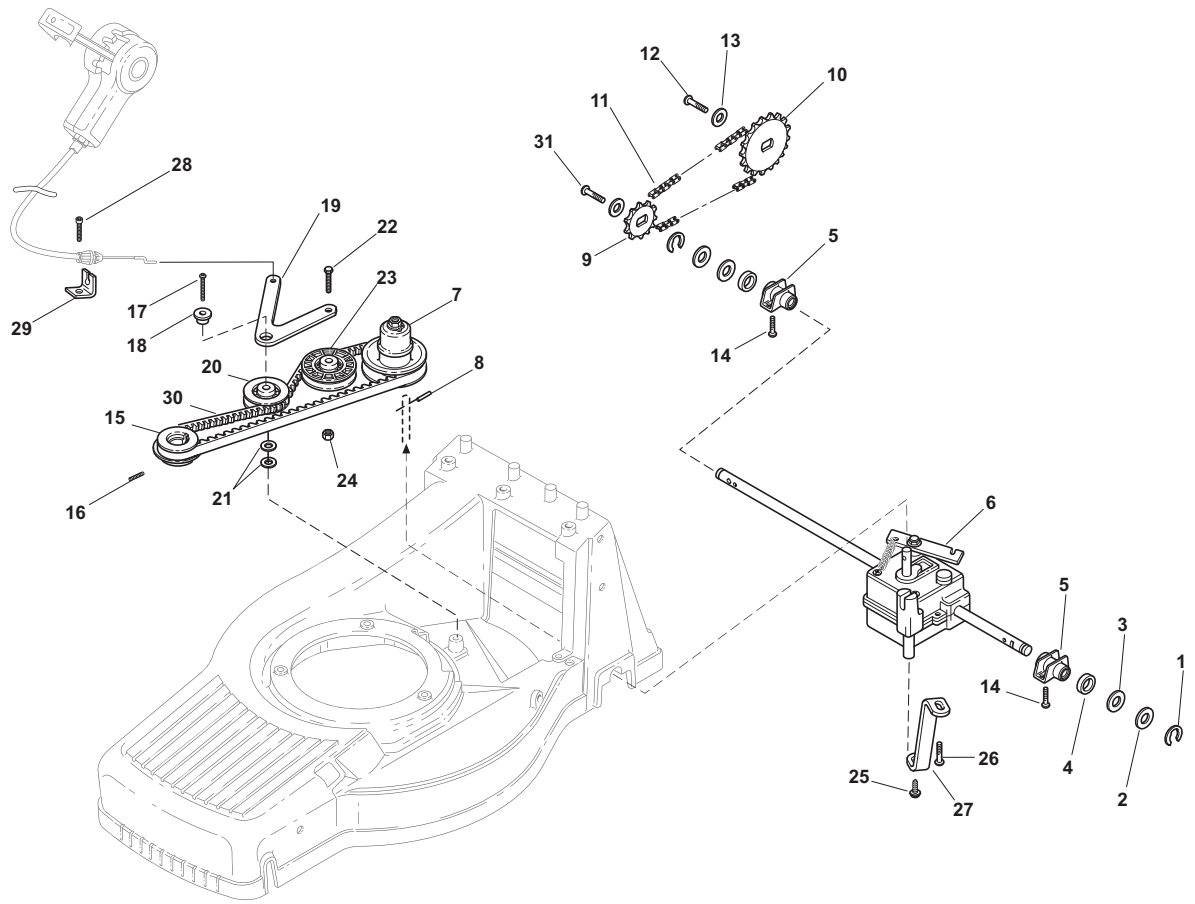


Fig.	Quantity	Part No	Description	Notes
2	2	112521370/0	Washer	
1	2	112000957/0	Benzing Ring	
3	2	112520032/0	Washer	
4	2	119035152/0	Grommet	
5	2	322785153/0	Gear Box Support	
6	1	181003087/1	Gear Box F.R.	
7	1	122601932/0	Pulley	
8	1	112645700/0	Elastic Pin	
9	1	122120107/0	Ring Gear	
10	1	122120106/0	Ring Gear	
11	1	115189003/0	Chain	
12	1	112735662/1	Screw	
13	2	112523040/0	Washer	
14	4	112735664/0	Screw	
15	1	122601917/0	Pulley, Crankshaft Ø 22.2	
15	1	122601920/0	Pulley, Crankshaft Ø 25	
16	1	112714312/0	Dowel	
17	1	112735669/0	Screw	
18	1	122671656/0	Washer	
19	1	322320001/0	Driving Lever	
20	1	122601915/0	Pulley	
21	2	112523040/0	Washer	
22	1	112674550/0	Screw	
23	1	122601914/0	Pulley	
24	1	112154510/0	Nut	
25	1	112728300/0	Screw	
26	1	112735664/0	Screw	
27	1	322778409/0	Clamp	
28	1	112735664/0	Screw	
29	1	322806619/0	Support	
30	1	135064378/0	Belt	
31	1	112735592/0	Screw	

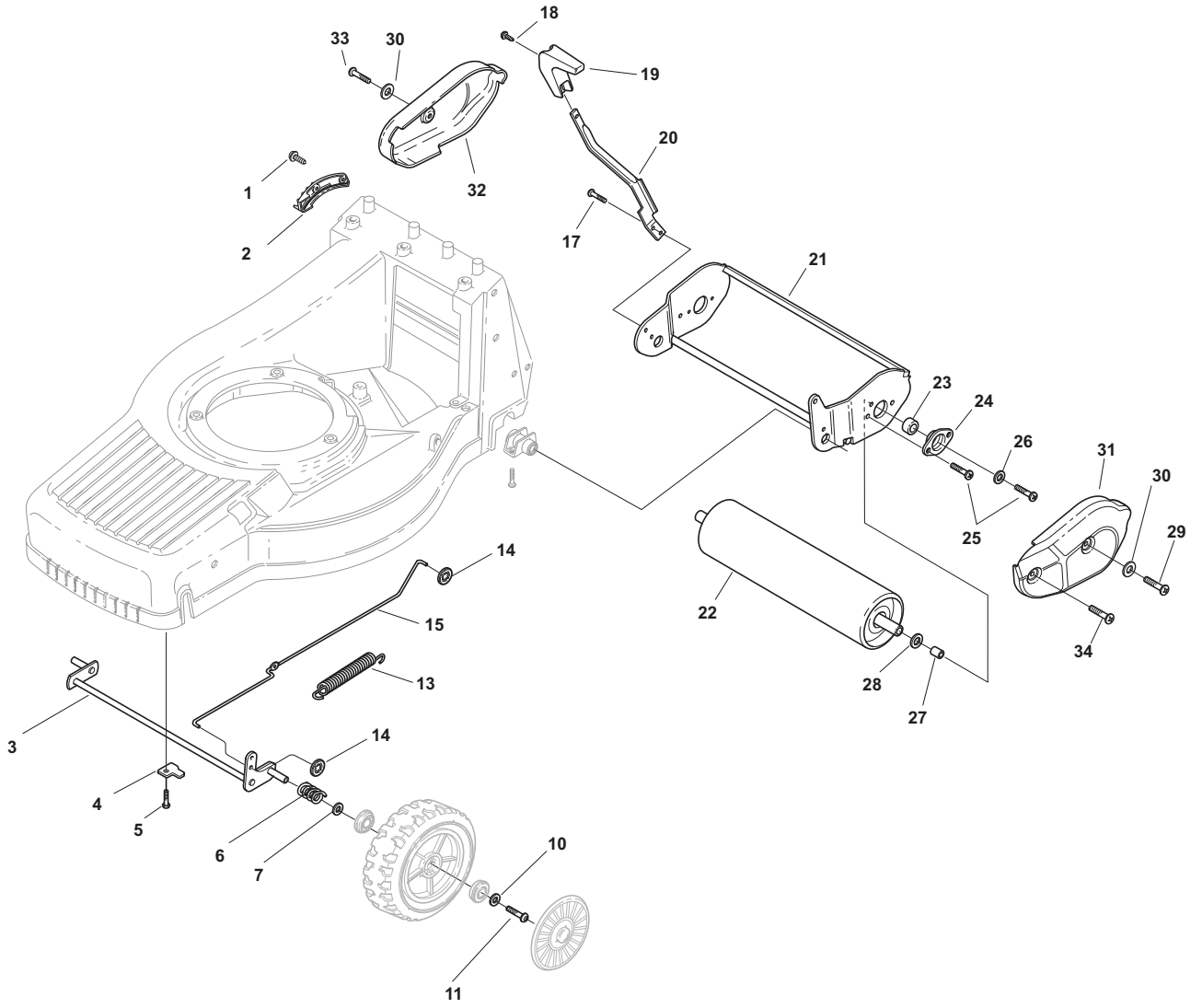
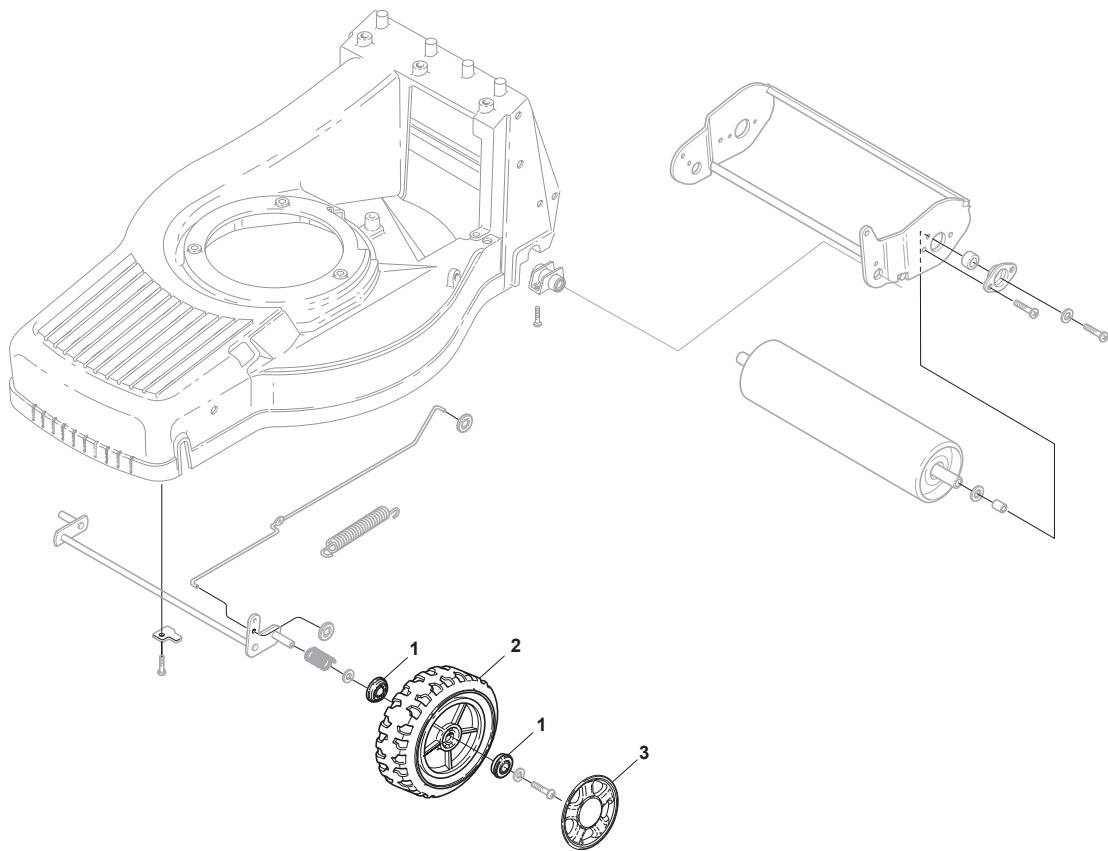


Fig.	Quantity	Part No	Description	Notes
1	2	112728300/0	Screw	
2	1	322735553/0	Sector, Height Adjustment	
3	1	381002845/0	Front Wheel Axle	
4	2	322545160/0	Front Axle Plate	
5	2	112735664/0	Screw	
6	2	122430210/0	Bearing	
7	2	112521370/0	Washer	
10	2	112521460/0	Washer	
11	2	112735662/1	Screw	
13	1	122446181/0	Spring	
14	2	112604898/0	Crown Fastener	
15	1	122033325/0	Rod, Height Adjustment	
17	2	112735664/0	Screw	
18	1	112728690/0	Screw	
19	1	322399805/0	Knob	
20	1	322321505/0	Lever, Height Adjustment	
21	1	381005115/0	Roller Support	
22	1	381007403/0	Roller	
23	2	119216036/0	Bearing	
24	2	322207323/0	Bearing	
25	6	112735662/1	Screw	
26	3	112523040/0	Washer	
27	1	122170820/0	Spacer	
28	1	112523100/0	Washer	
29	1	112735592/0	Screw	
30	5	112523040/0	Washer	
31	1	322060202/0	Red Left Roller Prot. Carter	
32	1	322060201/0	Red Right Roller Prot. Carter	
33	1	112735592/0	Screw	
34	1	112735594/0	Screw	

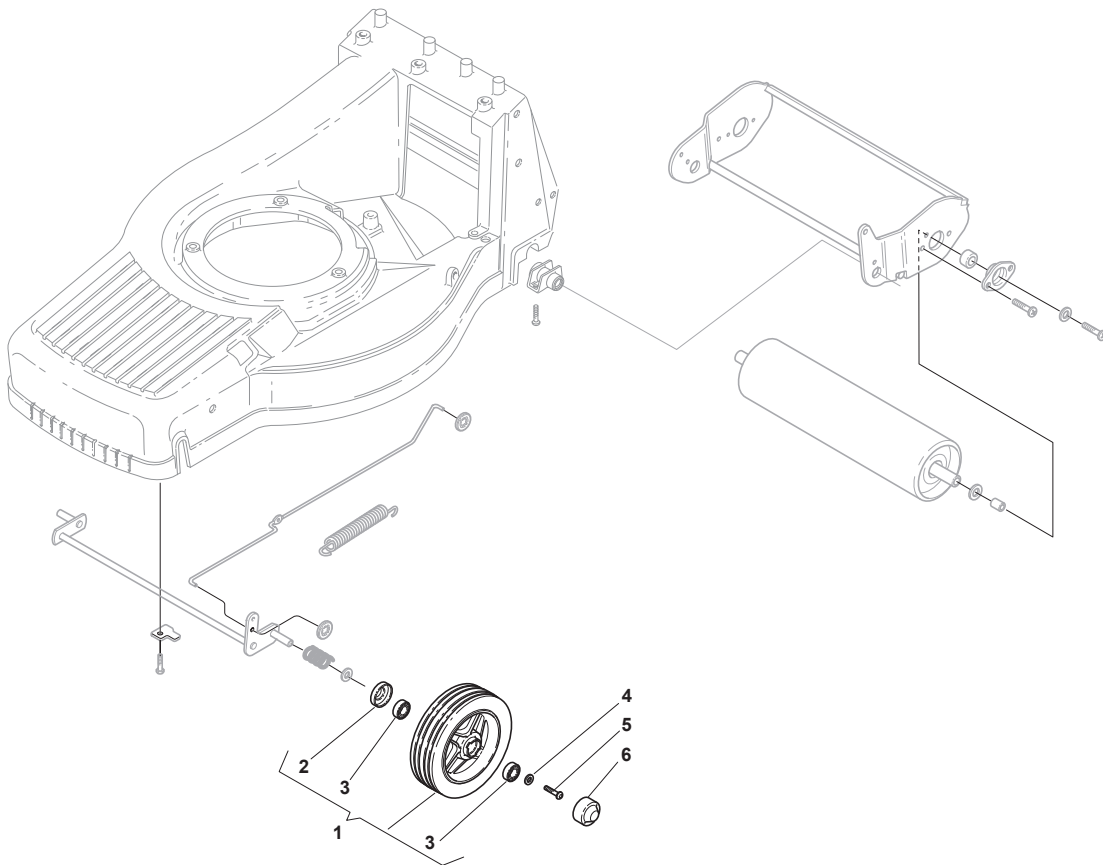


# TU 504 TR/E-R 4S

WBH Petrol Aluminium Wheel and Hub Cap

Issue 7 - 2015

Fig.	Quantity	Part No	Description	Notes
1	4	122122200/0	Bearing	
2	2	381007351/0	Wheel	
3	2	322110382/0	Hub Cap Grey	Grey





# TU 504 TR/E-R 4S

WBH Petrol Aluminium Wheels and Hub Caps

Issue 7 - 2015

Fig.	Quantity	Part No	Description	Notes
1	2	381007363/0	Wheel	
2	2	322160522/0	Dust Cover	
3	4	119216039/0	Bearing	
4	2	112521460/0	Washer	
5	2	112735662/1	Screw	
6	2	322110379/0	Hub Cap Black	

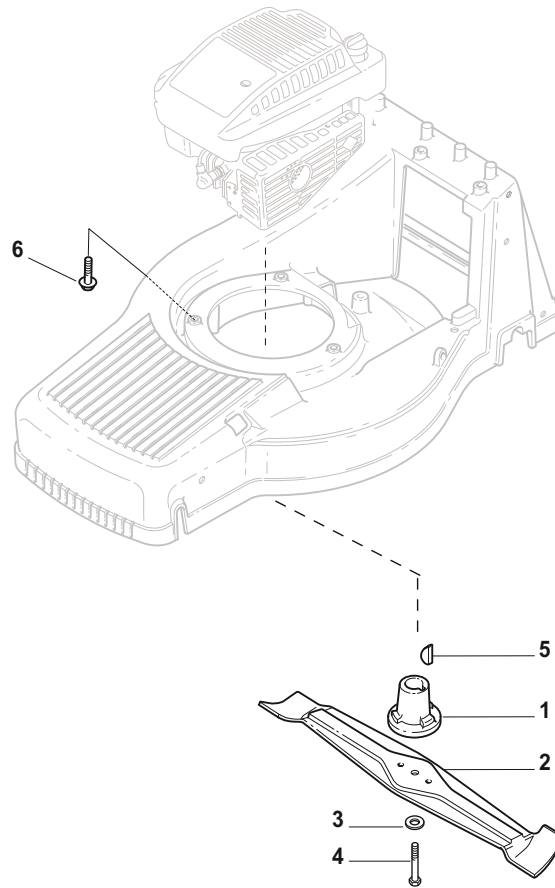


Fig.	Quantity	Part No	Description	Notes
1	1	122465618/0	Hub, Crankshaft Ø 22.2	
1	1	122465630/0	Hub, Crankshaft Ø 25	
2	1	181004143/0	Blade Winged	
3	1	112530140/0	Washer	
4	1	112735698/0	Screw	
5	1	112139100/0	Feather, Crankshaft Ø 22,2	
5	1	112139150/0	Feather, Crankshaft Ø 25	
6	3	112735108/1	Screw	

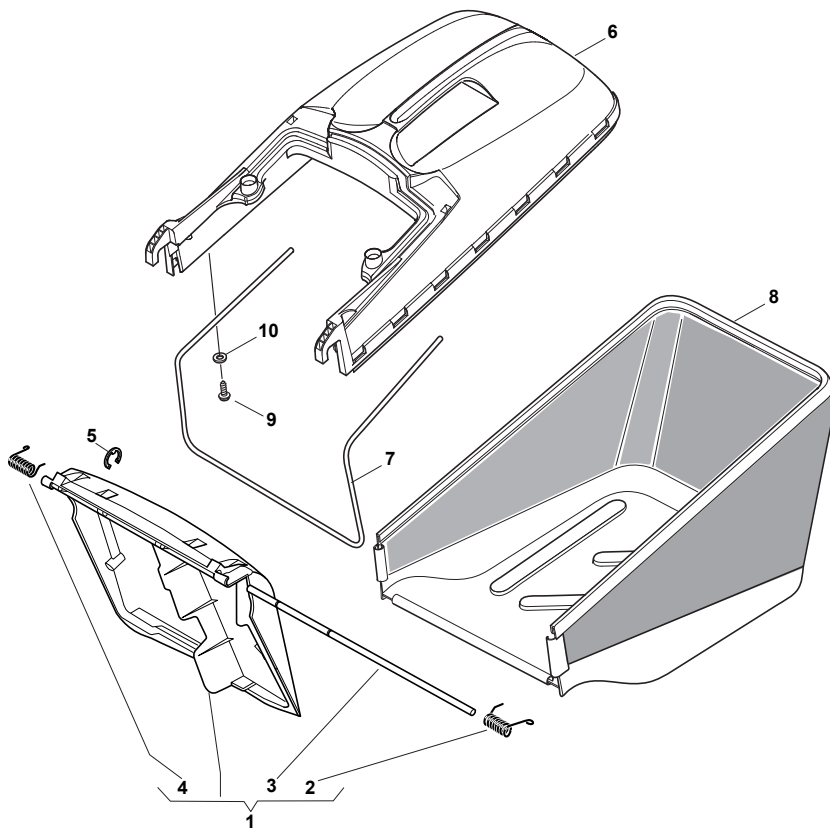


Fig.	Quantity	Part No	Description	Notes
1	1	381008021/2	Stone Guard	Black
2	1	122450420/1	Left Protection Spring	
3	1	122517906/1	Fulcrum Pin	
4	1	122450410/1	Right Spring	
5	1	112000930/0	Benzing Ring	
6	1	322486104/1	Grasscatcher Upper Part	
7	1	122608522/0	Fabic Box Lower Stiffening	
8	1	181002237/0	Box, Fabric	
9	2	112521460/0	Washer	
10	2	112728300/0	Screw	

112000930/0	5	1	p. 21	112793301/0	34	2	p. 3	322486104/1	6	1	p. 21
112000957/0	1	2	p. 11	112819110/0	37	2	p. 3	322545160/0	4	2	p. 13
112139100/0	5	1	p. 19	115189003/0	11	1	p. 11	322551640/0	44	1	p. 3
112139150/0	5	1	p. 19	118120052/0	4	1	p. 9	322608521/0	12	1	p. 3
112154510/0	24	1	p. 11	118203854/0	27	2	p. 3	322722804/1	10	1	p. 9
112154510/0	49	1	p. 3	118204120/0	5	1	p. 9	322722805/1	7	1	p. 9
112292100/0	51	1	p. 3	118204121/0	5	1	p. 9	322735553/0	2	1	p. 13
112293200/0	28	2	p. 3	118204195/0	6	1	p. 9	322775183/0	16	1	p. 3
112293200/0	36	2	p. 3	118210016/1	11	1	p. 9	322775185/0	17	1	p. 3
112293200/0	40	2	p. 3	118450051/0	9	1	p. 9	322778409/0	27	1	p. 11
112293201/0	25	4	p. 3	118566110/0	42	2	p. 3	322778411/0	23	1	p. 3
112520032/0	3	2	p. 11	119035152/0	4	2	p. 11	322778413/0	26	1	p. 3
112521350/0	22	4	p. 3	119216036/0	23	2	p. 13	322785153/0	5	2	p. 11
112521370/0	2	2	p. 11	119216039/0	3	4	p. 17	322785164/0	5	1	p. 3
112521370/0	7	2	p. 13	122033325/0	15	1	p. 13	322806619/0	29	1	p. 11
112521460/0	4	2	p. 17	122041959/0	24	2	p. 3	322869711/0	31	1	p. 3
112521460/0	9	2	p. 21	122120106/0	10	1	p. 11	381000697/0	45	1	p. 3
112521460/0	10	2	p. 13	122120107/0	9	1	p. 11	381002659/0	1	1	p. 3
112523040/0	2	1	p. 7	122122200/0	1	4	p. 15	381002845/0	3	1	p. 13
112523040/0	2	1	p. 9	122170820/0	27	1	p. 13	381003297/1	46	1	p. 3
112523040/0	13	2	p. 11	122430210/0	6	2	p. 13	381003298/1	48	1	p. 3
112523040/0	15	3	p. 3	122430312/0	32	1	p. 3	381005115/0	21	1	p. 13
112523040/0	21	2	p. 11	122430313/0	50	1	p. 3	381006614/0	30	2	p. 3
112523040/0	26	3	p. 13	122446181/0	13	1	p. 13	381006619/1	41	1	p. 3
112523040/0	30	5	p. 13	122450410/1	4	1	p. 21	381007097/0	55	1	p. 5
112523060/0	29	6	p. 3	122450420/1	2	1	p. 21	381007351/0	2	2	p. 15
112523100/0	28	1	p. 13	122465618/0	1	1	p. 19	381007363/0	1	2	p. 17
112530140/0	3	1	p. 19	122465630/0	1	1	p. 19	381007403/0	22	1	p. 13
112604898/0	14	2	p. 13	122517702/0	33	1	p. 3	381008021/2	1	1	p. 21
112645700/0	8	1	p. 11	122517906/1	3	1	p. 21				
112674550/0	22	1	p. 11	122601914/0	23	1	p. 11				
112714312/0	16	1	p. 11	122601915/0	20	1	p. 11				
112727786/0	43	1	p. 3	122601917/0	15	1	p. 11				
112727787/0	3	1	p. 7	122601920/0	15	1	p. 11				
112728124/0	14	5	p. 3	122601932/0	7	1	p. 11				
112728300/0	1	2	p. 13	122608522/0	7	1	p. 21				
112728300/0	4	3	p. 3	122671656/0	18	1	p. 11				
112728300/0	8	1	p. 9	122680006/1	38	2	p. 3				
112728300/0	10	2	p. 21	135064378/0	30	1	p. 11				
112728300/0	20	1	p. 3	181000686/0	47	1	p. 3				
112728300/0	25	1	p. 11	181000687/0	47	1	p. 3				
112728300/0	57	2	p. 5	181000688/0	47	1	p. 3				
112728690/0	18	1	p. 13	181000777/0	47	1	p. 3				
112728691/0	3	1	p. 9	181002237/0	8	1	p. 21				
112728691/0	52	3	p. 3	181003087/1	6	1	p. 11				
112728702/0	54	2	p. 5	181004143/0	2	1	p. 19				
112735108/1	6	3	p. 19	181007126/0	1	1	p. 7				
112735592/0	11	4	p. 3	181007127/1	1	1	p. 7				
112735592/0	29	1	p. 13	181007128/0	1	1	p. 7				
112735592/0	31	1	p. 11	322041955/0	35	2	p. 3				
112735592/0	33	1	p. 13	322060153/1	3	1	p. 3				
112735594/0	34	1	p. 13	322060201/0	32	1	p. 13				
112735662/1	5	2	p. 17	322060202/0	31	1	p. 13				
112735662/1	11	2	p. 13	322108278/0	19	1	p. 3				
112735662/1	12	1	p. 11	322109531/0	13	1	p. 3				
112735662/1	25	6	p. 13	322109533/0	1	1	p. 9				
112735664/0	5	2	p. 13	322110379/0	6	2	p. 17				
112735664/0	6	3	p. 3	322110382/0	3	2	p. 15				
112735664/0	14	4	p. 11	322160522/0	2	2	p. 17				
112735664/0	17	2	p. 13	322192001/0	53	3	p. 3				
112735664/0	18	1	p. 3	322207323/0	24	2	p. 13				
112735664/0	26	1	p. 11	322320001/0	19	1	p. 11				
112735664/0	28	1	p. 11	322321505/0	20	1	p. 13				
112735669/0	17	1	p. 11	322399804/1	39	2	p. 3				
112735698/0	4	1	p. 19	322399805/0	19	1	p. 13				
112793102/0	21	4	p. 3	322399809/0	56	1	p. 5				