

Parts Catalogue

for model
ES 460

- Use GLOBAL GARDEN PRODUCT Genuine Spare Parts specified in the parts list for repair and/or replacement.
- The contents described in the parts list may change due to improvement.
- The drawings of the spare parts are only indicative and might not represent the part in question exactly.
- The indications "right" - "left" - "front" - "rear" refer to the position of the operator when using the machine.
- When placing orders of parts for repair and/or replacement, make sure that the illustrated parts list is the one applying to the machine's year of manufacture, as shown on the identification plate attached to the machine.

© Copyright 2015 Global Garden Products

All content is subject to copyright by Global Garden Products and may not be reproduced in whole or in part by any means, electronic or otherwise, without prior written approval.

THIS INFORMATION IS NOT INTENDED FOR SALE OR RESALE, AND THIS NOTICE MUST REMAIN ON ALL COPIES.



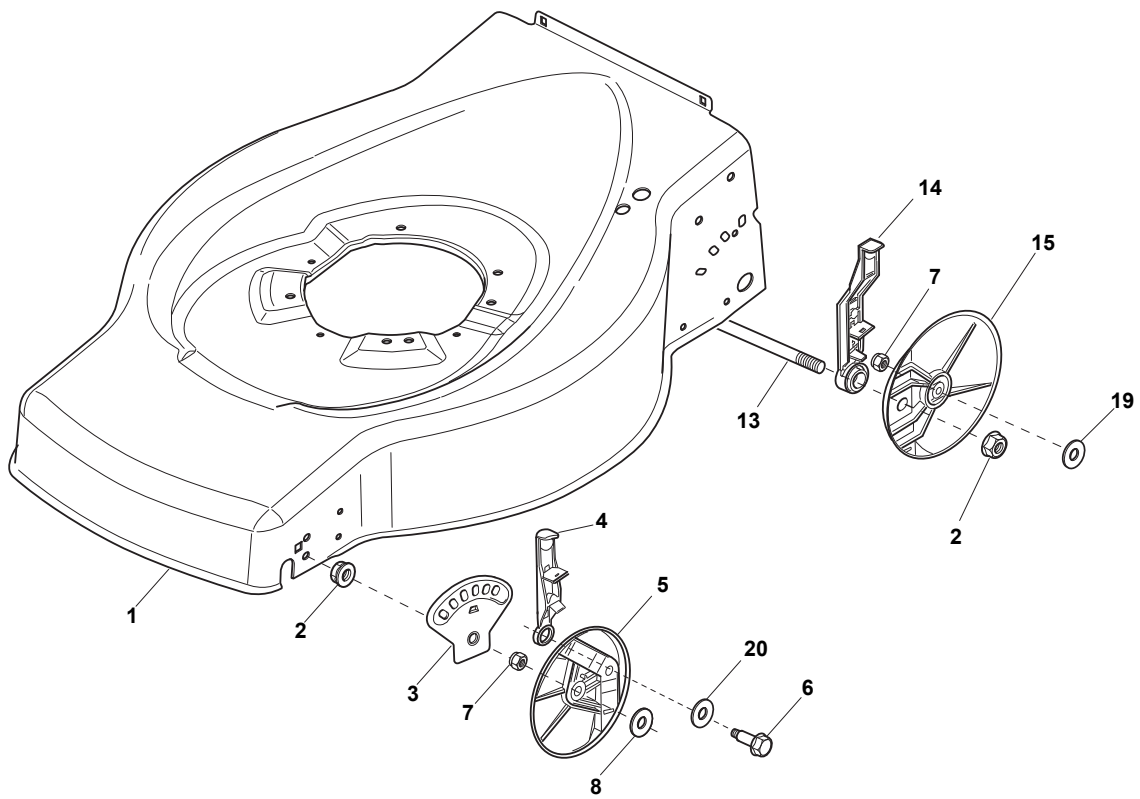


Fig.	Quantity	Part No	Description	Notes
1	1	381002538/0	Red Deck	
1	1	381004745/0	Grey Deck	
2	4	122131750/0	Nut	
3	2	322735557/0	Sector, Height Adjustment	
4	2	381003306/0	Lever, Height Adjustment	
5	2	322600170/0	Protection, Wheel	
6	2	122524324/0	Pin	
7	4	112155000/0	Nut	
8	2	325670011/0	Antifriction Washer	
13	1	122033364/0	Rear Stiffening Axle	
14	2	381003307/0	Lever, Height Adjustment	
15	2	322600098/0	Wheel	
19	2	325670011/0	Antifriction Washer	
20	2	112530150/0	Spring Washer	

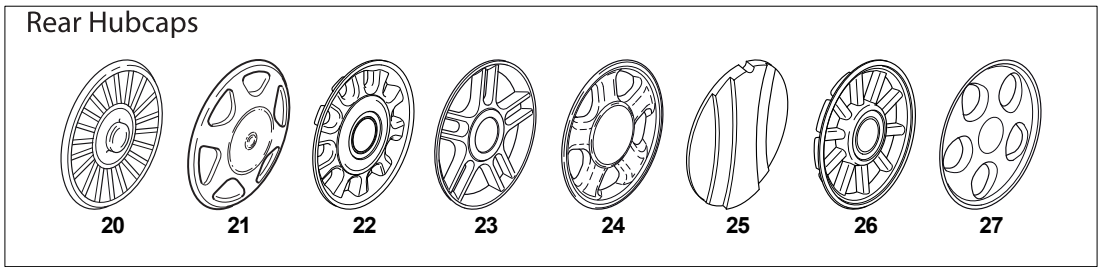
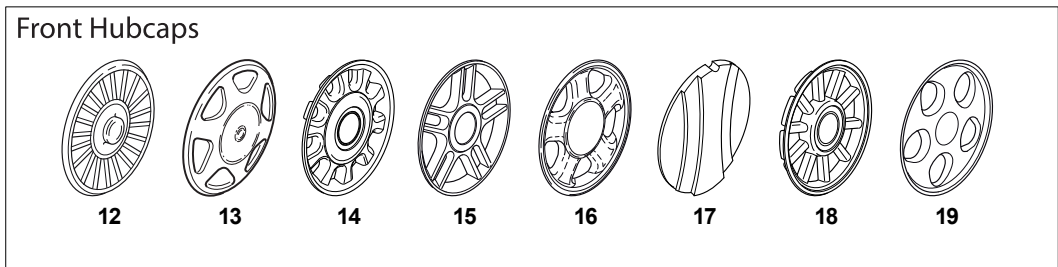
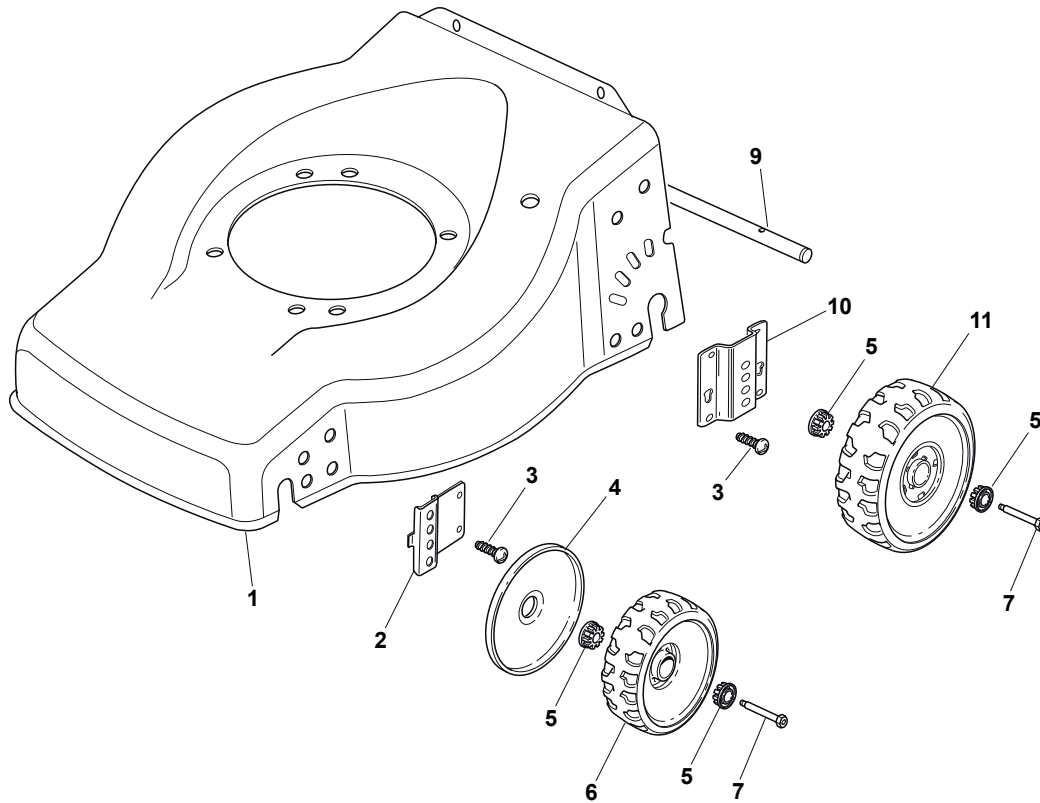


Fig.	Quantity	Part No	Description	Notes
1	1	381002652/0	Red Deck	
2	2	322551523/0	Front Plate	
3	4	112728686/0	Screw	
4	2	322600095/0	Protection, Wheel	
5	8	322034515/1	Bushing	
6	2	322686091/1	Wheel	
7	4	122524340/0	Pin	
8	2	322110320/1	Hub Cap White	
9	1	122033366/0	Rear Stiffening Axle	
10	2	322551525/0	Rear Plate	
11	2	322686092/0	Wheel	
12	2	322110347/0	Hub Cap Grey	
13	2	322110395/0	Hub Cap Grey	
14	2	322110493/0	Hub Cap Grey	
15	2	322110491/0	Hub Cap Grey	
16	2	322110381/0	Hub Cap Grey	
17	2	122110252/1	Hub Cap White	
17	2	122110254/1	Hub Cap Yellow	
17	2	122110255/1	Hub Cap Red	
18	2	322110495/0	Hub Cap Grey	
19	2	322110416/0	Hub Cap Grey	
20	2	322110348/0	Hub Cap Grey	
21	2	322110314/0	Hub Cap Grey	
22	2	322110494/0	Hub Cap Grey	
23	2	322110491/0	Hub Cap Grey	
24	2	322110382/0	Hub Cap Grey	
25	2	122110251/0	Hub Cap White	
25	2	122110253/0	Hub Cap Yellow	
25	2	122110256/0	Hub Cap Red	
26	2	322110496/0	Hub Cap Grey	
27	2	322110416/0	Hub Cap Grey	

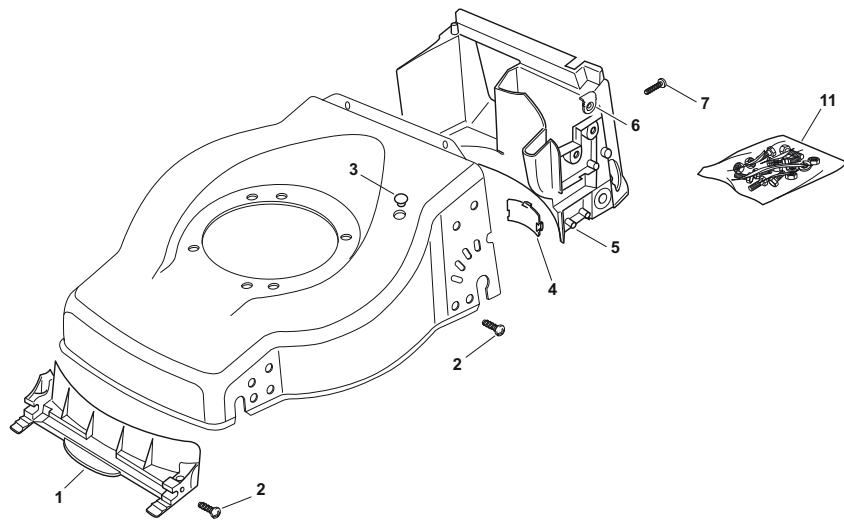
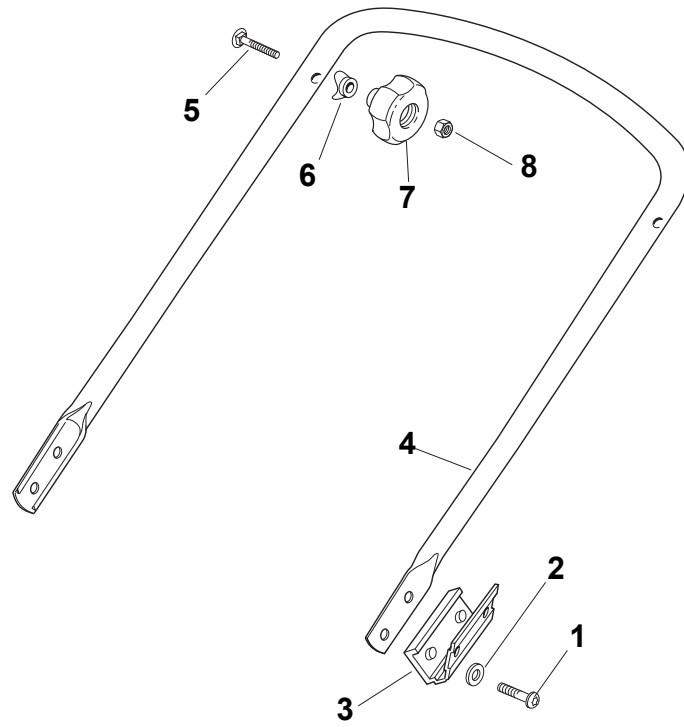


Fig.	Quantity	Part No	Description	Notes
1	1	322108271/0	Front Conveyor Assy	
2	6	112728686/0	Screw	
3	1	322820077/0	Cap	
4	1	322109532/0	Gear Box Cover	
5	1	322108272/2	Rear Conveyor Assy	
6	4	322545189/0	Plate	
7	2	112728686/0	Screw	
11	1	381008649/0	Outfit, Screws	



WBH Electric steel Handle, Lower Part

Issue 8 - 2015

Fig.	Quantity	Part No	Description	Notes
1	4	112760610/0	Screw	
2	4	122671651/0	Washer	
3	2	322551579/0	Isolation Plate	
4	1	381006600/0	Handle Lower Part	
5	2	112819201/0	Screw	
6	2	122680006/1	Washer	
7	2	322399804/1	Nut	
8	2	112293200/0	Nut	

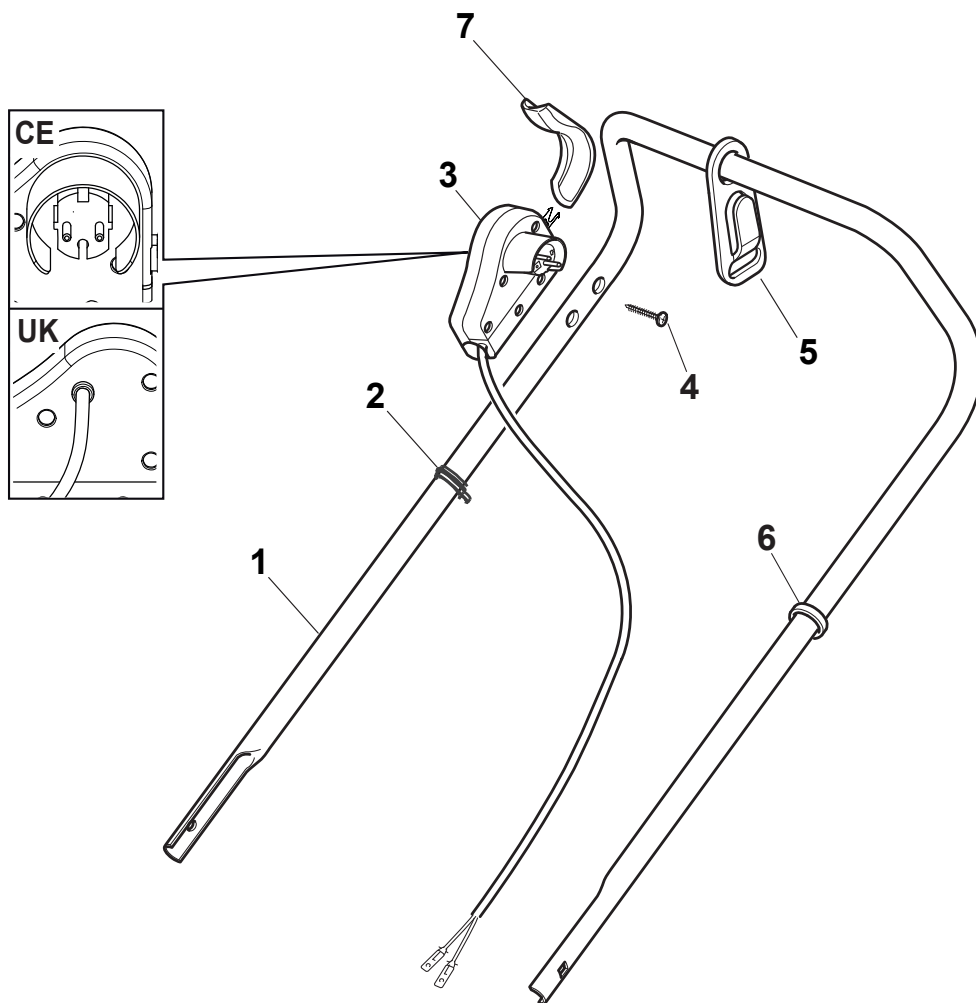


Fig.	Quantity	Part No	Description	Notes
1	1	381007017/2	Handle, Upper Part	
2	2	122192000/1	Clamp	
3	1	381600547/0	Dead Hand Switch CE	CE plugg
3	1	381600548/0	Dead Hand Switch UK	UK plugg
4	2	112728701/0	Screw	
5	1	322195101/4	Fairlead	
6	1	122192151/0	Fairlead Holder Clamp	
7	1	322319529/0	Leva Salvamotore	
CE	1	381600547/0	Dead Hand Switch CE	
UK	1	381600548/0	Dead Hand Switch UK	

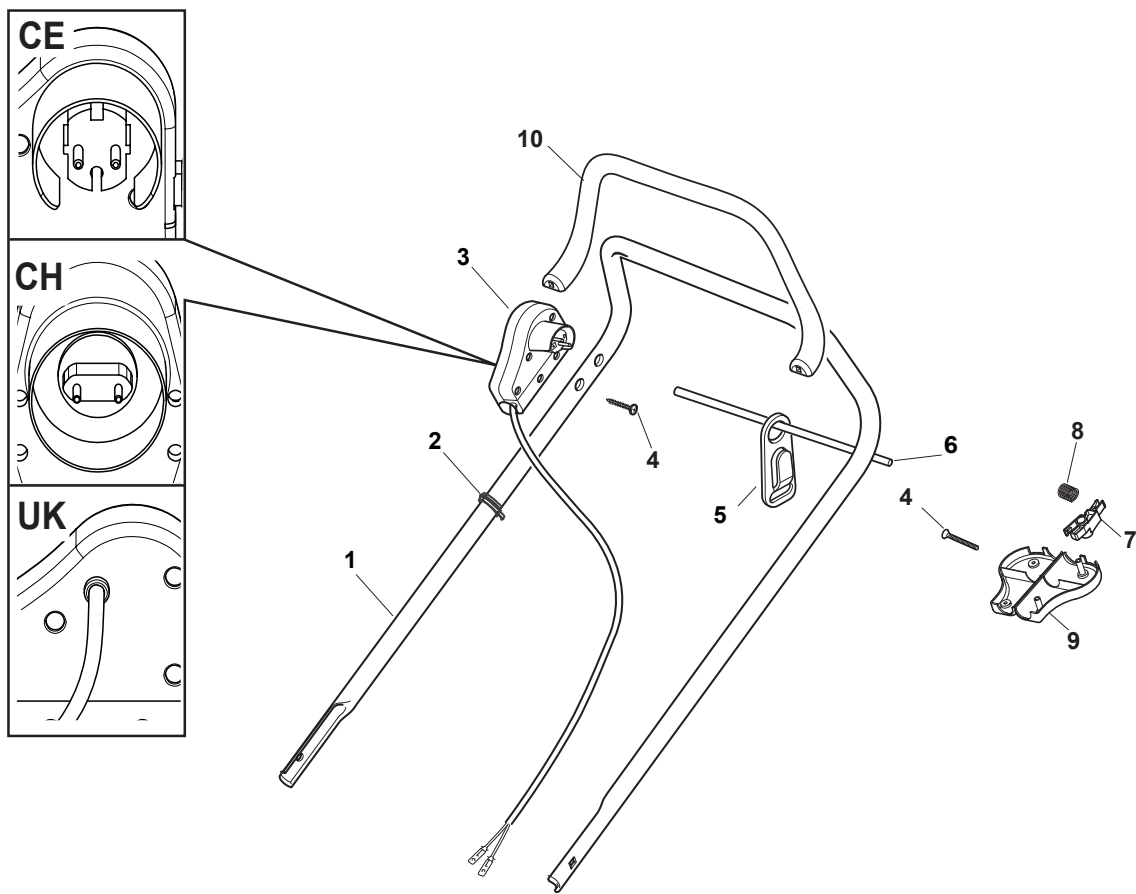
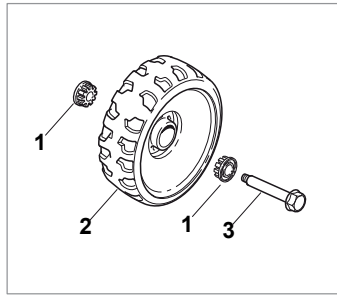
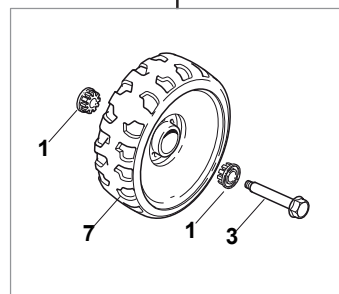
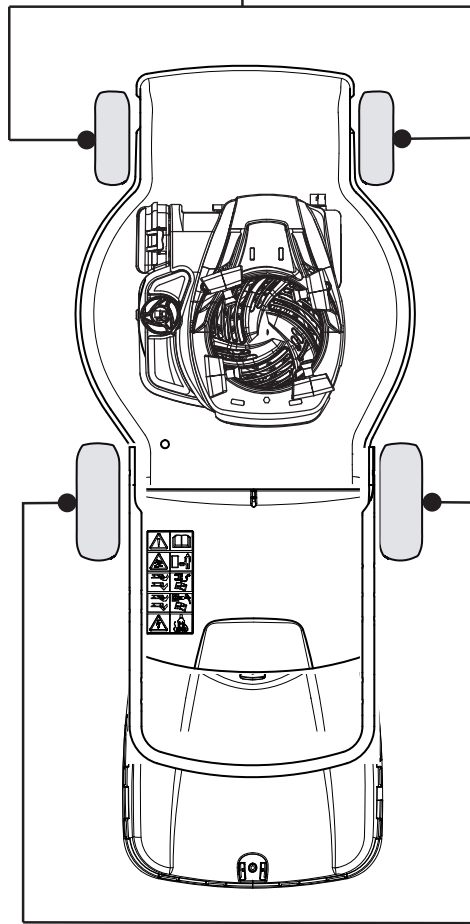
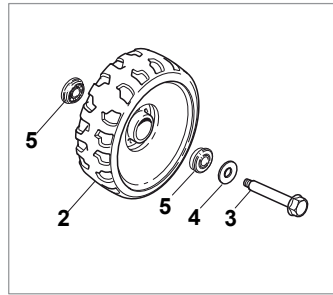


Fig.	Quantity	Part No	Description	Notes
3	1	381600548/0	Dead Hand Switch UK	UK plugg
3	1	381600547/0	Dead Hand Switch CE	CE plugg
1	1	381007017/2	Handle, Upper Part	
2	2	122192000/1	Clamp	
4	4	112728701/0	Screw	
5	1	322195101/4	Fairlead	
6	1	122010251/0	Hook	
7	1	322230350/1	Left Fulcrum	
8	1	122450115/0	Spring	
9	1	322785144/1	Support	
10	1	322322881/1	Lever, Engine Brake Black	
10	1	322322884/1	Lever, Engine Brake Red	
10	1	322322885/1	Lever, Engine Brake Yellow	
CE	1	381600547/0	Dead Hand Switch CE	
UK	1	381600548/0	Dead Hand Switch UK	

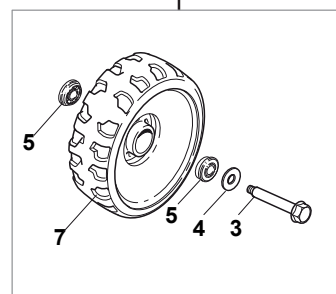
BUSHING Version - Ø 165



BALL BEARING Version - Ø 165



BUSHING Version - Ø 190



BALL BEARING Version - Ø 190

Fig.	Quantity	Part No	Description	Notes
1	8	122034508/0	Bushing	
2	4	322686091/1	Wheel	
3	4	122524341/0	Pin	
4	4	122675100/0	Washer	
5	8	122122200/0	Bearing	
7	4	322686092/0	Wheel	

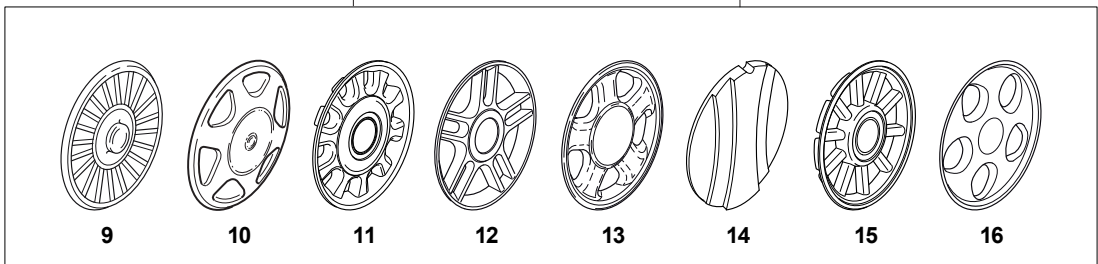
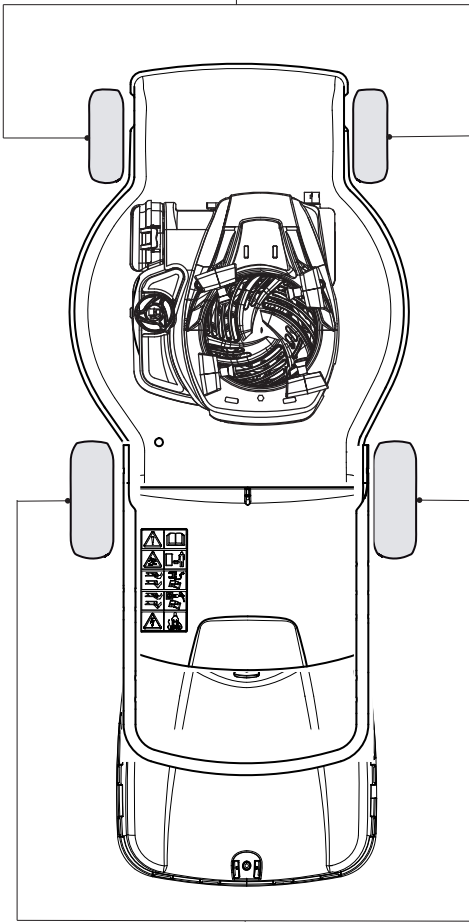
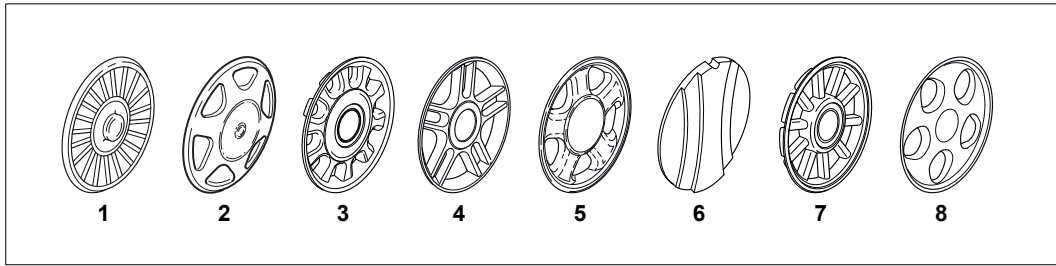


Fig.	Quantity	Part No	Description	Notes
1	2	322110347/0	Hub Cap Grey	
2	2	322110395/0	Hub Cap Grey	
3	2	322110493/0	Hub Cap Grey	
4	2	322110491/0	Hub Cap Grey	
5	2	322110381/0	Hub Cap Grey	
6	2	122110252/1	Hub Cap White	
6	2	122110254/1	Hub Cap Yellow	
6	2	122110255/1	Hub Cap Red	
7	2	322110495/0	Hub Cap Grey	
8	2	322110416/0	Hub Cap Grey	
9	2	322110348/0	Hub Cap Grey	
10	2	322110314/0	Hub Cap Grey	
11	2	322110494/0	Hub Cap Grey	
12	2	322110491/0	Hub Cap Grey	
13	2	322110382/0	Hub Cap Grey	
14	2	122110251/0	Hub Cap White	
14	2	122110253/0	Hub Cap Yellow	
14	2	122110256/0	Hub Cap Red	
15	2	322110496/0	Hub Cap Grey	
16	2	322110416/0	Hub Cap Grey	

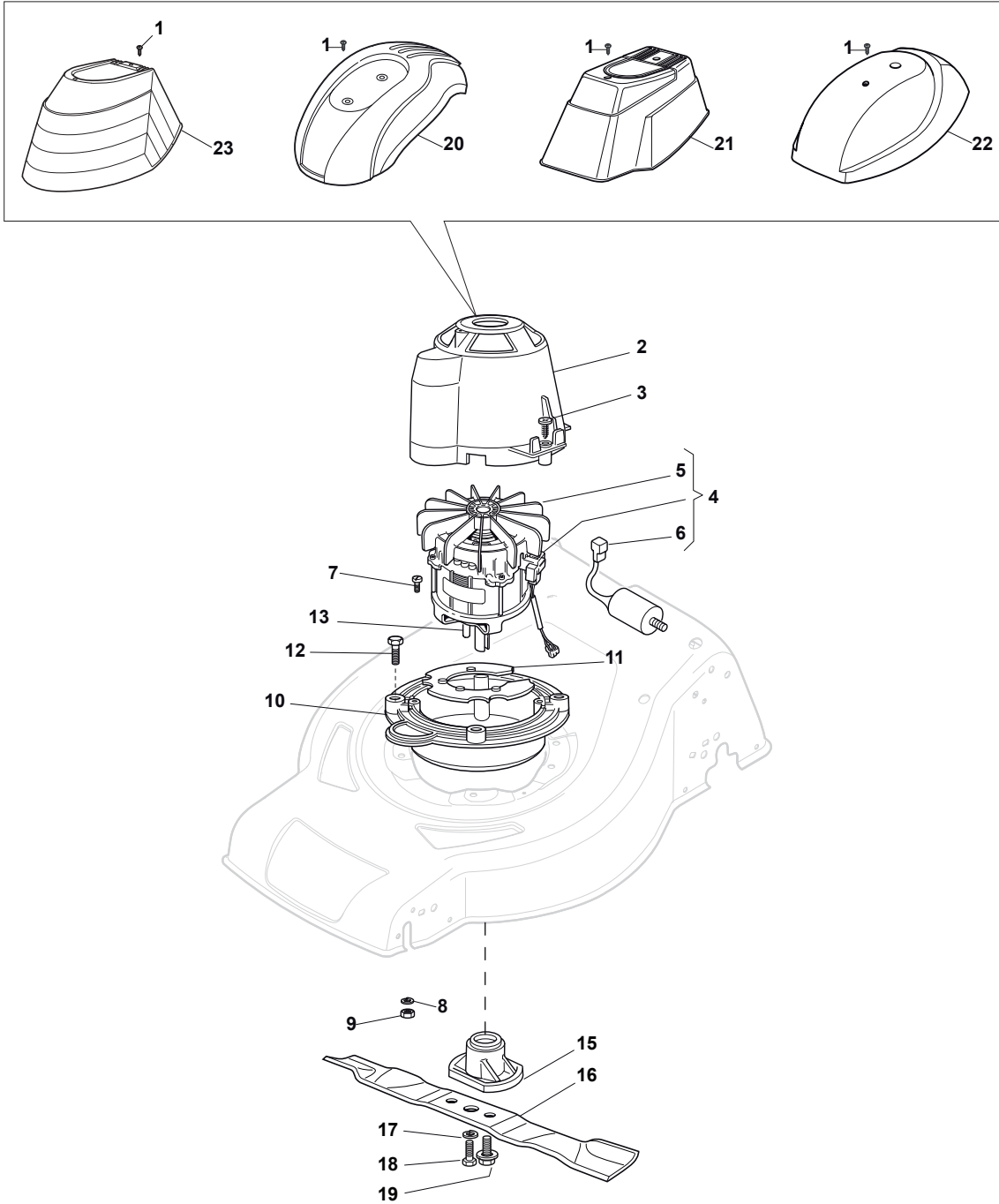


Fig.	Quantity	Part No	Description	Notes
1	2	112728680/0	Screw	
2	1	322785210/0	Cover Support	
3	4	112728710/0	Screw	
4	1	118563605/0	Electric Motor 1600W	240V (1600W)
4	1	118563640/0	Electric Motor 1800W	230V (1800W)
5	1	118740054/0	Fan Motor Atb	
6	1	118222039/0	Condenser	
6	1	118222045/0	Condenser 16 µf	
7	4	112735410/0	Screw	
8	4	112583500/0	Grower	
9	4	112293200/0	Nut	
10	1	322207211/4	Electrical Motor Flange	
10	1	322207216/0	Flange	
11	1	322720360/2	Ventilation Screen	
12	4	112793700/0	Screw	
13	1	112139440/0	Key	
15	1	322463186/3	Blade Hub	
16	1	181004365/3	Mulching Blade	
17	2	112583500/0	Grower	
18	2	112793101/0	Screw	
19	1	381004352/1	Screw	
20	1	122055065/0	Engine Cover Black	
21	1	122055045/1	Cover, Black	
21	1	322055139/0	Cover, Yellow	
22	1	122055058/0	Cover, Black	
23	1	122055033/1	Engine Cover	

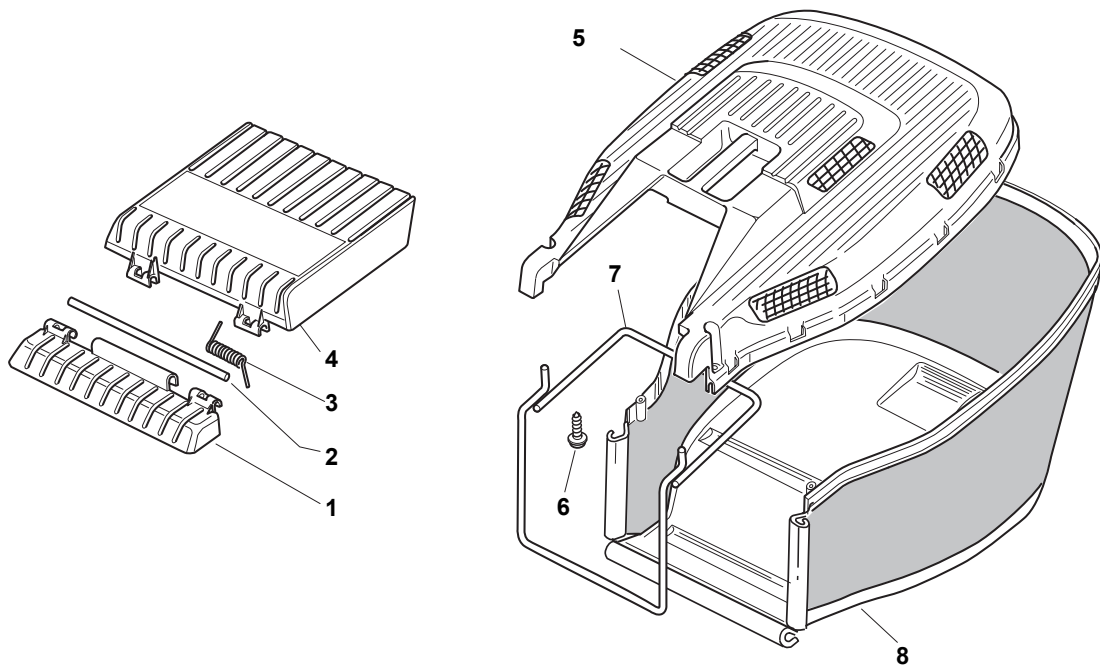


Fig.	Quantity	Part No	Description	Notes
4	1	322600100/2	Stone-Guard	Yellow
1	1	322486400/0	Stone Guard Support	
2	1	122517858/0	Pin	
3	1	122450431/0	Spring	
4	1	322600099/2	Stone-Guard	Black
5	1	322486122/0	Grasscatcher Upper Part Black	
6	2	112728686/0	Screw	
7	1	181006419/0	Grasscatcher Frame	
8	1	181002229/0	Box, Fabric	

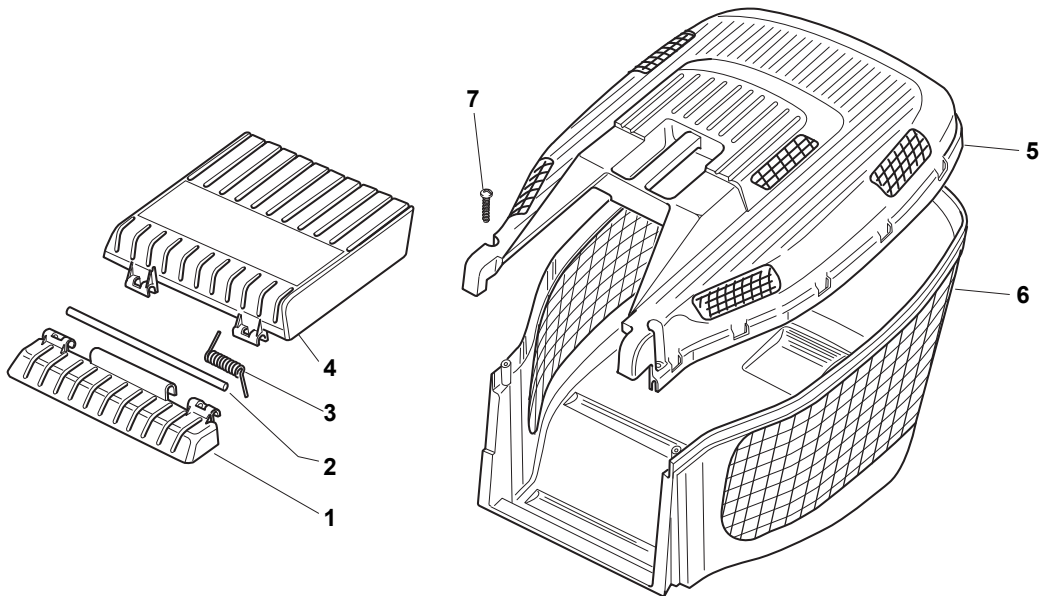


Fig.	Quantity	Part No	Description	Notes
4	1	322600100/2	Stone-Guard	Yellow
1	1	322486400/0	Stone Guard Support	
2	1	122517858/0	Pin	
3	1	122450431/0	Spring	
4	1	322600099/2	Stone-Guard	Black
5	1	322486122/0	Grasscatcher Upper Part Black	
6	1	322486128/0	Grassbox Lower Part	
7	2	112728686/0	Screw	

112139440/0	13	1	p. 19	322055139/0	21	1	p. 19	322785144/1	9	1	p. 13
112155000/0	7	4	p. 3	322108271/0	1	1	p. 7	322785210/0	2	1	p. 19
112293200/0	8	2	p. 9	322108272/2	5	1	p. 7	322820077/0	3	1	p. 7
112293200/0	9	4	p. 19	322109532/0	4	1	p. 7	325670011/0	8	2	p. 3
112530150/0	20	2	p. 3	322110314/0	10	2	p. 17	325670011/0	19	2	p. 3
112583500/0	8	4	p. 19	322110314/0	21	2	p. 5	381002538/0	1	1	p. 3
112583500/0	17	2	p. 19	322110320/1	8	2	p. 5	381002652/0	1	1	p. 5
112728680/0	1	2	p. 19	322110347/0	1	2	p. 17	381003306/0	4	2	p. 3
112728686/0	2	6	p. 7	322110347/0	12	2	p. 5	381003307/0	14	2	p. 3
112728686/0	3	4	p. 5	322110348/0	9	2	p. 17	381004352/1	19	1	p. 19
112728686/0	6	2	p. 21	322110348/0	20	2	p. 5	381004745/0	1	1	p. 3
112728686/0	7	2	p. 7	322110381/0	5	2	p. 17	381006600/0	4	1	p. 9
112728686/0	7	2	p. 23	322110381/0	16	2	p. 5	381007017/2	1	1	p. 11
112728701/0	4	2	p. 11	322110382/0	13	2	p. 17	381007017/2	1	1	p. 13
112728701/0	4	4	p. 13	322110382/0	24	2	p. 5	381008649/0	11	1	p. 7
112728710/0	3	4	p. 19	322110395/0	2	2	p. 17	381600547/0	3	1	p. 11
112735410/0	7	4	p. 19	322110395/0	13	2	p. 5	381600547/0	3	1	p. 13
112760610/0	1	4	p. 9	322110416/0	8	2	p. 17	381600547/0	CE	1	p. 11
112793101/0	18	2	p. 19	322110416/0	16	2	p. 17	381600547/0	CE	1	p. 13
112793700/0	12	4	p. 19	322110416/0	19	2	p. 5	381600548/0	3	1	p. 11
112819201/0	5	2	p. 9	322110416/0	27	2	p. 5	381600548/0	3	1	p. 13
118222039/0	6	1	p. 19	322110491/0	4	2	p. 17	381600548/0	UK	1	p. 11
118222045/0	6	1	p. 19	322110491/0	12	2	p. 17	381600548/0	UK	1	p. 13
118563605/0	4	1	p. 19	322110491/0	15	2	p. 5				
118563640/0	4	1	p. 19	322110491/0	23	2	p. 5				
118740054/0	5	1	p. 19	322110493/0	3	2	p. 17				
122010251/0	6	1	p. 13	322110493/0	14	2	p. 5				
122033364/0	13	1	p. 3	322110494/0	11	2	p. 17				
122033366/0	9	1	p. 5	322110494/0	22	2	p. 5				
122034508/0	1	8	p. 15	322110495/0	7	2	p. 17				
122055033/1	23	1	p. 19	322110495/0	18	2	p. 5				
122055045/1	21	1	p. 19	322110496/0	15	2	p. 17				
122055058/0	22	1	p. 19	322110496/0	26	2	p. 5				
122055065/0	20	1	p. 19	322195101/4	5	1	p. 11				
122110251/0	14	2	p. 17	322195101/4	5	1	p. 13				
122110251/0	25	2	p. 5	322207211/4	10	1	p. 19				
122110252/1	6	2	p. 17	322207216/0	10	1	p. 19				
122110252/1	17	2	p. 5	322230350/1	7	1	p. 13				
122110253/0	14	2	p. 17	322319529/0	7	1	p. 11				
122110253/0	25	2	p. 5	322322881/1	10	1	p. 13				
122110254/1	6	2	p. 17	322322884/1	10	1	p. 13				
122110254/1	17	2	p. 5	322322885/1	10	1	p. 13				
122110255/1	6	2	p. 17	322399804/1	7	2	p. 9				
122110255/1	17	2	p. 5	322463186/3	15	1	p. 19				
122110256/0	14	2	p. 17	322486122/0	5	1	p. 21				
122110256/0	25	2	p. 5	322486122/0	5	1	p. 23				
122122200/0	5	8	p. 15	322486128/0	6	1	p. 23				
122131750/0	2	4	p. 3	322486400/0	1	1	p. 21				
122192000/1	2	2	p. 11	322486400/0	1	1	p. 23				
122192000/1	2	2	p. 13	322545189/0	6	4	p. 7				
122192151/0	6	1	p. 11	322551523/0	2	2	p. 5				
122450115/0	8	1	p. 13	322551525/0	10	2	p. 5				
122450431/0	3	1	p. 21	322551579/0	3	2	p. 9				
122450431/0	3	1	p. 23	322600095/0	4	2	p. 5				
122517858/0	2	1	p. 21	322600098/0	15	2	p. 3				
122517858/0	2	1	p. 23	322600099/2	4	1	p. 21				
122524324/0	6	2	p. 3	322600099/2	4	1	p. 23				
122524340/0	7	4	p. 5	322600100/2	4	1	p. 21				
122524341/0	3	4	p. 15	322600100/2	4	1	p. 23				
122671651/0	2	4	p. 9	322600170/0	5	2	p. 3				
122675100/0	4	4	p. 15	322686091/1	2	4	p. 15				
122680006/1	6	2	p. 9	322686091/1	6	2	p. 5				
181002229/0	8	1	p. 21	322686092/0	7	4	p. 15				
181004365/3	16	1	p. 19	322686092/0	11	2	p. 5				
181006419/0	7	1	p. 21	322720360/2	11	1	p. 19				
322034515/1	5	8	p. 5	322735557/0	3	2	p. 3				