

Parts Catalogue

for model

CRC-CSC 534 SE - CRC-CSC 534 SEQ

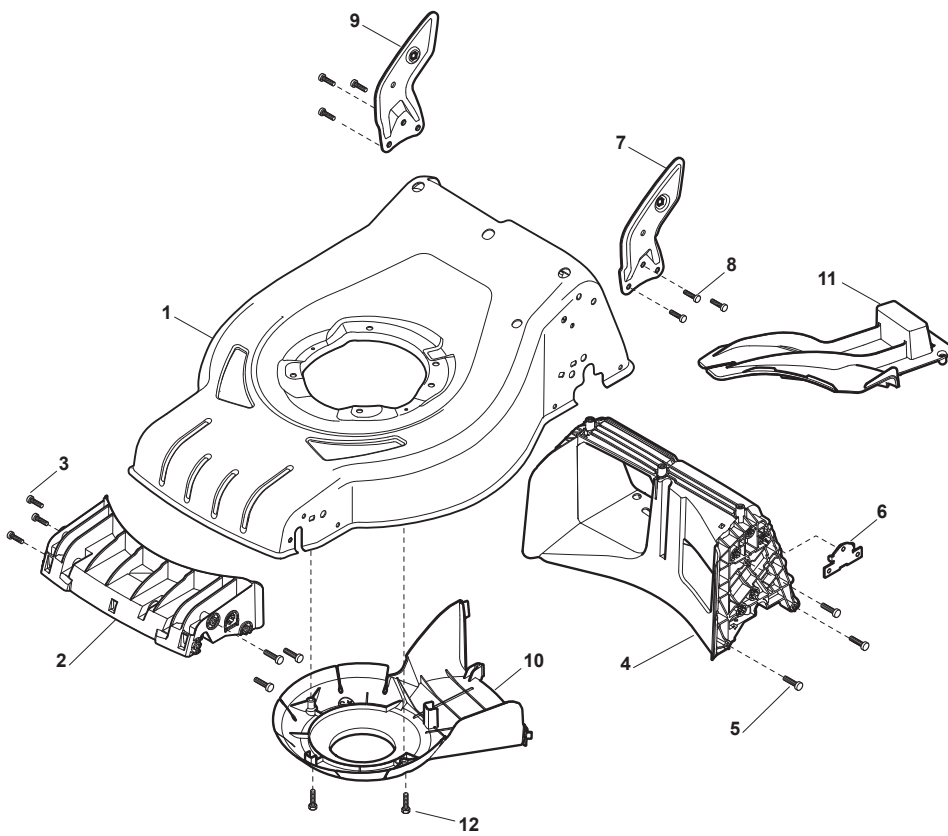
- Use GLOBAL GARDEN PRODUCT Genuine Spare Parts specified in the parts list for repair and/or replacement.
- The contents described in the parts list may change due to improvement.
- The drawings of the spare parts are only indicative and might not represent the part in question exactly.
- The indications "right" - "left" - "front" - "rear" refer to the position of the operator when using the machine.
- When placing orders of parts for repair and/or replacement, make sure that the illustrated parts list is the one applying to the machine's year of manufacture, as shown on the identification plate attached to the machine.

© Copyright 2015 Global Garden Products

All content is subject to copyright by Global Garden Products and may not be reproduced in whole or in part by any means, electronic or otherwise, without prior written approval.

THIS INFORMATION IS NOT INTENDED FOR SALE OR RESALE, AND THIS NOTICE MUST REMAIN ON ALL COPIES.



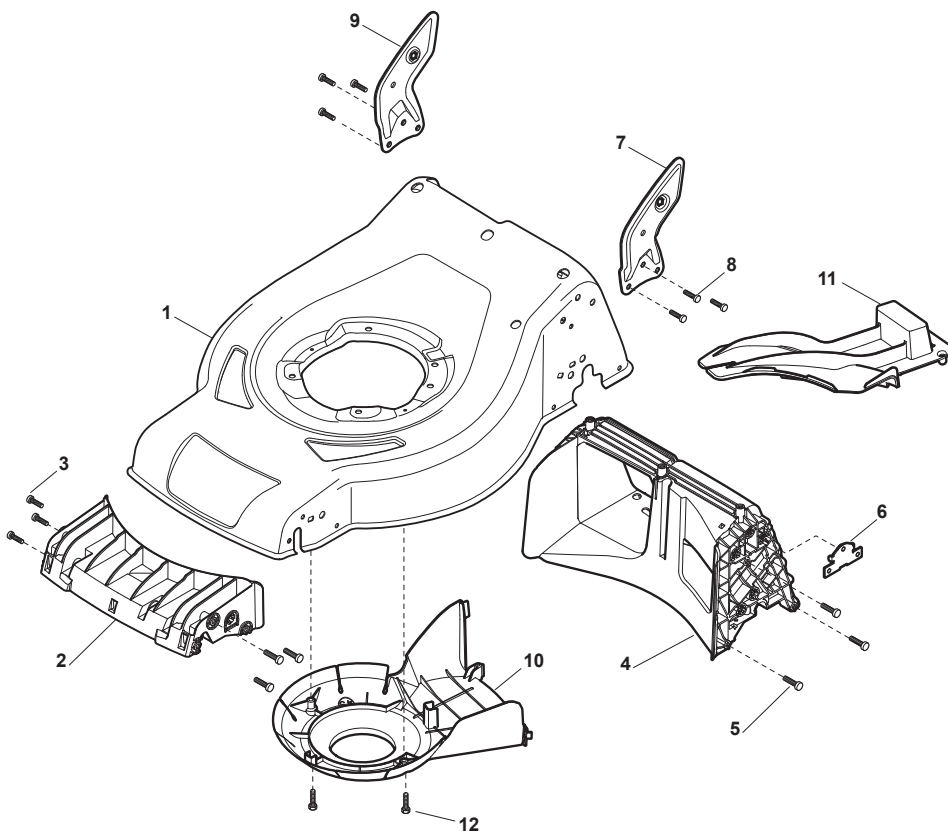


CRC-CSC 534 SE - CRC-CSC 534 SQE

WBH Petrol Steel Deck

Issue 9 - 2015

Fig.	Quantity	Part No	Description	Notes
1	1	381004550/0	Black Deck	
1	1	381004615/0	Red Deck	
1	1	381004617/0	Red Deck	Side Discharge
1	1	381004730/0	Grey Deck	
2	1	322108308/0	Rear Conveyor Assy	
3	6	112728699/0	Screw	
4	1	322108302/0	Rear Conveyor Assy	
5	6	112728699/0	Screw	
6	2	322545213/0	Plate	
7	1	381005139/0	Left Bracket	
8	6	112727801/0	Screw	
9	1	381005137/0	Right Bracket	
10	1	322060250/0	Belt Protection	
11	1	322140244/0	Mulching Plug	
12	2	112728530/0	Screw	



CRC-CSC 534 SE - CRC-CSC 534 SQE

WBH Petrol Steel Deck

Issue 9 - 2015

Fig.	Quantity	Part No	Description	Notes
1	1	381004546/0	Red Deck	
1	1	381004547/0	Red Deck	Side Discharge
1	1	381004549/0	Black Deck	
2	1	322108308/0	Rear Conveyor Assy	
3	6	112728699/0	Screw	
4	1	322108302/0	Rear Conveyor Assy	
5	6	112728699/0	Screw	
6	2	322545213/0	Plate	
7	1	381005139/0	Left Bracket	
8	6	112727801/0	Screw	
9	1	381005137/0	Right Bracket	
10	1	322060250/0	Belt Protection	
11	1	322140244/0	Mulching Plug	
12	2	112728530/0	Screw	

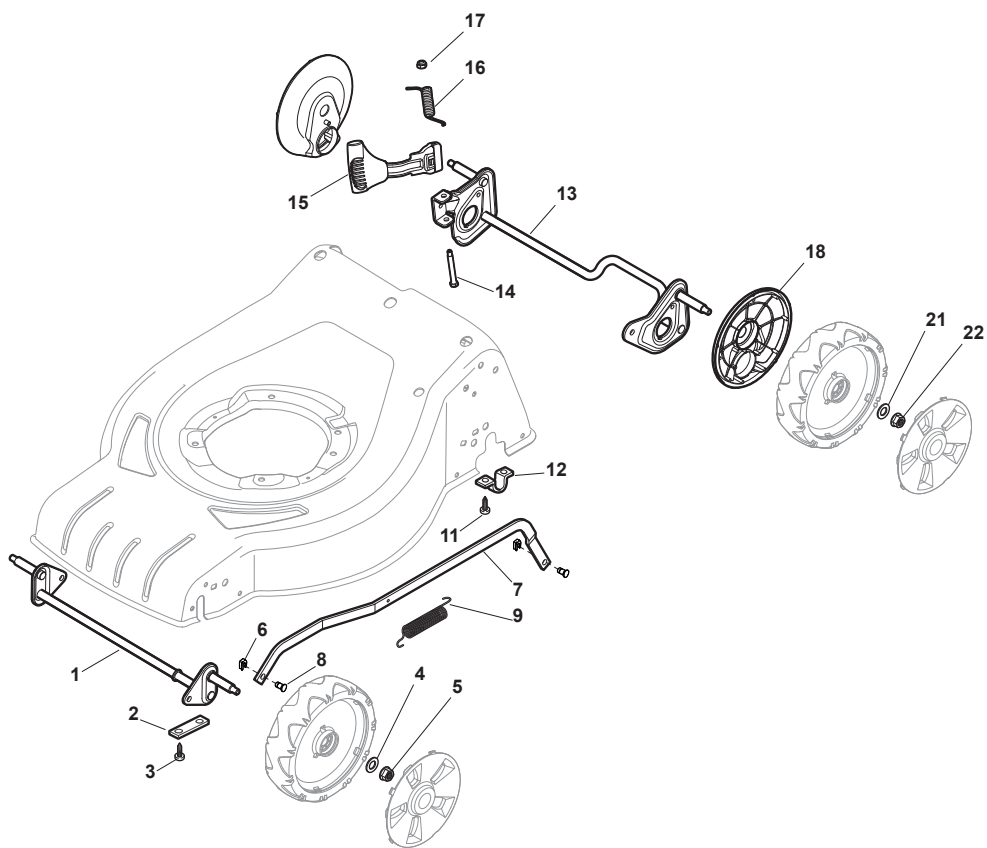
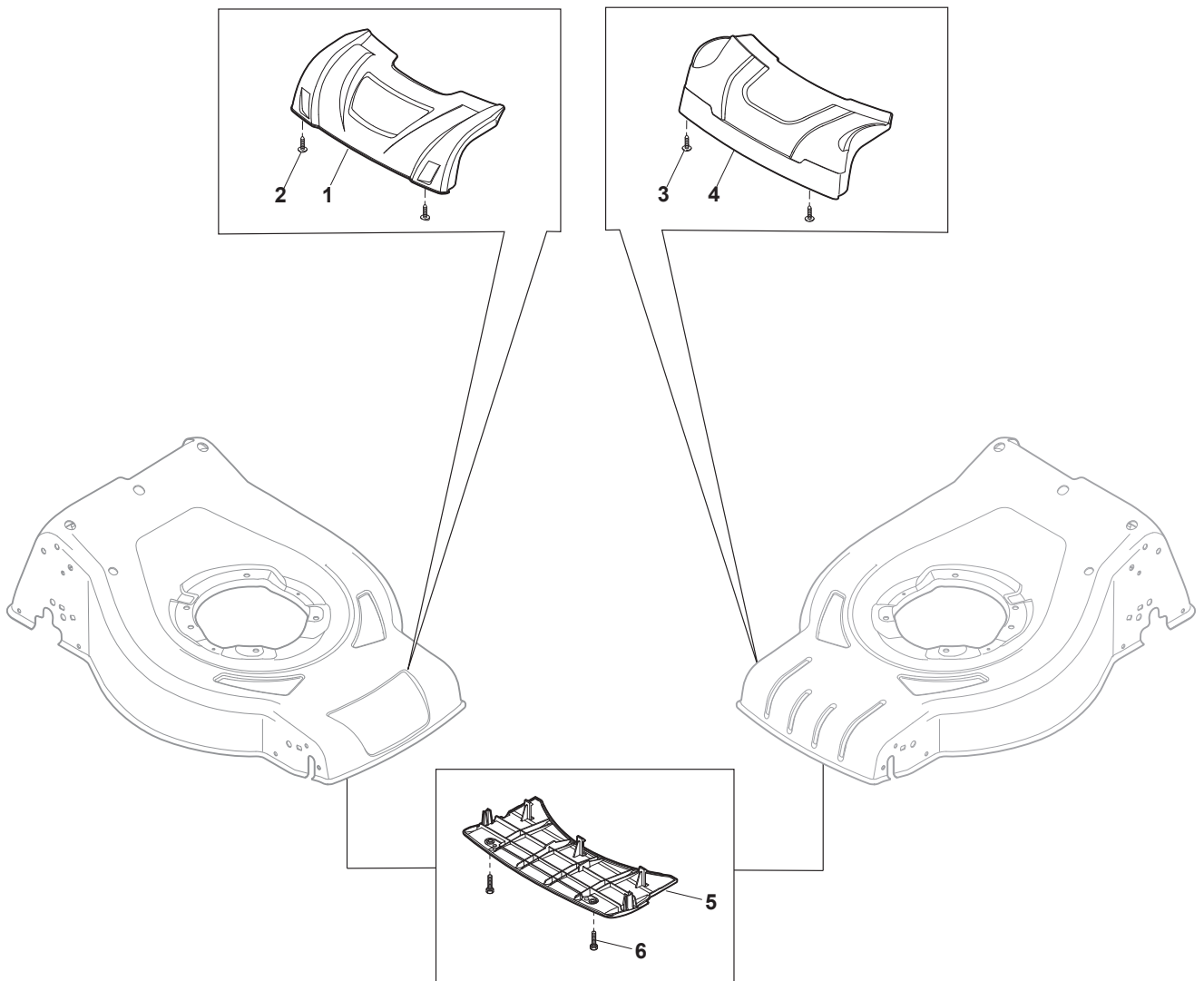


Fig.	Quantity	Part No	Description	Notes
1	1	381302853/0	Front Wheel Axle	
2	2	322545142/0	Plate	
3	4	112728698/0	Screw	
4	2	112521350/0	Washer	
5	2	112155000/0	Nut	
6	2	112436051/0	Plate	
7	1	322869677/0	Rod, Height Adjustment	
8	2	122519823/0	Pin	
9	1	122446193/0	Spring	
11	4	112728698/0	Screw	
12	2	322545152/0	Plate	
13	1	381302851/0	Rear Wheel Axle	
14	1	122534131/0	Pin	
15	1	381003356/0	Wheels Rear Adj. Lever	
16	1	122446192/0	Spring	
17	1	112154510/0	Nut	
18	2	322600239/0	Protection, Wheel	
21	2	112521350/0	Washer	
22	2	112155000/0	Nut	



CRC-CSC 534 SE - CRC-CSC 534 SQE

WBH Petrol Steel Mask

Issue 9 - 2015

Fig.	Quantity	Part No	Description	Notes
1	1	322226169/0	Mask, Black	
2	2	112728698/0	Screw	
3	2	112728698/0	Screw	
4	1	322226171/0	Mask, Black	
5	1	322500107/0	Front Combi	
6	2	112728698/0	Screw	

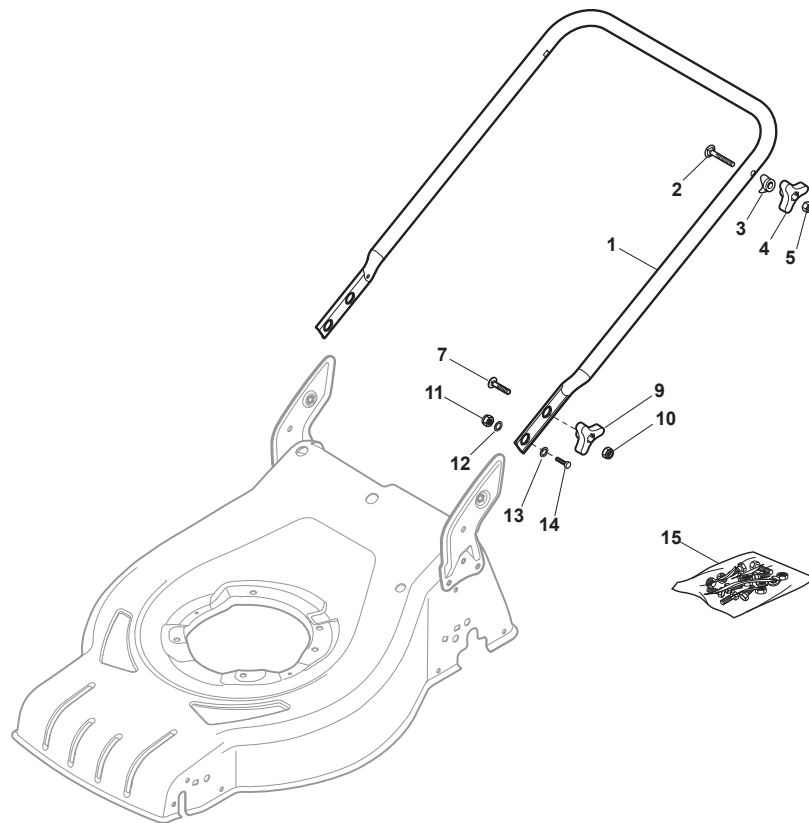


Fig.	Quantity	Part No	Description	Notes
1	1	381007538/0	Handle, Lower Part Yellow	Yellow
2	2	112819110/0	Screw	
3	2	122671651/0	Washer	
4	2	122399900/0	Knob	Black
4	2	322399840/0	Yellow Knob	Yellow
4	2	322399846/0	Red Knob	Red
5	2	112293200/0	Nut	
7	2	112818900/0	Screw	
9	2	122399900/0	Knob	Black
9	2	322399840/0	Yellow Knob	Yellow
9	2	322399846/0	Red Knob	Red
10	2	112293200/0	Nut	
11	2	112155000/0	Nut	
12	2	112521350/0	Washer	
13	2	112369500/0	Elastic Washer	
14	2	112760605/0	Screw	
15	1	381008691/0	Outfit, Screws	Black
15	1	381008692/0	Outfit, Screws	Yellow
15	1	381008695/0	Outfit, Screws	Red
1	1	381006785/0	Handle Lower Part	Black

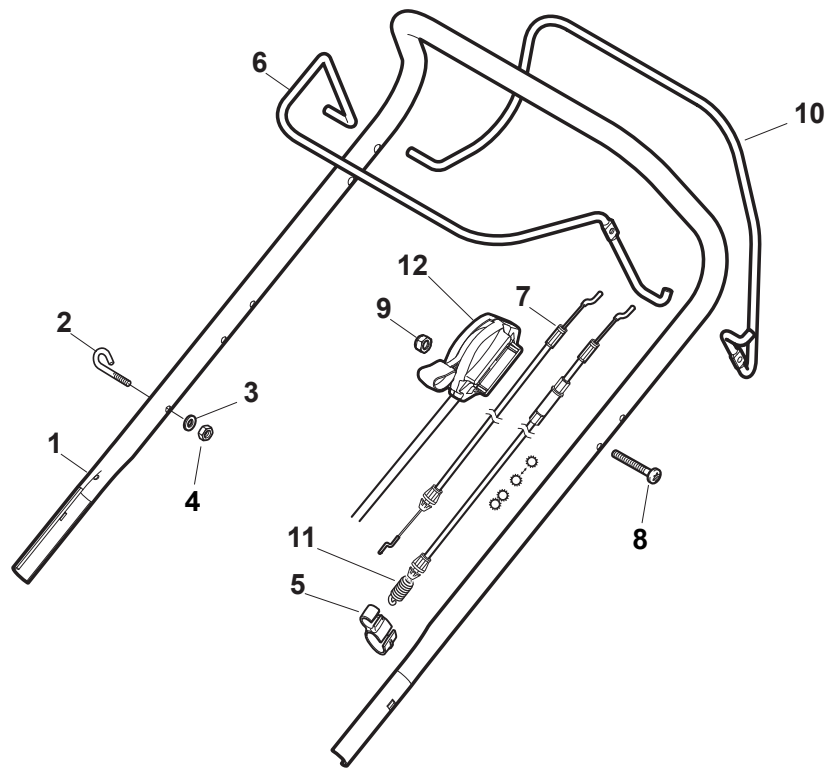


Fig.	Quantity	Part No	Description	Notes
1	1	381006739/1	Handle, Upper Part	Black
1	1	381006745/1	Handle, Upper Part with sponge handgrip	Black
1	1	381006753/0	Handle, Upper Part Yellow	Yellow
2	1	122430313/0	Guide Spring	
3	1	112521330/0	Washer	
4	1	112154510/0	Nut	
5	1	118390020/0	Conduit Clip Caproeurope	
6	1	181003363/1	Lever, Engine Brake Black	Black
6	1	381003365/0	Lever, Engine Brake Yellow	Yellow
6	1	381003376/0	Lever, Engine Brake Red	Red
7	1	181030087/0	Cable, Thread Engine Brake	GGP /B&S Engine
7	1	181030088/0	Cable, Thread Engine Brake	for Honda Engine
8	1	112727788/0	Screw	
9	1	112154510/0	Nut	
10	1	181003364/0	Drive Control Lever	Black
10	1	381003366/0	Lever, Driving Yellow	Yellow
10	1	381003377/0	Drive Control Lever	Red
11	1	381030051/0	Cable Rear Drive	
12	1	181005512/0	Throttle Cable	for GGP Engine
12	1	181005512/0	Throttle Cable	for HONDA GCV135-160 Engine
12	1	181005513/0	Throttle Cable	for HONDA GCV190 Engine
12	1	181005516/0	Throttle Cable	for B&S Engine
12	1	181005525/0	Throttle Cable	for B&S E Engine

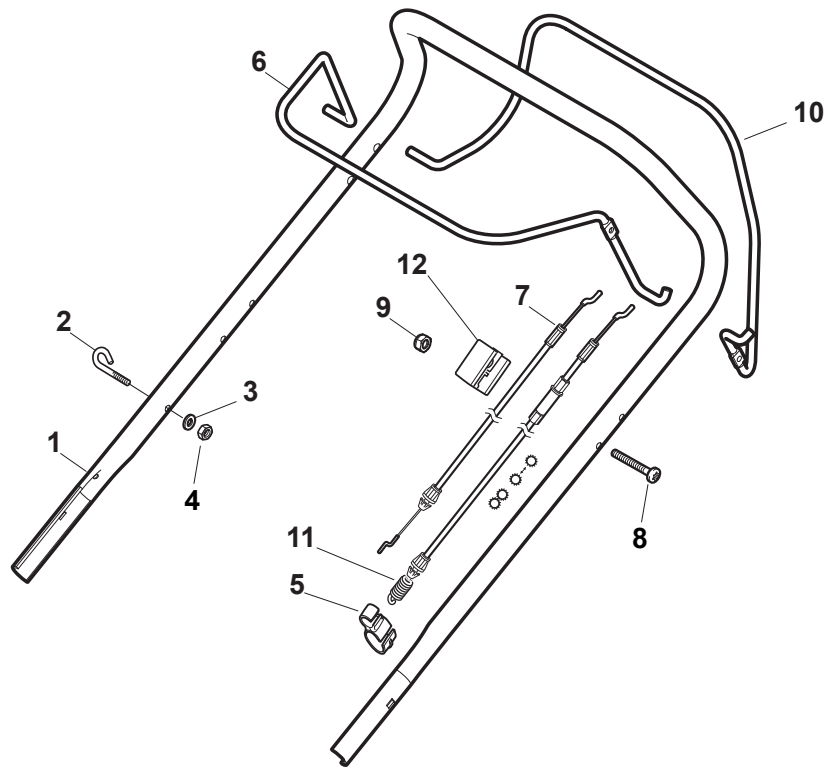
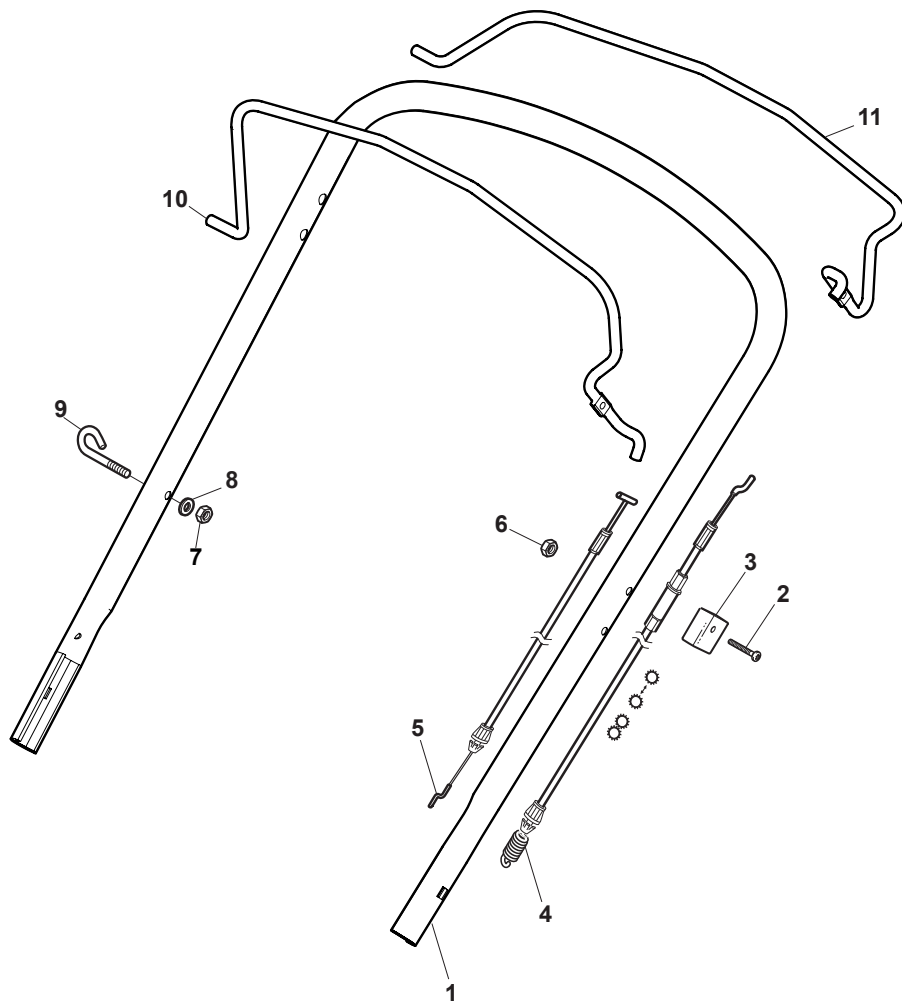


Fig.	Quantity	Part No	Description	Notes
1	1	381006739/1	Handle, Upper Part	Black
1	1	381006745/1	Handle, Upper Part with sponge handgrip	Black
1	1	381006753/0	Handle, Upper Part Yellow	Yellow
2	1	122430313/0	Guide Spring	
3	1	112521330/0	Washer	
4	1	112154510/0	Nut	
5	1	118390020/0	Conduit Clip Caproeuropa	
6	1	181003363/1	Lever, Engine Brake Black	Black
6	1	381003365/0	Lever, Engine Brake Yellow	Yellow
6	1	381003376/0	Lever, Engine Brake Red	Red
7	1	181030087/0	Cable, Thread Engine Brake	for GGP /B&S Engine
7	1	181030088/0	Cable, Thread Engine Brake	for Honda Engine
8	1	112727783/0	Screw	
9	1	112154510/0	Nut	
10	1	181003364/0	Drive Control Lever	Black
10	1	381003366/0	Lever, Driving Yellow	Yellow
10	1	381003377/0	Drive Control Lever	Red
11	1	381030051/0	Cable Rear Drive	
12	1	322551640/0	Plate	



CRC-CSC 534 SE - CRC-CSC 534 SQE

WBH Petrol Steel Handle, Upper Part

Issue 9 - 2015

Fig.	Quantity	Part No	Description	Notes
1	1	381006740/0	Handle, Upper Part	
2	1	112727783/0	Screw	
3	1	322551640/0	Plate	
4	1	381030085/0	Cable Rear Drive	
5	1	181030089/0	Cable, Thread Engine Brake	B&S / GGP / Honda Engine
6	1	112154510/0	Nut	
7	1	112154510/0	Nut	
8	1	112521330/0	Washer	
9	1	122430313/0	Guide Spring	
10	1	181003369/0	Lever, Engine Brake	
11	1	181003371/0	Driving Lever	

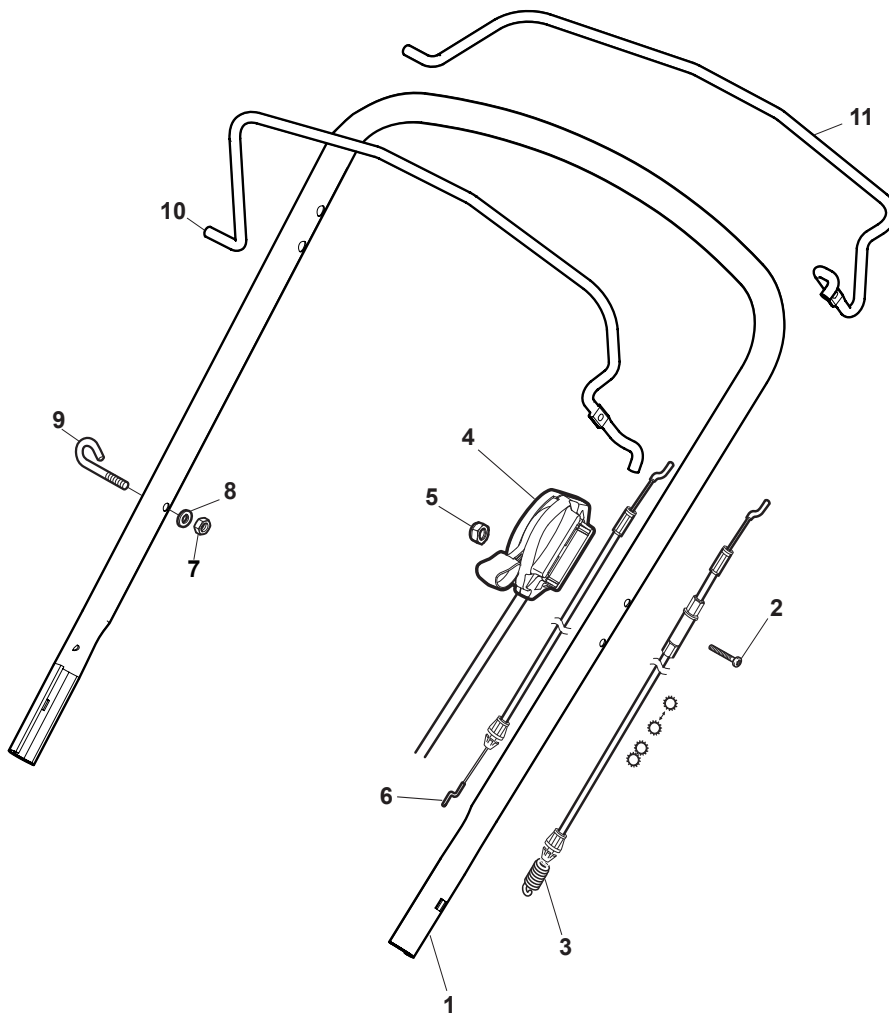


Fig.	Quantity	Part No	Description	Notes
1	1	381006740/0	Handle, Upper Part	
2	1	112727788/0	Screw	
3	1	381030085/0	Cable Rear Drive	
4	1	181005524/0	Throttle Cable	for Honda GCV 135 Engine
4	1	181005527/0	Throttle Cable	for Honda GCV 160 / GGP Engine
4	1	181005528/0	Throttle Cable	for B&S Engine
4	1	181005529/0	Throttle Cable	for B&S 850 Series
4	1	181005531/0	Throttle Cable	for Honda GCV 190 Engine
5	1	112154510/0	Nut	
6	1	181030089/0	Cable, Thread Engine Brake	for B&S / GGP / Honda Engine
7	1	112154510/0	Nut	
8	1	112521330/0	Washer	
9	1	122430313/0	Guide Spring	
10	1	181003369/0	Lever, Engine Brake	
11	1	181003371/0	Driving Lever	

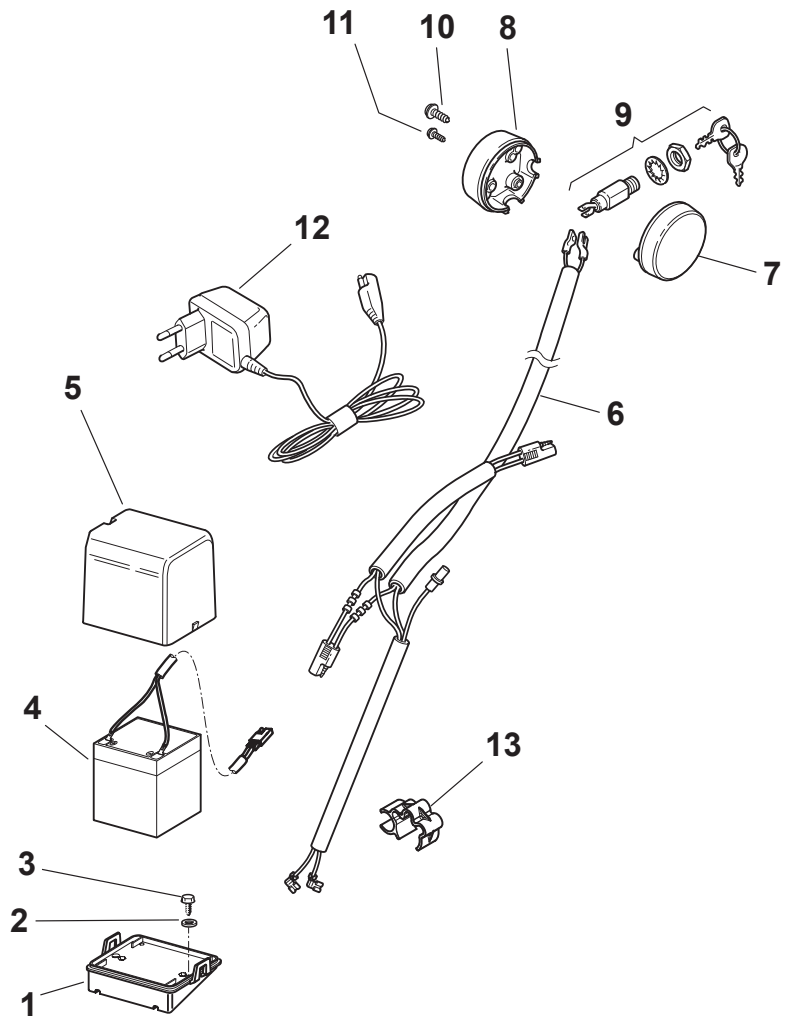
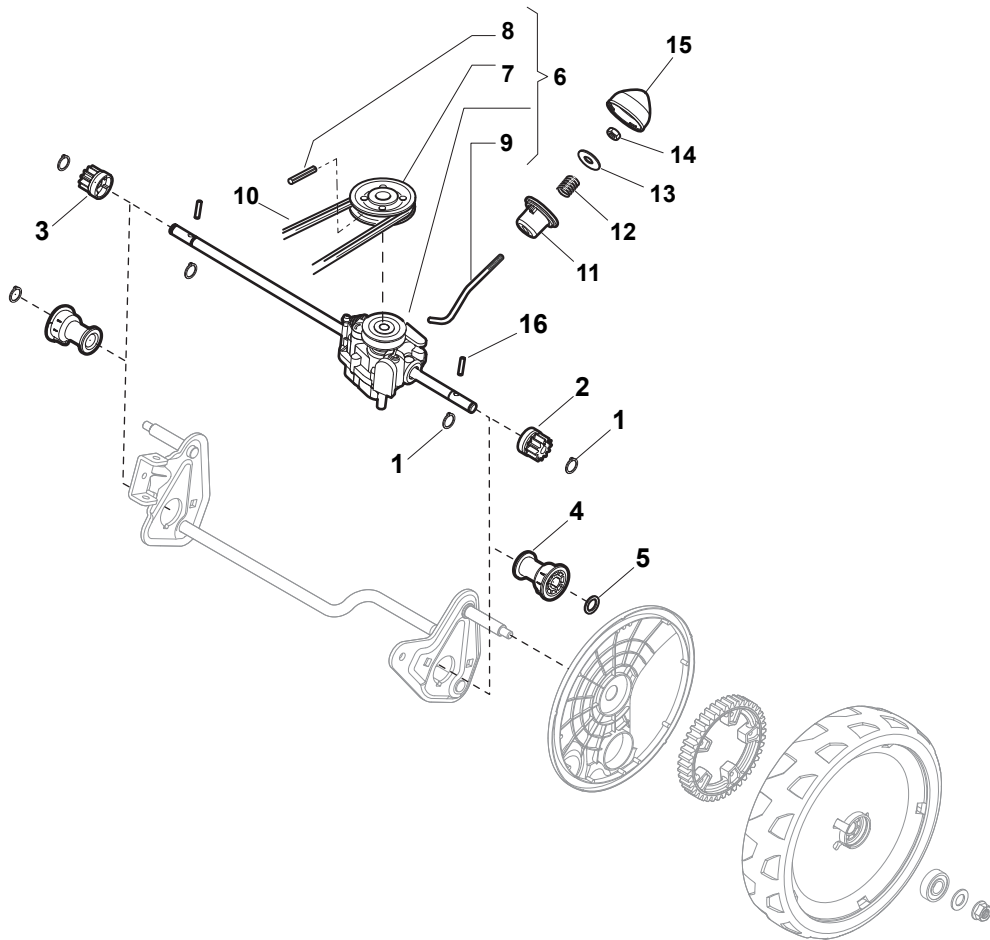


Fig.	Quantity	Part No	Description	Notes
1	1	322785123/0	Battery Support	
2	2	112521310/0	Washer	
3	2	112731590/0	Screw	
4	1	118120052/0	Battery	
5	1	322109530/0	Battery Cover	
6	1	118204192/3	Electric Start Wire	
7	1	322722800/0	Starting Block Inner Half-Bearing	
8	1	322722801/0	Starting Block Outer Half-Bearing	
9	1	118450051/0	Switch	
10	1	112728691/0	Screw	
11	2	112728702/0	Screw	
12	1	118204120/0	Battery Charger	CE plugg
12	1	118204121/0	Battery Charger	UK plugg
13	1	118390021/0	Conduit Clip Caproeurope	



CRC-CSC 534 SE - CRC-CSC 534 SQE

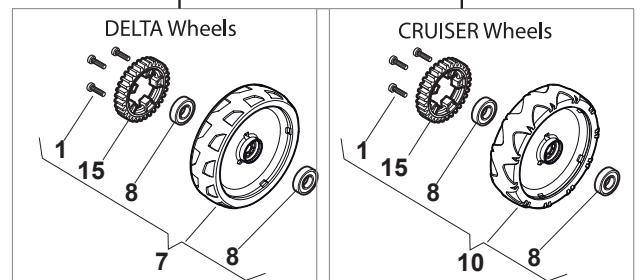
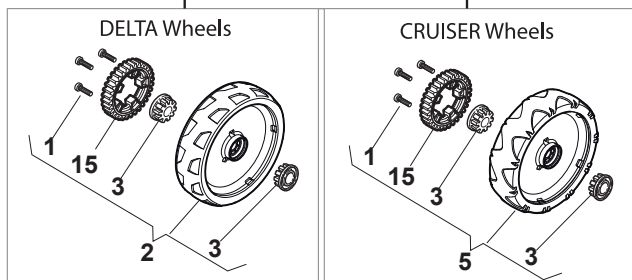
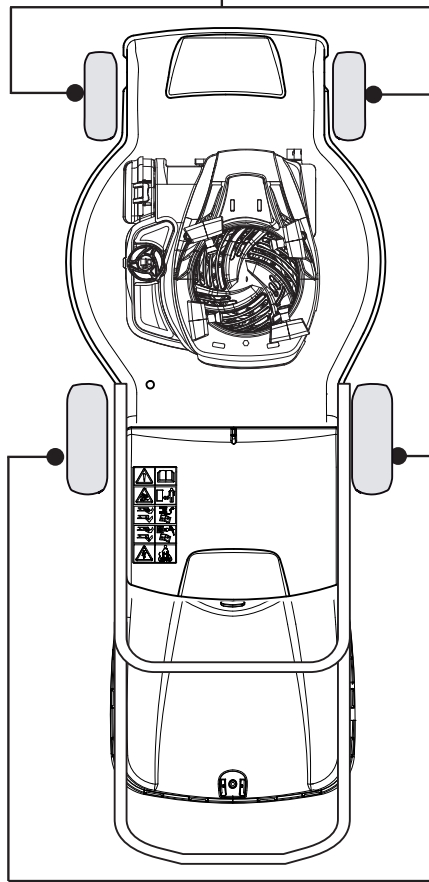
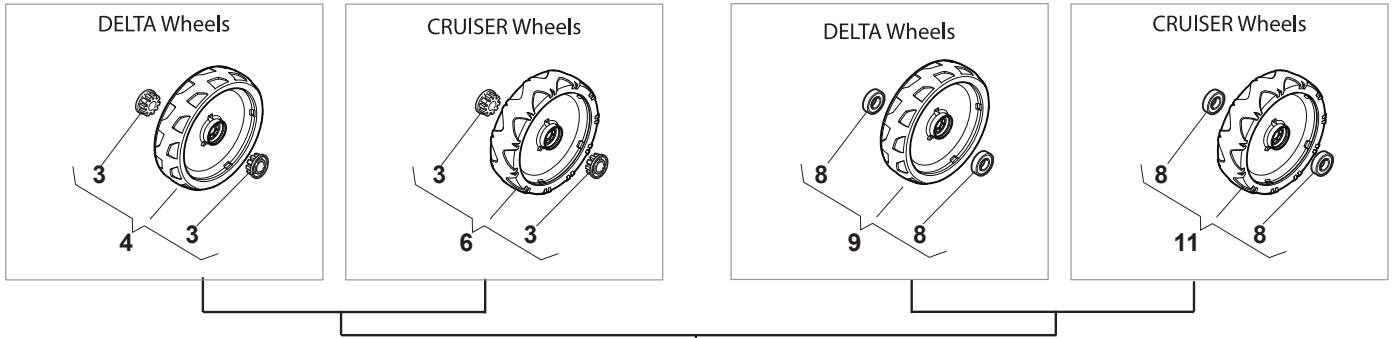
WBH Petrol Steel Transmission

Issue 9 - 2015

Fig.	Quantity	Part No	Description	Notes
1	4	112608600/0	Seeger	
2	1	122570134/0	Left Pinion	
3	1	122570133/0	Right Pinion	
4	2	322042066/0	Bushing	
5	2	112521371/0	Washer	
6	1	181003092/0	Gear Box	
7	1	122601904/0	Pulley	
8	1	112645700/0	Elastic Pin	
9	1	122033283/0	Adjustment Rod	
10	1	135064196/0	Belt	
11	1	122041957/1	Bushing	
12	1	122450063/0	Spring	
13	1	322680009/0	Washer	
14	1	112154510/0	Nut	
15	1	122110230/0	Hub Cover	
16	2	122753000/0	Pin	

Bushing - Ø180

Ball Bearing - Ø180



Bushing - Ø180

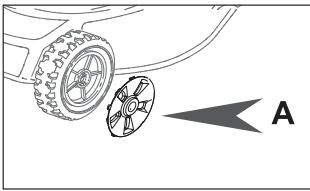
Ball Bearing - Ø180

CRC-CSC 534 SE - CRC-CSC 534 SQE

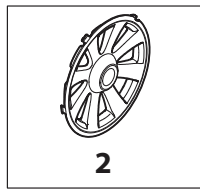
WBH Petrol Steel Wheels and Hub Caps

Issue 9 - 2015

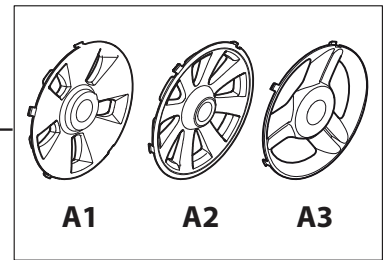
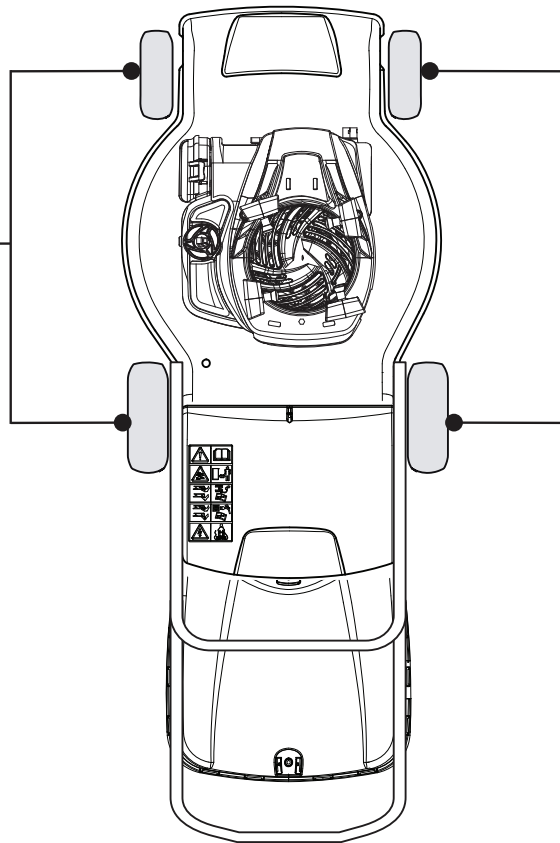
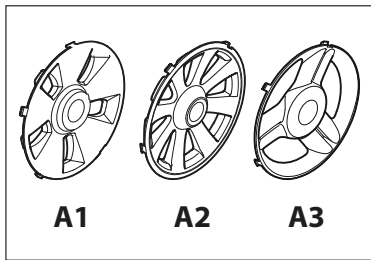
Fig.	Quantity	Part No	Description	Notes
1	6	112728706/0	Screw	
2	2	381007460/1	Wheel	
3	8	322042064/0	Bushing	
4	2	381007442/1	Wheel	
5	2	381007464/1	Wheel	
6	2	381007445/1	Wheel	
7	2	381007461/1	Wheel	
8	8	119216035/0	Bearing	
9	2	381007448/1	Wheel	
10	2	381007465/1	Wheel	
11	2	381007455/1	Wheel	
15	2	322120116/0	Wheels Crown	



+



= A2

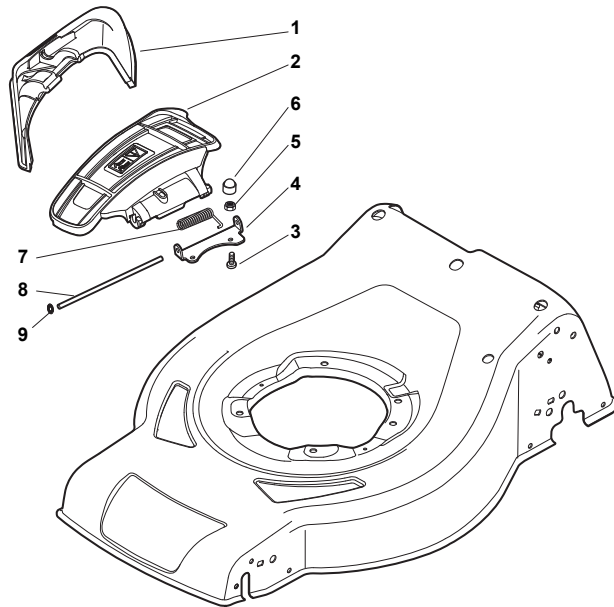


CRC-CSC 534 SE - CRC-CSC 534 SQE

WBH Petrol Steel Wheelcaps

Issue 9 - 2015

Fig.	Quantity	Part No	Description	Notes
A1	4	322110643/0	Hub Cap Grey	
A2	4	322110645/0	Hub Cap Grey	
A3	4	322110687/0	Hub Cap Grey	



CRC-CSC 534 SE - CRC-CSC 534 SQE

WBH Petrol Steel Protection, Belt

Issue 9 - 2015

Fig.	Quantity	Part No	Description	Notes
1	1	322108309/1	Rear Conveyor Assy	Black
2	1	322600314/0	Ejection Guard	
8	1	122517869/1	Pin	
3	2	112727803/0	Screw	
4	1	322806639/0	Fulcrum Pin	
5	2	112154510/0	Nut	
6	2	118203853/0	Screw	
7	1	122450456/0	Spring	
9	2	112604896/0	Crown Fastener	

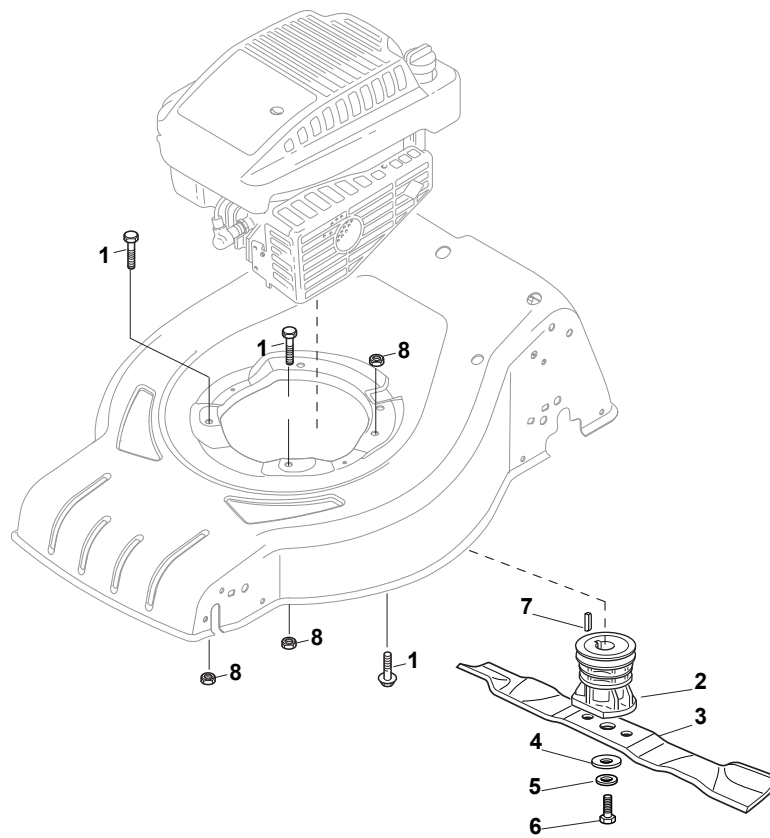


Fig.	Quantity	Part No	Description	Notes
1	2	112691100/0	Screw	for B&S Engine
1	3	112691115/0	Screw	for HONDA Engine / for GGP Engine
1	1	112691800/0	Screw	for B&S Engine
2	1	122465607/3	Hub With Pulley, Crankshaft Ø 22.2	for B&S and GGP Engines
2	1	122465608/2	Hub With Pulley, Crankshaft Ø 25	for HONDA Engines
3	1	181004459/0	Blade	
4	1	122160400/0	Elastic Disc	
5	1	112523080/0	Washer	
6	1	112735698/0	Screw	
7	1	112139100/0	Feather, Crankshaft Ø 22,2	for B&S and GGP Engines
7	1	112139150/0	Feather, Crankshaft Ø 25	for HONDA Engines
8	3	112154210/0	Nut	

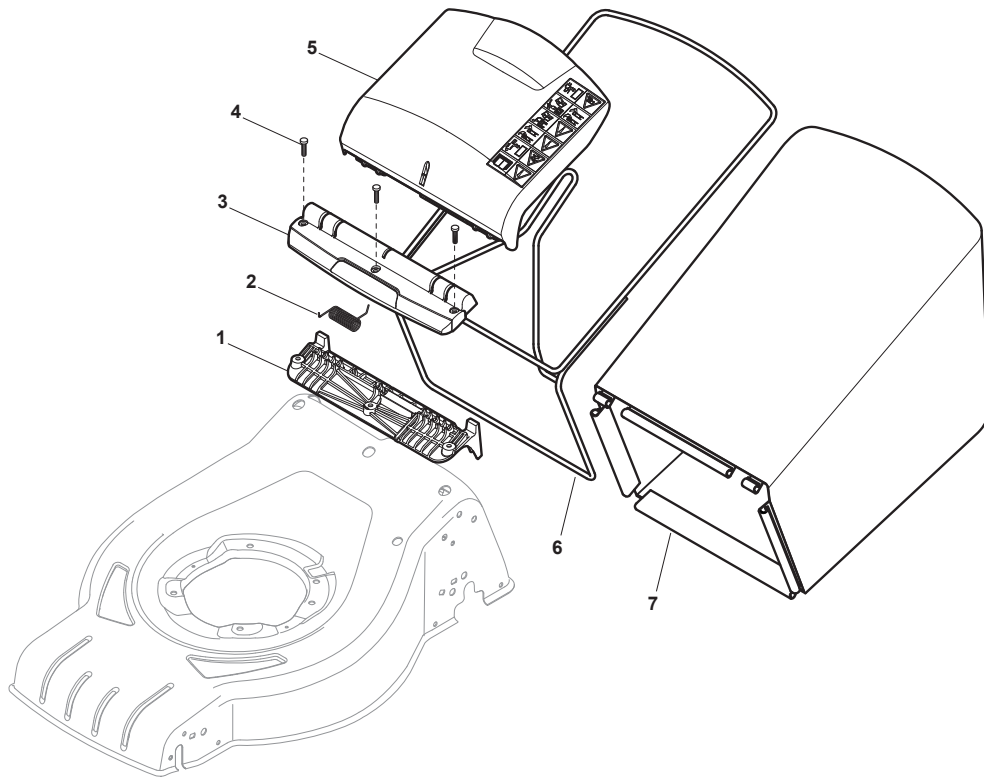


Fig.	Quantity	Part No	Description	Notes
1	1	322785331/0	Black Stone Guard Support	
2	1	122450464/0	Spring	
3	1	322109554/0	Stone Guard Supp. Cover Black	Black
3	1	322109557/0	Stone Guard Supp. Cover Grey	Grey
3	1	322109556/0	Stone Guard Supp. Cover Yellow	Yellow
4	3	112728699/0	Screw	
5	1	322600206/1	Stone Guard, Black	Black
5	1	322600216/1	Stone Guard, Grey	Grey
5	1	322600214/1	Stone Guard, Yellow	Yellow
6	1	181006409/0	Textile Grasscatcher Frame	
7	1	181002319/0	Textile Grasscatcher Black	

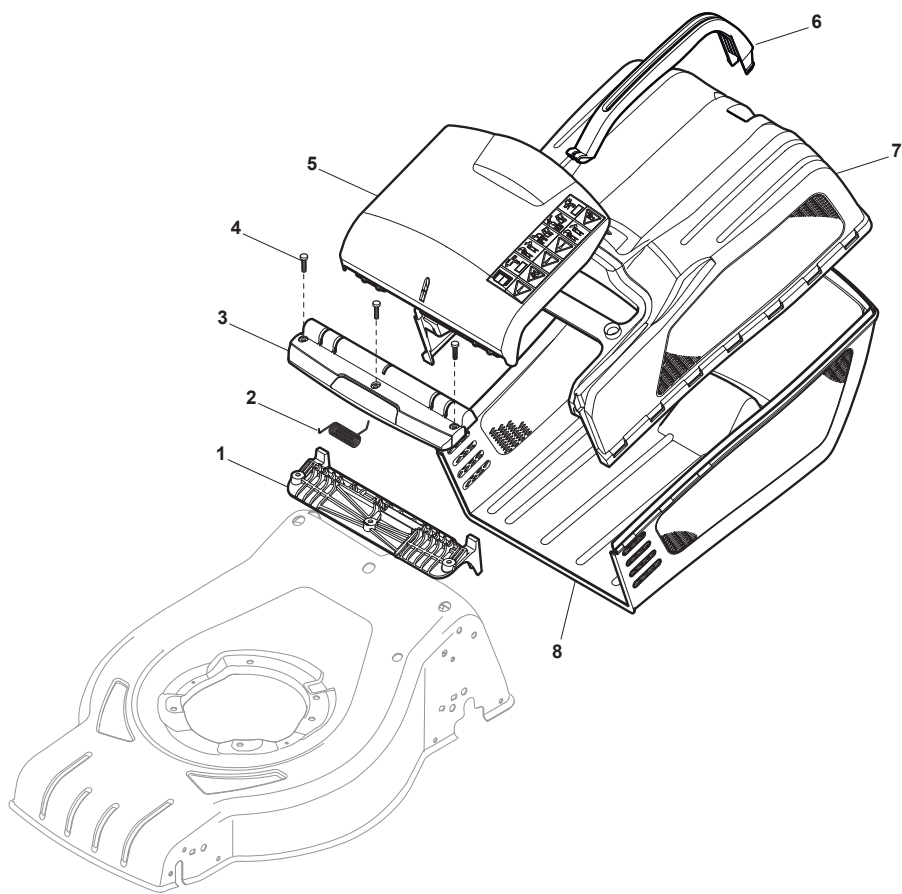


Fig.	Quantity	Part No	Description	Notes
1	1	322785331/0	Black Stone Guard Support	
2	1	122450464/0	Spring	
3	1	322109554/0	Stone Guard Supp. Cover Black	Black
3	1	322109557/0	Stone Guard Supp. Cover Grey	Grey
3	1	322109556/0	Stone Guard Supp. Cover Yellow	Yellow
4	3	112728699/0	Screw	
5	1	322600206/1	Stone Guard, Black	Black
5	1	322600216/1	Stone Guard, Grey	Grey
5	1	322600214/1	Stone Guard, Yellow	Yellow
6	1	322393643/0	Handle, Black	Black
6	1	322393645/0	Grasscatcher Handle	Grey
6	1	322393716/0	Handle, Grey	Grey NCSS-N
7	1	322486260/0	Grasscatcher Upper Part, Black	Black
7	1	322486263/0	Grasscatcher Upper Part Grey	Grey
7	1	322486387/0	Grassbox Upper Part, Grey	Grey NCSS-N
8	1	322486261/0	Grasscatcher Lower Part, Black	Black
8	1	322486267/0	Grasscatcher Lower Part Grey	Grey
8	1	322486388/0	Grassbox Lower Part, Grey	Grey NCSS-N

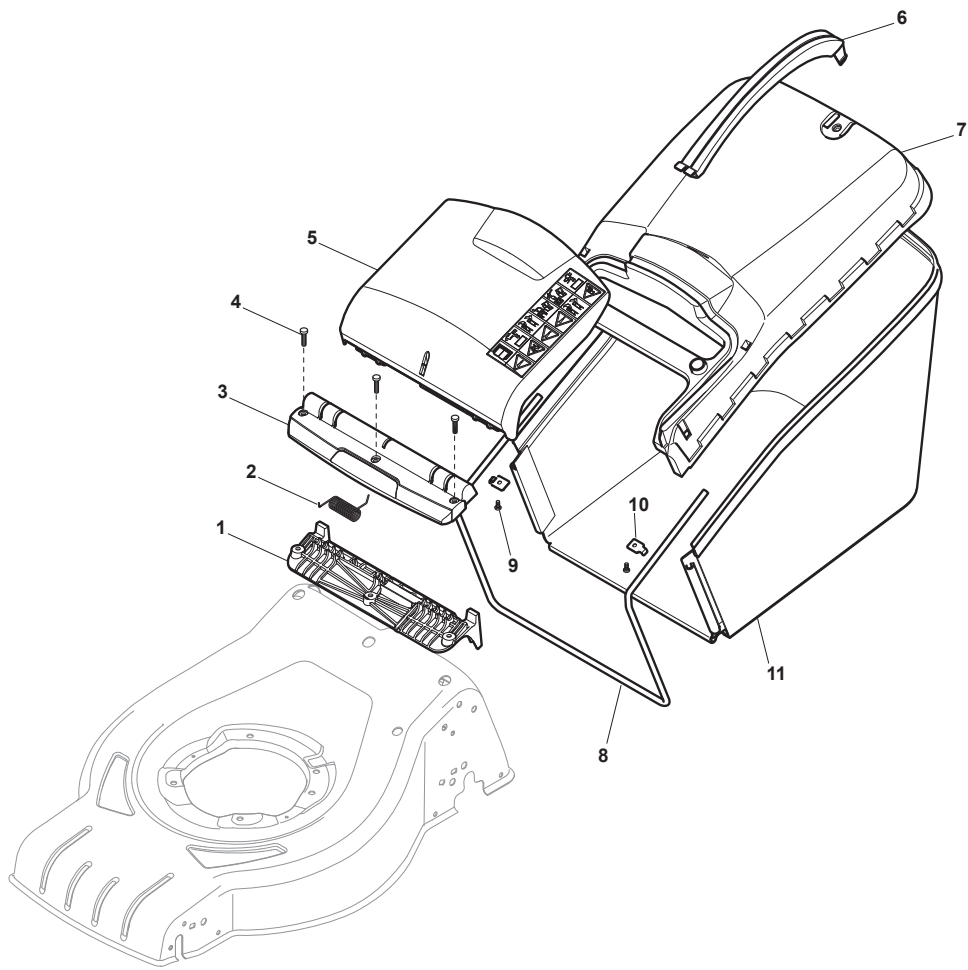


Fig.	Quantity	Part No	Description	Notes
1	1	322785331/0	Black Stone Guard Support	
2	1	122450464/0	Spring	
3	1	322109554/0	Stone Guard Supp. Cover Black	Black
3	1	322109557/0	Stone Guard Supp. Cover Grey	Grey
3	1	322109556/0	Stone Guard Supp. Cover Yellow	Yellow
4	3	112728699/0	Screw	
5	1	322600206/1	Stone Guard, Black	Black
5	1	322600216/1	Stone Guard, Grey	Grey
5	1	322600214/1	Stone Guard, Yellow	Yellow
6	1	322393644/0	Handle, Black	Black
6	1	322393649/0	Handle, Grey	Grey
6	1	322393646/0	Handle, Yellow	Yellow
7	7	322486262/0	Grasscatcher Upper Part, Black	Black
7	1	322486270/0	Grass Upper Hybrid Grey	Grey
7	1	322486264/0	Grass Upper Hybrid Yellow	Yellow
8	1	122608561/0	Grasscatcher Lower Stiffening Cruiser	
9	2	112728692/0	Screw	
10	2	322545159/0	Plate	
11	1	181002318/0	Box, Fabric	

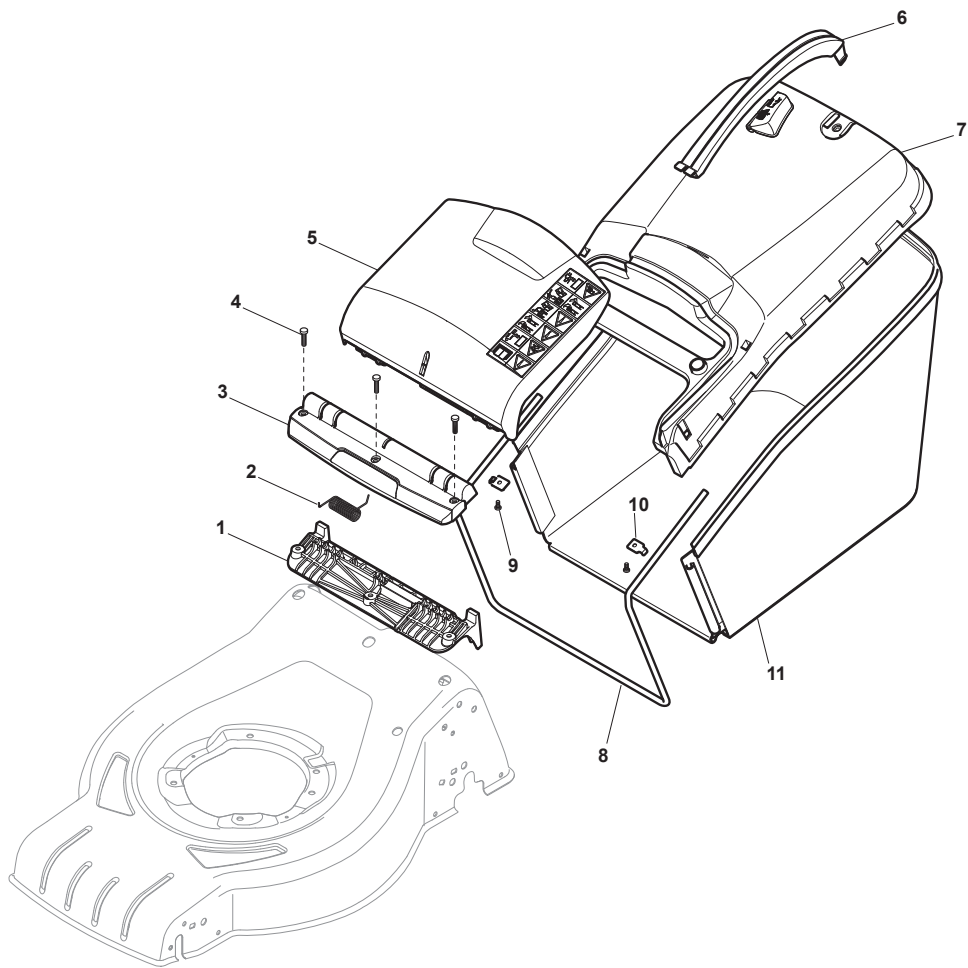


Fig.	Quantity	Part No	Description	Notes
1	1	322785331/0	Black Stone Guard Support	
2	1	122450464/0	Spring	
3	1	322109554/0	Stone Guard Supp. Cover Black	Black
3	1	322109556/0	Stone Guard Supp. Cover Yellow	Yellow
4	3	112728699/0	Screw	
5	1	322600206/1	Stone Guard, Black	Black
5	1	322600214/1	Stone Guard, Yellow	Yellow
6	1	322393644/0	Handle, Black	Black
6	1	322393715/0	Handle, Grey	Grey NCSS-N
6	1	322393646/0	Handle, Yellow	Yellow
7	1	381486018/0	Grass-Box, Upper Part Black	Black
7	1	381486016/0A	Grass-Box, Upper Part Yellow	Yellow
8	1	122608561/0	Grasscatcher Lower Stiffening Cruiser	
9	2	112728692/0	Screw	
10	2	322545159/0	Plate	
11	1	181002318/0	Box, Fabric	

code	pos.	q.ty	page									
112139100/0	7	1	p. 31	112731590/0	3	2	p. 21	181005528/0	4	1	p. 19	
112139150/0	7	1	p. 31	112735698/0	6	1	p. 31	181005529/0	4	1	p. 19	
112154210/0	8	3	p. 31	112760605/0	14	2	p. 11	181005531/0	4	1	p. 19	
112154510/0	4	1	p. 13	112818900/0	7	2	p. 11	181006409/0	6	1	p. 33	
112154510/0	4	1	p. 15	112819110/0	2	2	p. 11	181030087/0	7	1	p. 13	
112154510/0	5	1	p. 19	118120052/0	4	1	p. 21	181030087/0	7	1	p. 15	
112154510/0	5	2	p. 29	118203853/0	6	2	p. 29	181030088/0	7	1	p. 13	
112154510/0	6	1	p. 17	118204120/0	12	1	p. 21	181030088/0	7	1	p. 15	
112154510/0	7	1	p. 17	118204121/0	12	1	p. 21	181030089/0	5	1	p. 17	
112154510/0	7	1	p. 19	118204192/3	6	1	p. 21	181030089/0	6	1	p. 19	
112154510/0	9	1	p. 13	118390020/0	5	1	p. 13	322042064/0	3	8	p. 25	
112154510/0	9	1	p. 15	118390020/0	5	1	p. 15	322042066/0	4	2	p. 23	
112154510/0	14	1	p. 23	118390021/0	13	1	p. 21	322060250/0	10	1	p. 3	
112154510/0	17	1	p. 7	118450051/0	9	1	p. 21	322060250/0	10	1	p. 5	
112155000/0	5	2	p. 7	119216035/0	8	8	p. 25	322108302/0	4	1	p. 3	
112155000/0	11	2	p. 11	122033283/0	9	1	p. 23	322108302/0	4	1	p. 5	
112155000/0	22	2	p. 7	122041957/1	11	1	p. 23	322108308/0	2	1	p. 3	
112293200/0	5	2	p. 11	122110230/0	15	1	p. 23	322108308/0	2	1	p. 5	
112293200/0	10	2	p. 11	122160400/0	4	1	p. 31	322108309/1	1	1	p. 29	
112369500/0	13	2	p. 11	122399900/0	4	2	p. 11	322109530/0	5	1	p. 21	
112436051/0	6	2	p. 7	122399900/0	9	2	p. 11	322109554/0	3	1	p. 33	
112521310/0	2	2	p. 21	122430313/0	2	1	p. 13	322109554/0	3	1	p. 35	
112521330/0	3	1	p. 13	122430313/0	2	1	p. 15	322109554/0	3	1	p. 37	
112521330/0	3	1	p. 15	122430313/0	9	1	p. 17	322109554/0	3	1	p. 39	
112521330/0	8	1	p. 17	122430313/0	9	1	p. 19	322109556/0	3	1	p. 33	
112521330/0	8	1	p. 19	122446192/0	16	1	p. 7	322109556/0	3	1	p. 35	
112521350/0	4	2	p. 7	122446193/0	9	1	p. 7	322109556/0	3	1	p. 37	
112521350/0	12	2	p. 11	122450063/0	12	1	p. 23	322109556/0	3	1	p. 39	
112521350/0	21	2	p. 7	122450456/0	7	1	p. 29	322109557/0	3	1	p. 33	
112521371/0	5	2	p. 23	122450464/0	2	1	p. 33	322109557/0	3	1	p. 35	
112523080/0	5	1	p. 31	122450464/0	2	1	p. 35	322109557/0	3	1	p. 37	
112604896/0	9	2	p. 29	122450464/0	2	1	p. 37	322110643/0	A1	4	p. 27	
112608600/0	1	4	p. 23	122450464/0	2	1	p. 39	322110645/0	A2	4	p. 27	
112645700/0	8	1	p. 23	122465607/3	2	1	p. 31	322110687/0	A3	4	p. 27	
112691100/0	1	2	p. 31	122465608/2	2	1	p. 31	322120116/0	15	2	p. 25	
112691115/0	1	3	p. 31	122517869/1	8	1	p. 29	322140244/0	11	1	p. 3	
112691800/0	1	1	p. 31	122519823/0	8	2	p. 7	322140244/0	11	1	p. 5	
112727783/0	2	1	p. 17	122534131/0	14	1	p. 7	322226169/0	1	1	p. 9	
112727783/0	8	1	p. 15	122570133/0	3	1	p. 23	322226171/0	4	1	p. 9	
112727788/0	2	1	p. 19	122570134/0	2	1	p. 23	322393643/0	6	1	p. 35	
112727788/0	8	1	p. 13	122601904/0	7	1	p. 23	322393644/0	6	1	p. 37	
112727801/0	8	6	p. 3	122608561/0	8	1	p. 37	322393644/0	6	1	p. 39	
112727801/0	8	6	p. 5	122608561/0	8	1	p. 39	322393645/0	6	1	p. 35	
112727803/0	3	2	p. 29	122671651/0	3	2	p. 11	322393646/0	6	1	p. 37	
112728530/0	12	2	p. 3	122753000/0	16	2	p. 23	322393646/0	6	1	p. 39	
112728530/0	12	2	p. 5	135064196/0	10	1	p. 23	322393649/0	6	1	p. 37	
112728691/0	10	1	p. 21	181002318/0	11	1	p. 37	322393715/0	6	1	p. 39	
112728692/0	9	2	p. 37	181002318/0	11	1	p. 39	322393716/0	6	1	p. 35	
112728692/0	9	2	p. 39	181002319/0	7	1	p. 33	322399840/0	4	2	p. 11	
112728698/0	2	2	p. 9	181003092/0	6	1	p. 23	322399840/0	9	2	p. 11	
112728698/0	3	2	p. 9	181003363/1	6	1	p. 13	322399846/0	4	2	p. 11	
112728698/0	3	4	p. 7	181003363/1	6	1	p. 15	322399846/0	9	2	p. 11	
112728698/0	6	2	p. 9	181003364/0	10	1	p. 13	322486260/0	7	1	p. 35	
112728698/0	11	4	p. 7	181003364/0	10	1	p. 15	322486261/0	8	1	p. 35	
112728699/0	3	6	p. 3	181003369/0	10	1	p. 17	322486262/0	7	7	p. 37	
112728699/0	3	6	p. 5	181003369/0	10	1	p. 19	322486263/0	7	1	p. 35	
112728699/0	4	3	p. 33	181003371/0	11	1	p. 17	322486264/0	7	1	p. 37	
112728699/0	4	3	p. 35	181003371/0	11	1	p. 19	322486267/0	8	1	p. 35	
112728699/0	4	3	p. 37	181004459/0	3	1	p. 31	322486270/0	7	1	p. 37	
112728699/0	4	3	p. 39	181005512/0	12	1	p. 13	322486387/0	7	1	p. 35	
112728699/0	5	6	p. 3	181005512/0	12	1	p. 13	322486388/0	8	1	p. 35	
112728699/0	5	6	p. 5	181005513/0	12	1	p. 13	322500107/0	5	1	p. 9	
112728702/0	11	2	p. 21	181005516/0	12	1	p. 13	322545142/0	2	2	p. 7	
112728706/0	1	6	p. 25	181005524/0	4	1	p. 19	322545152/0	12	2	p. 7	
				181005525/0	12	1	p. 13	322545159/0	10	2	p. 37	
				181005527/0	4	1	p. 19	322545159/0	10	2	p. 39	

code	pos.	q.ty	page				
322545213/0	6	2	p. 3	381007538/0	1	1	p. 11
322545213/0	6	2	p. 5	381008691/0	15	1	p. 11
322551640/0	3	1	p. 17	381008692/0	15	1	p. 11
322551640/0	12	1	p. 15	381008695/0	15	1	p. 11
322600206/1	5	1	p. 33	381030051/0	11	1	p. 13
322600206/1	5	1	p. 35	381030051/0	11	1	p. 15
322600206/1	5	1	p. 37	381030085/0	3	1	p. 19
322600206/1	5	1	p. 39	381030085/0	4	1	p. 17
322600214/1	5	1	p. 33	381302851/0	13	1	p. 7
322600214/1	5	1	p. 35	381302853/0	1	1	p. 7
322600214/1	5	1	p. 37	381486016/0A	7	1	p. 39
322600214/1	5	1	p. 39	381486018/0	7	1	p. 39
322600216/1	5	1	p. 33				
322600216/1	5	1	p. 35				
322600216/1	5	1	p. 37				
322600239/0	18	2	p. 7				
322600314/0	2	1	p. 29				
322680009/0	13	1	p. 23				
322722800/0	7	1	p. 21				
322722801/0	8	1	p. 21				
322785123/0	1	1	p. 21				
322785331/0	1	1	p. 33				
322785331/0	1	1	p. 35				
322785331/0	1	1	p. 37				
322785331/0	1	1	p. 39				
322806639/0	4	1	p. 29				
322869677/0	7	1	p. 7				
381003356/0	15	1	p. 7				
381003365/0	6	1	p. 13				
381003365/0	6	1	p. 15				
381003366/0	10	1	p. 13				
381003366/0	10	1	p. 15				
381003376/0	6	1	p. 13				
381003376/0	6	1	p. 15				
381003377/0	10	1	p. 13				
381003377/0	10	1	p. 15				
381004546/0	1	1	p. 5				
381004547/0	1	1	p. 5				
381004549/0	1	1	p. 5				
381004550/0	1	1	p. 3				
381004615/0	1	1	p. 3				
381004617/0	1	1	p. 3				
381004730/0	1	1	p. 3				
381005137/0	9	1	p. 3				
381005137/0	9	1	p. 5				
381005139/0	7	1	p. 3				
381005139/0	7	1	p. 5				
381006739/1	1	1	p. 13				
381006739/1	1	1	p. 15				
381006740/0	1	1	p. 17				
381006740/0	1	1	p. 19				
381006745/1	1	1	p. 13				
381006745/1	1	1	p. 15				
381006753/0	1	1	p. 13				
381006753/0	1	1	p. 15				
381006785/0	1	1	p. 11				
381007442/1	4	2	p. 25				
381007445/1	6	2	p. 25				
381007448/1	9	2	p. 25				
381007455/1	11	2	p. 25				
381007460/1	2	2	p. 25				
381007461/1	7	2	p. 25				
381007464/1	5	2	p. 25				
381007465/1	10	2	p. 25				