

Parts Catalogue

for model
CR-CS 434 W

- Use GLOBAL GARDEN PRODUCT Genuine Spare Parts specified in the parts list for repair and/or replacement.
- The contents described in the parts list may change due to improvement.
- The drawings of the spare parts are only indicative and might not represent the part in question exactly.
- The indications "right" - "left" - "front" - "rear" refer to the position of the operator when using the machine.
- When placing orders of parts for repair and/or replacement, make sure that the illustrated parts list is the one applying to the machine's year of manufacture, as shown on the identification plate attached to the machine.

© Copyright 2015 Global Garden Products

All content is subject to copyright by Global Garden Products and may not be reproduced in whole or in part by any means, electronic or otherwise, without prior written approval.

THIS INFORMATION IS NOT INTENDED FOR SALE OR RESALE, AND THIS NOTICE MUST REMAIN ON ALL COPIES.



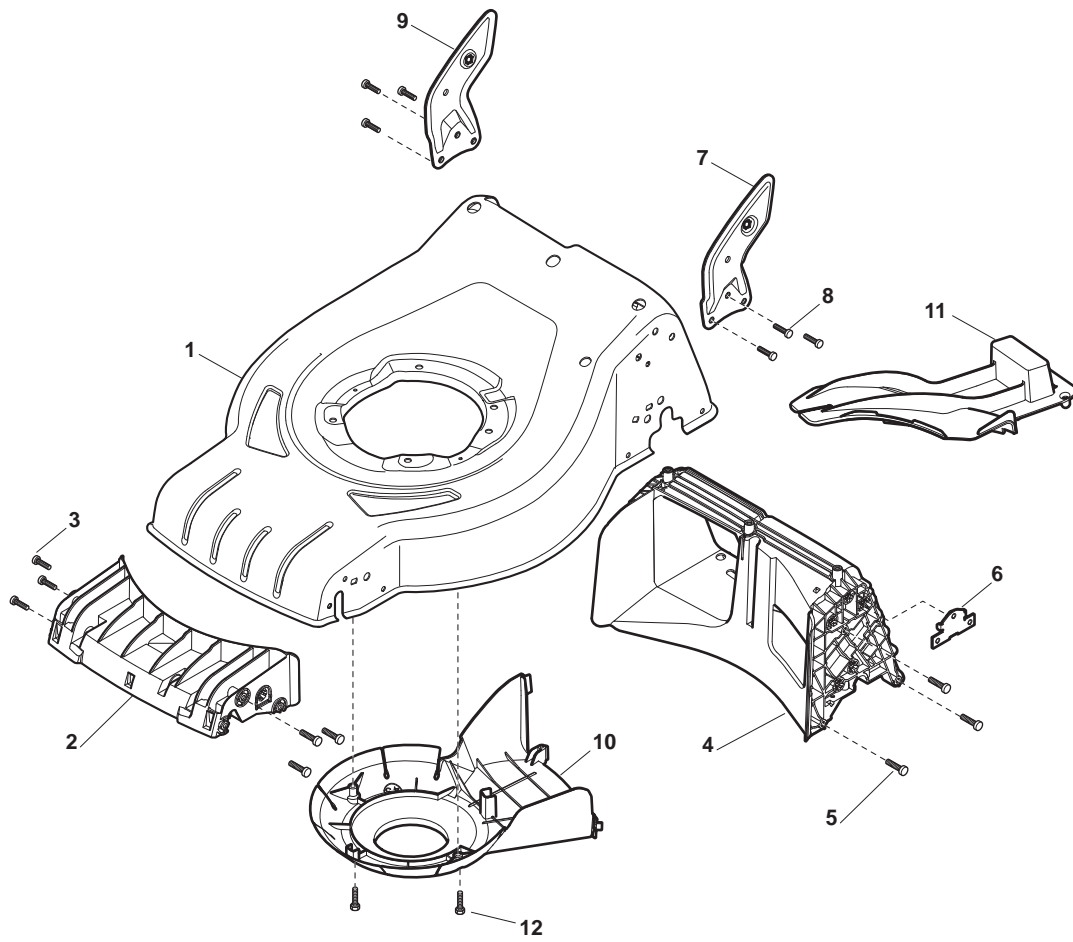


Fig.	Quantity	Part No	Description	Notes
2	1	322108300/1	Front Conveyor Assy	
1	1	381004017/0	Red Deck	
1	1	381004728/0	Grey Deck	
3	6	112728699/0	Screw	
4	1	322108302/0	Rear Conveyor Assy	
5	6	112728699/0	Screw	
6	2	322545213/0	Plate	
7	1	381005139/0	Left Bracket	
8	6	112727801/0	Screw	
9	1	381005137/0	Right Bracket	
10	1	322060241/0	Belt Protection	
11	1	322140240/0	Mulching Deflector	
12	2	112728530/0	Screw	

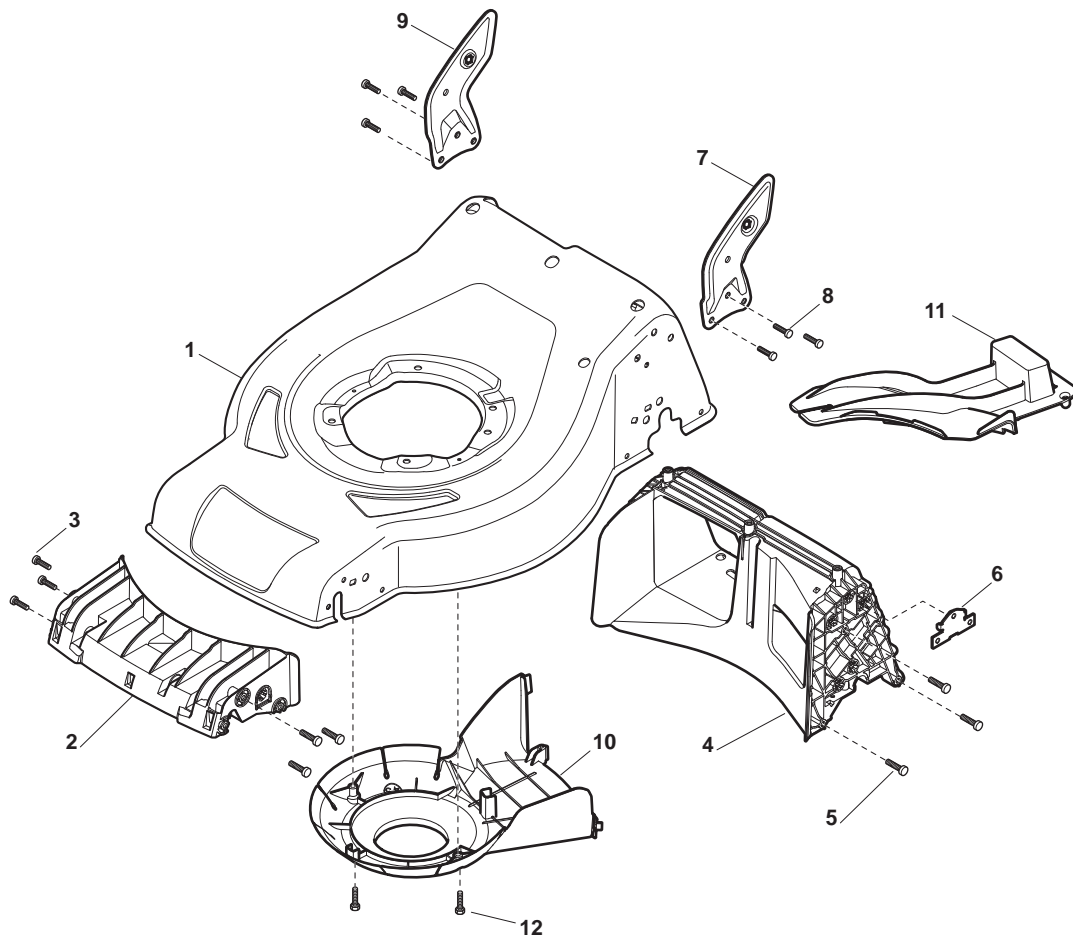


Fig.	Quantity	Part No	Description	Notes
2	1	322108300/1	Front Conveyor Assy	
1	1	381004019/0	Red Deck	
3	6	112728699/0	Screw	
4	1	322108302/0	Rear Conveyor Assy	
5	6	112728699/0	Screw	
6	2	322545213/0	Plate	
7	1	381005139/0	Left Bracket	
8	6	112727801/0	Screw	
9	1	381005137/0	Right Bracket	
10	1	322060241/0	Belt Protection	
11	1	322140240/0	Mulching Deflector	
12	2	112728530/0	Screw	

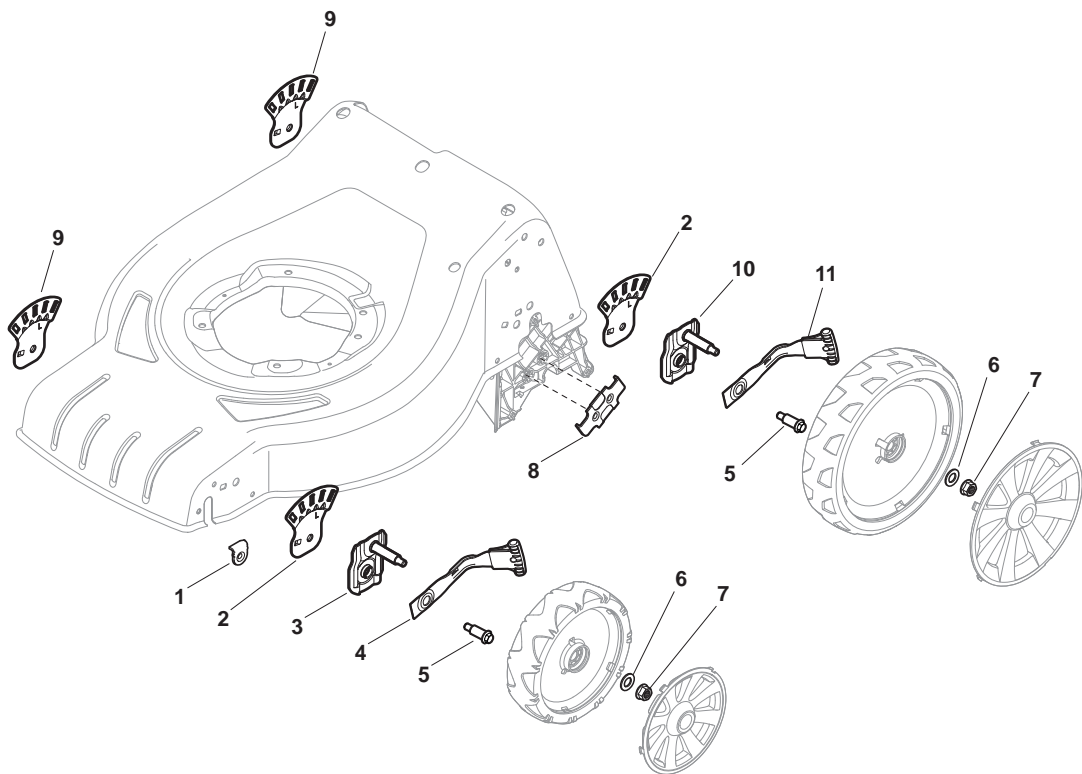


Fig.	Quantity	Part No	Description	Notes
1	2	322545189/0	Plate	
2	2	322735597/1	Sector, Height Adjustment	
3	2	381005141/0	Wheel Support	
4	2	381003354/0	Lever, Height Adjustment	
5	4	122519811/0	Pin	
6	4	112521350/0	Washer	
7	4	112155000/0	Nut	
8	2	322545211/0	Plate	
9	2	322735595/1	Sector, Height Adjustment	
10	2	381005143/0	Wheel Support	
11	2	381003442/0	Lever, Height Adjustment	

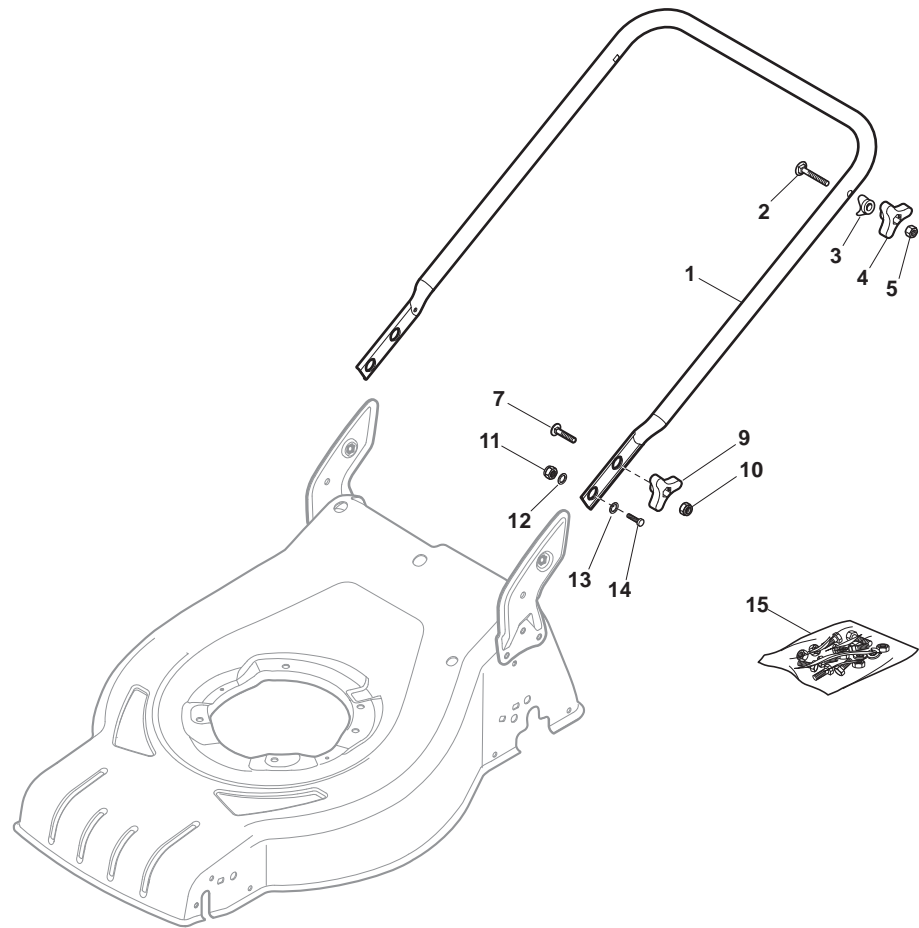


Fig.	Quantity	Part No	Description	Notes
1	1	381006737/0	Handle Lower Part	Black
1	1	381007537/0	Handle, Lower Part Yellow	Yellow
2	2	112819110/0	Screw	
3	2	122671651/0	Washer	
4	2	122399900/0	Knob	Black
4	2	322399840/0	Yellow Knob	Yellow
4	2	322399846/0	Red Knob	Red
5	2	112293200/0	Nut	
7	2	112818900/0	Screw	
9	2	122399900/0	Knob	Black
9	2	322399840/0	Yellow Knob	Yellow
9	2	322399846/0	Red Knob	Red
10	2	112293200/0	Nut	
11	2	112155000/0	Nut	
12	2	112521350/0	Washer	
13	2	112369500/0	Elastic Washer	
14	2	112760605/0	Screw	
15	1	381008691/0	Outfit, Screws	Black
15	1	381008692/0	Outfit, Screws	Yellow
15	1	381008695/0	Outfit, Screws	Red

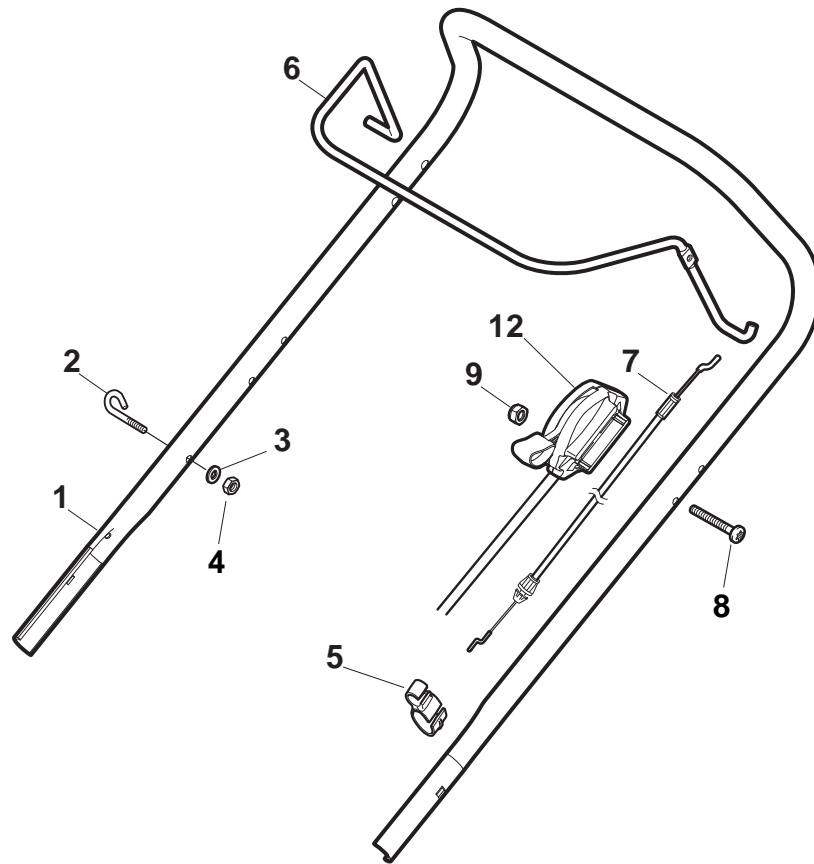


Fig.	Quantity	Part No	Description	Notes
1	1	381006739/1	Handle, Upper Part	
1	1	381006745/1	Handle, Upper Part with sponge handgrip	
1	1	381006753/0	Handle, Upper Part Yellow	
2	1	122430313/0	Guide Spring	
3	1	112521330/0	Washer	
4	1	112154510/0	Nut	
5	1	118390020/0	Conduit Clip Caproeurope	
6	1	181003363/1	Lever, Engine Brake Black	Black
6	1	381003365/0	Lever, Engine Brake Yellow	Yellow
6	1	381003376/0	Lever, Engine Brake Red	Red
7	1	181030054/0	Cable, Thread Engine Brake	SV40 / RV 40 / V35 Engine
7	1	181030056/0	Cable, Thread Engine Brake	GGP 100cc / GGP /B&S Engine
7	1	181030069/1	Cable, Thread Engine Brake	Honda Engine
8	1	112727783/0	Screw	
9	1	112154510/0	Nut	
12	1	181005517/0	Throttle Cable	GGP Engine
12	1	181005504/1	Throttle Cable	SV40 / RV 40 / V35 Engine
12	1	181005511/0	Throttle Cable	B&S Engine
12	1	181005517/0	Throttle Cable	Honda Engine
12	1	181005532/0	Throttle Cable	GGP 100cc Engine

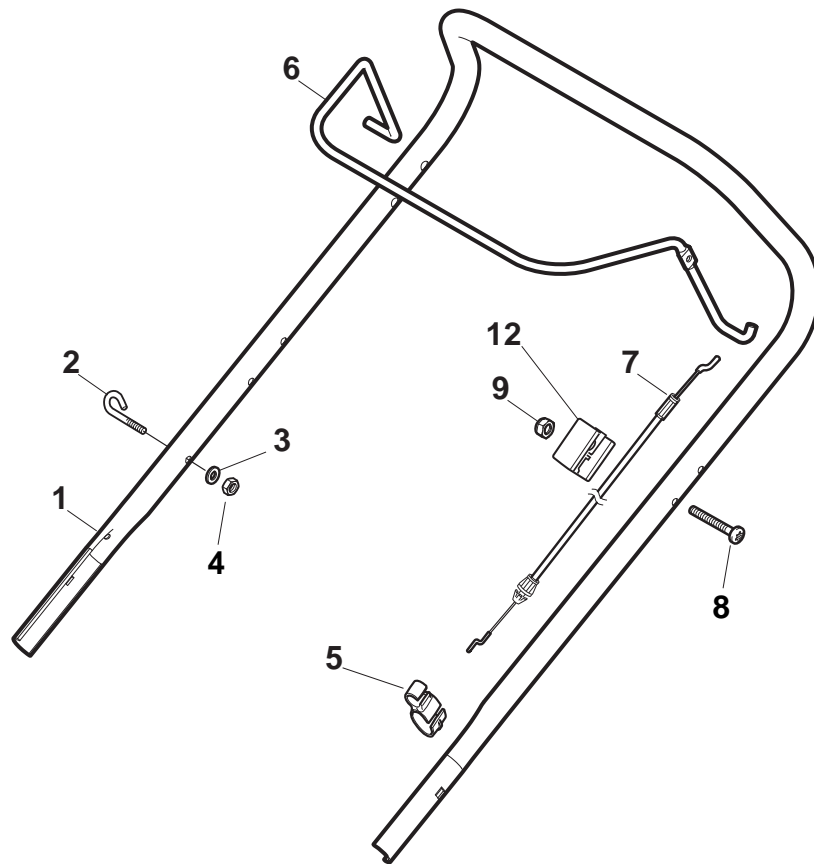


Fig.	Quantity	Part No	Description	Notes
1	1	381006739/1	Handle, Upper Part	
1	1	381006745/1	Handle, Upper Part with sponge handgrip	
1	1	381006753/0	Handle, Upper Part Yellow	
2	1	122430313/0	Guide Spring	
3	1	112521330/0	Washer	
4	1	112154510/0	Nut	
5	1	118390020/0	Conduit Clip Caproeurope	
6	1	181003363/1	Lever, Engine Brake Black	Black
6	1	381003365/0	Lever, Engine Brake Yellow	Yellow
6	1	381003376/0	Lever, Engine Brake Red	Red
7	1	181030056/0	Cable, Thread Engine Brake	B&S Engine
7	1	181030054/0	Cable, Thread Engine Brake	SV40 / RV 40 / V35 Engine
7	1	181030056/0	Cable, Thread Engine Brake	GGP Engine
7	1	181030069/1	Cable, Thread Engine Brake	Honda Engine
8	1	112727783/0	Screw	
9	1	112154510/0	Nut	
12	1	322551640/0	Plate	

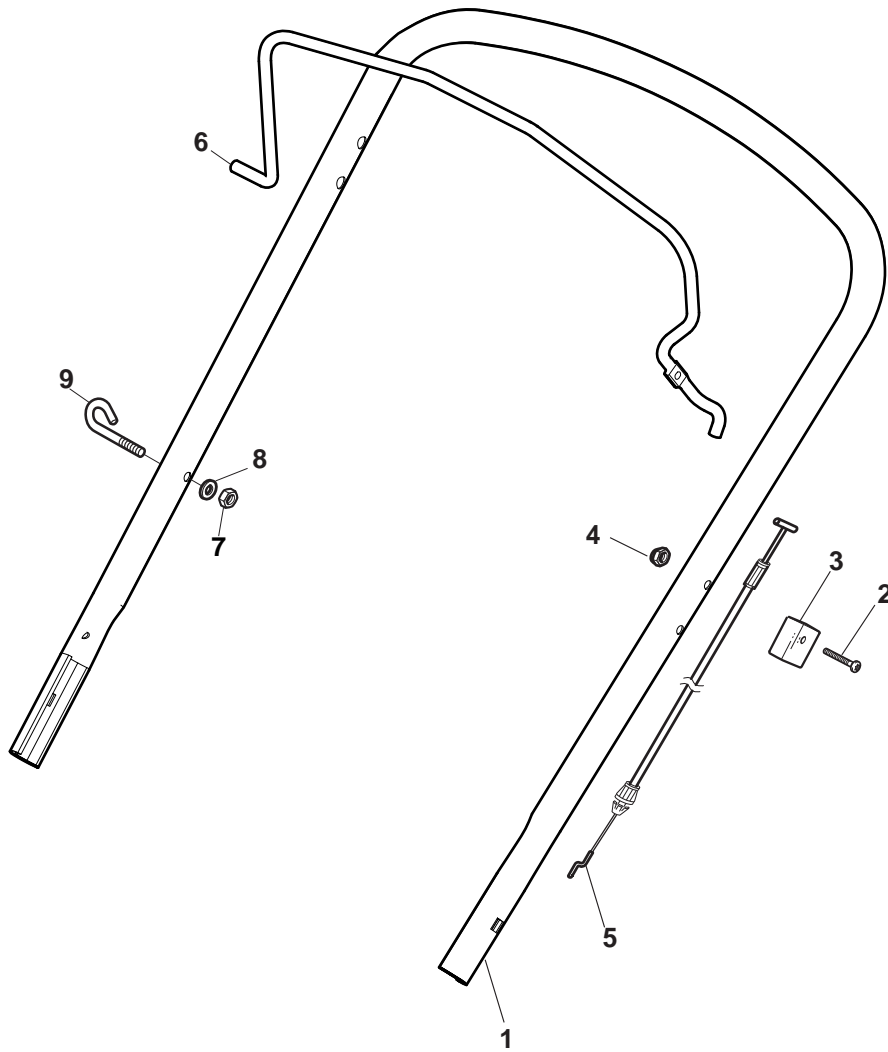


Fig.	Quantity	Part No	Description	Notes
1	1	381006740/0	Handle, Upper Part	
2	1	112727788/0	Screw	
3	1	322551640/0	Plate	
4	1	112154510/0	Nut	
5	1	181030053/0	Cable, Thread Engine Brake	SV40 / RV 40 / V35 Engine
5	1	181030084/0	Cable, Thread Engine Brake	B&S / GGP / Honda Engine
6	1	181003369/0	Lever, Engine Brake	
7	1	112154510/0	Nut	
8	1	112521330/0	Washer	
9	1	122430313/0	Guide Spring	

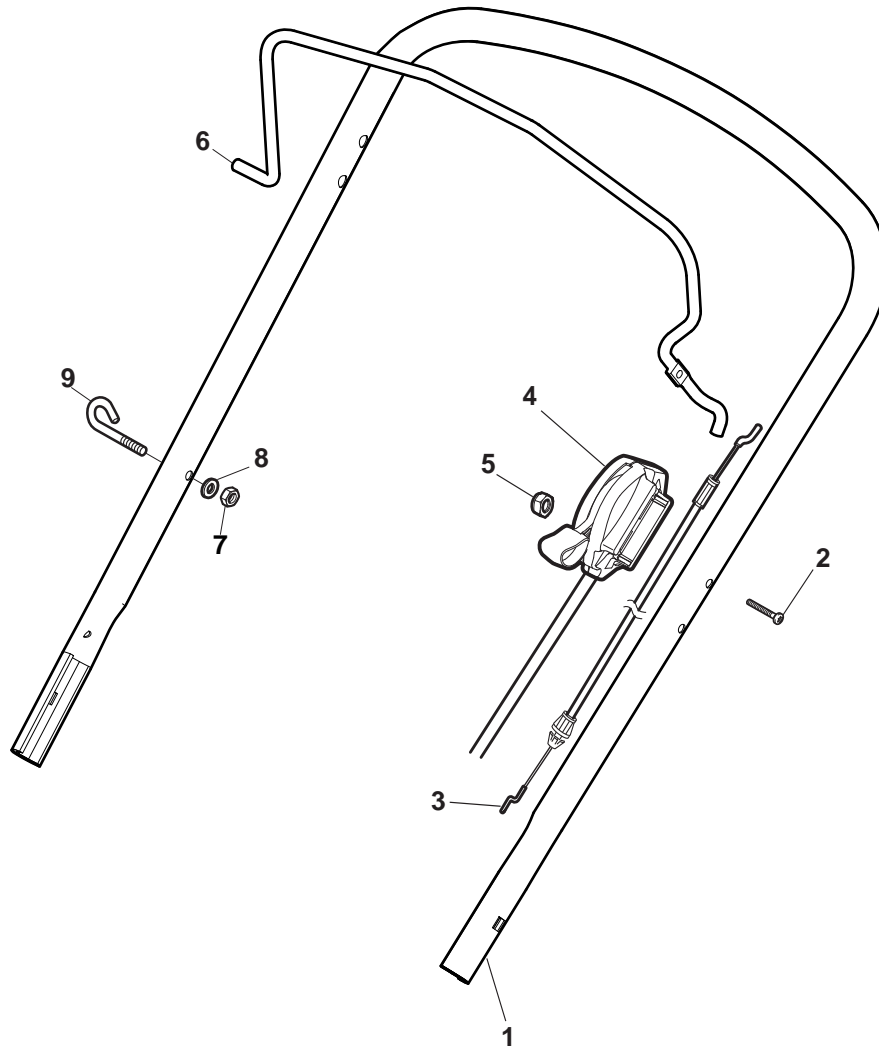
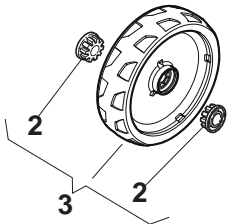


Fig.	Quantity	Part No	Description	Notes
1	1	381006740/0	Handle, Upper Part	
2	1	112727783/0	Screw	
3	1	181030053/0	Cable, Thread Engine Brake	SV40 / RV 40 / V35 Engine
3	1	181030084/0	Cable, Thread Engine Brake	B&S / GGP / Honda Engine
4	1	181005522/0	Throttle Cable	B&S Engine
4	1	181005534/0	Throttle Cable	GGP 100cc Engine
4	1	181005535/0	Throttle Cable	
4	1	181005521/0	Throttle Cable	SV40 / RV 40 / V35 Engine
5	1	112154510/0	Nut	
6	1	181003369/0	Lever, Engine Brake	
7	1	112154510/0	Nut	
8	1	112521330/0	Washer	
9	1	122430313/0	Guide Spring	

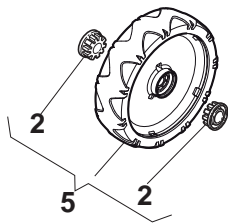
Bushing - Ø180

Ball Bearing - Ø180

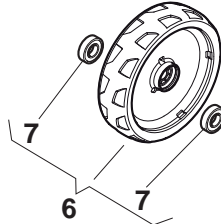
DELTA Wheels



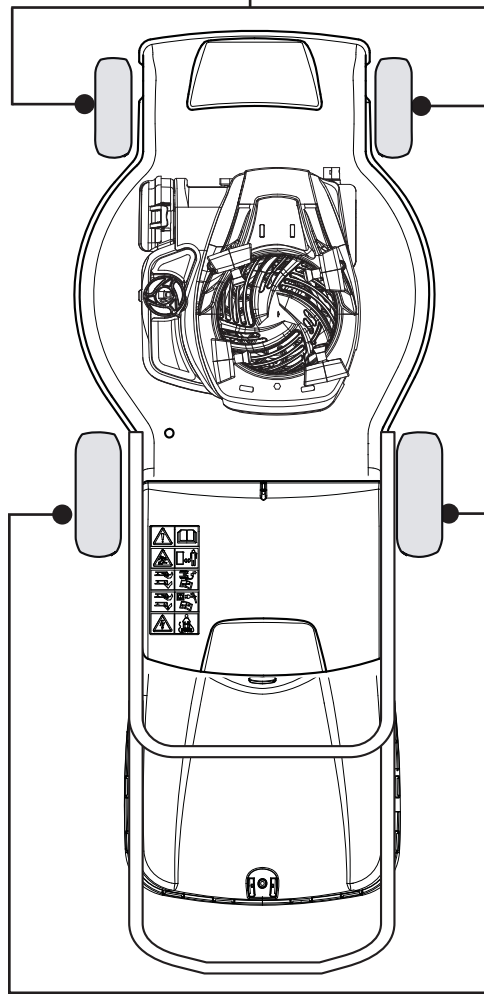
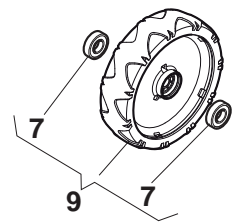
CRUISER Wheels



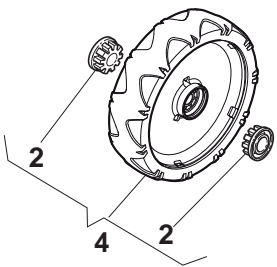
DELTA Wheels



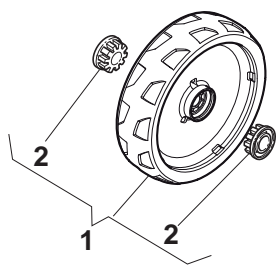
CRUISER Wheels



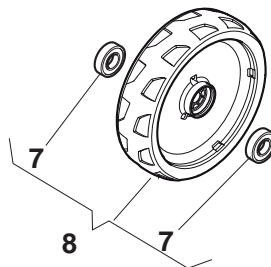
DELTA Wheels



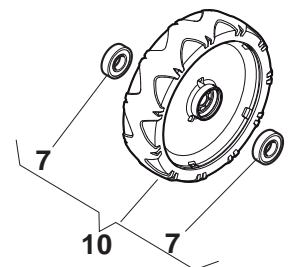
CRUISER Wheels



DELTA Wheels



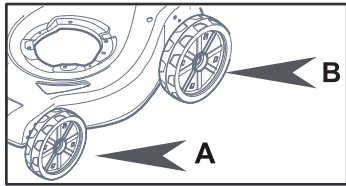
CRUISER Wheels



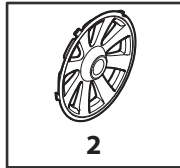
Bushing - Ø240

Ball Bearing - Ø240

Fig.	Quantity	Part No	Description	Notes
1	2	381007443/1	Wheel	
2	8	322042064/0	Bushing	
3	2	381007442/1	Wheel	
4	2	381007446/1	Wheel	
5	2	381007444/1	Wheel	
6	2	381007448/1	Wheel	
7	8	119216035/0	Bearing	
8	2	381007449/1	Wheel	
9	2	381007450/1	Wheel	
10	2	381007456/1	Wheel	



+



= A2

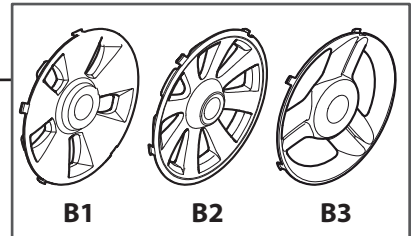
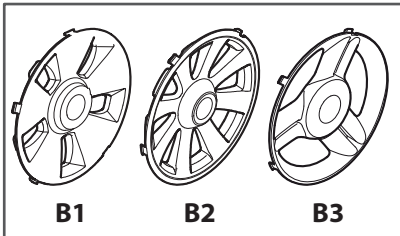
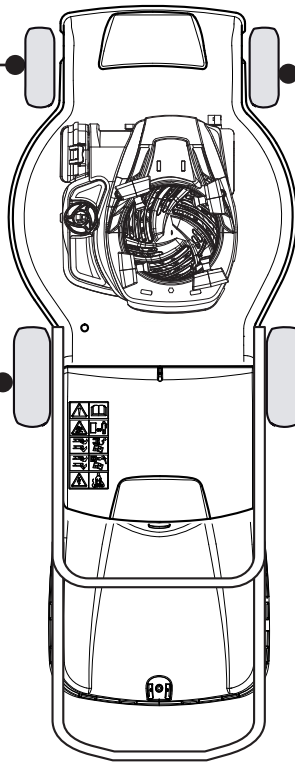
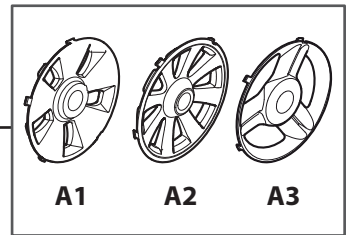
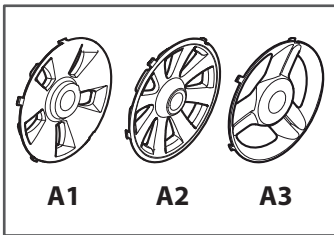
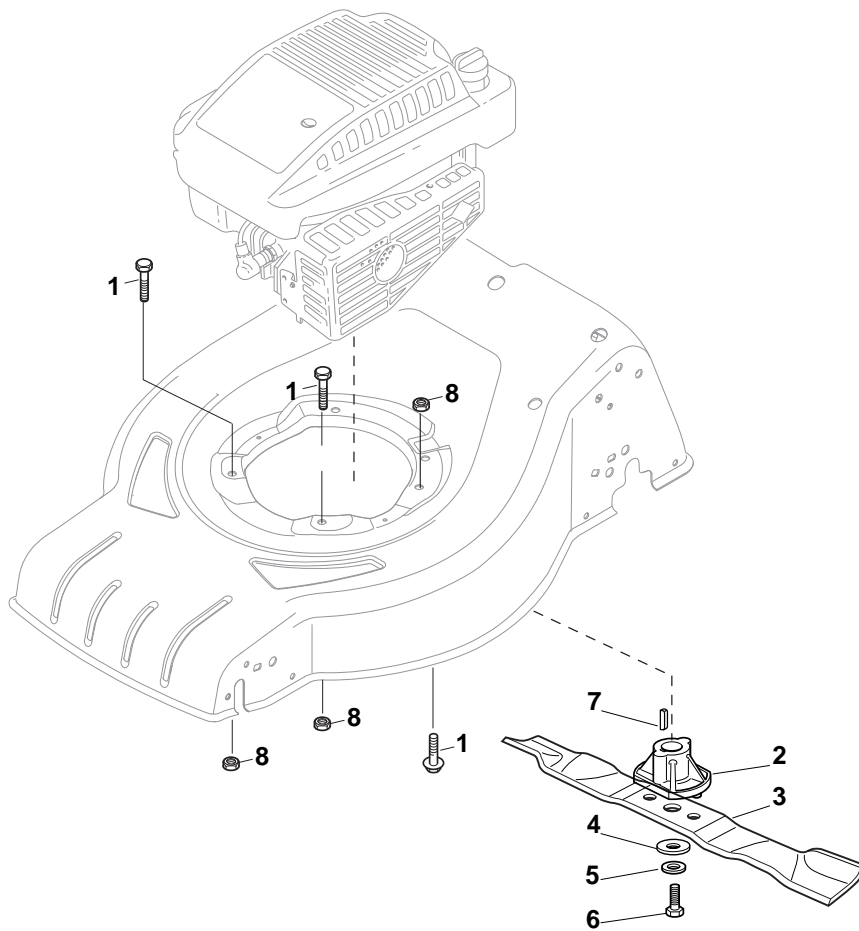


Fig.	Quantity	Part No	Description	Notes
A1	2	322110636/0	Hub Cap Grey	
B1	2	322110637/0	Hub Cap Grey	
A2	2	322110638/0	Hub Cap Grey	
A2	2	322110647/0	Hub Cap Yellow	
B2	2	322110648/0	Hub Cap Yellow	
B2	2	322110639/0	Hub Cap Grey	
A3	2	322110687/0	Hub Cap Grey	
B3	2	322110689/0	Hub Cap Grey	



CR-CS 434 W

WBH Petrol Steel Blade

Issue 7 - 2015

Fig.	Quantity	Part No	Description	Notes
1	2	112691100/0	Screw	for B&S Engine
1	3	112691100/0	Screw	for B&S E Series Engine
1	3	112691115/0	Screw	for HONDA Engine / for GGP Engine
1	1	112691800/0	Screw	for B&S Engine
3	1	181004341/3	Mulching Blade	
4	1	122160400/0	Elastic Disc	
5	1	112523080/0	Washer	
6	1	112735698/0	Screw	
8	3	112154210/0	Nut	

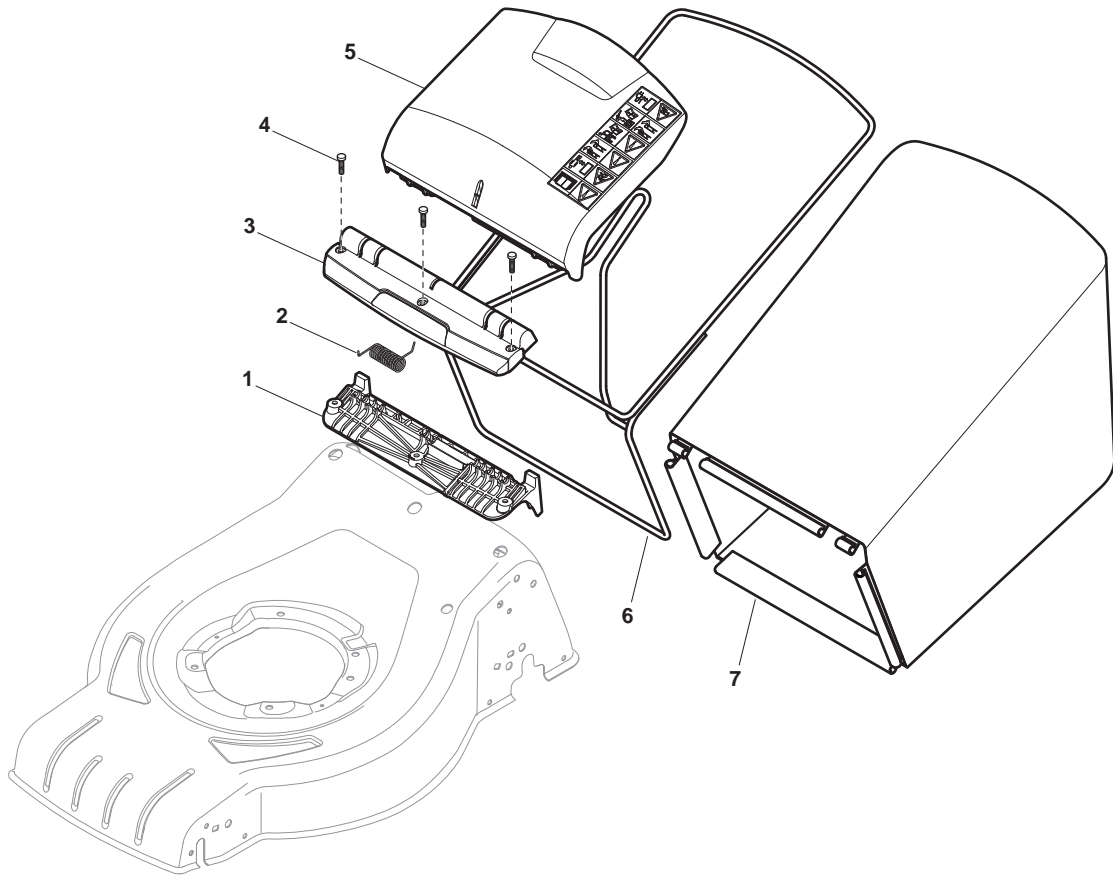


Fig.	Quantity	Part No	Description	Notes
5	1	322600206/1	Stone Guard, Black	Black
1	1	322785331/0	Black Stone Guard Support	
2	1	122450464/0	Spring	
3	1	322109554/0	Stone Guard Supp. Cover Black	Black
3	1	322109556/0	Stone Guard Supp. Cover Yellow	Yellow
3	1	322109557/0	Stone Guard Supp. Cover Grey	Grey
4	3	112728699/0	Screw	
5	1	322600214/1	Stone Guard, Yellow	
5	1	322600216/1	Stone Guard, Grey	
6	1	181006409/0	Textile Grasscatcher Frame	
7	1	181002319/0	Textile Grasscatcher Black	

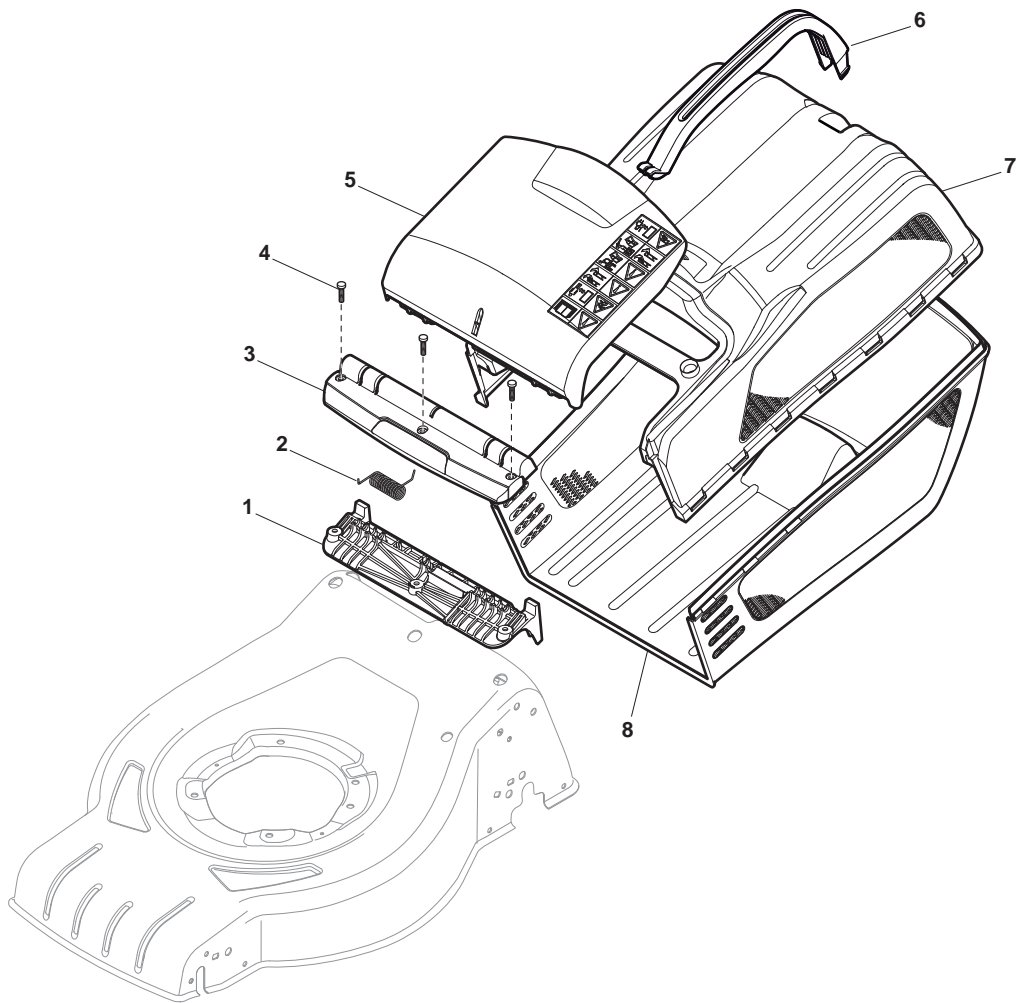


Fig.	Quantity	Part No	Description	Notes
6	1	322393643/0	Handle, Black	Black
7	1	322486260/0	Grasscatcher Upper Part, Black	Black
8	1	322486261/0	Grasscatcher Lower Part, Black	Black
3	1	322109554/0	Stone Guard Supp. Cover Black	Black
5	1	322600206/1	Stone Guard, Black	Black
1	1	322785331/0	Black Stone Guard Support	
2	1	122450464/0	Spring	
3	1	322109556/0	Stone Guard Supp. Cover Yellow	Yellow
3	1	322109557/0	Stone Guard Supp. Cover Grey	Grey
4	3	112728699/0	Screw	
5	1	322600214/1	Stone Guard, Yellow	Yellow
5	1	322600216/1	Stone Guard, Grey	Grey
6	1	322393645/0	Grasscatcher Handle	Grey
6	1	322393716/0	Handle, Grey	Grey NCSS-N
7	1	322486263/0	Grasscatcher Upper Part Grey	Grey
7	1	322486387/0	Grassbox Upper Part, Grey	Grey NCSS-N
8	1	322486267/0	Grasscatcher Lower Part Grey	Grey
8	1	322486388/0	Grassbox Lower Part, Grey	Grey NCSS-N

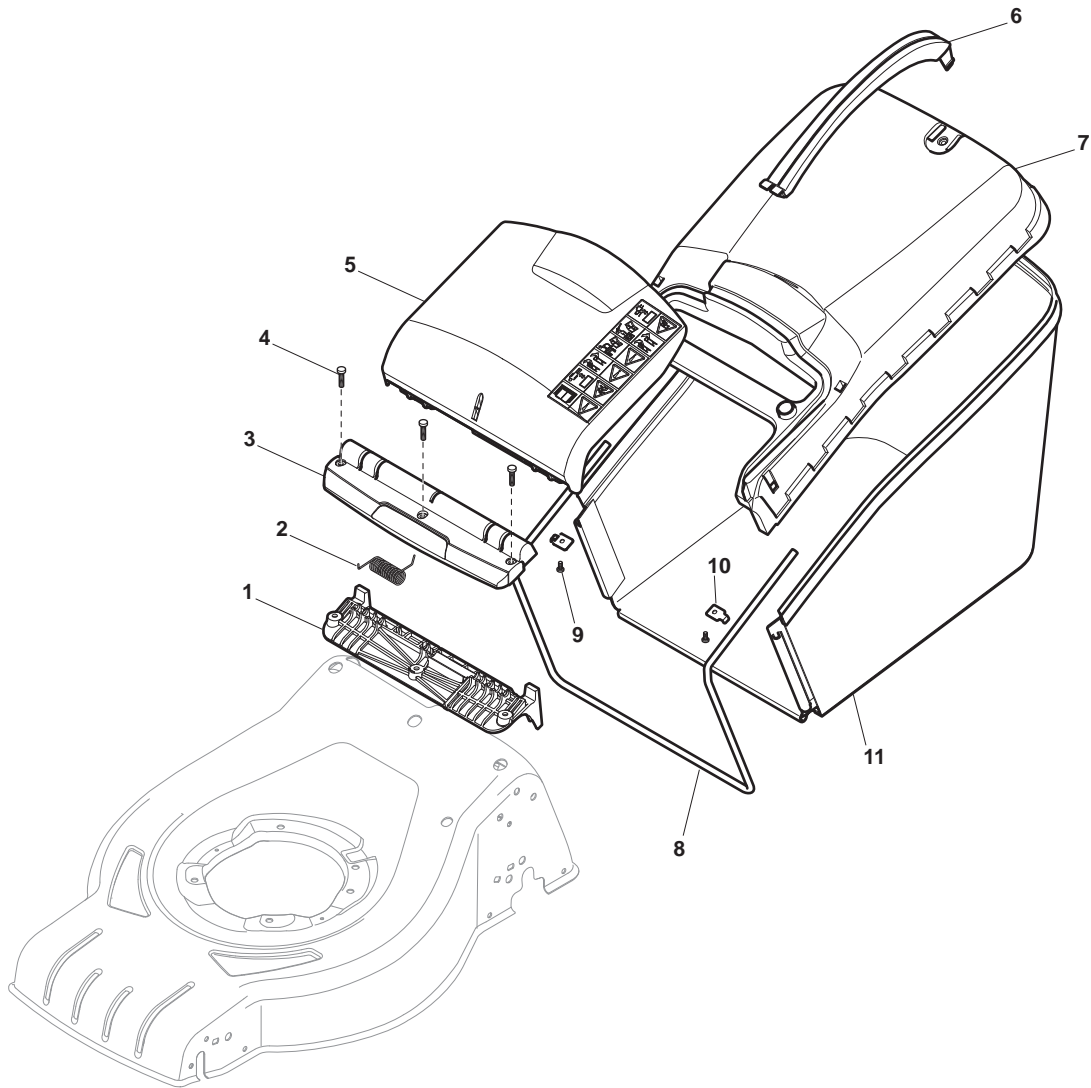


Fig.	Quantity	Part No	Description	Notes
3	1	322109554/0	Stone Guard Supp. Cover Black	Black
5	1	322600206/1	Stone Guard, Black	Black
6	1	322393644/0	Handle, Black	Black
7	7	322486262/0	Grasscatcher Upper Part, Black	Black
1	1	322785331/0	Black Stone Guard Support	
2	1	122450464/0	Spring	
3	1	322109556/0	Stone Guard Supp. Cover Yellow	Yellow
3	1	322109557/0	Stone Guard Supp. Cover Grey	Grey
4	3	112728699/0	Screw	
5	1	322600214/1	Stone Guard, Yellow	Yellow
5	1	322600216/1	Stone Guard, Grey	Grey
6	1	322393646/0	Handle, Yellow	Yellow
6	1	322393649/0	Handle, Grey	Grey
7	1	322486264/0	Grass Upper Hybrid Yellow	Yellow
7	1	322486270/0	Grass Upper Hybrid Grey	Grey
8	1	122608561/0	Grasscatcher Lower Stiffening Cruiser	
9	2	112728692/0	Screw	
10	2	322545159/0	Plate	
11	1	181002318/0	Box, Fabric	

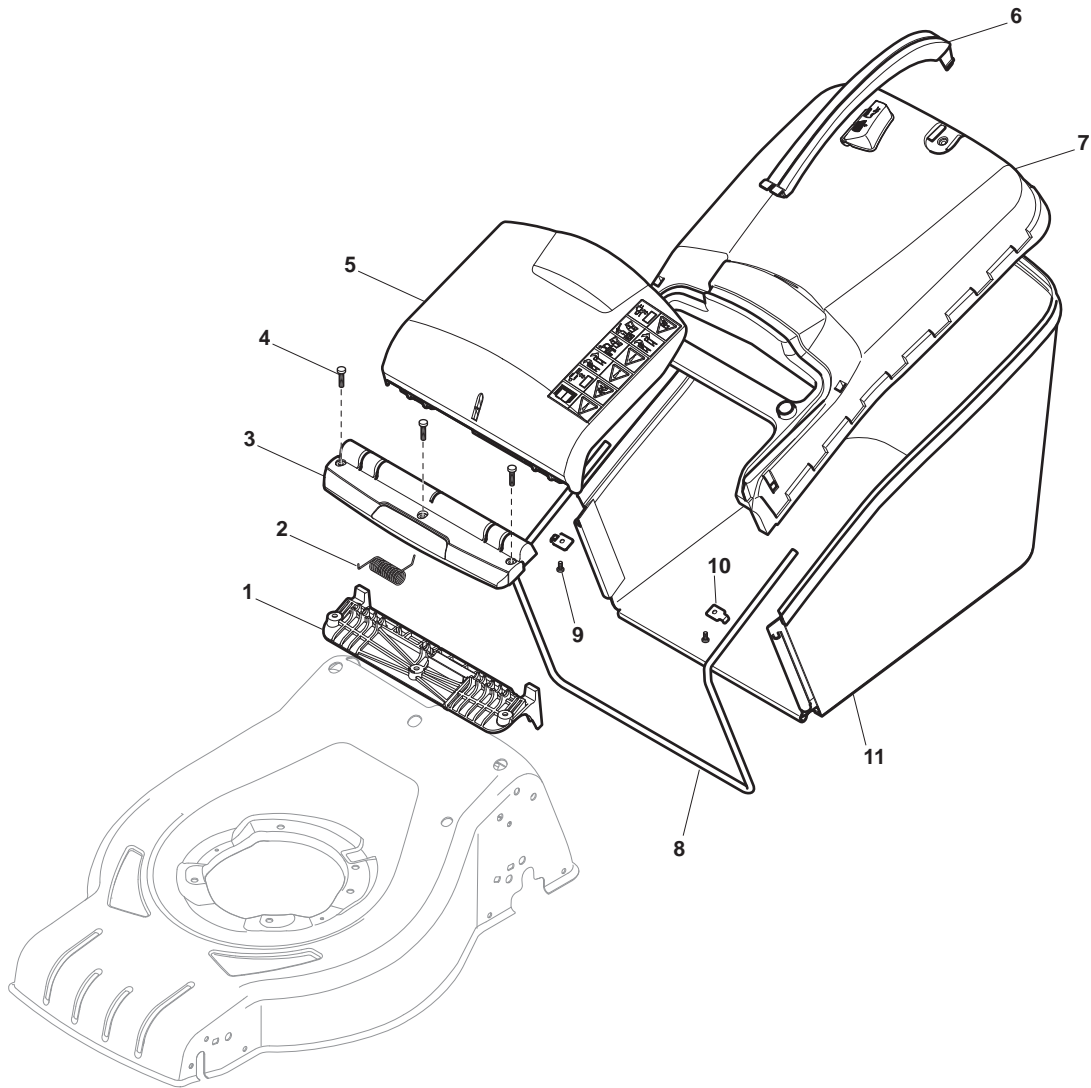


Fig.	Quantity	Part No	Description	Notes
1	1	322785331/0	Black Stone Guard Support	
2	1	122450464/0	Spring	
3	1	322109554/0	Stone Guard Supp. Cover Black	Black
3	1	322109556/0	Stone Guard Supp. Cover Yellow	Yellow
4	3	112728699/0	Screw	
5	1	322600206/1	Stone Guard, Black	Black
5	1	322600214/1	Stone Guard, Yellow	Yellow
6	1	322393644/0	Handle, Black	Black
6	1	322393715/0	Handle, Grey	Grey NCSS-N
7	1	381486016/0A	Grass-Box, Upper Part Yellow	Yellow
7	1	381486018/0	Grass-Box, Upper Part Black	Black
8	1	122608561/0	Grasscatcher Lower Stiffening Cruiser	
9	2	112728692/0	Screw	
10	2	322545159/0	Plate	
11	1	181002318/0	Box, Fabric	

112154210/0	8	3	p. 23	181002318/0	11	1	p. 31	322399846/0	4	2	p. 9
112154510/0	4	1	p. 11	181002319/0	7	1	p. 25	322399846/0	9	2	p. 9
112154510/0	4	1	p. 13	181003363/1	6	1	p. 11	322486260/0	7	1	p. 27
112154510/0	4	1	p. 15	181003363/1	6	1	p. 13	322486261/0	8	1	p. 27
112154510/0	5	1	p. 17	181003369/0	6	1	p. 15	322486262/0	7	7	p. 29
112154510/0	7	1	p. 15	181003369/0	6	1	p. 17	322486263/0	7	1	p. 27
112154510/0	7	1	p. 17	181004341/3	3	1	p. 23	322486264/0	7	1	p. 29
112154510/0	9	1	p. 11	181005504/1	12	1	p. 11	322486267/0	8	1	p. 27
112154510/0	9	1	p. 13	181005511/0	12	1	p. 11	322486270/0	7	1	p. 29
112155000/0	7	4	p. 7	181005517/0	12	1	p. 11	322486387/0	7	1	p. 27
112155000/0	11	2	p. 9	181005517/0	12	1	p. 11	322486388/0	8	1	p. 27
112293200/0	5	2	p. 9	181005521/0	4	1	p. 17	322545159/0	10	2	p. 29
112293200/0	10	2	p. 9	181005522/0	4	1	p. 17	322545159/0	10	2	p. 31
112369500/0	13	2	p. 9	181005532/0	12	1	p. 11	322545189/0	1	2	p. 7
112521330/0	3	1	p. 11	181005534/0	4	1	p. 17	322545211/0	8	2	p. 7
112521330/0	3	1	p. 13	181005535/0	4	1	p. 17	322545213/0	6	2	p. 3
112521330/0	8	1	p. 15	181006409/0	6	1	p. 25	322545213/0	6	2	p. 5
112521330/0	8	1	p. 17	181030053/0	3	1	p. 17	322551640/0	3	1	p. 15
112521350/0	6	4	p. 7	181030053/0	5	1	p. 15	322551640/0	12	1	p. 13
112521350/0	12	2	p. 9	181030054/0	7	1	p. 11	322600206/1	5	1	p. 25
112523080/0	5	1	p. 23	181030054/0	7	1	p. 13	322600206/1	5	1	p. 27
112691100/0	1	2	p. 23	181030056/0	7	1	p. 11	322600206/1	5	1	p. 29
112691100/0	1	3	p. 23	181030056/0	7	1	p. 13	322600206/1	5	1	p. 31
112691115/0	1	3	p. 23	181030056/0	7	1	p. 13	322600214/1	5	1	p. 25
112691800/0	1	1	p. 23	181030069/1	7	1	p. 11	322600214/1	5	1	p. 27
112727783/0	2	1	p. 17	181030069/1	7	1	p. 13	322600214/1	5	1	p. 29
112727783/0	8	1	p. 11	181030084/0	3	1	p. 17	322600214/1	5	1	p. 31
112727783/0	8	1	p. 13	181030084/0	5	1	p. 15	322600216/1	5	1	p. 25
112727788/0	2	1	p. 15	322042064/0	2	8	p. 19	322600216/1	5	1	p. 27
112727801/0	8	6	p. 3	322060241/0	10	1	p. 3	322600216/1	5	1	p. 29
112727801/0	8	6	p. 5	322060241/0	10	1	p. 5	322735595/1	9	2	p. 7
112728530/0	12	2	p. 3	322108300/1	2	1	p. 3	322735597/1	2	2	p. 7
112728530/0	12	2	p. 5	322108300/1	2	1	p. 5	322785331/0	1	1	p. 25
112728692/0	9	2	p. 29	322108302/0	4	1	p. 3	322785331/0	1	1	p. 27
112728692/0	9	2	p. 31	322108302/0	4	1	p. 5	322785331/0	1	1	p. 29
112728699/0	3	6	p. 3	322109554/0	3	1	p. 25	322785331/0	1	1	p. 31
112728699/0	3	6	p. 5	322109554/0	3	1	p. 27	381003354/0	4	2	p. 7
112728699/0	4	3	p. 25	322109554/0	3	1	p. 29	381003365/0	6	1	p. 11
112728699/0	4	3	p. 27	322109554/0	3	1	p. 31	381003365/0	6	1	p. 13
112728699/0	4	3	p. 29	322109556/0	3	1	p. 25	381003376/0	6	1	p. 11
112728699/0	4	3	p. 31	322109556/0	3	1	p. 27	381003376/0	6	1	p. 13
112728699/0	5	6	p. 3	322109556/0	3	1	p. 29	381003442/0	11	2	p. 7
112728699/0	5	6	p. 5	322109556/0	3	1	p. 31	381004017/0	1	1	p. 3
112735698/0	6	1	p. 23	322109557/0	3	1	p. 25	381004019/0	1	1	p. 5
112760605/0	14	2	p. 9	322109557/0	3	1	p. 27	381004728/0	1	1	p. 3
112818900/0	7	2	p. 9	322109557/0	3	1	p. 29	381005137/0	9	1	p. 3
112819110/0	2	2	p. 9	322110636/0	A1	2	p. 21	381005137/0	9	1	p. 5
118390020/0	5	1	p. 11	322110637/0	B1	2	p. 21	381005139/0	7	1	p. 3
118390020/0	5	1	p. 13	322110638/0	A2	4	p. 21	381005139/0	7	1	p. 5
119216035/0	7	8	p. 19	322110639/0	B2	2	p. 21	381005141/0	3	2	p. 7
122160400/0	4	1	p. 23	322110647/0	A2	2	p. 21	381005143/0	10	2	p. 7
122399900/0	4	2	p. 9	322110648/0	B2	2	p. 21	381006737/0	1	1	p. 9
122399900/0	9	2	p. 9	322110687/0	A3	4	p. 21	381006739/1	1	1	p. 11
122430313/0	2	1	p. 11	322110689/0	B3	2	p. 21	381006739/1	1	1	p. 13
122430313/0	2	1	p. 13	322140240/0	11	1	p. 3	381006740/0	1	1	p. 15
122430313/0	9	1	p. 15	322140240/0	11	1	p. 5	381006740/0	1	1	p. 17
122430313/0	9	1	p. 17	322393643/0	6	1	p. 27	381006745/1	1	1	p. 11
122450464/0	2	1	p. 25	322393644/0	6	1	p. 29	381006745/1	1	1	p. 13
122450464/0	2	1	p. 27	322393644/0	6	1	p. 31	381006753/0	1	1	p. 11
122450464/0	2	1	p. 29	322393645/0	6	1	p. 27	381006753/0	1	1	p. 13
122450464/0	2	1	p. 31	322393646/0	6	1	p. 29	381007442/1	3	2	p. 19
122519811/0	5	4	p. 7	322393649/0	6	1	p. 29	381007443/1	1	2	p. 19
122608561/0	8	1	p. 29	322393715/0	6	1	p. 31	381007444/1	5	2	p. 19
122608561/0	8	1	p. 31	322393716/0	6	1	p. 27	381007446/1	4	2	p. 19
122671651/0	3	2	p. 9	322399840/0	4	2	p. 9	381007448/1	6	2	p. 19
181002318/0	11	1	p. 29	322399840/0	9	2	p. 9	381007449/1	8	2	p. 19

381007450/1	9	2	p. 19
381007456/1	10	2	p. 19
381007537/0	1	1	p. 9
381008691/0	15	1	p. 9
381008692/0	15	1	p. 9
381008695/0	15	1	p. 9
381486016/0A	7	1	p. 31
381486018/0	7	1	p. 31