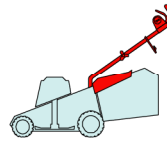


W

WL

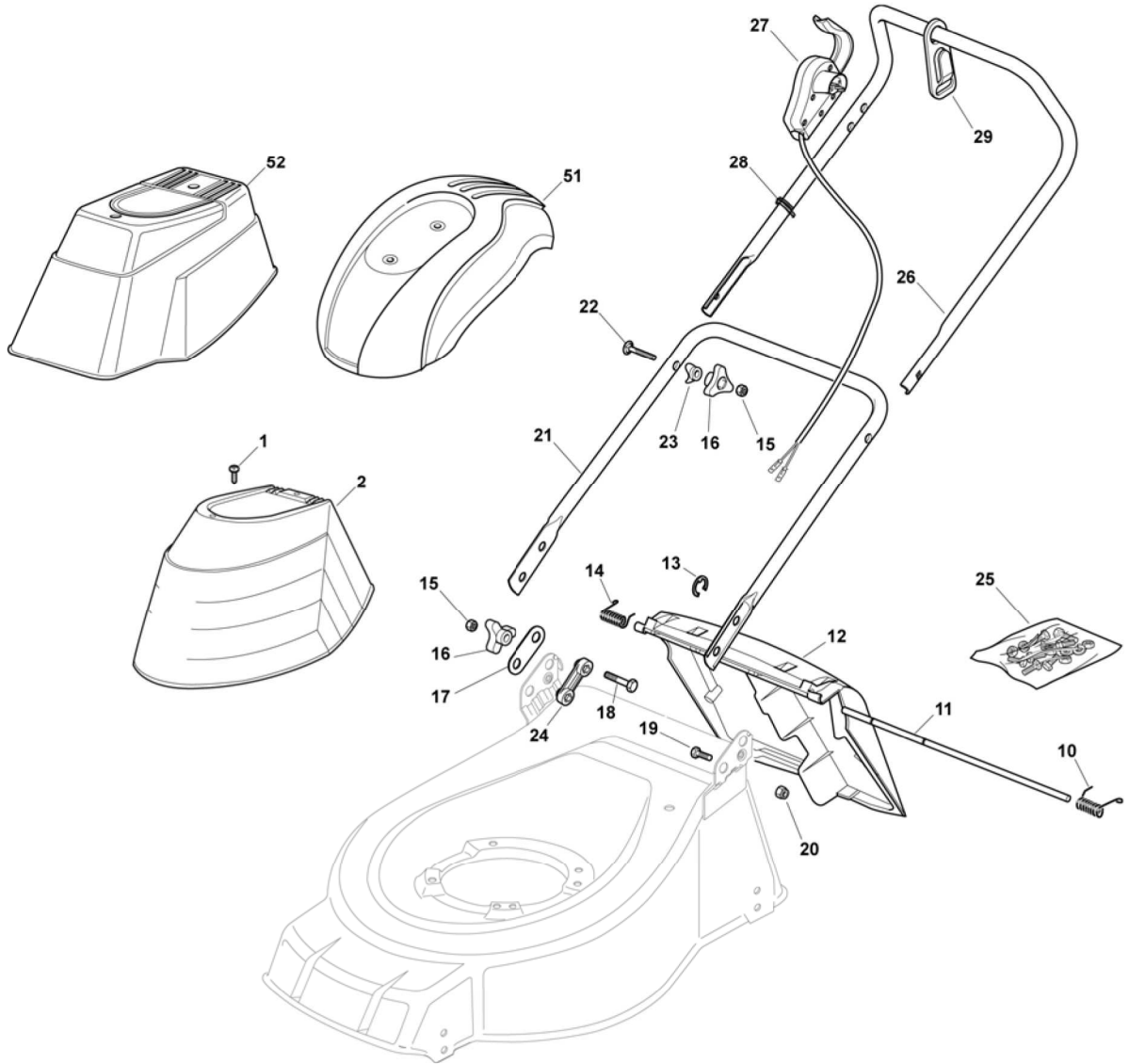
480



2007

281.0

1 / 2



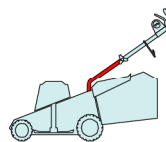
POS.	CODE	Q.TY	DESCRIZIONE	DESCRIPTION	DESCRIPTION	BESCHREIBUNG	REMARKS
1	12728680/0	2	VITE	SCREW	VIS	SCHRAUBE	
2	22055033/1	1	CAPOTTINA	COVER	CAPOT	HAUBE	
10	22450420/1	1	MOLLA SX	L SPRING	RESSORT G	LINKE FEDER	
11	22517906/1	1	PERNO	PIN	PIVOT	BOLZEN	
12	22600063/1	1	PARASASSI	STONE-GUARD	PARE-PIERRES	PRALLBLECH	
13	12000930/0	1	ANELLO ELASTICO	SNAP RING	ANNEAU RESSORT	SPRENGRING	
14	22450410/1	1	MOLLA DX	R SPRING	RESSORT D	RECHTE FEDER	
15	12293200/0	4	DADO	NUT	ECROU	MUTTER	
16	22399900/0	4	MANOPOLINA	KNOB	POIGNÉE	GRIFF	
17	22551574/0	2	PIASTRINA ESTERNA	PLATE, OUTSIDE	PLAQUETTE EXTERNE	PLATTE, ÄUßERE	
18	12691115/0	2	VITE	SCREW	VIS	SCHRAUBE	
19	12793300/0	2	VITE	SCREW	VIS	SCHRAUBE	

POS.	CODE	Q.TY	DESCRIZIONE	DESCRIPTION	DESCRIPTION	BESCHREIBUNG	REMARKS
20	12155000/0	2	DADO	NUT	ECROU	MUTTER	
21	81006512/0	1	MANICO, PARTE INF	HANDLE, LOWER PART	MANCHERON, PARTIE INFERIEURE	HOLM, UNTERTEIL	
22	12819201/0	2	VITE	SCREW	VIS	SCHRAUBE	
23	22680006/1	2	ROSETTA	WASHER	RONDELLE	SCHEIBE	
24	22551575/0	2	PIASTRINA INTERNA	PLATE, INSIDE	PLAQUETTE INTERNE	PLATTE, INNERE	
25	81008596/1	1	DOTAZIONE VITERIA	OUTFIT, SCREWS	DOTATION VISSERIE	SATZ, SCHRAUBEN	
26	81007017/2	1	MANICO, PARTE SUP	HANDLE, UPPER PART	MANCHERON, PARTIE SUPERIEURE	HOLM, OBERTEIL	
27	-	1	SALVAMOTORE	DEAD HAND SWITCH	INT. MAIN MORTE	TOT MANSCHALTER	(SEE ENCLOSURE 4)
28	22192000/1	2	FASCETTA	CLAMP	COLLIER	BOWDENZUGHALTER	
29	22195101/4	1	FERMACAVO	FAIRLEAD	FIXATION CABLE	KABELBEFESTIGUNG	
51	22055065/0	1	CAPOTTINA	COVER	CAPOT	HAUBE	
52	22055045/1	1	CAPOTTINA	COVER	CAPOT	HAUBE	

W

WL

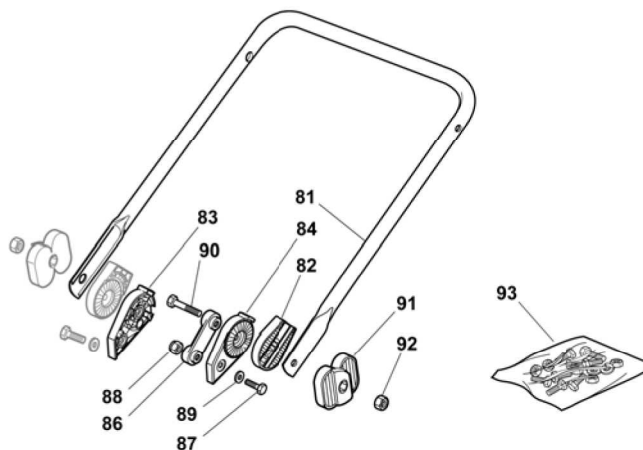
480



2007

281a.0

1 / 1



POS.	CODE	Q.TY	DESCRIZIONE	DESCRIPTION	DESCRIPTION	BESCHREIBUNG	REMARKS
81	81006532/0	1	MANICO, PARTE INF	HANDLE, LOWER PART	MANCHERON, PARTIE INFERIEURE	HOLM, UNTERTEIL	
82	22785081/1	2	SUPPORTO ESTERNO	SUPPORT, EXTERNAL	SUPPORT EXTERNE	HALTER, AUßERE	
83	22785082/0	1	SUPPORTO INTERNO DX	SUPPORT, R INTERNAL	SUPPORT INTERNE D	HALTER, INNERE R	
84	22785083/1	1	SUPPORTO INTERNO SX	SUPPORT, L INTERNAL	SUPPORT INTERNE G	HALTER, INNERE L	
86	22551575/0	2	PIASTRINA INTERNA	PLATE, INSIDE	PLAQUETTE INTERNE	PLATTE, INNERE	
87	12793701/0	2	VITE	SCREW	VIS	SCHRAUBE	
88	12155000/0	2	DADO	NUT	ECROU	MUTTER	
89	12521350/0	2	ROSETTA	WASHER	RONDELLE	SCHEIBE	
90	12691810/0	2	VITE	SCREW	VIS	SCHRAUBE	
91	22399803/0	2	MANOPOLINA	KNOB	POIGNÉE	GRIFF	
92	12293202/0	2	DADO	NUT	ECROU	MUTTER	
93	81008623/1	1	DOTAZIONE VITERIA	OUTFIT, SCREWS	DOTATION VISSERIE	SATZ, SCHRAUBEN	

W

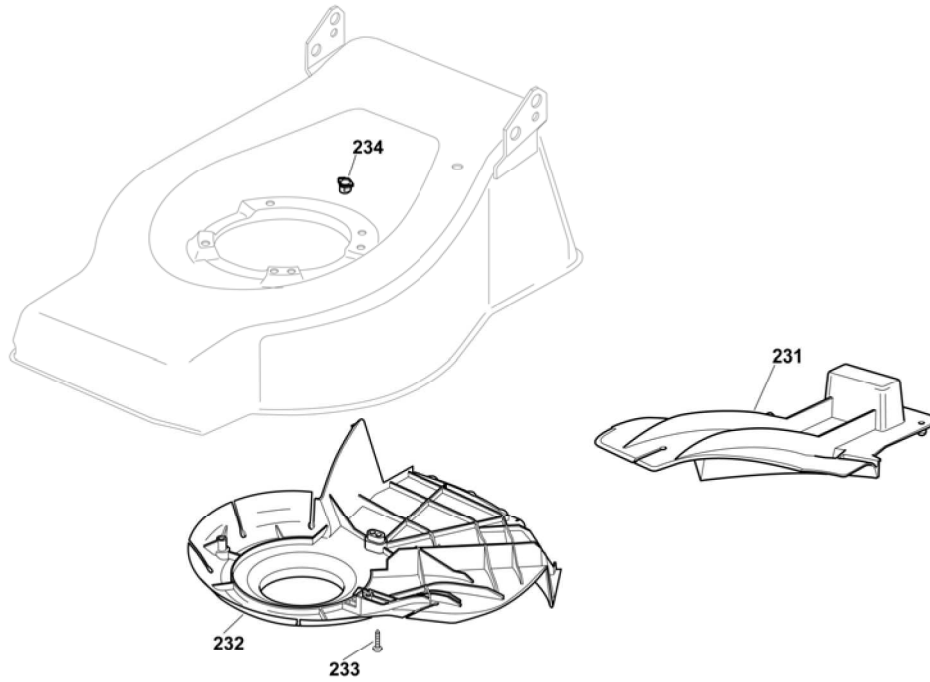
WL

480

2007

281b.0

1 / 1

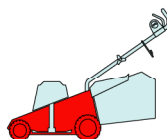


POS.	CODE	Q.TY	DESCRIZIONE	DESCRIPTION	DESCRIPTION	BESCHREIBUNG	REMARKS
231	22140223/0	1	DEFLETTORE	DEFLECTOR	DEFLECTEUR	DEFLEKTOR	
232	22060199/0	1	CARTER	PROTECTION	PROTECTION	SCHUTZ	
233	12728530/0	3	VITE	SCREW	VIS	SCHRAUBE	
234	22291150/0	1	INSERTO IN GOMMA	RUBBER INSERT	INSERT DE GAOUTCHOUC	GUMMI EINSATZ	

W

WL

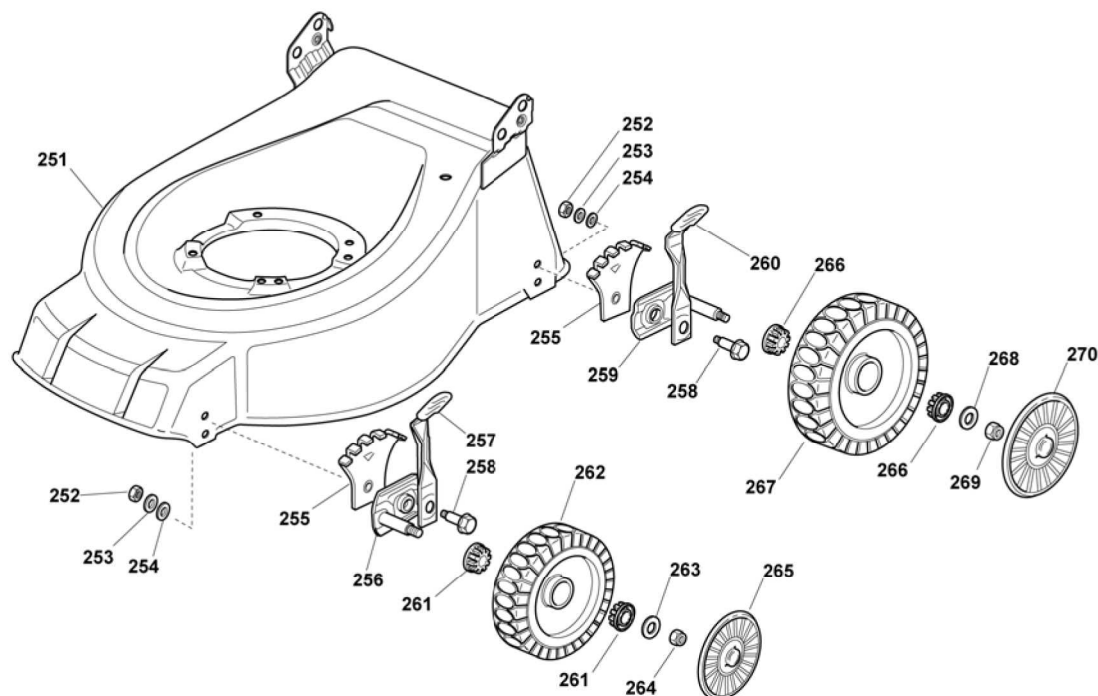
480



2007

282.0

1 / 1

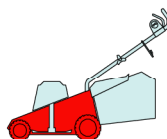


POS.	CODE	Q.TY	DESCRIZIONE	DESCRIPTION	DESCRIPTION	BESCHREIBUNG	REMARKS
251	81002601/0	1	CHASSIS ROSSO	DECK RED	CHÂSSIS ROUGE	GEHÄUSE ROT	
252	12293200/0	4	DADO	NUT	ECROU	MUTTER	
253	12583500/0	4	GROWER	GROWER	GROWER	FEDERRING	
254	12523070/0	4	ROSETTA	WASHER	RONDELLE	SCHEIBE	
255	22735547/0	4	SETTORE REGOLAZIONE ALTEZZA	SECTOR, HEIGHT ADJUSTMENT	SECTEUR REGLAGE HAUTEUR	SEKTOR, HÖHEVERSTELLUNG	
256	81005082/0	2	SUPPORTO RUOTA	SUPPORT, WHEEL	SUPPORT ROUE	HALTER, RAD	
257	81003285/1	2	LEVA REGOLAZIONE ALTEZZA	LEVER, HEIGHT ADJUSTMENT	LEVIER REGLAGE HAUTEUR	HEBEL, HÖNEVERSTELLUNG	
258	22519811/0	4	PERNO	PIN	PIVOT	BOLZEN	
259	81005084/0	2	SUPPORTO RUOTA	SUPPORT, WHEEL	SUPPORT ROUE	HALTER, RAD	
260	81003286/0	2	LEVA REGOLAZIONE ALTEZZA	LEVER, HEIGHT ADJUSTMENT	LEVIER REGLAGE HAUTEUR	HEBEL, HÖNEVERSTELLUNG	
261	22034508/0	4	BUSSOLA	BUSH	DOUILLE	BUCHSE	
262	81007336/0	2	RUOTA SCOLPITA Ø 170	WHEEL, KNOBBLY Ø 170	ROUE SCULPTEE Ø 170	RAD M. STOLLENPR. Ø 170	
263	12523060/0	2	ROSETTA	WASHER	RONDELLE	SCHEIBE	
264	12155000/0	2	DADO	NUT	ECROU	MUTTER	
265	---	2	COPRIMOZZO	HUB CAP	COUVRE-MOYEU	RADKAPPE	(SEE ENCLOSURE 1)
266	22034508/0	4	BUSSOLA	BUSH	DOUILLE	BUCHSE	
267	81007337/0	2	RUOTA SCOLPITA Ø 210	WHEEL, KNOBBLY Ø 210	ROUE SCULPTEE Ø 210	RAD M. STOLLENPR. Ø 210	
268	12523060/0	2	ROSETTA	WASHER	RONDELLE	SCHEIBE	
269	12155000/0	2	DADO	NUT	ECROU	MUTTER	
270	---	2	COPRIMOZZO	HUB CAP	COUVRE-MOYEU	RADKAPPE	(SEE ENCLOSURE 2)

W

WL

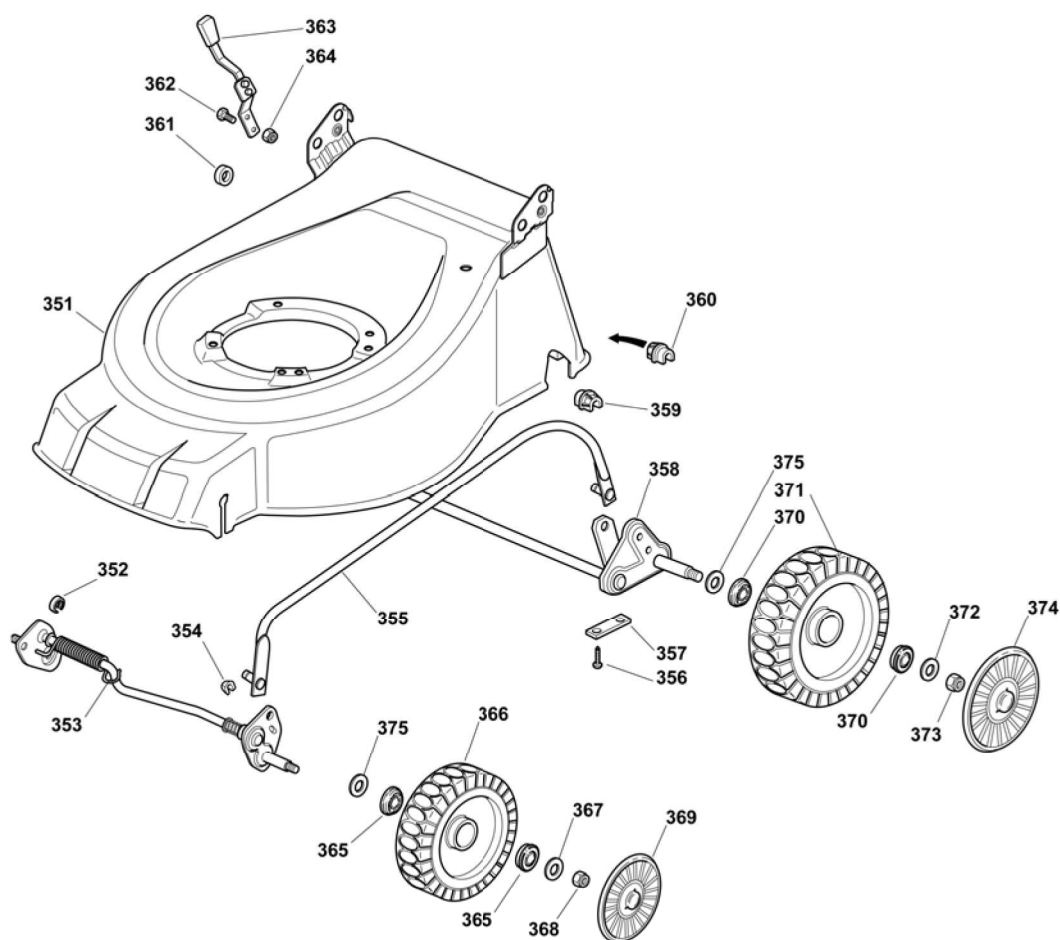
480



2007

282a.0

1 / 2



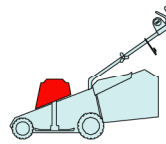
POS.	CODE	Q.TY	DESCRIZIONE	DESCRIPTION	DESCRIPTION	BESCHREIBUNG	REMARKS
351	81002605/0	1	CHASSIS ROSSO	DECK RED	CHÂSSIS ROUGE	GEHÄUSE ROT	
352	22171002/0	1	DISTANZIALE	SPACER	ENTRETOISE	DISTANZRING	
-	12436050/0	2	PIASTRINA	PLATE	PLAQUETTE	PLÄTTCHEN	
353	81000141/1	1	ASSE RUOTE ANTERIORI	AXLE, FRONT WHEELS	AXE ROUES AVANT	ACHSE, VORDERRAD	
355	81006481/1	1	ASTA COMANDO REGOL. ALTEZZA	ROD, HEIGHT ADJUSTMENT CONTROL	TIGE COMMANDE REGLAGE HAUTEUR	STANGE, HÖHEVERSTELLUNG	
356	12731350/0	4	VITE	SCREW	VIS	SCHRAUBE	
357	22545142/0	2	PIASTRINA	PLATE	PLAQUETTE	PLÄTTCHEN	
358	81001278/0	1	ASSE RUOTE POSTERIORI	AXLE, REAR WHEELS	AXE ROUES ARRIERE	ACHSE, HINTERRAD	
359	22038403/0	1	BRONZINA SX	L BUSH	DOUILLE G	LINKE BUCHSE	
360	22038402/0	1	BRONZINA DX	R BUSH	DOUILLE D	RECHTE BUCHSE	
361	22170800/0	1	DISTANZIALE	SPACER	ENTRETOISE	DISTANZRING	
362	12789000/0	2	VITE	SCREW	VIS	SCHRAUBE	
363	81003283/1	1	LEVA REGOLAZIONE ALTEZZA	LEVER, HEIGHT ADJUSTMENT	LEVIER REGLAGE HAUTEUR	HEBEL, HÖNEVERSTELLUNG	
364	12154320/0	2	DADO	NUT	ECROU	MUTTER	
365	22122200/0	4	CUSCINETTO	BEARING	COUSSINET	LAGER	
366	81007336/0	2	RUOTA SCOLPITA Ø 170	WHEEL, KNOBBLY Ø 170	ROUE SCULPTEE Ø 170	RAD M. STOLLENPR. Ø 170	
367	12521350/0	2	ROSETTA	WASHER	RONDELLE	SCHEIBE	
368	12155000/0	2	DADO	NUT	ECROU	MUTTER	
369	---	2	COPRIMOZZO	HUB CAP	COUVRE-MOYEU	RADKAPPE	(SEE ENCLOSURE 1)
370	22122200/0	4	CUSCINETTO	BEARING	COUSSINET	LAGER	

POS.	CODE	Q.TY	DESCRIZIONE	DESCRIPTION	DESCRIPTION	BESCHREIBUNG	REMARKS
371	81007337/0	2	RUOTA SCOLPITA Ø 210	WHEEL, KNOBBLY Ø 210	ROUE SCULPTEE Ø 210	RAD M. STOLLENPR. Ø 210	
372	12521350/0	2	ROSETTA	WASHER	RONDELLE	SCHEIBE	
373	12155000/0	2	DADO	NUT	ECROU	MUTTER	
374	---	2	COPRIMOZZO	HUB CAP	COUVRE-MOYEU	RADKAPPE	(SEE ENCLOSURE 2)
375	12530150/0	4	ROSETTA ELASTICA	SPRING WASHER	RONDELLE ELASTIQUE	ELASTISCHE SCHEIBE	

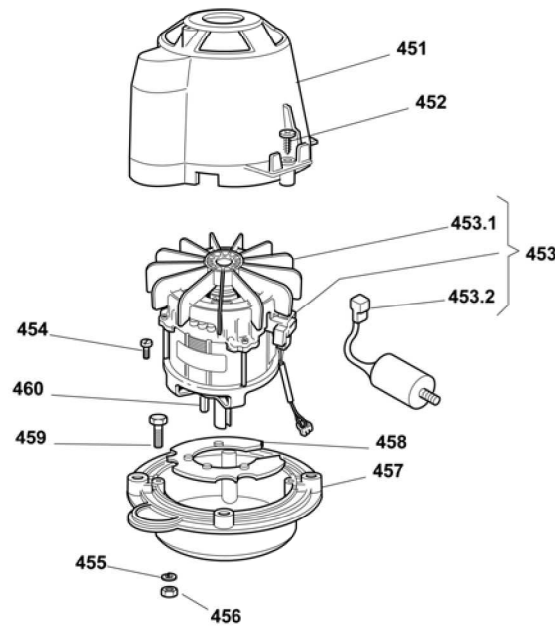
W

WL

480



2007
283.0
1 / 1

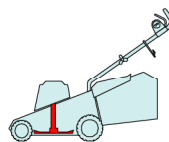


POS.	CODE	Q.TY	DESCRIZIONE	DESCRIPTION	DESCRIPTION	BESCHREIBUNG	REMARKS
451	22785061/0	1	SUPPORTO CAPOTTINA	SUPPORT, COVER	SUPPORT CAPOT	HALTER, HAUBE	
-	22785210/0	1	SUPPORTO CAPOTTINA	SUPPORT, COVER	SUPPORT CAPOT	HALTER, HAUBE	(1800W)
452	12728710/0	4	VITE	SCREW	VIS	SCHRAUBE	
453	18563605/0	1	MOTORE ATB	MOTOR ATB	MOTEUR ATB	MOTOR ATB	230V (1600W)
-	18563009/0	1	MOTORE RST	MOTOR RST	MOTEUR RST	MOTOR RST	230V (1600W)
-	18563640/0	1	MOTORE ATB	MOTOR ATB	MOTEUR ATB	MOTOR ATB	230V (1800W)
-	18563607/0	1	MOTORE ATB	MOTOR ATB	MOTEUR ATB	MOTOR ATB	240V (1600W)
453.1	18740054/0	1	VENTOLA PER MOTORE ATB	FAN MOTOR ATB	VENTILATEUR MOTEUR ATB	LÜFTER MOTOR ATB	
-	18740051/0	1	VENTOLA PER MOTORE RST	FAN MOTOR RST	VENTILATEUR MOTEUR RST	LÜFTER MOTOR RST	
453.2	18222045/0	1	CONDENSATORE 16 µF	CONDENSER 16 µF	CONDENSEUR 16 µF	KONDENSATOR 16 µF	(ATB - 1600W)
-	18222039/0	1	CONDENSATORE 25 µF	CONDENSER 25 µF	CONDENSEUR 25 µF	KONDENSATOR 25 µF	(ATB - 1800W)
-	18222038/0	1	CONDENSATORE 20 µF	CONDENSER 20 µF	CONDENSEUR 20 µF	KONDENSATOR 20 µF	(RST)
454	12735410/0	4	VITE	SCREW	VIS	SCHRAUBE	
455	12583500/0	4	GROWER	GROWER	GROWER	FEDERRING	
456	12293200/0	4	DADO	NUT	ECROU	MUTTER	
457	22207211/3	1	FLANGIA	FLANGE	BRIDE	FLANSCH	
-	22207216/0	1	FLANGIA	FLANGE	BRIDE	FLANSCH	(480 MULCHING)
458	22720360/1	1	SCHERMO VENTILAZIONE	VENTILATION SCREEN	ECRAN VENTILATION	LÜFTUNGSSCHIRM	
459	12793700/0	4	VITE	SCREW	VIS	SCHRAUBE	
460	12139440/0	1	LINGUETTA	FEATHER	CLAVETTE	KEIL	

W

WL

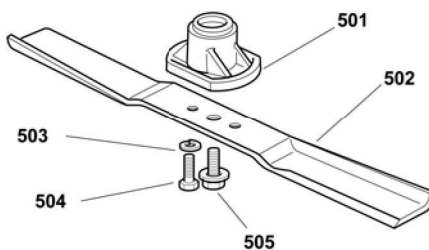
480



2007

284.0

1 / 1

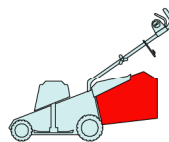


POS.	CODE	Q.TY	DESCRIZIONE	DESCRIPTION	DESCRIPTION	BESCHREIBUNG	REMARKS
501	22463186/2	1	MOZZO	HUB	MOYEU	HALTER	
502	81004346/3	1	COLTELLO STANDARD	BLADE STANDARD	LAME STANDARD	MESSER STANDARD	
503	12583500/0	2	GROWER	GROWER	GROWER	FEDERRING	
504	12793101/0	2	VITE	SCREW	VIS	SCHRAUBE	
505	81004352/0	1	VITE	SCREW	VIS	SCHRAUBE	

W

WL

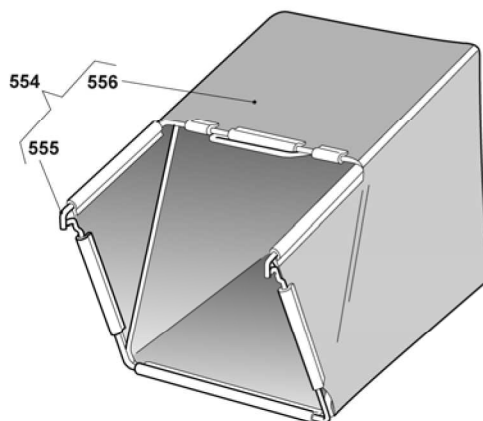
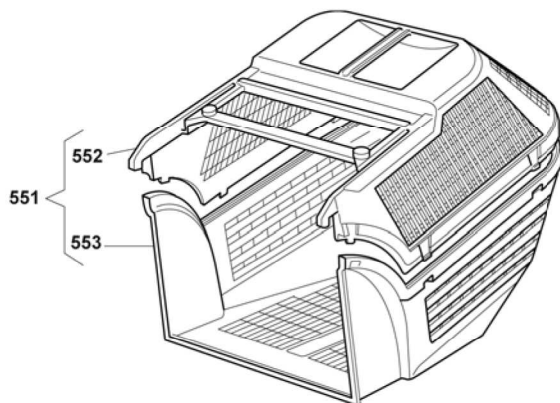
480



2007

285.0

1 / 1

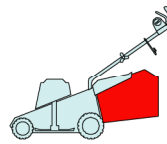


POS.	CODE	Q.TY	DESCRIZIONE	DESCRIPTION	DESCRIPTION	BESCHREIBUNG	REMARKS
551	94004000/0	1	SACCO COMPLETO	GRASS-BOX, COMPLETE	BAC COMPLET	KORB, KOMPLETTE	
552	22486073/0	1	SACCO, PARTE SUP	GRASS-BOX, UPPER PART	SAC, PARTIE SUPERIEURE	KORB, OBERTEIL	
553	22486074/0	1	SACCO, PARTE INF	GRASS-BOX, LOWER PART	SAC, PARTIE INFERIEURE	KORB, UNTERTEIL	
554	94005000/0	1	SACCO IN TELA, COMPLETO	GRASSCATCHER, CANVASS COMPLETE	SAC EN TOILE, COMPLETE	SACK, KOMPLETTE	
555	81006418/0	1	TELAIO SACCO	CHASSIS BOX	CHÂSSIS BAC	RAHMEN SACK	
556	81002105/2	1	SACCO, TELA	BOX, FABRIC	SAC, TOILE	SACK, TUCK	

W

WL

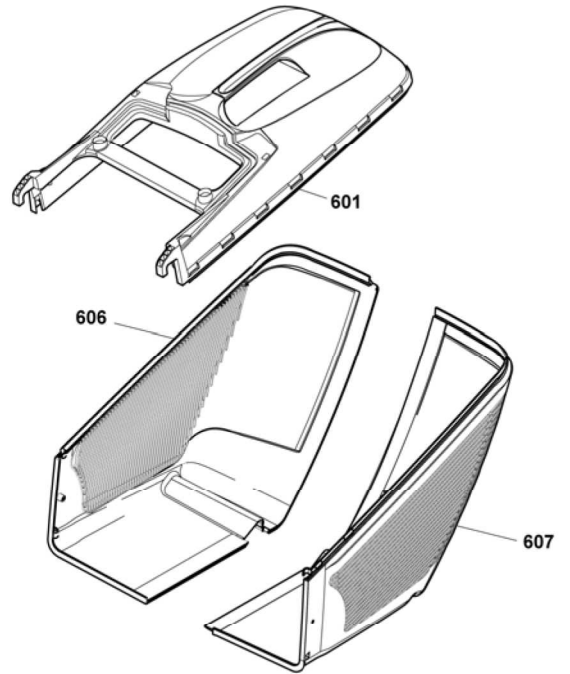
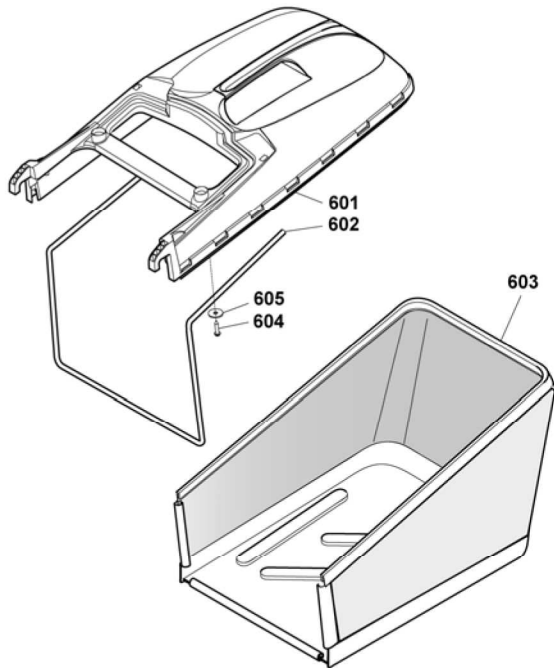
480



2007

285a.0

1 / 1



POS.	CODE	Q.TY	DESCRIZIONE	DESCRIPTION	DESCRIPTION	BESCHREIBUNG	REMARKS
601	22486101/0	1	SACCO, PARTE SUP	GRASS-BOX, UPPER PART	SAC, PARTIE SUPERIEURE	KORB, OBERTEIL	
602	22608525/0	1	RINFORZO INF	STIFFENING LOWER	RÉNFORCEMENT INF	VERSTÄRKUNG UNTERE	
603	81002211/0	1	SACCO, TELA	BOX, FABRIC	SAC, TOILE	SACK, TUCK	
604	12728680/0	2	VITE	SCREW	VIS	SCHRAUBE	
605	12523050/0	2	ROSETTA	WASHER	RONDELLE	SCHEIBE	
606	22486150/0	1	SACCO, PARTE INF DX	GRASS-BOX, R LOWER	SAC, PARTIE INFERIEURE D	KORB, R UNTERTEIL	
607	22486151/0	1	SACCO, PARTE INF SX	GRASS-BOX, L LOWER	SAC, PARTIE INFERIEURE G	KORB, L UNTERTEIL	