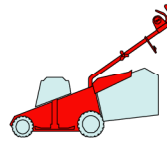
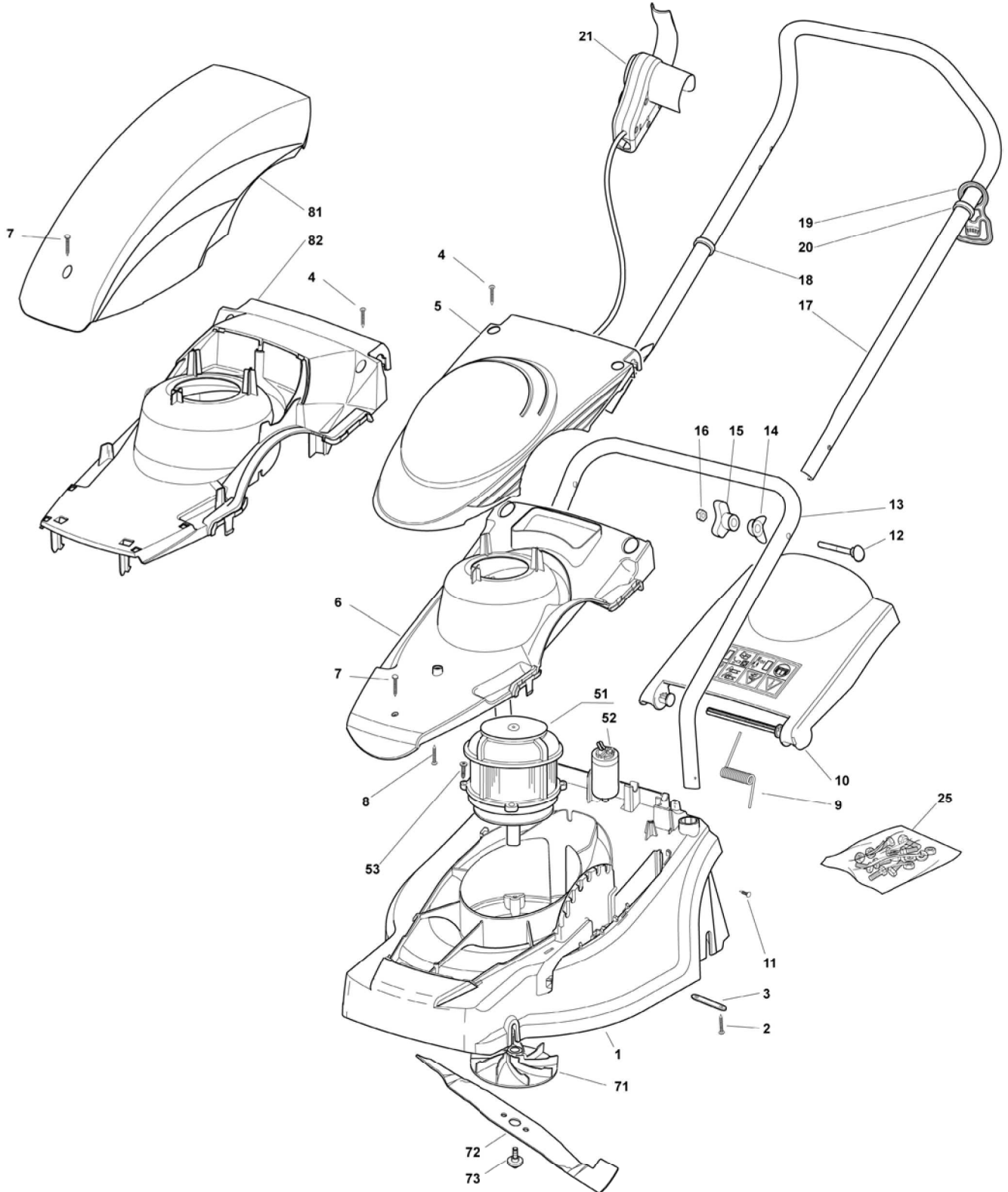


# SPL 410



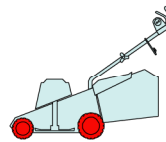
|       |
|-------|
| 2007  |
| 181.0 |
| 1 / 2 |



| POS. | CODE       | Q.TY | DESCRIZIONE       | DESCRIPTION | DESCRIPTION   | BESCHREIBUNG | REMARKS |
|------|------------|------|-------------------|-------------|---------------|--------------|---------|
| 1    | 22066713/0 | 1    | CHASSIS ROSSO     | DECK RED    | CHÂSSIS ROUGE | GEHÄUSE ROT  |         |
| 2    | 12728691/0 | 2    | VITE              | SCREW       | VIS           | SCHRAUBE     |         |
| 3    | 22608535/0 | 1    | PIASTRINA         | PLATE       | PLAQUETTE     | PLÄTTCHEN    |         |
| 4    | 12728685/0 | 2    | VITE              | SCREW       | VIS           | SCHRAUBE     |         |
| 5    | 22055124/0 | 1    | CAPOTTINA, GRIGIO | COVER, GREY | CAPOT, GRIS   | HAUBE, GRAU  |         |

| POS. | CODE       | Q.TY | DESCRIZIONE                | DESCRIPTION          | DESCRIPTION                  | BESCHREIBUNG      | REMARKS           |
|------|------------|------|----------------------------|----------------------|------------------------------|-------------------|-------------------|
| 5    | 22055108/0 | 1    | CAPOTTINA, ROSSO           | COVER RED            | CAPOT, ROUGE                 | HAUBE, ROT        |                   |
| 6    | 22109723/0 | 1    | SUPPORTO CAPOTTINA, GRIGIO | SUPPORT, COVER GREY  | SUPPORT CAPOT, GRIS          | HALTER, HAUBE     |                   |
| -    | 22109734/0 | 1    | SUPPORTO CAPOTTINA, NERO   | BLACK SUPPORT, COVER | SUPPORT CAPOT, NOIR          | HALTER, HAUBE     |                   |
| 7    | 12728524/0 | 1    | VITE                       | SCREW                | VIS                          | SCHRAUBE          |                   |
| 8    | 12728691/0 | 1    | VITE                       | SCREW                | VIS                          | SCHRAUBE          |                   |
| 9    | 22450423/0 | 1    | MOLLA                      | SPRING               | RESSORT                      | FEDER             |                   |
| 10   | 22600139/0 | 1    | PARASASSI GRIGIO           | STONE-GUARD, GREY    | PARE-PIERRES, GRIS           | PRALLBLECH, GRAU  |                   |
| -    | 22600151/0 | 1    | PARASASSI, NERO            | BLACK STONE-GUARD    | PARE-PIERRES, NOIR           | PRALLBLECH, GRAU  |                   |
| 11   | 12728450/0 | 2    | VITE                       | SCREW                | VIS                          | SCHRAUBE          |                   |
| 12   | 12819201/0 | 2    | VITE                       | SCREW                | VIS                          | SCHRAUBE          |                   |
| 13   | 81006661/0 | 1    | MANICO, PARTE INF          | HANDLE, LOWER PART   | MANCHERON, PARTIE INFERIEURE | HOLM, UNTERTEIL   |                   |
| 14   | 22680006/1 | 2    | ROSETTA                    | WASHER               | RONDELLE                     | SCHEIBE           |                   |
| 15   | 22399900/0 | 2    | MANOPOLINA                 | KNOB                 | POIGNÉE                      | GRIFF             |                   |
| 16   | 12293200/0 | 2    | DADO                       | NUT                  | ECROU                        | MUTTER            |                   |
| 17   | 81006571/0 | 1    | MANICO, PARTE SUP          | HANDLE, UPPER PART   | MANCHERON, PARTIE SUPERIEURE | HOLM, OBERTEIL    |                   |
| 18   | 22192000/1 | 2    | FASCETTA                   | CLAMP                | COLLIER                      | BOWDENZUGHALTER   |                   |
| 19   | 22195101/4 | 1    | FERMACAVO                  | FAIRLEAD             | FIXATION CABLE               | KABELBEFESTIGUNG  |                   |
| 20   | 22192151/0 | 1    | FASCETTA                   | CLAMP                | COLLIER                      | BOWDENZUGHALTER   |                   |
| 21   | -          | 1    | SALVAMOTORE                | DEAD HAND SWITCH     | INT. MAIN MORTE              | TOT MANSCHALTER   | (SEE ENCLOSURE 4) |
| 25   | 81008674/0 | 1    | DOTAZIONE VITERIA          | OUTFIT, SCREWS       | DOTATION VISSERIE            | SATZ, SCHRAUBEN   |                   |
| 51   | 18563653/0 | 1    | MOTORE                     | MOTOR                | MOTEUR                       | MOTOR             | 230-240V (1300W)  |
| -    | 18563625/0 | 1    | MOTORE                     | MOTOR                | MOTEUR                       | MOTOR             | 230-240V (1500W)  |
| 52   | 18222050/0 | 1    | CONDENSATORE 18 µF         | CONDENSER 18 µF      | CONDENSEUR 18 µF             | KONDENSATOR 18 µF |                   |
| 53   | 12735410/0 | 4    | VITE                       | SCREW                | VIS                          | SCHRAUBE          |                   |
| 71   | 22465602/0 | 1    | MOZZO GIRANTE              | HUB FAN              | MOYEU VENTILATEUR            | LÄUFENDENABE      |                   |
| 72   | 81004145/0 | 1    | COI TFI I O                | RI ADF               | I AMF                        | MFSSFR            |                   |
| 73   | 81004352/0 | 1    | VITE                       | SCREW                | VIS                          | SCHRAUBE          |                   |
| 81   | 22055123/0 | 1    | CAPOTTINA, GRIGIO          | COVER, GREY          | CAPOT, GRIS                  | HAUBE, GRAU       |                   |
| 82   | 22109733/0 | 1    | SUPPORTO CAPOTTINA, GRIGIO | SUPPORT, COVER GREY  | SUPPORT CAPOT, GRIS          | HALTER, HAUBE     |                   |

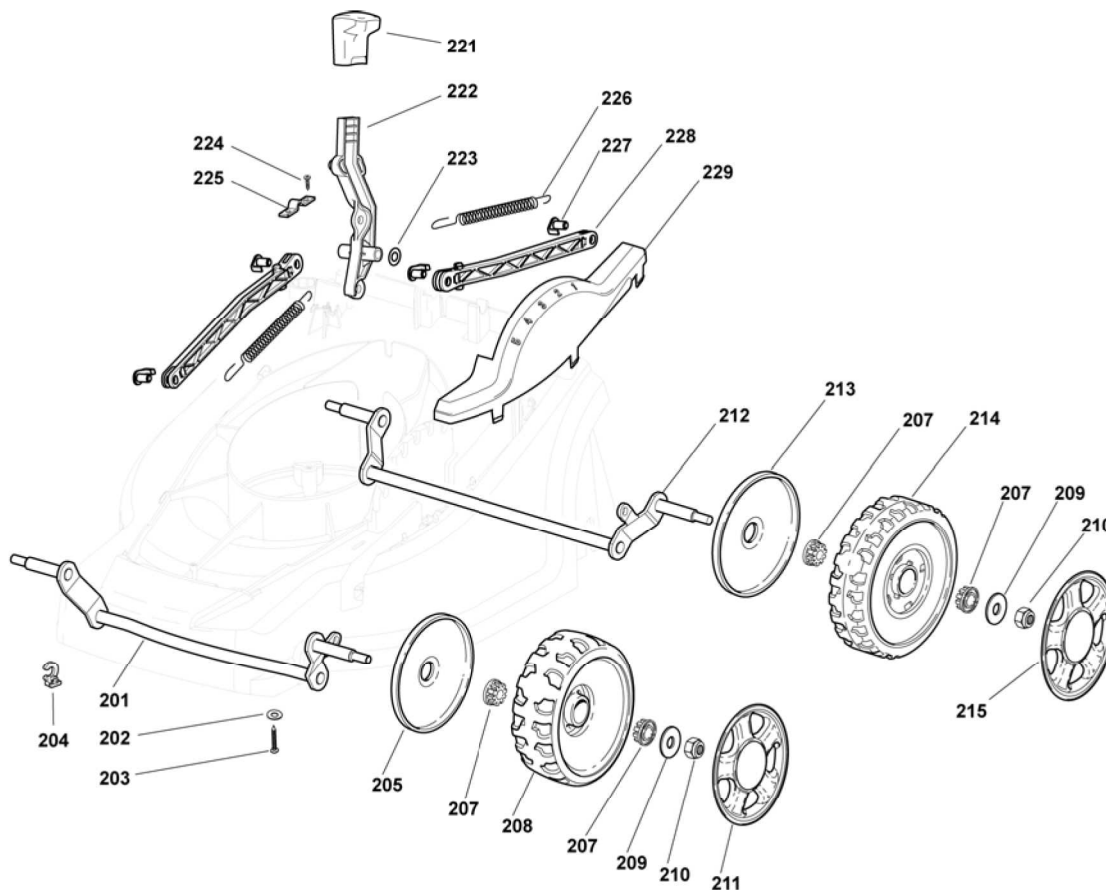
## SPL 410



2007

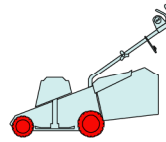
182.0

1 / 1



| POS. | CODE       | Q.TY | DESCRIZIONE              | DESCRIPTION              | DESCRIPTION            | BESCHREIBUNG           | REMARKS |
|------|------------|------|--------------------------|--------------------------|------------------------|------------------------|---------|
| 201  | 81002837/0 | 1    | ASSE RUOTE ANTERIORI     | AXLE, FRONT WHEELS       | AXE ROUES AVANT        | ACHSE, VORDERRAD       |         |
| 202  | 12523050/0 | 4    | ROSETTA                  | WASHER                   | RONDELLE               | SCHEIBE                |         |
| 203  | 12728680/0 | 4    | VITE                     | SCREW                    | VIS                    | SCHRAUBE               |         |
| 204  | 22170631/0 | 2    | DISTANZIALE              | SPACER                   | ENTRETOISE             | DISTANZRING            |         |
| 205  | 22600095/0 | 2    | PROTEZIONE               | PROTECTION               | PROTECTION             | SCHUTZ                 |         |
| 207  | 22034508/0 | 8    | BUSSOLA                  | BUSH                     | DOUILLE                | BUCHSE                 |         |
| 208  | 22686091/1 | 2    | RUOTA Ø 165              | WHEEL Ø 165              | ROUE Ø 165             | RAD Ø 165              |         |
| 209  | 12523060/0 | 4    | ROSETTA                  | WASHER                   | RONDELLE               | SCHEIBE                |         |
| 210  | 12155000/0 | 4    | DADO                     | NUT                      | ECROU                  | MUTTER                 |         |
| 211  | 22110381/0 | 2    | COPRIMOZZO GRIGIO        | HUB CAP GREY             | COUVRE-MOYEU GRIS      | RADKAPPE GRAU          |         |
| 212  | 81002839/0 | 1    | ASSE RUOTE POSTERIORI    | AXLE, REAR WHEELS        | AXE ROUES ARRIERE      | ACHSE, HINTERRAD       |         |
| 213  | 22600131/0 | 2    | PROT. RUOTE              | PROTECTION. WHEEL        | PROTECTION ROUE        | SCHÜTZ. RÄDER          |         |
| 214  | 22686092/0 | 2    | RUOTA Ø 190              | WHEEL Ø 190              | ROUE Ø190              | RAD Ø 190              |         |
| 215  | 22110382/0 | 2    | COPRIMOZZO GRIGIO        | HUB CAP GREY             | COUVRE-MOYEU GRIS      | RADKAPPE GRAU          |         |
| 221  | 22399818/0 | 1    | MANOPOLINA               | KNOB                     | POIGNÉE                | GRIFF                  |         |
| 222  | 22321524/0 | 1    | LEVA REGOLAZIONE ALTEZZA | LEVER, HEIGHT ADJUSTMENT | LEVIER REGLAGE HAUTEUR | HEBEL, HÖNEVERSTELLUNG |         |
| 223  | 22672154/0 | 1    | ROSETTA                  | WASHER                   | RONDELLE               | SCHEIBE                |         |
| 224  | 12728691/0 | 2    | VITE                     | SCREW                    | VIS                    | SCHRAUBE               |         |
| 225  | 25547049/0 | 1    | PIASTRINA                | PLATE                    | PLAQUETTE              | PLÄTTCHEN              |         |
| 226  | 22450424/0 | 2    | MOLLA                    | SPRING                   | RESSORT                | FEDER                  |         |
| 227  | 22524338/0 | 4    | PERNO                    | PIN                      | PIVOT                  | BOLZEN                 |         |
| 228  | 22869668/0 | 2    | TIRANTE                  | TIE ROD                  | TIRANT                 | SPANNSTANGE            |         |
| 229  | 22109724/0 | 1    | CARTER GRIGIO            | COVER, GREY              | COUVRE, GRIS           | KAPPE, GRAU            |         |
| -    | 22109731/0 | 1    | CARTER NERO              | COVER, BLACK             | COUVRE, NOIR           | KAPPE, GRAU            |         |

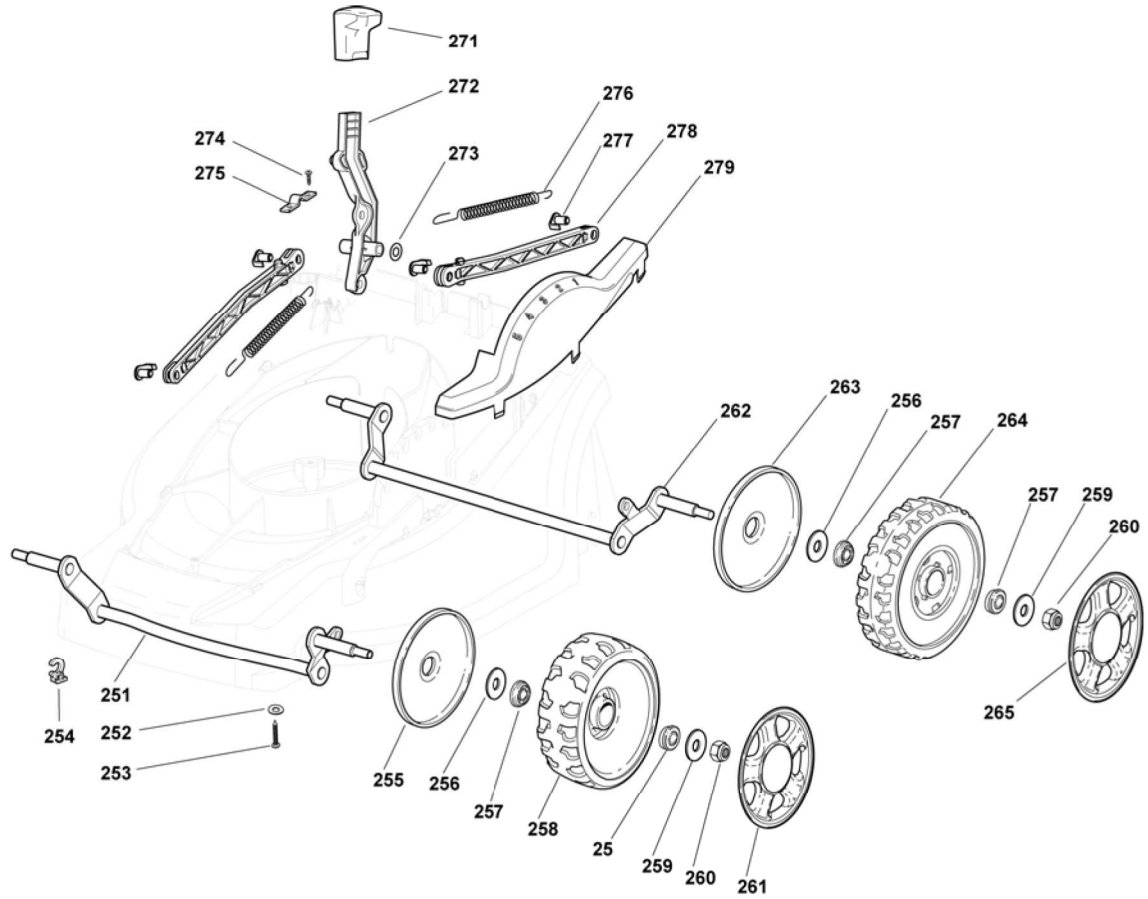
## SPL 410



2007

182a.0

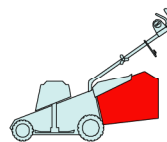
1 / 2



| POS. | CODE       | Q.TY | DESCRIZIONE              | DESCRIPTION              | DESCRIPTION            | BESCHREIBUNG           | REMARKS |
|------|------------|------|--------------------------|--------------------------|------------------------|------------------------|---------|
| 251  | 81002837/0 | 1    | ASSE RUOTE ANTERIORI     | AXLE, FRONT WHEELS       | AXE ROUES AVANT        | ACHSE, VORDERRAD       |         |
| 252  | 12523050/0 | 4    | ROSETTA                  | WASHER                   | RONDELLE               | SCHEIBE                |         |
| 253  | 12728680/0 | 4    | VITE                     | SCREW                    | VIS                    | SCHRAUBE               |         |
| 254  | 22170631/0 | 2    | DISTANZIALE              | SPACER                   | ENTRETOISE             | DISTANZRING            |         |
| 255  | 22600095/0 | 2    | PROTEZIONE               | PROTECTION               | PROTECTION             | SCHUTZ                 |         |
| 256  | 22675100/0 | 4    | ROSETTA                  | WASHER                   | RONDELLE               | SCHEIBE                |         |
| 257  | 22122200/0 | 8    | CUSCINETTO               | BEARING                  | COUSSINET              | LAGER                  |         |
| 258  | 22686091/1 | 2    | RUOTA Ø 165              | WHEEL Ø 165              | ROUE Ø 165             | RAD Ø 165              |         |
| 259  | 12523060/0 | 4    | ROSETTA                  | WASHER                   | RONDELLE               | SCHEIBE                |         |
| 260  | 12155000/0 | 4    | DADO                     | NUT                      | ECROU                  | MUTTER                 |         |
| 261  | 22110381/0 | 2    | COPRIMOZZO GRIGIO        | HUB CAP GREY             | COUVRE-MOYEU GRIS      | RADKAPPE GRAU          |         |
| 262  | 81002839/0 | 1    | ASSE RUOTE POSTERIORI    | AXLE, REAR WHEELS        | AXE ROUES ARRIERE      | ACHSE, HINTERRAD       |         |
| 263  | 22600131/0 | 2    | PROT. RUOTE              | PROTECTION, WHEEL        | PROTECTION ROUE        | SCHÜTZ, RÄDER          |         |
| 264  | 22686092/0 | 2    | RUOTA Ø 190              | WHEEL Ø 190              | ROUE Ø190              | RAD Ø 190              |         |
| 265  | 22110382/0 | 2    | COPRIMOZZO GRIGIO        | HUB CAP GREY             | COUVRE-MOYEU GRIS      | RADKAPPE GRAU          |         |
| 271  | 22399818/0 | 1    | MANOPOLINA               | KNOB                     | POIGNÉE                | GRIFF                  |         |
| 272  | 22321524/0 | 1    | LEVA REGOLAZIONE ALTEZZA | LEVER, HEIGHT ADJUSTMENT | LEVIER REGLAGE HAUTEUR | HEBEL, HÖNEVERSTELLUNG |         |
| 273  | 22672154/0 | 1    | ROSETTA                  | WASHER                   | RONDELLE               | SCHEIBE                |         |
| 274  | 12728691/0 | 2    | VITE                     | SCREW                    | VIS                    | SCHRAUBE               |         |
| 275  | 25547049/0 | 1    | PIASTRINA                | PLATE                    | PLAQUETTE              | PLÄTTCHEN              |         |
| 276  | 22450424/0 | 2    | MOLLA                    | SPRING                   | RESSORT                | FEDER                  |         |
| 277  | 22524338/0 | 4    | PERNO                    | PIN                      | PIVOT                  | BOLZEN                 |         |
| 278  | 22869668/0 | 2    | TIRANTE                  | TIE ROD                  | TIRANT                 | SPANNSTANGE            |         |

| POS. | CODE       | Q.TY | DESCRIZIONE   | DESCRIPTION  | DESCRIPTION  | BESCHREIBUNG | REMARKS |
|------|------------|------|---------------|--------------|--------------|--------------|---------|
| 279  | 22109724/0 | 1    | CARTER GRIGIO | COVER, GREY  | COUVRE, GRIS | KAPPE, GRAU  |         |
| -    | 22109731/0 | 1    | CARTER NERO   | COVER, BLACK | COUVRE, NOIR | KAPPE, GRAU  |         |

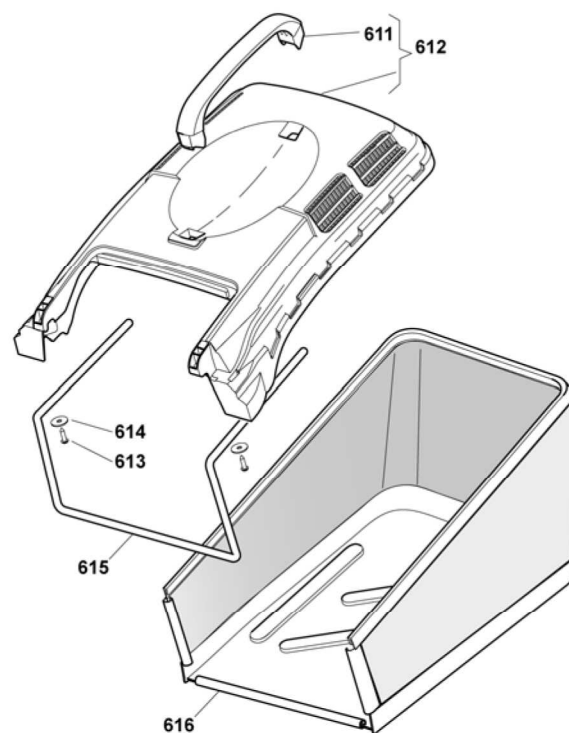
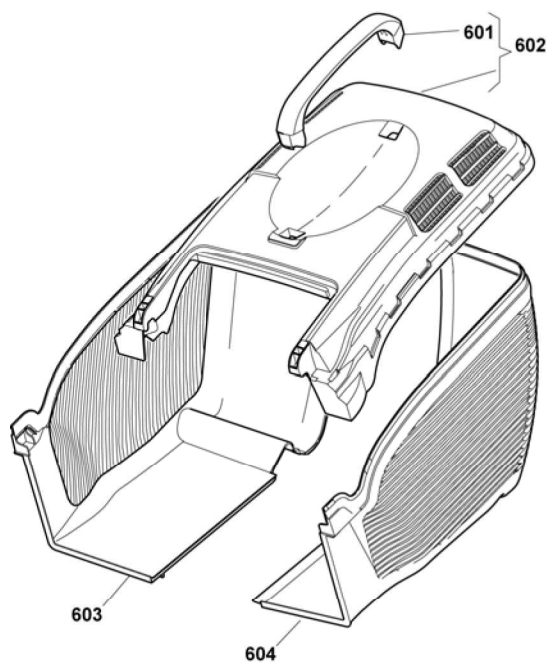
## SPL 410



2007

183.0

1 / 2



| POS. | CODE       | Q.TY | DESCRIZIONE            | DESCRIPTION         | DESCRIPTION              | BESCHREIBUNG       | REMARKS |
|------|------------|------|------------------------|---------------------|--------------------------|--------------------|---------|
| 601  | 22393614/0 | 1    | MANIGLIA GRIGIO        | HANDLE, GREY        | POIGNÉE, GRIS            | GRIF, GRAU         |         |
| 602  | 81000460/0 | 1    | PARTE SUP.SACCO, ROSSO | GRASSBOX UPPER PART | SAC, PARTIE SUPERIEURE   | KORB OBERTEIL      |         |
| 603  | 22486176/0 | 1    | SACCO, PARTE INF DX    | GRASS-BOX, R LOWER  | SAC, PARTIE INFERIEURE D | KORB, R UNTERTEIL  |         |
| 604  | 22486177/0 | 1    | SACCO, PARTE INF SX    | GRASS-BOX, L LOWER  | SAC, PARTIE INFERIEURE G | KORB, L UNTERTEIL  |         |
| 611  | 22393614/0 | 1    | MANIGLIA GRIGIO        | HANDLE, GREY        | POIGNÉE, GRIS            | GRIF, GRAU         |         |
| 612  | 81000460/0 | 1    | PARTE SUP.SACCO, ROSSO | GRASSBOX UPPER PART | SAC, PARTIE SUPERIEURE   | KORB OBERTEIL      |         |
| 613  | 12728680/0 | 2    | VITE                   | SCREW               | VIS                      | SCHRAUBE           |         |
| 614  | 12523050/0 | 2    | ROSETTA                | WASHER              | RONDELLE                 | SCHEIBE            |         |
| 615  | 22608539/0 | 1    | RINFORZO INF           | STIFFENING LOWER    | RÉNFORCEMENT INF         | VERSTÄRKUNG UNTERE |         |
| 616  | 81002266/0 | 1    | SACCO, TELA            | BOX, FABRIC         | SAC, TOILE               | SACK, TUCK         |         |