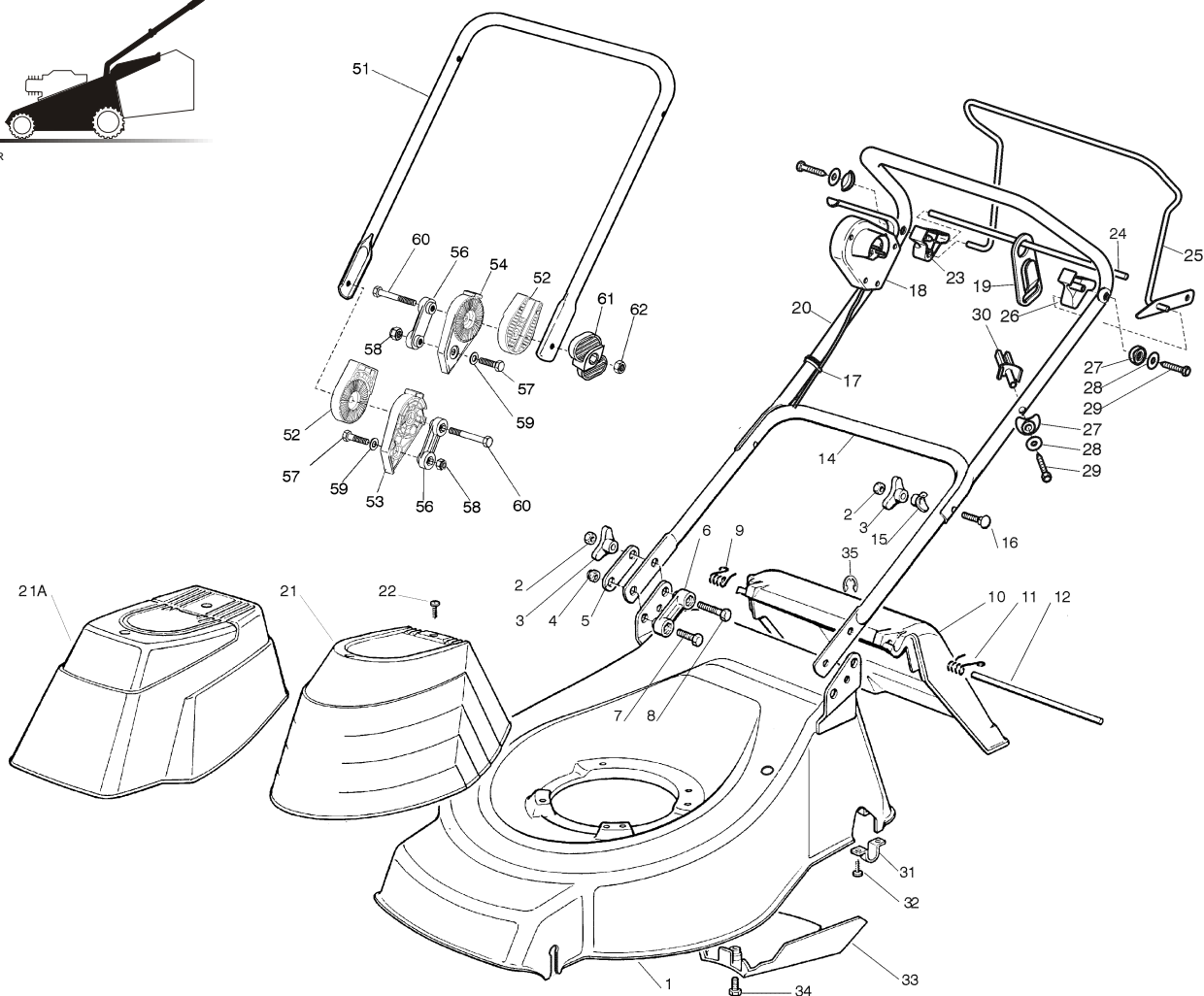


01D\_TDL430TR



01T.024

| Pos. | code       | Q.ty | Descrizione         | Description        | Description                  | Beschreibung    | Remarks                  |
|------|------------|------|---------------------|--------------------|------------------------------|-----------------|--------------------------|
| 1    | 81001645/0 | 1    | CHASSIS ROSSO       | DECK RED           | CHÂSSIS ROUGE                | GEHÄUSE ROTES   |                          |
| -    | 81001646/0 | 1    | CHASSIS GIALLO      | DECK YELLOW        | CHÂSSIS JAUNE                | GEHÄUSE GELBES  |                          |
| -    | 81001647/0 | 1    | CHASSIS VERDE       | DECK GREEN         | CHÂSSIS VERT                 | GEHÄUSE GRÜNES  |                          |
| 2    | 12293200/0 | 4    | DADO                | NUT                | ECROU                        | MUTTER          |                          |
| 3    | 22399900/0 | 4    | MANOPOLINA          | KNOB               | POIGNÉE                      | GRIFF           |                          |
| 4    | 12155000/0 | 2    | DADO                | NUT                | ECROU                        | MUTTER          |                          |
| 5    | 22551574/0 | 2    | PIASTRINA ESTERNA   | PLATE, OUTSIDE     | PLAQUETTE EXTERNE            | PLATTE, ÄUßERE  |                          |
| 6    | 22551575/0 | 2    | PIASTRINA INTERNA   | PLATE, INSIDE      | PLAQUETTE INTERNE            | PLATTE, INNERE  |                          |
| 7    | 12793300/0 | 2    | VITE                | SCREW              | VIS                          | SCHRAUBE        |                          |
| 8    | 12691115/0 | 2    | VITE                | SCREW              | VIS                          | SCHRAUBE        |                          |
| 9    | 22450410/1 | 1    | MOLLA DX            | R SPRING           | RESSORT D                    | RECHTE FEDER    |                          |
| 10   | 22600046/2 | 1    | PARASASSI           | STONE-GUARD        | PARE-PIERRES                 | PRALLBLECH      |                          |
| 11   | 22450420/1 | 1    | MOLLA SX            | L SPRING           | RESSORT G                    | LINKE FEDER     |                          |
| 12   | 22517906/1 | 1    | PERNO               | PIN                | PIVOT                        | BOLZEN          |                          |
| 14   | 81006512/0 | 1    | MANICO, PARTE INF   | HANDLE, LOWER PART | MANCHERON, PARTIE INFERIEURE | HOLM, UNTERTEIL |                          |
| 15   | 22680006/1 | 2    | RONDELLA            | WASHER             | RONDELLE                     | SCHEIBE         |                          |
| 16   | 12819201/0 | 2    | VITE                | SCREW              | VIS                          | SCHRAUBE        |                          |
| 17   | 22192000/1 | 2    | FASCETTA ANCORAGGIO | ANCHOR CLAMP       | COLLIER ANCRAGE              | BOWDENZUGHALTER |                          |
| 18   | 18710604/0 | 1    | SALVAMOTORE         | DEAD HAND SWITCH   | INT. MAIN MORTE              | TOT MANSCHALTER | 10A 602 MS               |
| -    | 18710572/0 | 1    | SALVAMOTORE         | DEAD HAND SWITCH   | INT. MAIN MORTE              | TOT MANSCHALTER | 10A 603 MS (ONLY FOR CH) |

74

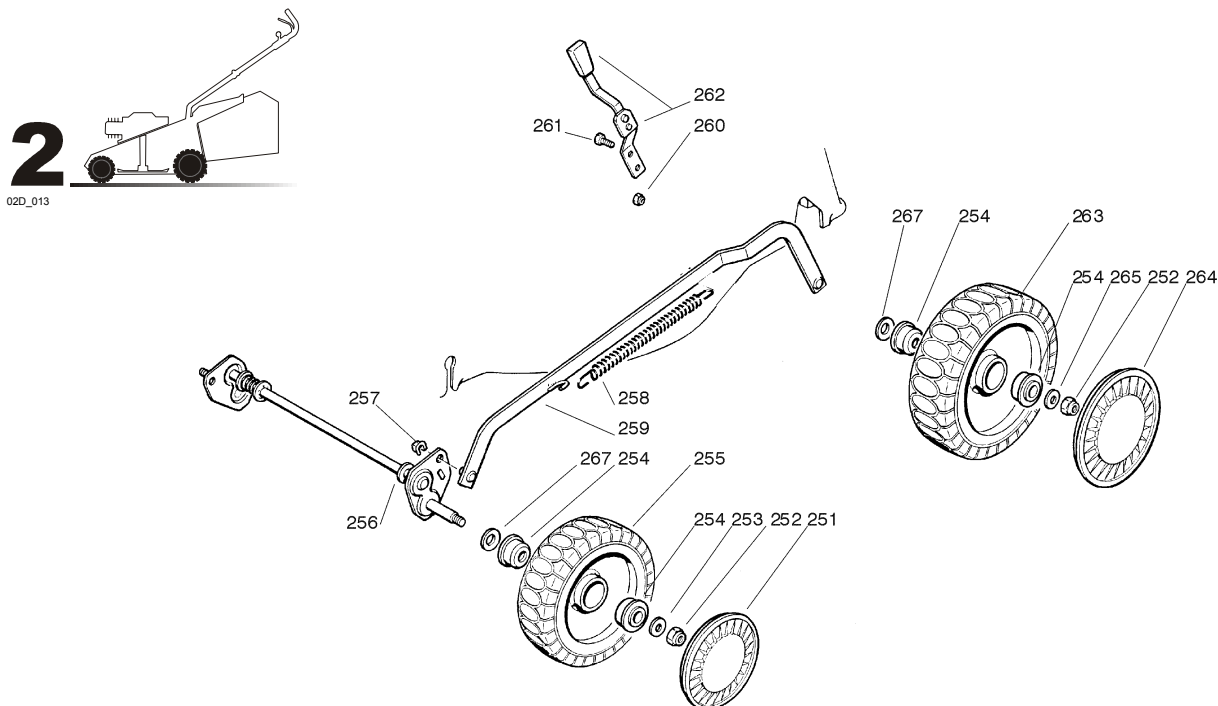
01T.024

| Pos. | code       | Q.ty | Descrizione                       | Description                                    | Description                                | Beschreibung                              | Remarks              |
|------|------------|------|-----------------------------------|--|--|---|----------------------|
| 18   | 18710634/0 | 1    | SALVAMOTORE - SENZA PROT. TERMICA | DEAD HAND SWITCH - WITHOUT OVERLOAD PROTECTION | INT. MAIN MORTE - SANS PROTECTION TERMIQUE | TOT MANSCHALTER - OHNE THERMISCHER SCHUTZ | 602 MS               |
| -    | 18710627/1 | 1    | SALVAMOTORE - SENZA PROT. TERMICA | DEAD HAND SWITCH - WITHOUT OVERLOAD PROTECTION | INT. MAIN MORTE - SANS PROTECTION TERMIQUE | TOT MANSCHALTER - OHNE THERMISCHER SCHUTZ | 603 MS (ONLY FOR CH) |
| 19   | 22195101/2 | 1    | FERMACAVO                         | FAIRLEAD                                       | FIXATION CABLE                             | KABELBEFESTIGUNG                          |                      |
| 20   | 81006957/0 | 1    | MANICO, PARTE SUP                 | HANDLE, UPPER PART                             | MANCHERON, PARTIE SUPERIEURE               | HOLM, OBERTEIL                            |                      |
| 21   | 22055033/1 | 1    | CAPOTTINA                         | COVER  | CAPOT                                      | HAUBE                                     |                      |
| 21A  | 22055045/1 | 1    | CAPOTTINA                         | COVER  | CAPOT                                      | HAUBE                                     |                      |
| 22   | 12728680/0 | 2    | VITE                              | SCREW  | VIS  | SCHRAUBE                                  |                      |
| 23   | 22806518/0 | 1    | SUPPORTO DX                       | SUPPORT, R                                     | SUPPORT D                                  | HALTER, RECHTER                           |                      |
| 24   | 22020320/0 | 1    | AGGANCIO FERMACAVO                | FAIRLEAD BEARING                               | SUPPORT SERRECABLE                         | KABELHALTER                               |                      |
| 25   | 81001245/0 | 1    | LEVA TRAZIONE                     | DRIVING LEVER                                  | LEVIER TRACTION                            | ANTRIEHBEBEL                              |                      |
| 26   | 22806519/0 | 1    | SUPPORTO SX                       | SUPPORT, L                                     | SUPPORT G                                  | HALTER, LINKER                            |                      |
| 27   | 22680007/0 | 3    | RONDELLA                          | WASHER   | RONDELLE                                   | SCHEIBE                                   |                      |
| 28   | 12523040/0 | 3    | RONDELLA                          | WASHER   | RONDELLE                                   | SCHEIBE                                   |                      |
| 29   | 12735103/0 | 3    | VITE                              | SCREW  | VIS  | SCHRAUBE                                  |                      |
| 30   | 22806520/0 | 1    | SUPPORTO REGISTRO                 | SUPPORT, ADJUSTER                              | SUPPORT ECROU REG.                         | HALTER, REGLER                            |                      |
| 31   | 22545152/0 | 2    | PIASTRINA                         | PLATE  | PLAQUETTE                                  | PLATTE                                    |                      |
| 32   | 12788910/0 | 4    | VITE                              | SCREW  | VIS  | SCHRAUBE                                  |                      |
| 33   | 22060191/1 | 1    | CARTER CINGHIA                    | PROTECTION, BELT                               | PROTECTION COURROIRE                       | SCHUTZ, RIEMEN                            |                      |
| 34   | 12727791/0 | 1    | VITE                              | SCREW  | VIS  | SCHRAUBE                                  |                      |
| 35   | 12000930/0 | 1    | ANELLO ELASTICO                   | SNAP RING                                      | ANNEAU RESSORT                             | SPRENGRING                                |                      |
| —    | 81008596/1 | 1    | DOTAZIONE VITERIA                 | OUTFIT, SCREWS                                 | DOTATION VISSERIE                          | SATZ, SCHRAUBEN                           |                      |

## VARIANTE REGOLAZIONE MANICO - HANDLE ADJUSTMENT MODIFICATION - MODIFICATION REGLAGE POIGNEE - ÄNDERUNG GRIFFENSTEEL

01T.002

| Pos. | code       | Q.ty | Descrizione         | Description         | Description                  | Beschreibung     | Remarks |
|------|------------|------|---------------------|---------------------|------------------------------|------------------|---------|
| 51   | 81006510/0 | 1    | MANICO, PARTE INF   | HANDLE, LOWER PART  | MANCHERON, PARTIE INFERIEURE | HOLM, UNTERTEIL  |         |
| 52   | 22785081/0 | 2    | SUPPORTO ESTERNO    | SUPPORT, EXTERNAL   | SUPPORT EXTERNE              | HALTER, AUßERE   |         |
| 53   | 22785082/0 | 1    | SUPPORTO INTERNO DX | SUPPORT, R INTERNAL | SUPPORT INTERNE D            | HALTER, INNERE R |         |
| 54   | 22785083/1 | 1    | SUPPORTO INTERNO SX | SUPPORT, L INTERNAL | SUPPORT INTERNE G            | HALTER, INNERE L |         |
| 56   | 22551575/0 | 2    | PIASTRINA INTERNA   | PLATE, INSIDE       | PLAQUETTE INTERNE            | PLATTE, INNERE   |         |
| 57   | 12793701/0 | 2    | VITE                | SCREW               | VIS                          | SCHRAUBE         |         |
| 58   | 12155000/0 | 2    | DADO                | NUT                 | ECROU                        | MUTTER           |         |
| 59   | 12521350/0 | 2    | RONDELLA            | WASHER              | RONDELLE                     | SCHEIBE          |         |
| 60   | 12691810/0 | 2    | VITE                | SCREW               | VIS                          | SCHRAUBE         |         |
| 61   | 22399803/0 | 2    | MANOPOLINA          | KNOB                | POIGNÉE                      | GRIFF            |         |
| 62   | 12293202/0 | 2    | DADO                | NUT                 | ECROU                        | MUTTER           |         |
| —    | 81008622/0 | 1    | DOTAZIONE VITERIA   | OUTFIT, SCREWS      | DOTATION VISSERIE            | SATZ, SCHRAUBEN  |         |

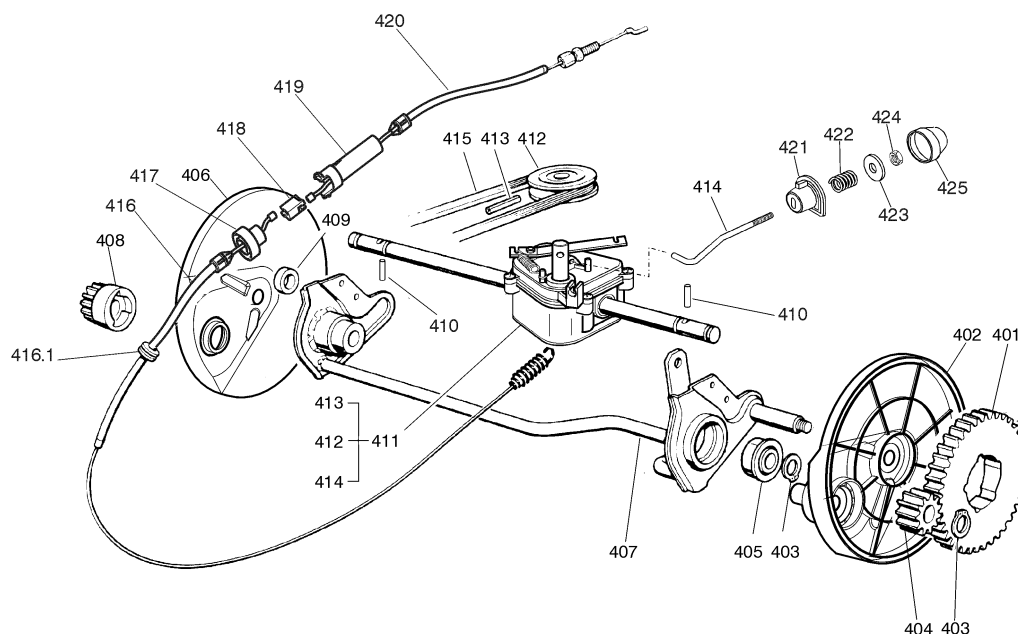
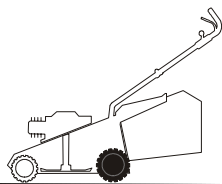


02T.013

| Pos. | code       | Q.ty | Descrizione                 | Description                    | Description                   | Beshreibung             | Remarks |
|------|------------|------|-----------------------------|--------------------------------|-------------------------------|-------------------------|---------|
| 251  | 22110282/0 | 2    | COPRIMOZZO BIANCO           | HUB CAP WHITE                  | COUVRE-MOYEU BLANC            | RADKAPPE WEIßE          |         |
| -    | 22110288/0 | 2    | COPRIMOZZO GIALLO           | HUB CAP YELLOW                 | COUVRE-MOYEU JAUNE            | RADKAPPE GELBE          |         |
| -    | 22110290/0 | 2    | COPRIMOZZO ROSSO            | HUB CAP RED                    | COUVRE-MOYEU ROUGE            | RADKAPPE ROTE           |         |
| 252  | 12155000/0 | 4    | DADO                        | NUT                            | ECROU                         | MUTTER                  |         |
| 253  | 12521350/0 | 2    | RONDELLA                    | WASHER                         | RONDELLE                      | SCHEIBE                 |         |
| 254  | 22122200/0 | 8    | CUSCINETTO                  | BEARING                        | COUSSINET                     | LAGER                   |         |
| 255  | 81007336/0 | 2    | RUOTA SCOLPITA Ø 170        | WHEEL, KNOBBLY Ø 170           | ROUE SCULPTEE Ø 170           | RAD M. STOLLENPR. Ø 170 |         |
| 256  | 81001272/0 | 1    | ASSE RUOTE ANTERIORE        | AXLE, FRONT WHEELS             | AXE ROUES AVANT               | ACHSE, VORDERRAD        |         |
| 257  | 12436050/0 | 2    | PIASTRINA                   | PLATE                          | PLAQUETTE                     | PLÄTTCHEN               |         |
| 258  | 22446180/0 | 1    | MOLLA                       | SPRING                         | RESSORT                       | FEDER                   |         |
| 259  | 81001275/0 | 1    | ASTA COMANDO REGOL. ALTEZZA | ROD, HEIGHT ADJUSTMENT CONTROL | TIGE COMMANDE REGLAGE HAUTEUR | STANGE, HÖHEVERSTELLUNG |         |
| 260  | 12154330/0 | 2    | DADO                        | NUT                            | ECROU                         | MUTTER                  |         |
| 261  | 12789000/0 | 2    | VITE                        | SCREW                          | VIS                           | SCHRAUBE                |         |
| 262  | 81003279/2 | 1    | LEVA REGOLAZIONE ALTEZZA    | LEVER, HEIGHT ADJUSTMENT       | LEVIER, REGLAGE HAUTEUR       | HEBEL, HÖHEVERSTELLUNG  |         |
| 263  | 81007337/0 | 2    | RUOTA SCOLPITA Ø 210        | WHEEL, KNOBBLY Ø 210           | ROUE SCULPTEE Ø 210           | RAD M. STOLLENPR. Ø 210 |         |
| 264  | 22110281/0 | 2    | COPRIMOZZO BIANCO           | HUB CAP WHITE                  | COUVRE-MOYEU BLANC            | RADKAPPE WEIßE          |         |
| -    | 22110287/0 | 2    | COPRIMOZZO GIALLO           | HUB CAP YELLOW                 | COUVRE-MOYEU JAUNE            | RADKAPPE GELBE          |         |
| -    | 22110289/0 | 2    | COPRIMOZZO ROSSO            | HUB CAP RED                    | COUVRE-MOYEU ROUGE            | RADKAPPE ROTE           |         |
| 265  | 12369500/0 | 2    | RONDELLA                    | WASHER                         | RONDELLE                      | SCHEIBE                 |         |
| 267  | 12530150/0 | 4    | RONDELLA ELASTICA           | ELASTIC WASHER                 | RONDELLE ELASTIQUE            | ELASTISCHE SCHEIBE      |         |

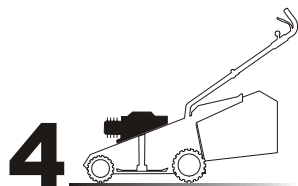
## 3

03D\_002

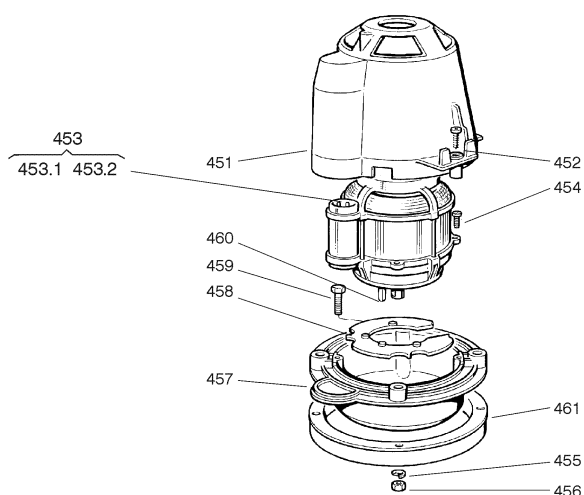


03T\_002

| Pos.  | code       | Q.ty | Descrizione               | Description             | Description                         | Beshreibung           | Remarks             |
|-------|------------|------|---------------------------|-------------------------|-------------------------------------|-----------------------|---------------------|
| 401   | 22120105/1 | 2    | CORONA                    | RING GEAR               | COURONNE                            | KRANZ                 |                     |
| 402   | 22600093/0 | 1    | PROT RUOTE SX             | PROTECTION, L WHEEL     | PROTECTION ROUE G                   | SCHÜTZ, LINKES RÄDER  |                     |
| 403   | 12608600/0 | 4    | SEEGER                    | SEEGER                  | SEEGER                              | SEEGER                |                     |
| 404   | 22570120/1 | 1    | PIGNONE SX                | PINION L                | PIGNON G                            | RITZEL LINKES         |                     |
| 405   | 19216035/0 | 2    | CUSCINETTO                | BEARING                 | COUSSINET                           | LAGER                 |                     |
| 406   | 22600092/0 | 1    | PROT RUOTE DX             | PROTECTION, R WHEEL     | PROTECTION ROUE D                   | SCHÜTZ, RECHTES RÄDER |                     |
| 407   | 81000147/0 | 1    | ASSE RUOTE POSTERIORE     | AXLE, REAR WHEELS       | AXE ROUES ARRIERE                   | ACHSE, HINTERRAD      |                     |
| 408   | 22570110/1 | 1    | PIGNONE DX                | PINION R                | PIGNON D                            | RITZEL RECHTES        |                     |
| 409   | 22170800/0 | 1    | DISTANZIALE               | SPACER                  | ENTRETOISE                          | DISTANZRING           |                     |
| 410   | 22753000/0 | 2    | SPINA                     | PIN                     | GOUPILLE                            | STIFT                 |                     |
| 411   | 81003072/1 | 1    | GRUPPO TRAZIONE           | GEAR BOX                | GROUPE TRACTION                     | ANTRIEB               | (BI. CI. DI.)       |
| -     | 81003059/2 | 1    | GRUPPO TRAZIONE           | GEAR BOX                | GROUPE TRACTION                     | ANTRIEB               | (FRANCE REDUCTEURS) |
| 412   | 22601904/0 | 1    | PULEGGIA                  | PULLEY                  | POULIE                              | RIEMENSCHIEBE         |                     |
| 413   | 12645705/0 | 1    | SPINA                     | PIN                     | GOUPILLE                            | STIFT                 |                     |
| 414   | 22033280/0 | 1    | ASTA REGOLAZIONE          | ADJUSTMENT ROD          | TIGE REGLAGE                        | VERSTELLUNGSTANGE     |                     |
| 415   | 35063710/0 | 1    | CINGHIA Z 25              | BELT Z 25               | COURROIE Z 25                       | RIEMEN Z 25           |                     |
| 416   | 81001157/0 | 1    | CAVO COMANDO TRAZIONE INF | CABLE, REAR DRIVE LOWER | CÂBLE, COMMANDE TRACTION INFÉRIEURE | KABEL, ANTRIEB UNTER  | (BI. CI. DI.)       |
| -     | 81001138/0 | 1    | CAVO COMANDO TRAZIONE INF | CABLE, REAR DRIVE LOWER | CÂBLE, COMMANDE TRACTION INFÉRIEURE | KABEL, ANTRIEB UNTER  | (FRANCE REDUCTEURS) |
| 416.1 | 18564510/0 | 1    | PASSACAVO                 | FAIR LEAD               | PASSE CABLE                         | KABELDURCHGANG        | (BI. CI. DI.)       |
| 417   | 22246031/0 | 1    | GIUNZIONE INF             | LOWER JOINT             | CONNECTION INF                      | VERBINDUNG OBEN       |                     |
| 418   | 22042040/0 | 1    | BUSSOLA ISOLAMENTO        | ISOLATION COMPASS       | BOUSSOLE DE ISOLEMENT               | ABSONDERUNG KOMPAS    |                     |
| 419   | 22246030/0 | 1    | GIUNZIONE SUP             | UPPER JOINT             | CONNECTION SUP                      | VERBINDUNG UNTER      |                     |
| 420   | 81001150/0 | 1    | CAVO COMANDO TRAZIONE SUP | CABLE, REAR DRIVE UPPER | CÂBLE, COMMANDE TRACTION SUPÉRIEURE | KABEL, ANTRIEB OBER   |                     |
| 421   | 22041957/1 | 1    | BUSSOLA                   | BUSH                    | DOUILLE                             | BUCHSE                |                     |
| 422   | 22450063/0 | 1    | MOLLA                     | SPRING                  | RESSORT                             | FEDER                 |                     |
| 423   | 22680009/0 | 1    | RONDELLA                  | WASHER                  | RONDELLE                            | SCHEIBE               |                     |
| 424   | 12154510/0 | 1    | DADO                      | NUT                     | ECROU                               | MUTTER                |                     |
| 425   | 22110230/0 | 1    | TAPPO                     | CAP                     | BOUCHON                             | GUMMISTOPFEN          |                     |

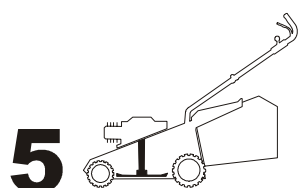


04D\_002

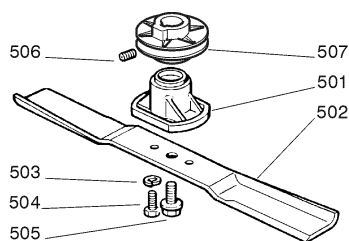


04T\_002

| Pos.  | code       | Q.ty | Descrizione            | Description        | Description            | Beshreibung       | Remarks      |
|-------|------------|------|------------------------|--------------------|------------------------|-------------------|--------------|
| 451   | 22785061/0 | 1    | SUPPORTO CAPOTTINA     | SUPPORT, COVER     | SUPPORT CAPOT          | HALTER, HAUBE     |              |
| 452   | 12728710/0 | 4    | VITE                   | SCREW              | VIS                    | SCHRAUBE          |              |
| 453   | 18563012/0 | 1    | MOTORE RST             | MOTOR RST          | MOTEUR RST             | MOTOR RST         | 230V (1600W) |
| 453.1 | 18740051/0 | 1    | VENTOLA PER MOTORE RST | FAN MOTOR RST      | VENTILATEUR MOTEUR RST | LÜFTER MOTOR RST  |              |
| 453.2 | 18222038/0 | 1    | CONDENSATORE 20 µF     | CONDENSER 20 µF    | CONDENSEUR 20 µF       | KONDENSATOR 20 µF |              |
| 454   | 12735410/0 | 4    | VITE                   | SCREW              | VIS                    | SCHRAUBE          |              |
| 455   | 12583500/0 | 4    | GROWER                 | GROWER             | GROWER                 | FEDERRING         |              |
| 456   | 12293200/0 | 4    | DADO                   | NUT                | ECROU                  | MUTTER            |              |
| 457   | 22207211/3 | 1    | FLANGIA                | FLANGE             | BRIDE                  | FLANSCH           |              |
| 458   | 22720360/1 | 1    | SCHERMO VENTILAZIONE   | VENTILATION SCREEN | ECRAN VENTILATION      | LÜFTUNGSSCHIRM    |              |
| 459   | 12691800/0 | 4    | VITE                   | SCREW              | VIS                    | SCHRAUBE          |              |
| 460   | 12139440/0 | 1    | LINGUETTA              | FEATHER            | CLAVETTE               | KEIL              |              |
| 461   | 81003471/0 | 1    | DISTANZIALE            | SPACER             | ENTRETOISE             | DISTANZRING       |              |



05D\_004



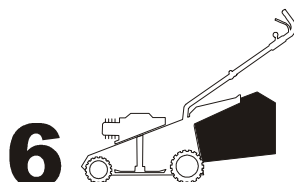
05T\_007

| Pos. | code       | Q.ty | Descrizione       | Description    | Description   | Beshreibung     | Remarks |
|------|------------|------|-------------------|----------------|---------------|-----------------|---------|
| 501  | 22463186/2 | 1    | MOZZO             | HUB            | MOYEU         | HALTER          |         |
| 502  | 81004341/3 | 1    | COLTELLO STANDARD | BLADE STANDARD | LAME STANDARD | MESSER STANDARD |         |
| -    | 81004396/0 | 1    | COLTELLO ALETTATO | BLADE WINGED   | LAME AILETTÉE | MESSER FLÜGEL   |         |

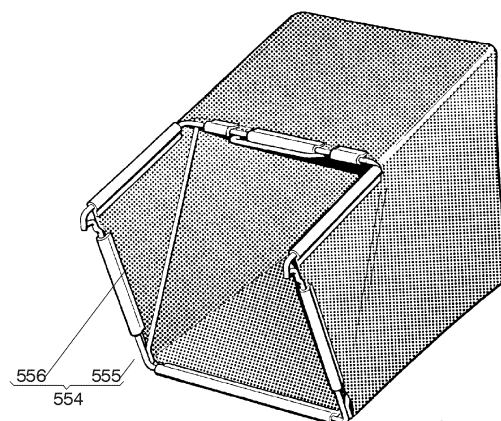
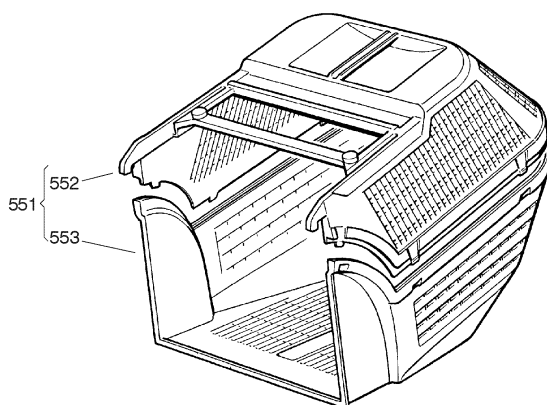
74

05T.007

| Pos. | code       | Q.ty | Descrizione | Description | Description | Beschreibung | Remarks |
|------|------------|------|-------------|-------------|-------------|--------------|---------|
| 503  | 12583500/0 | 2    | GROWER      | GROWER      | GROWER      | FEDERRING    |         |
| 504  | 12793101/0 | 2    | VITE        | SCREW       | VIS         | SCHRAUBE     |         |
| 505  | 81004352/0 | 1    | VITE        | SCREW       | VIS         | SCHRAUBE     |         |
| 506  | 12713801/0 | 1    | GRANO       | DOWEL       | GRAIN       | STIFT        |         |
| 507  | 22601911/0 | 1    | PULEGGIA    | PULLEY      | POUILE      | RIEMENSCHIBE |         |



06D\_002



06T.002

| Pos. | code       | Q.ty | Descrizione             | Description                    | Description            | Beschreibung    | Remarks |
|------|------------|------|-------------------------|--------------------------------|------------------------|-----------------|---------|
| 551  | 94004000/0 | 1    | SACCO COMPLETO          | GRASS-BOX, COMPLETE            | BAC COMPLET            | KORB, KOMPLETTE |         |
| 552  | 22486073/0 | 1    | SACCO, PARTE SUP        | GRASS-BOX, UPPER PART          | SAC, PARTIE SUPERIEURE | KORB, OBERTEIL  |         |
| 553  | 22486074/0 | 1    | SACCO, PARTE INF        | GRASS-BOX, LOWER PART          | SAC, PARTIE INFERIEURE | KORB, UNTERTEIL |         |
| 554  | 94005000/0 | 1    | SACCO IN TELA, COMPLETO | GRASSCATCHER, CANVASS COMPLETE | SAC EN TOILE, COMPLETE | SACK, KOMPLETTE |         |
| 555  | 81006418/0 | 1    | TELAIO SACCO            | CHASSIS BOX                    | CHÂSSIS BAC            | RAHMEN SACK     |         |
| 556  | 81002105/2 | 1    | SACCO, TELA             | BOX, FABRIC                    | SAC, TOILE             | SACK, TUCK      |         |