



Green Passion

Illustrated Parts List

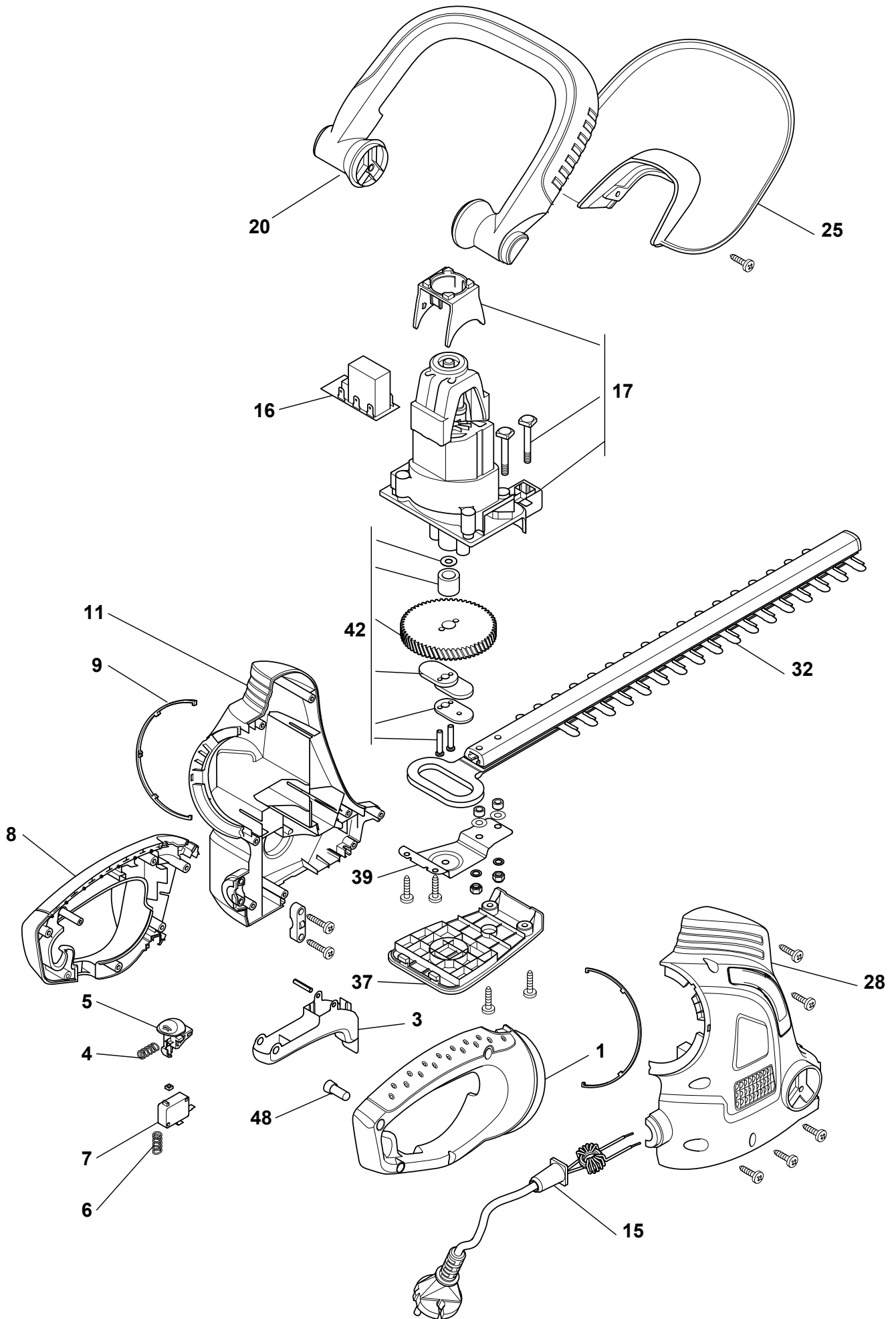
XHT 600

Model Year 2011

- Use GLOBAL GARDEN PRODUCT Genuine Spare Parts specified in the parts list for repair and/or replacement.
- The contents described in the parts list may change due to improvement.
- The drawings of the spare parts are only indicative and might not represent the part in question exactly.
- The indications "right" - "left" - "front" - "rear" refer to the position of the operator when using the machine.
- When placing orders of parts for repair and/or replacement, make sure that the illustrated parts list is the one applying to the machine's year of manufacture, as shown on the identification plate attached to the machine.

COPYRIGHT by GLOBAL GARDEN PRODUCTS

All rights reserved. No part of this material may be reproduced or transmitted, in any form or by any means, electronic or mechanical, including photocopying, recording or by any information storage and retrieval system, without permission in writing from GLOBAL GARDEN PRODUCTS.





XHT 600

XHT600

Pos.	Part no.	Q.ty	Description	Remarks
1	118800575/0	1	Right Handgrip	
3	118800576/0	1	Switch Lever	
4	118800577/0	1	Spring	
5	118800578/0	1	Button	
6	118800579/0	1	Spring	
7	118800580/0	1	Switch	
8	118800581/0	1	Left Handgrip	
9	118800582/0	2	Ring	
11	118800583/0	1	Left Handgrip	
15	118800584/0	1	Power Cord Assy	
16	118800585/0	1	Electronic Card	
17	118800587/0	1	Motor	
20	118800588/0	1	Front Handgrip Ass.	
25	118800589/0	1	Guard	
28	118800590/0	1	Right Handgrip	
32	118800573/0	1	Blade Ass.Y	
37	118800591/0	1	Lower Case	
39	118800592/0	1	Blade Guard	
42	118800593/0	1	Transmission Unit	
48	118800594/0	1	Button	