



*Green Passion*

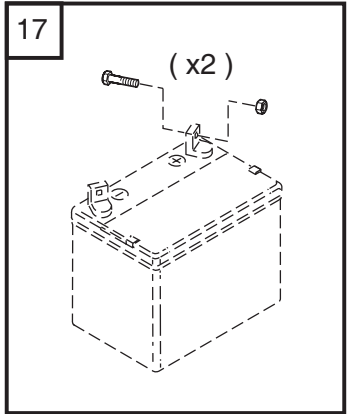
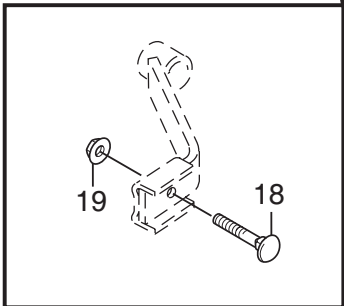
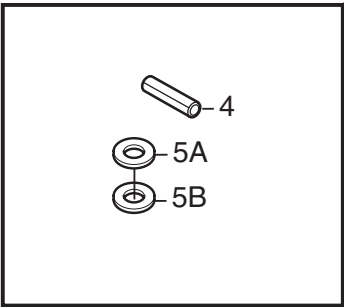
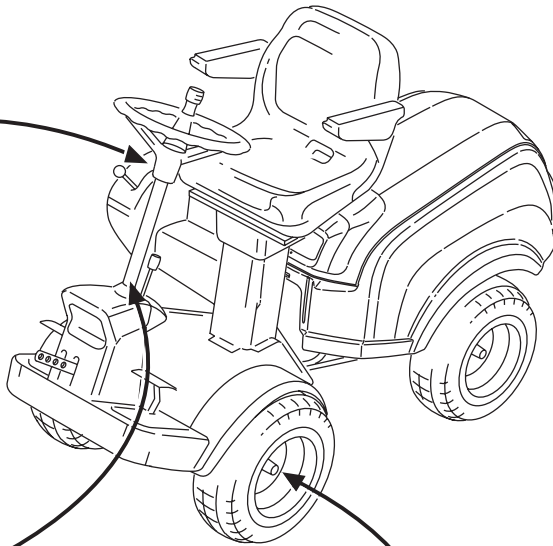
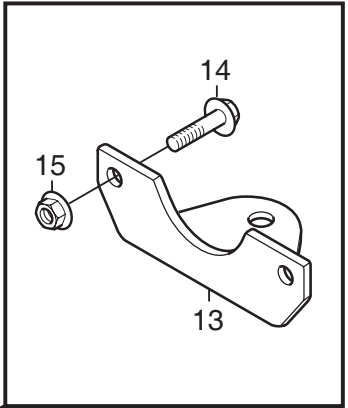
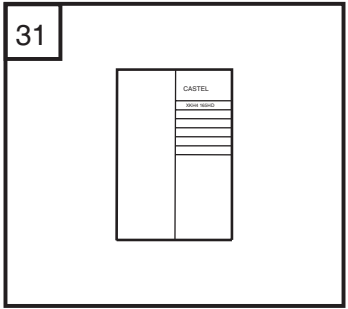
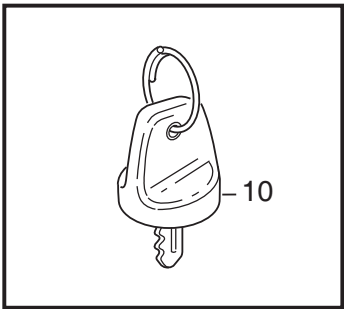
# Illustrated Parts List

**XKH4 165HD**  
**Model Year 2009**

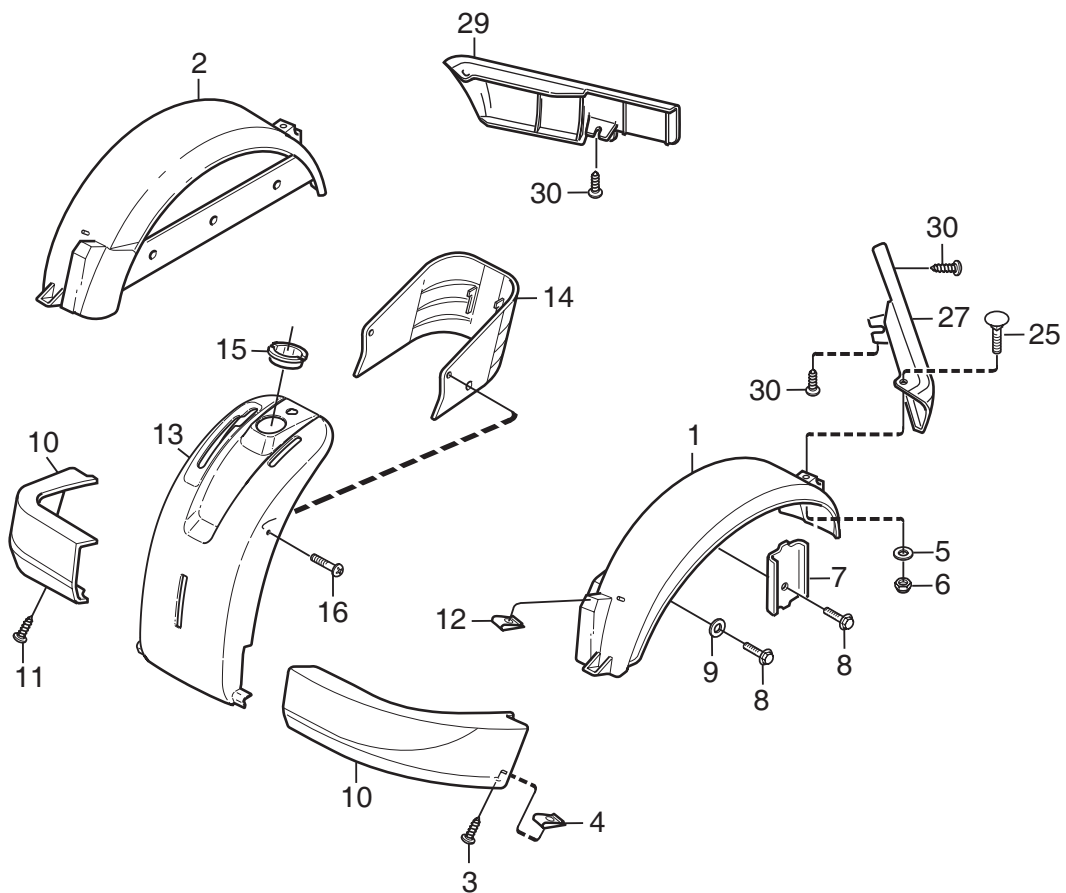
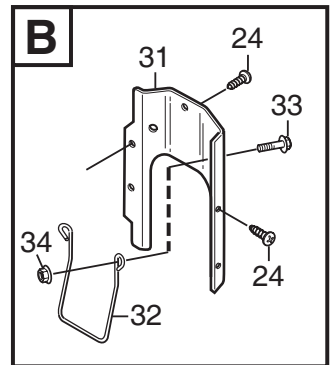
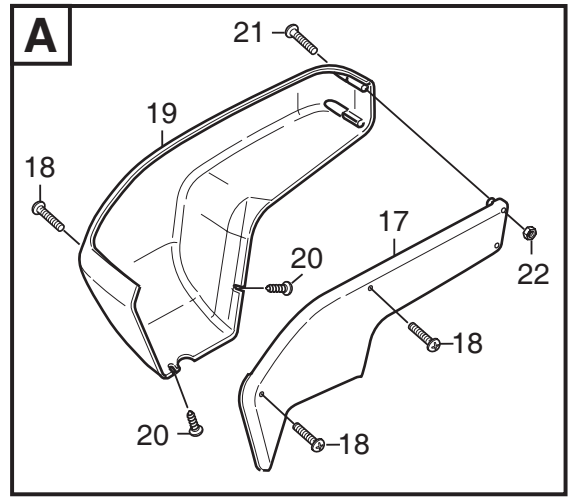
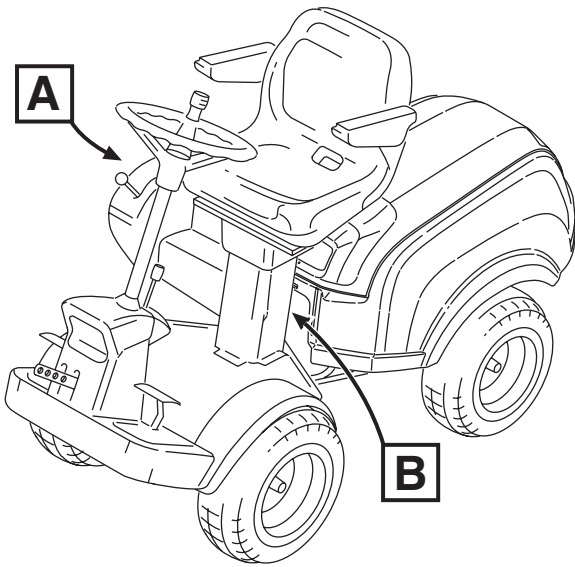
- Use GLOBAL GARDEN PRODUCT Genuine Spare Parts specified in the parts list for repair and/or replacement.
- The contents described in the parts list may change due to improvement.
- The drawings of the spare parts are only indicative and might not represent the part in question exactly.
- The indications "right" - "left" - "front" - "rear" refer to the position of the operator when using the machine.
- When placing orders of parts for repair and/or replacement, make sure that the illustrated parts list is the one applying to the machine's year of manufacture, as shown on the identification plate attached to the machine.

COPYRIGHT by GLOBAL GARDEN PRODUCTS

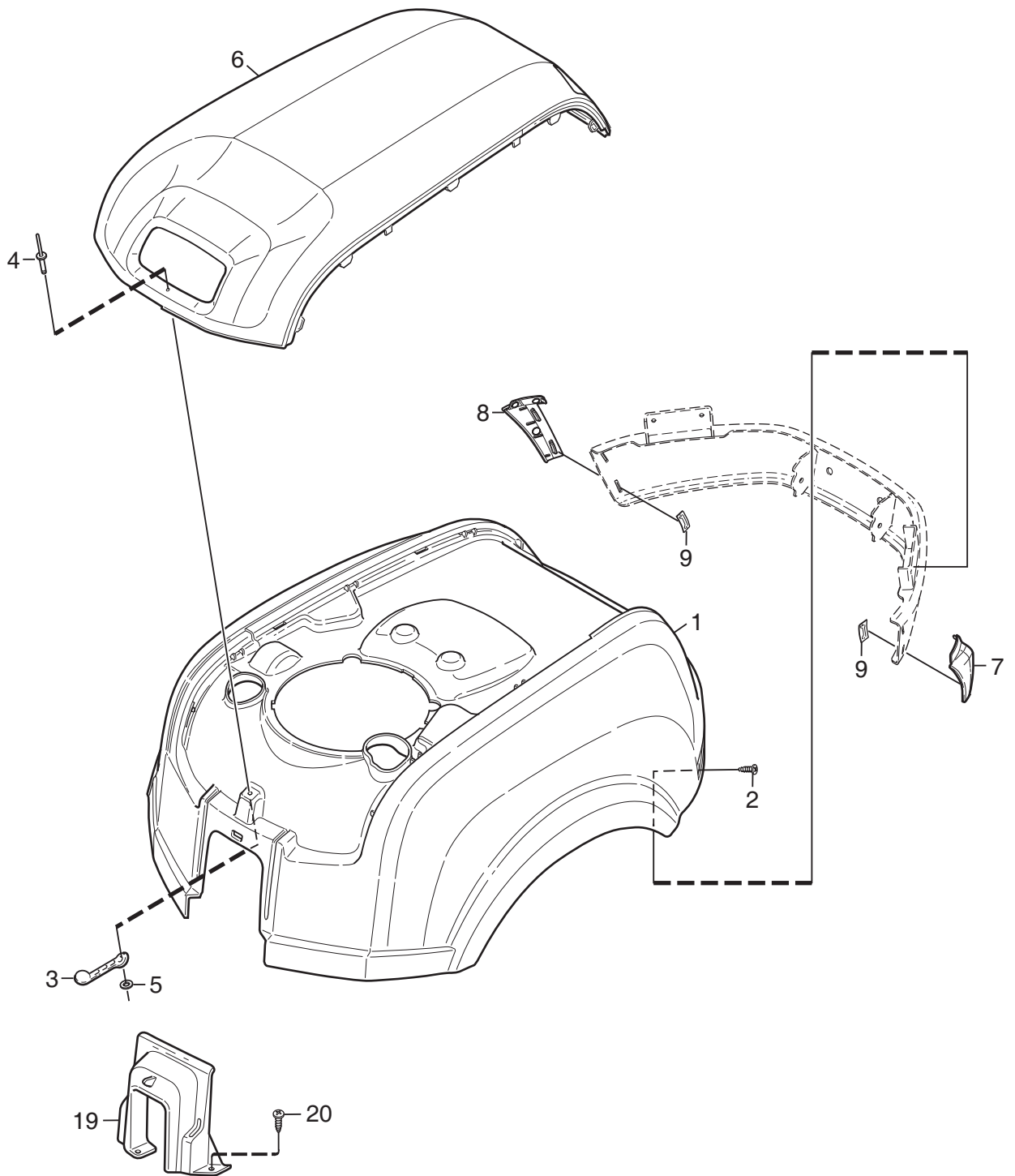
All rights reserved. No part of this material may be reproduced or transmitted, in any form or by any means, electronic or mechanical, including photocopying, recording or by any information storage and retrieval system, without permission in writing from GLOBAL GARDEN PRODUCTS.



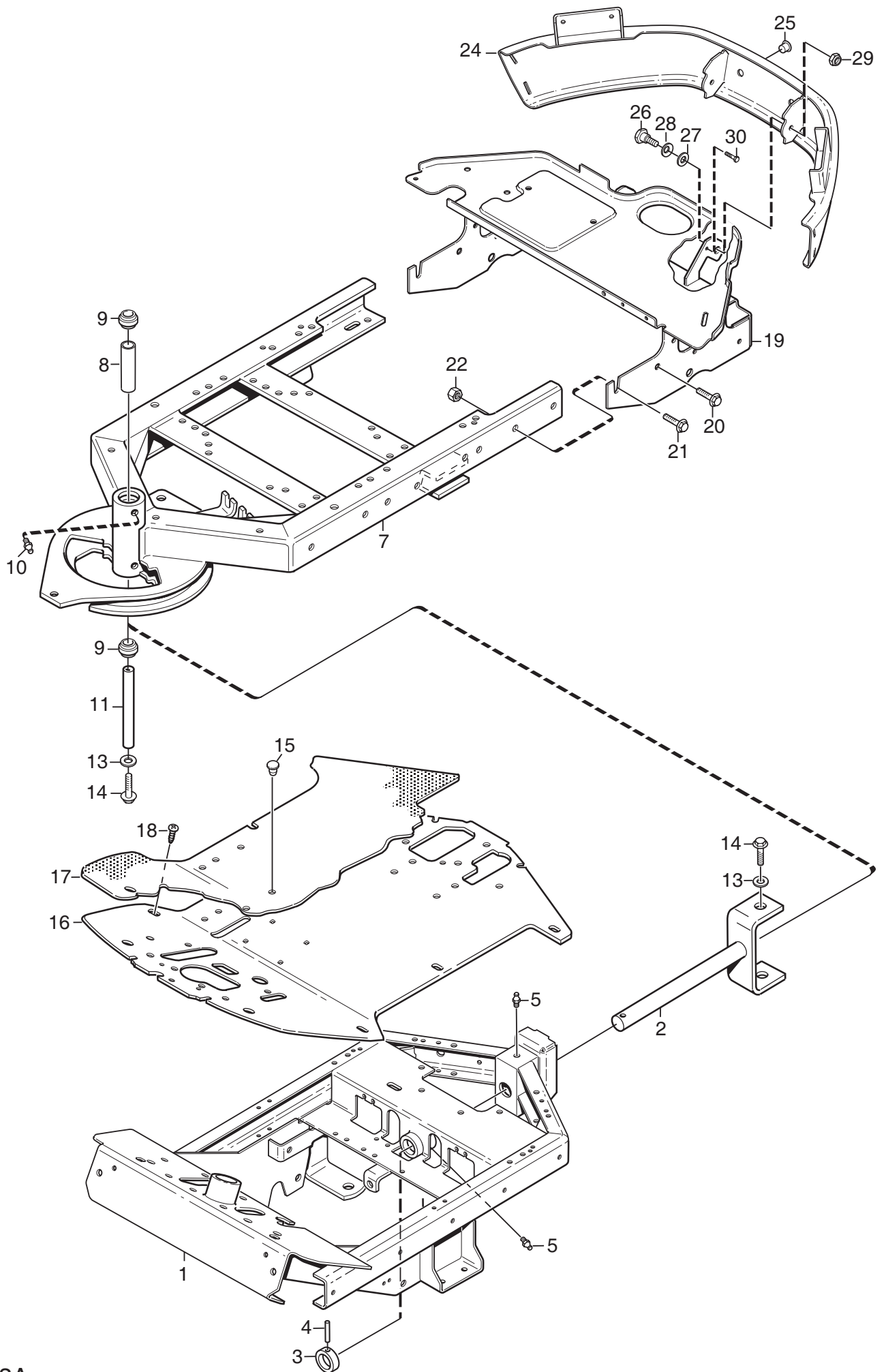
Utgåva Issue		Bildnr Picture No		XKH4 165HD MONTERINGSDETALJER		XKH4 165HD ASSEMBLY PARTS		Sida Page	
2009-31		C198						134	
Pos. Fig.	Antal/Quantity				Art nr Part No	Benämning	Description	Sats Kit	Anmärkning Notes
	6197 -85								
4	1				9595-0262-00 Spännstift .....	Locating pin .....			
5A	1				9699-0103-02 Shims .....	Flat washer .....			0.5 mm
5B	1				9699-0114-02 Shims .....	Flat washer .....			1.0 mm
10	2				1134-4734-01 Tändningsnyckel .....	Ignition key .....			
13	1				1134-5512-01 Dragplåt .....	Towing plate .....			
14	2				9959-0820-16 Skruv .....	Screw .....			
15	2				9739-0831-22 Mutter .....	Nut .....			
17	1				1134-6113-02 Batteriskruvar .....	Battery screws .....			
18	2				9898-1035-16 Skruv .....	Screw .....			
19	2				9739-1031-22 Mutter .....	Nut .....			
31	1				8211-0075-90 Bruksanvisning .....	Owner's manual .....			
31	1				8211-0613-90 Monteringsanvisning .....	Assy instructions .....			
31	1				8211-0701-91 Säkerhetsföreskrifter .....	Safety regulations .....			



Utgåva Issue		Bildnr Picture No		XKH4 165HD KAROSS-FRAM		XKH4 165HD BODY WORK- FRONT		Sida Page	
2009-31		C199						136	
Pos. Fig.	Antal/Quantity				Art nr Part No	Benämning	Description	Sats Kit	Anmärkning Notes
	6197 -85								
1	1				1134-5308-06 Skärm- vä, grå .....	Mud guard- LH, grey .....			
2	1				1134-5308-05 Skärm- hö, grå .....	Mud guard- RH, grey .....			
3	2				9893-0616-16 Skruv .....	Screw .....			
4	4				1134-4176-01 Clips .....	Clips .....			
5	2				9699-0060-02 Planbricka .....	Flat washer .....			
6	2				9747-0631-02 Låsmutter .....	Lock nut .....			
7	2				1134-0225-00 Stödplåt .....	Support plate .....			
8	6				9945-0816-16 Skruv .....	Screw .....			
9	4				9699-0056-02 Planbricka .....	Flat washer .....			
10	1				1134-5367-01 Stötfångare- vä .....	Bumper- LH .....			
10	1				1134-5367-02 Stötfångare- hö .....	Bumper- RH .....			
11	6				9893-0616-16 Skruv .....	Screw .....			
12	2				1134-4176-01 Clips .....	Clips .....			
13	1				1134-5362-01 Frontdekor- röd .....	Front plate- red .....			
14	1				1134-5361-01 Frontlock- röd .....	Front cover- red .....			
15	1				1134-4483-01 Bussning .....	Bushing .....			
16	2				9840-8013-16 Skruv .....	Screw .....			
17	1				1134-4360-05 Kåpa- inre .....	Cover- inner .....			
18	3				9946-0525-16 Skruv .....	Screw .....			
19	1				1134-3979-05 Kåpa- yttre .....	Cover- outer .....			
20	2				9840-8013-16 Skruv .....	Screw .....			
21	2				9950-0570-12 Skruv .....	Screw .....			
22	2				9747-0531-02 Mutter .....	Nut .....			
24	4				9893-0616-16 Skruv .....	Screw .....			
25	2				9897-0616-16 Vagnsbult .....	Carriage bolt .....			
27	1				1134-3970-09 Kantlist- vä, grå .....	Moulding- LH, grey .....			
29	1				1134-3970-10 Kantlist- hö, grå .....	Moulding- RH, grey .....			
30	4				9893-0616-16 Skruv .....	Screw .....			
31	1				1134-6461-02 Bakstycke .....	Rear plate .....			
32	1				1134-6460-01 Skyddsbygel .....	Protective loop .....			
33	2				9959-0820-16 Skruv .....	Screw .....			
34	2				9739-0831-22 Mutter .....	Nut .....			



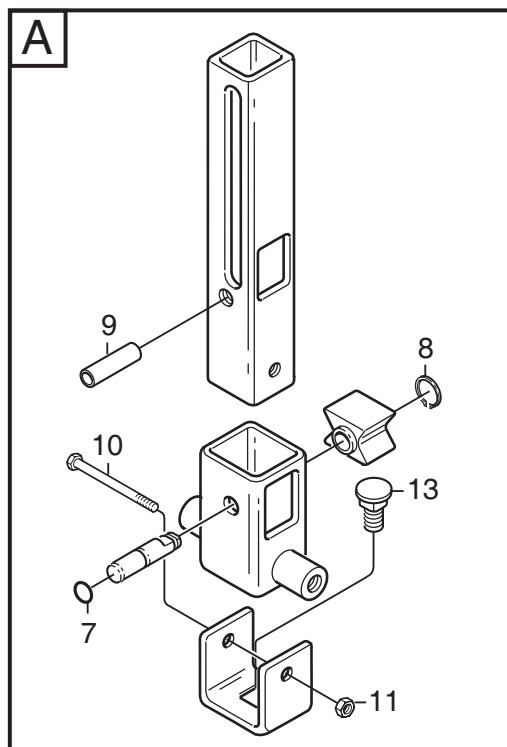
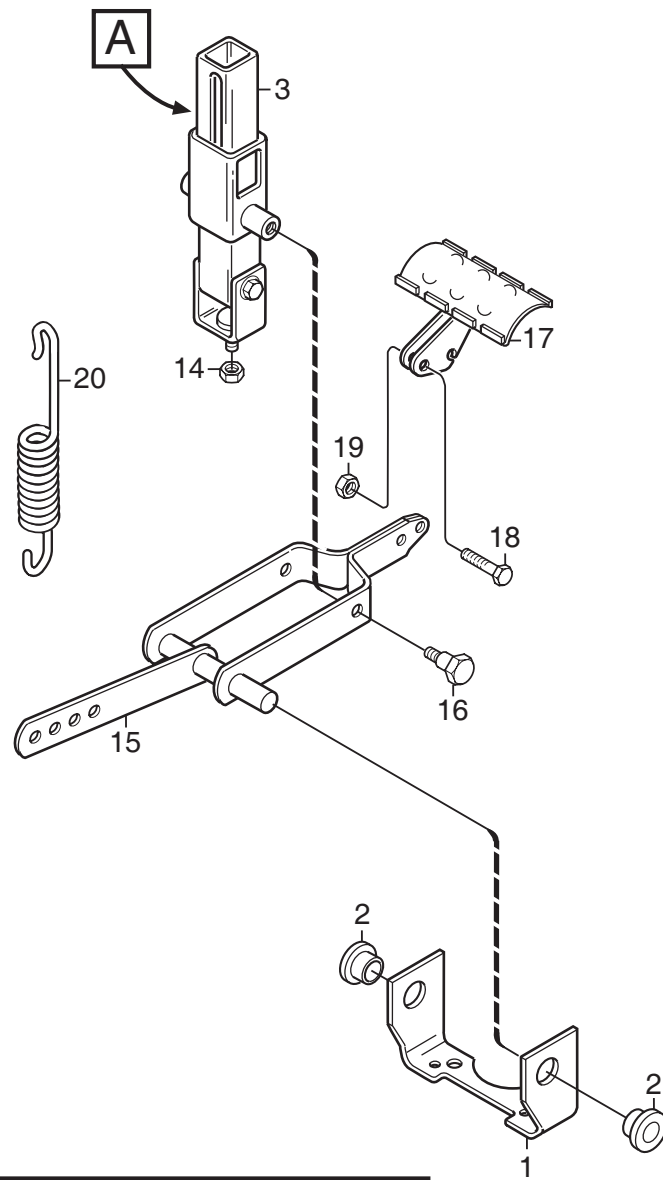
Utgåva Issue 2009-31		Bildnr Picture No C200		XKH4 165HD KAROSS- BAK		XKH4 165HD BODY WORK- REAR		Sida Page 138	
Pos. Fig.	Antal/Quantity				Art nr Part No	Benämning	Description	Sats Kit	Anmärkning Notes
	6197 -85								
1	1				1134-6025-02	Motorhuv.....	Engine hood .....		
2	4				9893-0616-16	Skruv .....	Screw .....		
3	1				1134-2143-01	Gummistropp .....	Rubber strap .....		
4	1				9632-0513-00	Popnit .....	Pop rivet .....		
5	1				9699-0120-02	Bricka .....	Washer .....		
6	1				1134-6026-02	Motorlucka .....	Engine cover .....		
7	1				1134-6027-03	Ändavslut- vä .....	Bumper end- LH .....		
8	1				1134-6027-04	Ändavslut- hö .....	Bumper end- RH .....		
9	4				1134-6310-01	Clips .....	Clips .....		
19	1				1134-6241-01	Huvstöd .....	Hood support .....		
20	3				9893-0616-16	Skruv .....	Screw .....		



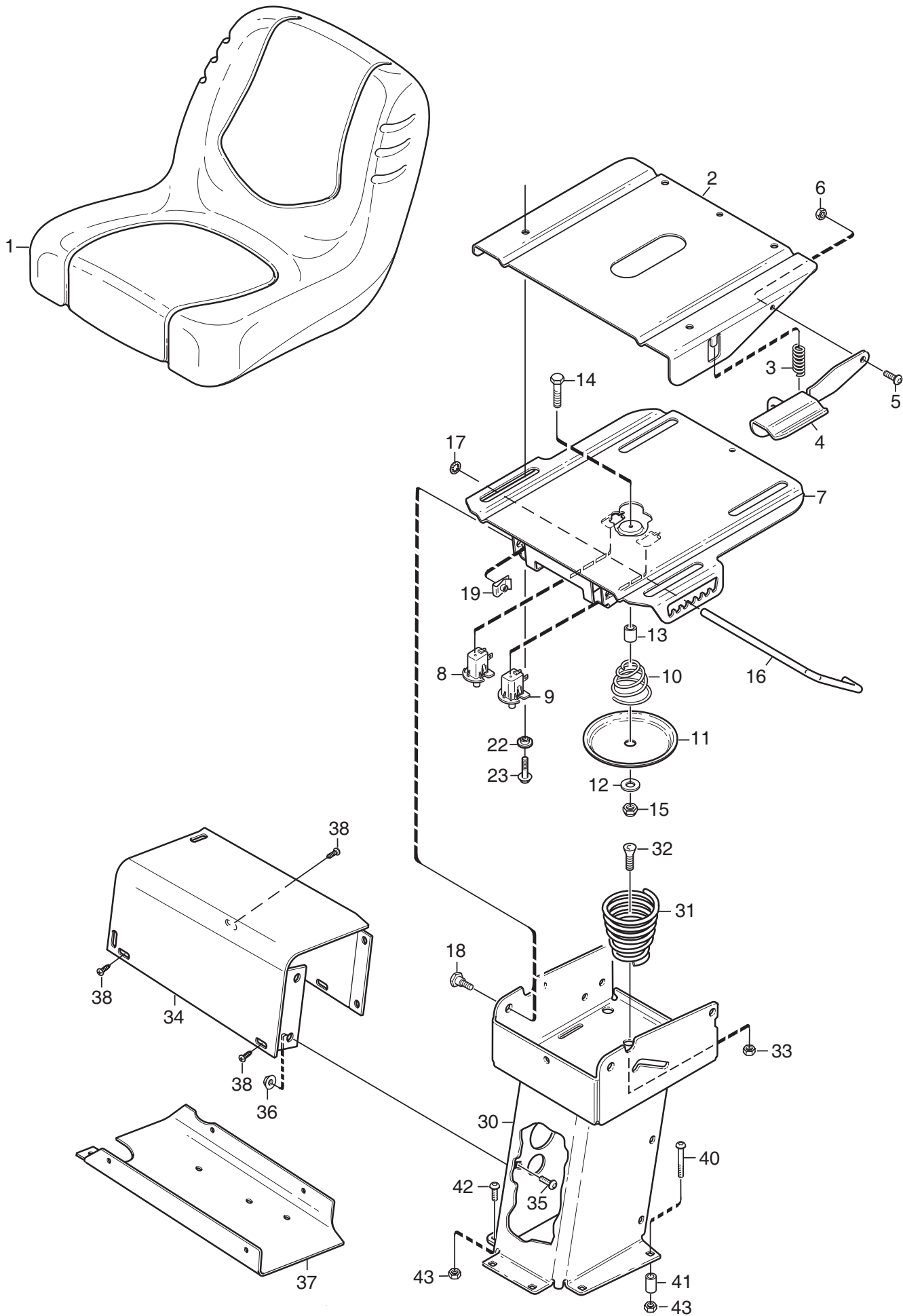
2033A



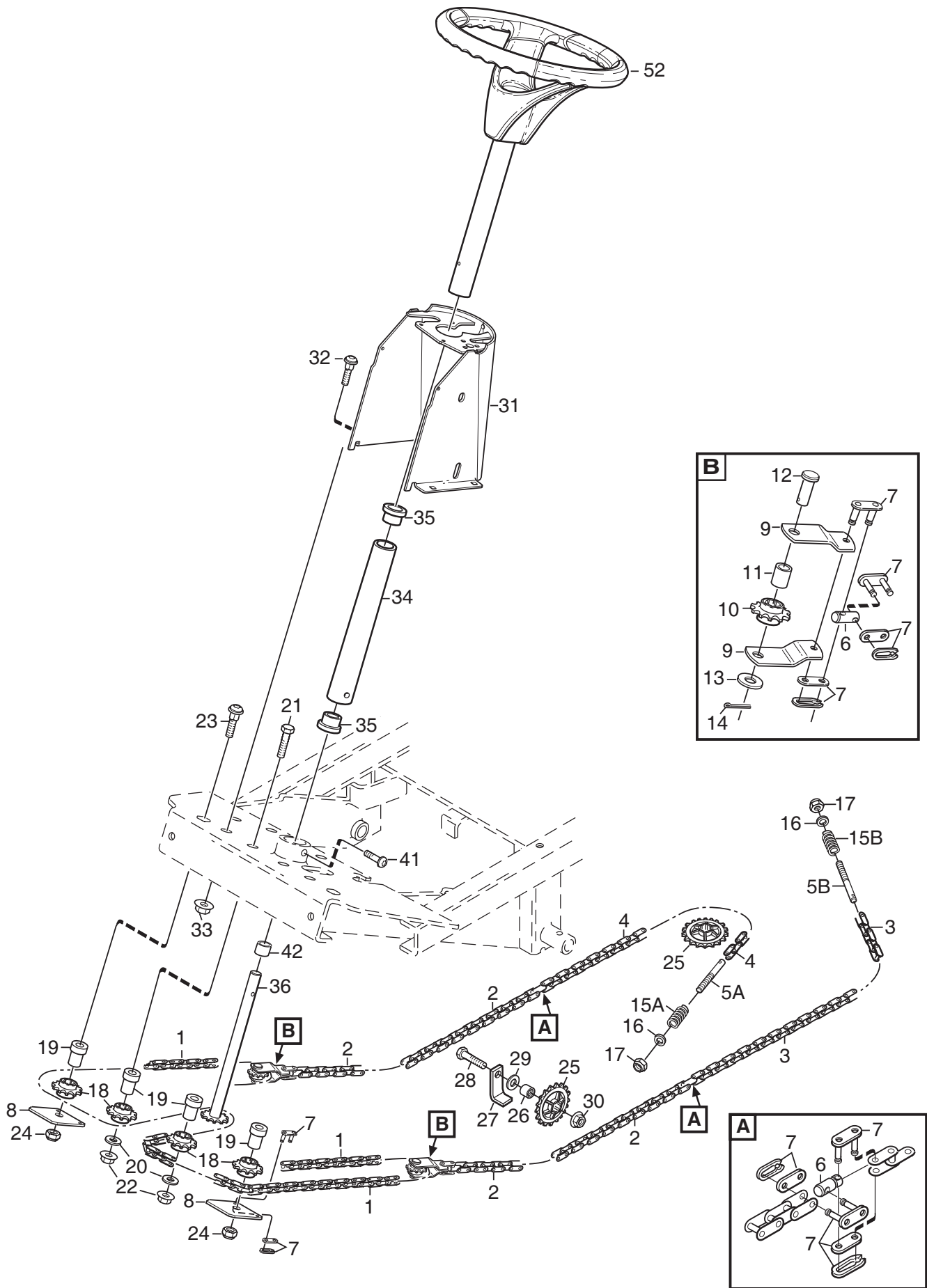
Utgåva Issue		Bildnr Picture No		XKH4 165HD RAM		XKH4 165HD FRAME		Sida Page	
2009-31		2033A						140	
Pos. Fig.	Antal/Quantity				Art nr Part No	Benämning	Description	Sats Kit	Anmärkning Notes
	6197 -85								
1	1				1134-5656-02 Ram- främre .....	Frame- front .....			
2	1				1134-3963-02 • Midjegaffel .....	• Clevis .....			
3	1				1134-0031-00 • Ledaxelstopp .....	• Pivot shaft stop .....			
4	1				9595-0262-00 • Spännstift .....	• Locating pin .....			
5	2				9501-0500-00 • Smörjnippel .....	• Grease joint .....			
7	1				1134-6466-01 Ram- bakre .....	Frame- rear .....			
8	1				1134-5705-01 • Distans .....	• Spacer .....			
9	2				9547-0001-00 • Ledlager .....	• Bearing .....			
10	2				9501-0500-00 • Smörjnippel .....	• Grease joint .....			
11	1				1134-5988-01 Centrumaxel .....	Centre shaft .....			
13	2				9699-0035-02 Planbricka .....	Flat washer .....			
14	2				9959-1025-16 Skruv .....	Screw .....			
15	2				9403-0048-70 Täckpropp .....	Plug .....			
16	1				1134-6586-01 Durk .....	Floor plate .....			
17	1				1134-6372-04 Durkmatta .....	Floor mat .....			
18	2				9893-0616-16 Skruv .....	Screw .....			
19	1				1134-5944-01 Tankhylla .....	Tank shelf .....			
20	2				9945-0816-16 Skruv .....	Screw .....			
21	2				9959-0820-16 Skruv .....	Screw .....			
22	2				9739-0831-22 Mutter .....	Nut .....			
24	1				1134-5676-01 Stötfångare .....	Bumper .....			
25	2				1134-4100-01 Täckpropp .....	Plug .....			
26	2				1134-0240-00 Ansattsskruv .....	Shoulder screw .....			
27	2				1134-4242-01 Distansbricka .....	Spacer washer .....			
28	2				9665-0002-00 Brickfjäder .....	Bowed washer .....			
29	2				9747-0831-02 Mutter .....	Lock nut .....			
30	2				9943-0516-16 Skruv .....	Screw .....			



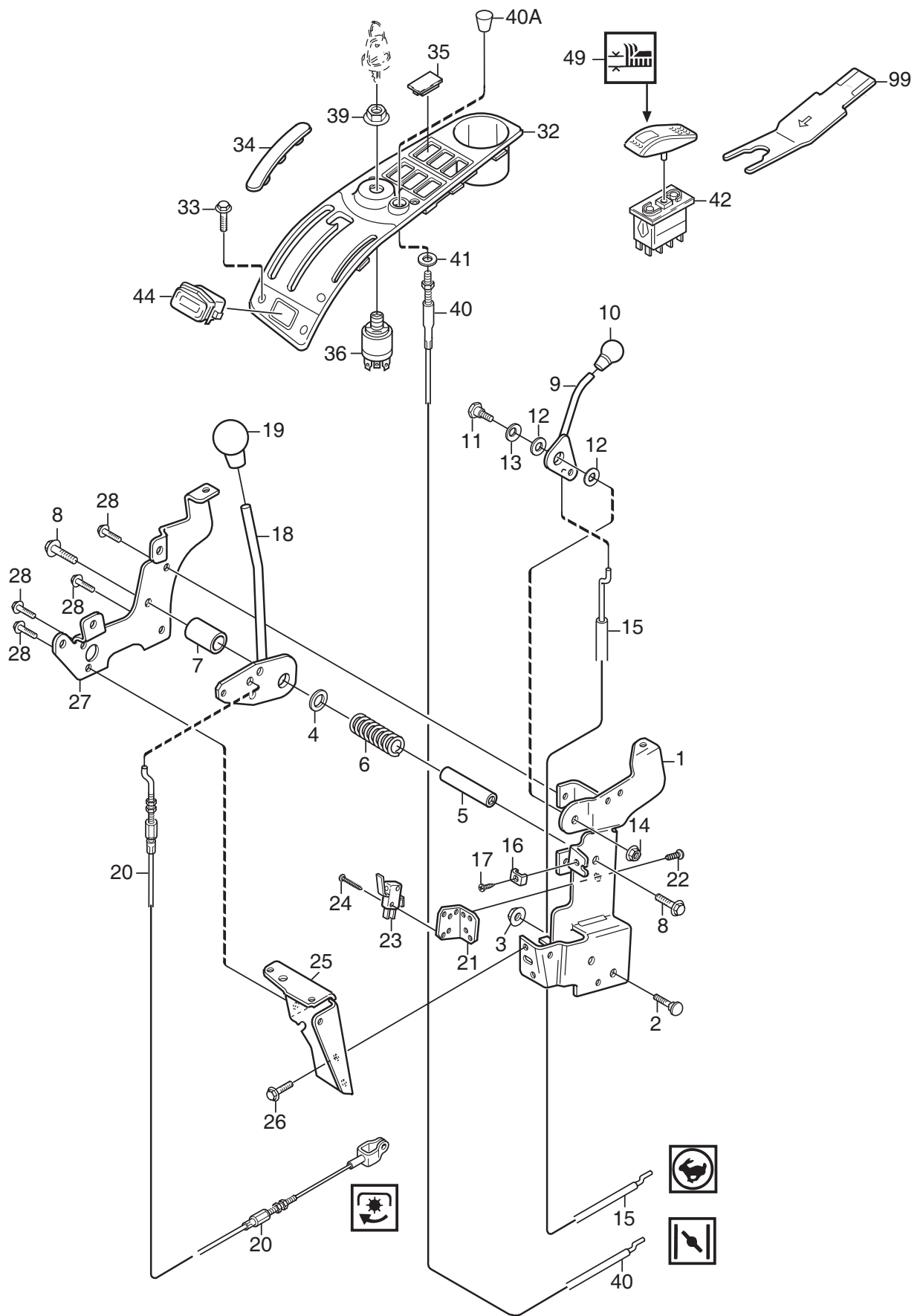
Utgåva Issue		Bildnr Picture No		XKH4 165HD PEDALLYFT		XKH4 165HD PEDAL LIFT		Sida Page	
2009-31		1023D						142	
Pos. Fig.	Antal/Quantity				Art nr Part No	Benämning	Description	Sats Kit	Anmärkning Notes
	6197 -85								
1	1				1134-4117-01 Fäste .....	Bracket .....			
2	2				1134-2684-01 Lager .....	Bearing .....			
3	1				1134-4945-01 Lyftspärr kpl .....	Lift catch assy .....			
7	1				9404-0027-01 • O-ring .....	• O-ring .....			
8	1				9650-0039-04 • Seegersäkring .....	• Lock ring .....			
9	1				9595-0276-01 • Spännstift .....	• Locating pin .....			
10	1				9997-0640-12 • Skruv .....	• Screw .....			
11	1				9747-0631-02 • Låsmutter .....	• Lock nut .....			
13	1				9897-0820-16 • Skruv .....	• Screw .....			
14	1				9747-0831-02 Mutter .....	Lock nut .....			
15	1				1134-4860-01 Lyftgaffel .....	Lift fork .....			
16	2				1134-0240-00 Ansatsskruv .....	Shoulder screw .....			
17	1				1134-4938-01 Lyftpedal .....	Lift pedal .....			
18	2				9997-0625-16 Skruv .....	Screw .....			
19	2				9739-0631-22 Mutter .....	Nut .....			
20	1				4231-0013-00 Fjäder .....	Spring .....			



Utgåva Issue		Bildnr Picture No		XKH4 165HD SITS		XKH4 165HD SEAT		Sida Page	
2009-31		C201						144	
Pos. Fig.	Antal/Quantity				Art nr Part No	Benämning	Description	Sats Kit	Anmärkning Notes
	6197 -85								
1	1				1134-5534-01 Sits .....	Seat .....			
2	1				1134-6090-01 Glidplatta .....	Slide plate .....			
3	1				1134-3262-01 Tryckfjäder .....	Compression spring .....			
4	1				1134-6073-01 Handtag .....	Handle .....			
5	1				9893-0616-16 Skruv .....	Screw .....			
6	1				9747-0631-02 Låsmutter .....	Lock nut .....			
7	1				1134-6068-01 Glidplatta- undre .....	Slide plate- lower .....			
8	1				1134-3156-01 Brytare (svart) .....	Switch (black) .....			
9	1				1134-3156-02 Brytare (grå) .....	Switch (grey) .....			
10	1				1134-5302-01 Fjäder .....	Spring .....			
11	1				1134-5299-01 Tryckplatta .....	Push plate .....			
12	1				9699-0090-02 Planbricka .....	Flat washer .....			
13	1				1134-1565-06 Distans .....	Spacer .....			
14	1				9997-0840-16 Skruv .....	Screw .....			
15	1				9747-0831-02 Mutter .....	Lock nut .....			
16	1				1134-5179-01 Spärr .....	Catch .....			
17	1				9675-0012-02 Starlock .....	Locking washer .....			
18	2				1134-0240-00 Ansatsskruv .....	Shoulder screw .....			
19	2				1134-4620-01 Fjädermutter .....	Spring nut .....			
22	4				1134-6078-01 Ansatsbricka .....	Flange washer .....			
23	4				9959-0820-16 Skruv .....	Screw .....			
30	1				1134-5698-01 Sitskonsol .....	Seat bracket .....			
31	1				1134-4256-01 Sitsfjäder .....	Seat spring .....			
32	1				9924-1235-19 Skruv .....	Screw .....			
33	1				9747-1231-02 Låsmutter .....	Lock nut .....			
34	1				1134-3990-01 Armsvep .....	Attachment- side panel .....			
35	2				9897-0820-16 Skruv .....	Screw .....			
36	2				9739-0831-22 Mutter .....	Nut .....			
37	1				1134-4130-06 Lock- undre .....	Cover- lower .....			
38	4				9840-8019-16 Skruv .....	Screw .....			
40	2				9897-0880-12 Skruv .....	Screw .....			
41	2				1134-1565-08 Distans .....	Spacer .....			
42	4				9897-0820-16 Skruv .....	Screw .....			
43	6				9747-0831-02 Mutter .....	Lock nut .....			

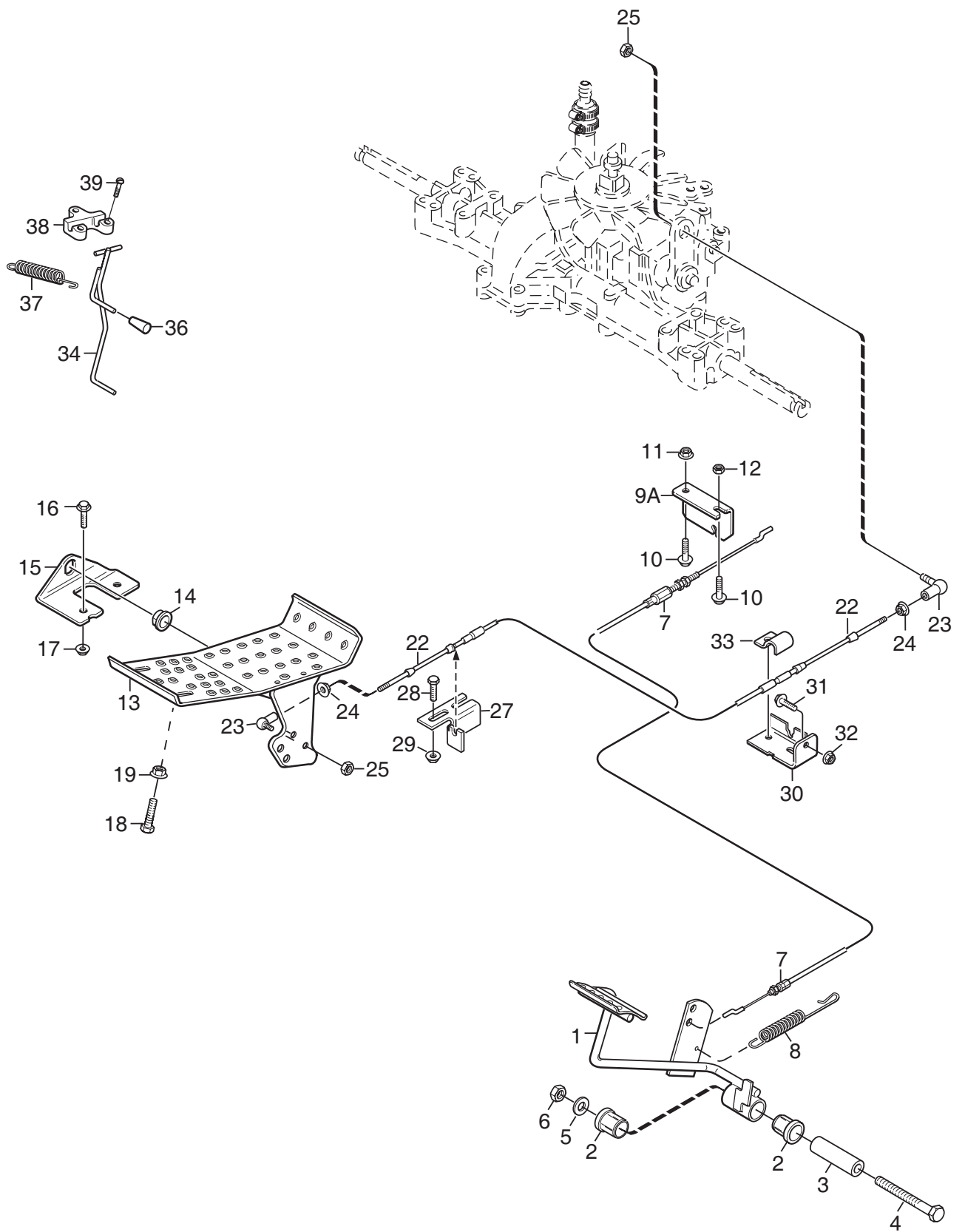


Utgåva Issue		Bildnr Picture No		XKH4 165HD STYRNING		XKH4 165HD STEERING		Sida Page	
2009-31		C202						146	
Pos. Fig.	Antal/Quantity				Art nr Part No	Benämning	Description	Sats Kit	Anmärkning Notes
	6197 -85								
1	1				1134-6374-10 Kedja .....	Chain .....		129 länk	
2	2				1134-6374-09 Kedja .....	Chain .....		35 länk	
3	1				1134-6374-02 Kedja .....	Chain .....		41 länk	
4	1				1134-6374-05 Kedja .....	Chain .....		47 länk	
5A	1				1134-3550-01 Ändnippel .....	End nipple .....		L = 110 mm	
5B	1				1134-3550-02 Ändnippel .....	End nipple .....		L = 90 mm	
6	4				1134-3565-01 Skarvnippel .....	Connection nipple .....			
7	12				1134-2824-02 Kedjelås .....	Chain lock .....			
8	2				1134-5652-01 Fäste .....	Attachment .....			
9	4				1134-5651-01 Bygel .....	Bracket .....			
10	2				1134-2816-01 Kedjehjul .....	Sprocket .....			
11	2				1134-0041-02 Linhjulshylsa .....	Idler wheel bush .....			
12	2				1134-4817-01 Kolvstångssprint .....	Pin .....			
13	2				9699-0035-02 Planbricka .....	Flat washer .....			
14	2				9599-0054-02 Saxpinne .....	Cotter pin .....			
15A	1				1134-3817-01 Tryckfjäder .....	Compression spring .....		L = 58 mm	
15B	1				1134-3817-02 Tryckfjäder .....	Compression spring .....		L = 33 mm	
16	2				9699-0090-02 Planbricka .....	Flat washer .....			
17	2				9747-0831-02 Mutter .....	Lock nut .....			
18	4				1134-2816-01 Kedjehjul .....	Sprocket .....			
19	4				1134-5653-01 Distans .....	Spacer .....			
20	2				9699-0035-02 Planbricka .....	Flat washer .....			
21	2				9997-1060-12 Skruv .....	Screw .....			
22	2				9739-1031-22 Mutter .....	Nut .....			
23	2				9897-1060-12 Skruv .....	Screw .....			
24	2				9731-1031-22 Mutter .....	Nut .....			
25	3				1134-3547-01 Kedjehjul .....	Sprocket .....			
26	2				1134-0041-01 Linhjulshylsa .....	Bushing .....			
27	2				1134-0046-00 Linhållare .....	Wire clamp .....			
28	2				9997-1040-16 Skruv .....	Screw .....			
29	2				9699-0035-02 Planbricka .....	Flat washer .....			
30	2				9739-1031-22 Mutter .....	Nut .....			
31	1				1134-5349-05 Styrkonsol .....	Steering console .....			
32	4				9897-0820-16 Skruv .....	Screw .....			
33	4				9739-0831-22 Mutter .....	Nut .....			
34	1				1134-1305-05 Rattrör- nedre .....	Steering column- lower .....			
35	2				1134-1901-01 Lager .....	Bearing .....			
36	1				1134-2821-05 Rattstång .....	Steering rod .....			
41	2				9893-0616-16 Skruv .....	Screw .....			
42	1				1134-2837-03 Distans .....	Spacer .....			
52	1				1134-5496-01 Ratt .....	Steering wheel .....			

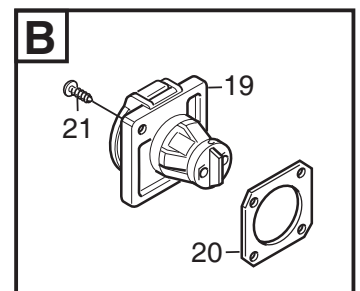
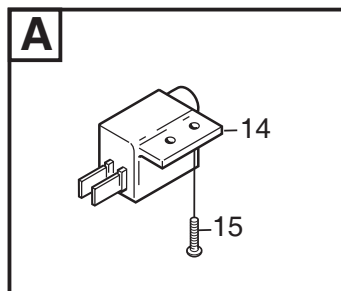
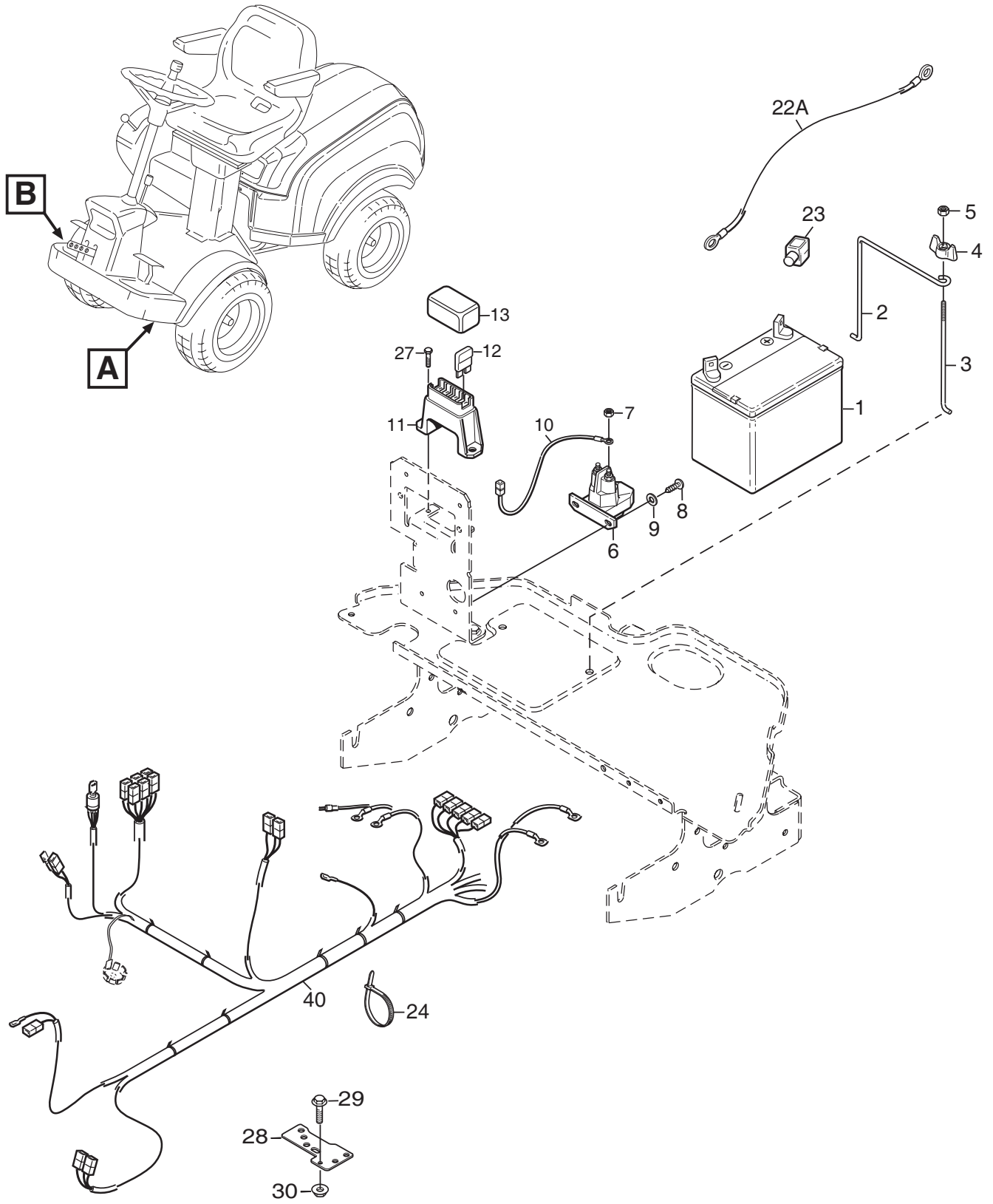




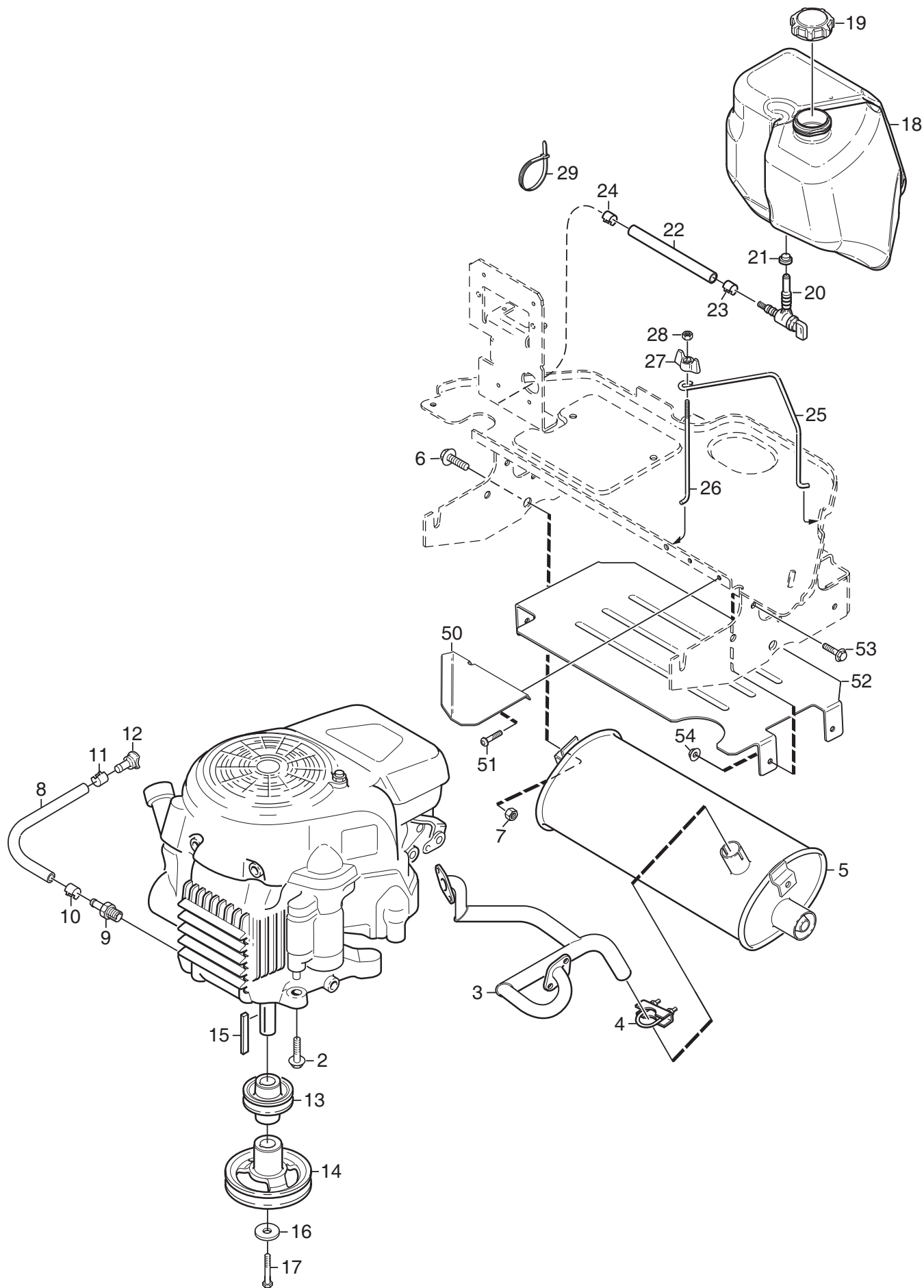
Utgåva Issue		Bildnr Picture No		XKH4 165HD HANDREGLAGE		XKH4 165HD HAND CONTROLS		Sida Page	
2009-31		1991F						148	
Pos. Fig.	Antal/Quantity				Art nr Part No	Benämning	Description	Sats Kit	Anmärkning Notes
	6197 -85								
1	1				1134-4156-01 Vinkelhållare .....	Panel bracket- inner .....			
2	2				9897-0820-16 Skruv .....	Screw .....			
3	2				9739-0831-22 Mutter .....	Nut .....			
4	1				9695-0011-00 Bricka .....	Washer .....			
5	1				1134-4065-01 Reglageaxel .....	Control shaft .....			
6	1				1134-4079-01 Fjäder .....	Spring .....			
7	1				1134-4080-03 Reglagehylsa .....	Control sleeve .....			
8	2				9959-0820-16 Skruv .....	Screw .....			
9	1				1134-4077-01 Gasreglage .....	Throttle control .....			
10	1				1134-4078-01 Knopp .....	Knob .....			
11	1				1134-0240-00 Ansattsskruv .....	Shoulder screw .....			
12	2				1134-4242-01 Distansbricka .....	Spacer washer .....			
13	1				9694-0001-00 Fjäderbricka .....	Washer .....			
14	1				9747-0831-02 Mutter .....	Lock nut .....			
15	1				1134-4195-04 Gaswire .....	Throttle cable .....			L1 = 1070 mm
16	1				9500-9991-00 Wireklämma .....	Cable clamp .....			
17	1				9943-0516-16 Skruv .....	Screw .....			
18	1				1134-4072-01 Aggregatpak .....	Control lever .....			
19	1				1134-2551-01 Reglageknopp .....	Knob .....			
20	1				1134-3573-03 Wire .....	PTO cable .....			
21	1				1134-5358-01 Brytarfäste .....	Switch bracket .....			
22	2				9852-8013-16 Skruv .....	Screw .....			
23	1				9400-0285-01 Microbrytare .....	Switch .....			
24	2				9840-7716-16 Skruv .....	Screw .....			L = 16 mm
25	1				1134-6328-01 Frontfäste .....	Panel bracket- front .....			
26	2				9893-0616-16 Skruv .....	Screw .....			
27	1				1134-6327-01 Frontplåt .....	Front plate .....			
28	4				9893-0616-16 Skruv .....	Screw .....			
32	1				1134-6096-02 Kassett .....	Dashboard .....			
33	4				9946-0525-16 Skruv .....	Screw .....			
34	1				1134-4154-01 Täckbricka .....	Cover .....			
35	5				1134-4129-01 Täckbricka .....	Cover .....			
36	1				1134-4093-01 Tändningslås .....	Ignition switch .....			
39	1				1134-4749-01 Mutter .....	Nut .....			
40	1				1134-2872-05 Chokereglage .....	Choke control .....			
40A	1				1134-4338-01 - Reglageknopp .....	- Control knob .....			
41	1				9699-0090-02 Planbricka .....	Flat washer .....			
42	1				9400-0282-01 Brytare m.diod .....	Switch w.diode .....			
44	1				1134-6097-01 Timräknare .....	Hour meter .....			
49	1				9400-0280-03 Vippa- höjdställning .....	Cover- height adjust .....			
99	1				9400-0290-01 Verktyg f.vippa .....	Tool for cover .....			Tillbehör/Accessory



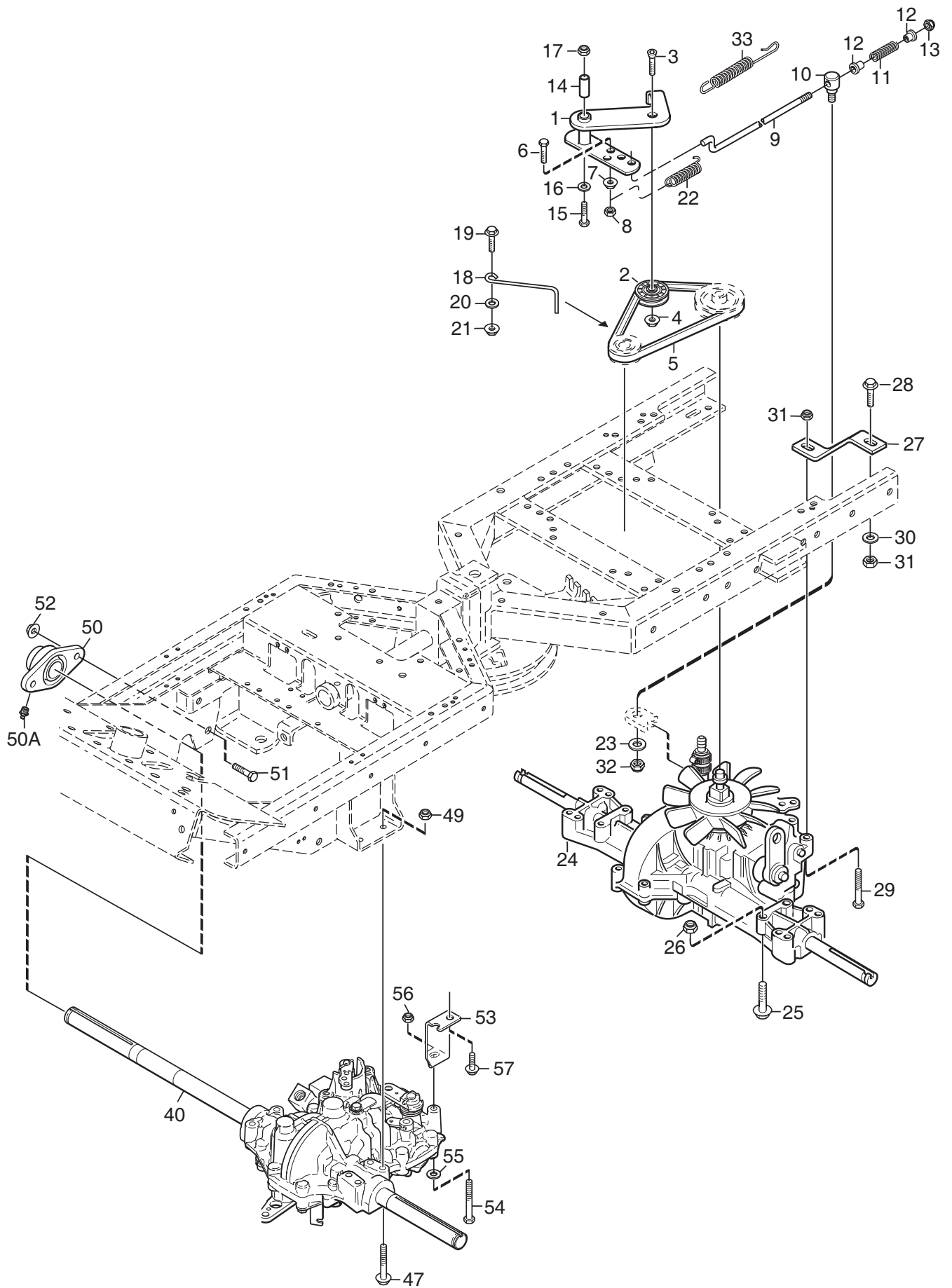
Utgåva Issue 2009-31		Bildnr Picture No C203		XKH4 165HD FOTREGLAGE		XKH4 165HD FOOT CONTROLS		Sida Page 150	
Pos. Fig.	Antal/Quantity				Art nr Part No	Benämning	Description	Sats Kit	Anmärkning Notes
	6197 -85								
1	1				1134-5655-01	Broms/kopplingspedal.....	Brake/clutch pedal.....		
2	2				1134-0068-00	Lager.....	Bearing.....		
3	1				1134-5677-02	Distans.....	Spacer.....		
4	1				9997-1070-12	Skruv.....	Screw.....		
5	1				9699-0030-02	Planbricka.....	Flat washer.....		
6	1				9739-1031-22	Mutter.....	Nut.....		
7	1				1134-6005-01	Wire.....	Cable.....		
8	1				4231-0013-00	Fjäder.....	Spring.....		
9A	1				1134-6467-01	Wirefäste.....	Cable holder.....		
10	2				9959-0820-16	Skruv.....	Screw.....		
11	1				9739-0831-22	Mutter.....	Nut.....		
12	1				9747-0831-02	Mutter.....	Lock nut.....		
13	1				1134-6353-01	Drivpedal.....	Drive pedal.....		
14	2				1134-6313-01	Lager.....	Bearing.....		
15	2				1134-2700-01	Fäste.....	Bracket.....		
16	2				9959-0820-16	Skruv.....	Screw.....		
17	2				9739-0831-22	Mutter.....	Nut.....		
18	1				9997-0835-16	Skruv.....	Screw.....		
19	1				9739-0831-22	Mutter.....	Nut.....		
22	1				1134-2766-05	Reglagewire.....	Speed control cable.....		
23	2				9570-0001-00	Vinkellänk.....	Elbow link.....		
24	2				9739-0531-22	Mutter.....	Nut.....		
25	2				9747-0531-02	Mutter.....	Nut.....		
27	1				1134-6317-01	Wirefäste.....	Cable holder.....		
28	2				9959-0620-16	Skruv.....	Screw.....		
29	2				9739-0631-22	Mutter.....	Nut.....		
30	1				1134-3395-01	Fäste.....	Attachment.....		
31	2				9959-0820-16	Skruv.....	Screw.....		
32	2				9739-0831-22	Mutter.....	Nut.....		
33	1				1134-2021-01	Växelwirefäste.....	Clamp.....		
34	1				1134-5353-01	Bromsstång.....	Brake rod.....		
36	1				1134-2786-01	Knopp.....	Knob.....		
37	1				1131-1497-01	Fjäder.....	Spring.....		
38	1				1134-4002-01	Fäste.....	Brake rod attachment.....		
39	3				9838-9516-12	Skruv.....	Screw.....		



Utgåva Issue 2009-31		Bildnr Picture No C204		XKH4 165HD ELUTRUSTNING		XKH4 165HD EL. EQUIPMENT		Sida Page 152	
Pos. Fig.	Antal/Quantity				Art nr Part No	Benämning	Description	Sats Kit	Anmärkning Notes
	6197 -85								
1	1				1134-5751-01	Batteri .....	Battery .....		
2	1				1134-5994-01	Batteribygel .....	Battery loop.....		
3	1				1134-5995-01	Batteribygel .....	Battery loop.....		
4	1				1134-4481-02	Vingmutter .....	Wing nut .....		
5	1				9747-0631-02	Låsmutter .....	Lock nut .....		
6	1				1134-3901-01	Solenoid kpl .....	Solenoid assy.....		
7	2				9794-5131-02	• Mutter .....	• Nut .....		
8	2				9852-8013-16	Skruv .....	Screw .....		
9	2				9699-0060-02	Planbricka.....	Flat washer.....		
10	1				1134-4970-02	Kabel- röd .....	Cable- red.....		
11	1				1134-3491-01	Säkringshållare .....	Fuse holder .....		
12	1				1134-3496-01	Säkring .....	Fuse .....		10A
12	1				1134-3496-06	Säkring .....	Fuse .....		20A
12	1				1134-3496-07	Säkring .....	Fuse .....		30A
13	1				1134-3631-01	Lock- säkringsdosa.....	Cover- fuse holder.....		
14	1				1134-3399-02	Brytare.....	Switch .....		
15	2				9943-0516-16	Skruv .....	Screw .....		
19	1				1134-7535-01	Honkontakt .....	Female terminal.....		
20	1				1134-4052-01	Stödbricka .....	Support washer.....		
21	2				9840-7716-16	Skruv .....	Screw .....		
22 A	1				1134-0234-02	Batterikabel ( + ).....	Battery cable ( + ).....		
23	1				1134-2310-01	Batteriskydd.....	Guard cap .....		
24	7				9579-0003-00	Buntband .....	Cable holder .....		
27	2				9849-8006-16	Skruv .....	Screw .....		
28	1				1134-6454-01	Jordplåt .....	Ground plate .....		
29	1				9959-0612-16	Skruv .....	Screw .....		
30	1				9739-0631-22	Mutter .....	Nut .....		
40	1				1134-6469-01	Kablage.....	Harness.....		



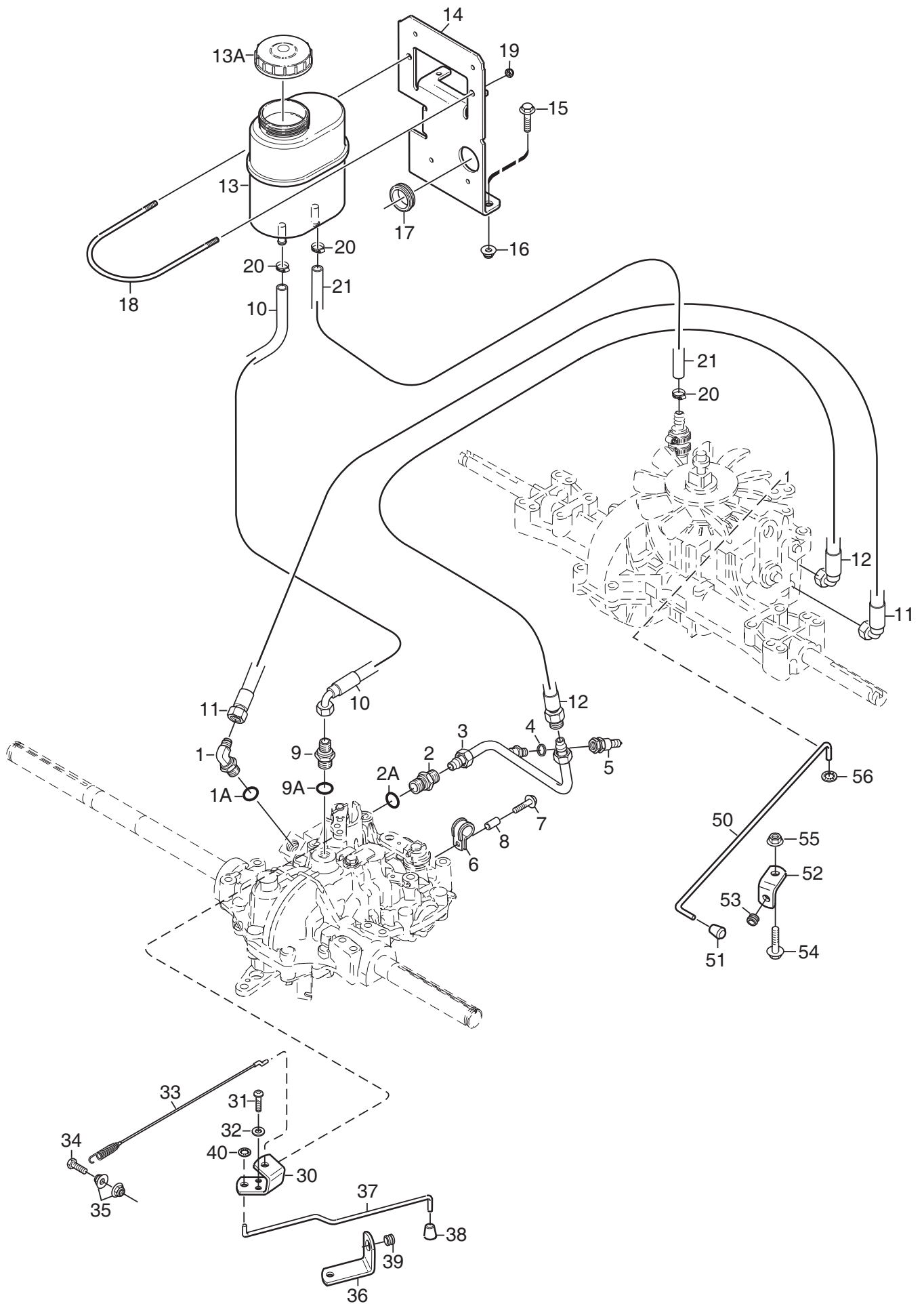
Utgåva Issue 2009-31		Bildnr Picture No 2022		XKH4 165HD MOTOR (Honda)		XKH4 165HD ENGINE (Honda)		Sida Page 154	
Pos. Fig.	Antal/Quantity				Art nr Part No	Benämning	Description	Sats Kit	Anmärkning Notes
	6197 -85								
2	4				9955-3725-16 Skruv.....	Screw.....			
3	1				1134-5947-01 Grenrör.....	Exhaust pipe.....			
4	1				9578-0011-01 Klämna.....	Clamp.....			
5	1				1134-6024-01 Ljuddämpare.....	Muffler.....			
6	1				9959-0820-16 Skruv.....	Screw.....			
7	1				9739-0831-22 Mutter.....	Nut.....			
8	1				1134-5827-01 Oljeavtapning kpl.....	Oil drain assy.....			Inkl. pos 9 - 12
9	1				1134-5825-01 • Nippel.....	• Nipple.....			
10	1				9578-0023-04 • Slangklämna.....	• Hose clamp.....			
11	1				1134-3499-02 • Slangklämna.....	• Hose clamp.....			
12	1				1134-5826-01 • Plugg.....	• Plug.....			
13	1				1134-6137-01 Motorremskiva.....	Engine pulley.....			
14	1				1134-6419-01 Motorremskiva.....	Engine pulley.....			
15	1				9600-0251-01 Kil.....	Key.....			
16	1				1134-5017-01 Bricka.....	Washer.....			
17	1				9987-5332-16 Skruv.....	Screw.....			
18	1				1134-5938-01 Bränsletank.....	Fuel tank.....			
19	1				1134-5532-01 Tanklock.....	Fuel tank cap.....			
20	1				1134-3224-01 Bensinkran.....	Fuel shut-off valve.....			
21	1				1134-3225-01 Gummibussning.....	Grommet.....			
22	1				1134-2975-13 Bensinslang.....	Fuel hose.....			L = 1100
23	1				9578-0023-02 Slangklämna.....	Hose clamp.....			
24	1				9578-0023-02 Slangklämna.....	Hose clamp.....			
25	1				1134-5942-01 Tankbygel.....	Tank loop.....			
26	1				1134-5996-01 Tankbygel.....	Tank loop.....			
27	1				1134-4481-02 Vingmutter.....	Wing nut.....			
28	1				9747-0631-02 Låsmutter.....	Lock nut.....			
29	1				9579-0003-00 Buntband.....	Cable holder.....			
30	1				9893-0616-16 Skruv.....	Screw.....			
50	1				1134-6234-01 Deflektor.....	Heat deflector.....			
51	2				9943-0516-16 Skruv.....	Screw.....			
52	1				1134-6251-01 Deflektor.....	Heat deflector.....			
53	4				9959-0612-16 Skruv.....	Screw.....			
54	4				9739-0631-22 Mutter.....	Nut.....			



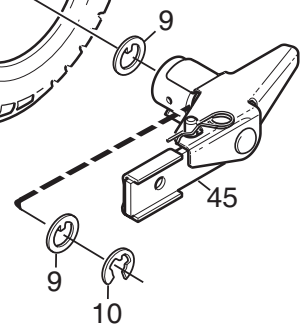
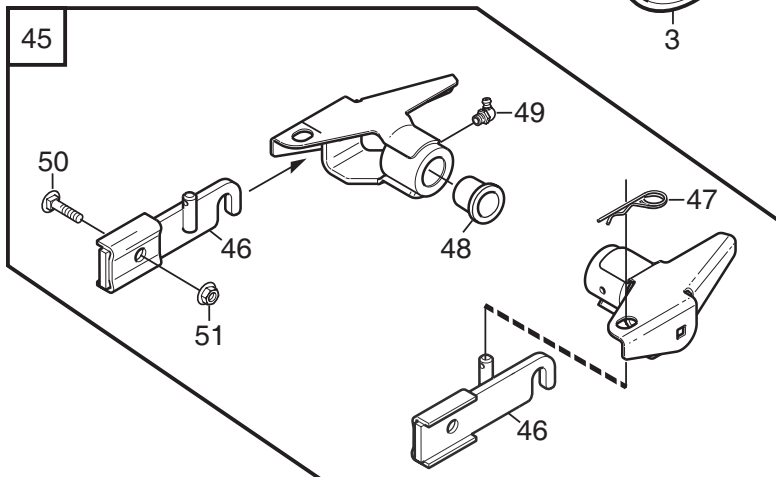
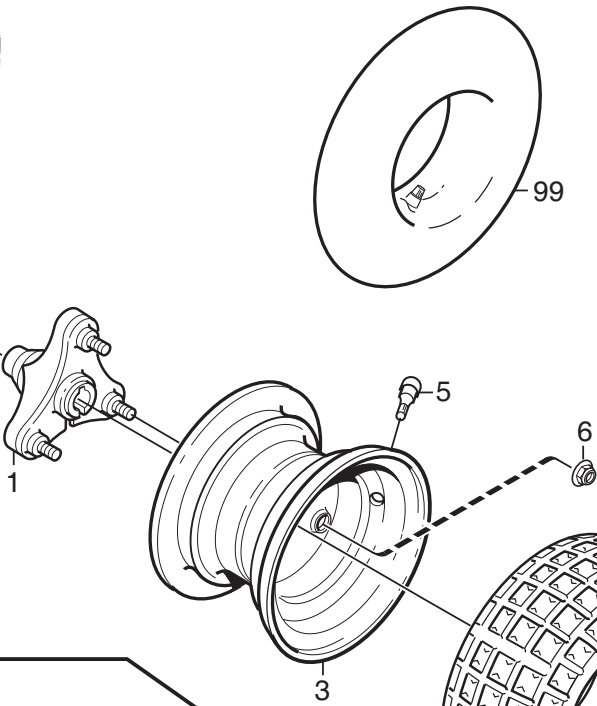
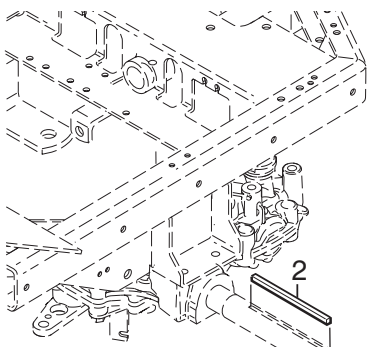
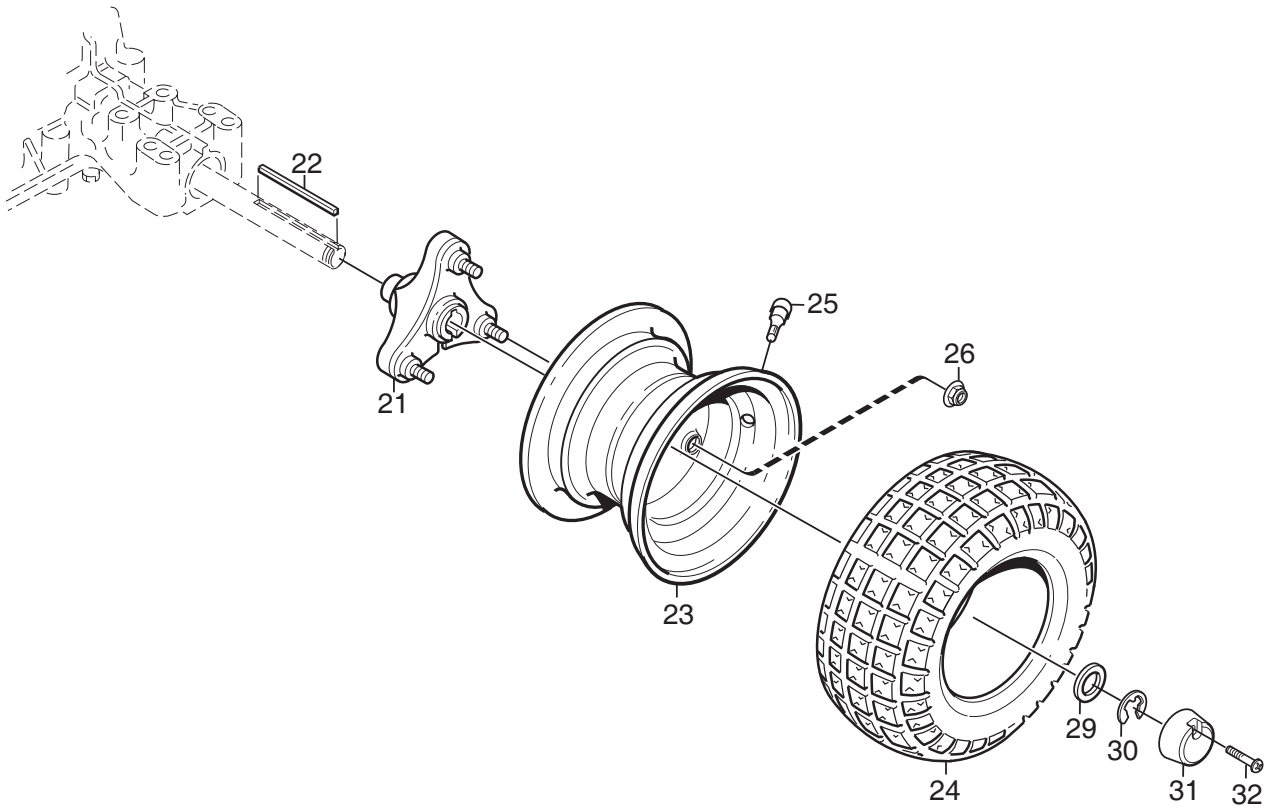
C154A



Utgåva Issue 2009-31		Bildnr Picture No C154A		XKH4 165HD TRANSMISSION (mek)		XKH4 165HD TRANSMISSION (mech)		Sida Page 156	
Pos. Fig.	Antal/Quantity				Art nr Part No	Benämning	Description	Sats Kit	Anmärkning Notes
	6197 -85								
1	1				1134-4000-02	Spännarm .....	Tension arm .....		
2	1				1134-3459-01	Spännrulle .....	Tension roller .....		
3	1				9924-1035-16	Skruv .....	Screw .....		
4	1				9799-1031-02	Mutter .....	Nut .....		
5	1				9585-0091-01	Drivrem .....	V- belt.....		
6	1				9997-0625-16	Skruv .....	Screw .....		
7	1				9739-0631-22	Mutter .....	Nut .....		
8	1				9747-0631-02	Låsmutter .....	Lock nut .....		
9	1				1134-3377-02	Reglagestång .....	Control rod.....		
10	1				1134-4171-01	Ledtapp .....	Pivot pin .....		
11	1				1134-4183-01	Tryckfjäder .....	Compression spring.....		
12	2				1134-3456-01	Bussning .....	Bushing.....		
13	1				9747-0631-02	Låsmutter .....	Lock nut .....		
14	1				1134-1565-08	Distans .....	Spacer .....		
15	1				9997-0870-16	Skruv .....	Screw .....		
16	1				9699-0056-02	Planbricka.....	Flat washer.....		
17	1				9747-0831-02	Mutter .....	Lock nut .....		
18	1				1134-3289-02	Remstyrning .....	Belt guide .....		
19	1				9959-0820-16	Skruv .....	Screw .....		
20	1				9699-0056-02	Planbricka.....	Flat washer.....		
21	1				9739-0831-22	Mutter .....	Nut .....		
22	1				1134-6414-01	Fjäder.....	Spring .....		
23	1				9699-0060-02	Planbricka.....	Flat washer.....		
24	1				1134-6394-01	Transaxel kpl.....	Transaxle assy.....		Kanzaki K574G 2- port
25	4				9960-0860-12	Skruv .....	Screw .....		
26	4				9747-0831-02	Mutter .....	Lock nut .....		
27	1				1134-3913-01	Reaktionsstag .....	Strut .....		
28	1				9959-0825-16	Skruv .....	Screw .....		
29	1				9997-0845-12	Skruv .....	Screw .....		
30	1				9699-0090-02	Planbricka.....	Flat washer.....		
31	2				9747-0831-02	Mutter .....	Lock nut .....		
32	1				9747-0631-02	Låsmutter .....	Lock nut .....		
33	1				4231-0013-00	Fjäder.....	Spring .....		
40	1				1134-6029-01	Motoraxel- fram .....	Transaxle- front .....		Kanzaki KTM 10M
47	2				9960-0860-12	Skruv .....	Screw .....		
49	2				9747-0831-02	Mutter .....	Lock nut .....		
50	1				1134-5703-01	Flänslagerenhet .....	Flange bearing.....		
50A	1				9501-0500-00	• Smörjnippel .....	• Grease joint.....		
51	2				9997-1040-16	Skruv .....	Screw .....		
52	2				9731-1031-22	Mutter .....	Nut .....		
53	1				1134-5670-01	Reaktionsstag .....	Strut .....		
54	1				9997-0880-16	Skruv .....	Screw .....		
55	1				9699-0090-02	Planbricka.....	Flat washer.....		
56	1				9747-0831-02	Mutter .....	Lock nut .....		
57	2				9945-0816-16	Skruv .....	Screw .....		

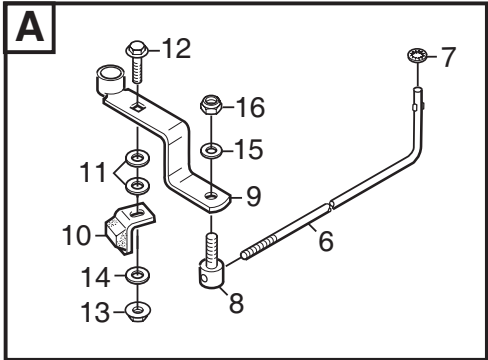
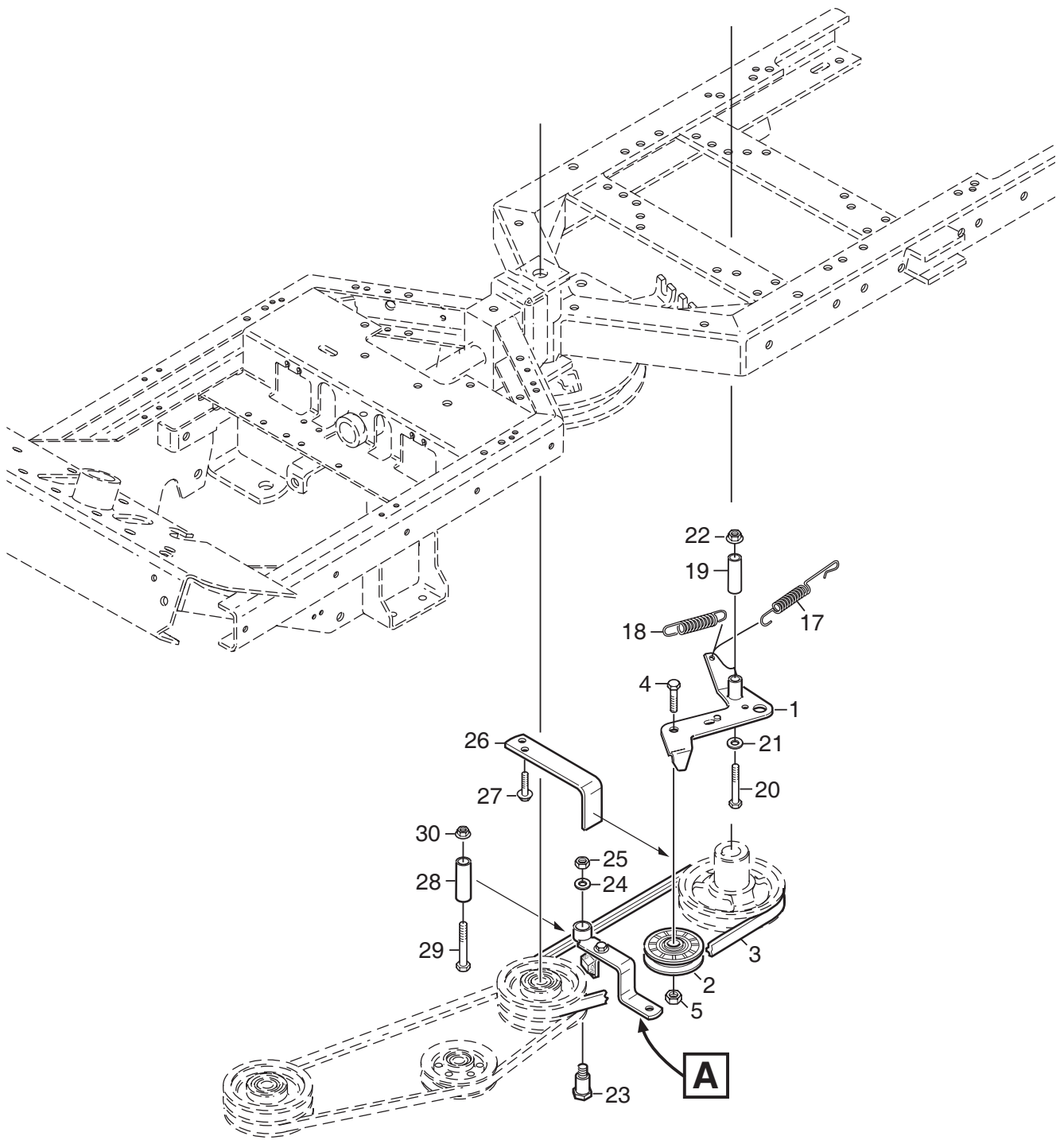


Utgåva Issue		Bildnr Picture No		XKH4 165HD TRANSMISSION (hydr)		XKH4 165HD TRANSMISSION (hydr)		Sida Page	
2009-31		C205						158	
Pos. Fig.	Antal/Quantity				Art nr Part No	Benämning	Description	Sats Kit	Anmärkning Notes
	6197 -85								
1	1				1134-6044-01	Vinkeladapter .....	Angle coupling .....		3/4" x 9/16"
1A	1				9404-0029-01	• O-ring .....	• O-ring .....		
2	1				1134-5875-01	Skäringskoppling .....	Hydraulic coupling .....		3/4"
2A	1				9404-0029-01	• O-ring .....	• O-ring .....		
3	1				1134-6039-01	Hydraulrör .....	Hydraulic pipe .....		
4	1				1134-4948-01	Tredobricka .....	Seal washer .....		1/4"
5	1				1134-6042-01	Snabbkoppling- hane .....	Quick coupling- male .....		
6	1				9578-0028-01	Rörklammer .....	Tube clamp .....		
7	1				9959-0825-16	Skruv .....	Screw .....		
8	1				1134-1565-09	Distans .....	Spacer .....		
9	1				1134-5809-01	Adapter .....	Hydraulic coupling .....		3/4" x 9/16"
9A	1				9404-0029-01	• O-ring .....	• O-ring .....		
10	1				1134-5758-04	Hydraulslang .....	Hydraulic tube .....		
11	1				1134-6048-01	Hydraulslang .....	Hydraulic tube .....		
12	1				1134-6043-01	Hydraulslang .....	Hydraulic tube .....		
13	1				1134-6011-01	Hydraultank .....	Hydraulic oil tank .....		
13A	1				1134-5965-01	• Tanklock .....	• Tank cap .....		
14	1				1134-5941-01	Tankkonsol .....	Tank bracket .....		
15	2				9959-0820-16	Skruv .....	Screw .....		
16	2				9739-0831-22	Mutter .....	Nut .....		
17	1				1134-3203-01	Kabelgenomföring .....	Grommet .....		
18	1				1134-5943-01	Tankbygel .....	Tank loop .....		
19	2				9747-0631-02	Låsmutter .....	Lock nut .....		
20	3				9578-0023-04	Slangklämma .....	Hose clamp .....		
21	1				1134-2779-02	Slang .....	Tube .....		L = 260 mm
30	1				1134-6162-01	Fäste .....	Bracket .....		
31	2				9939-0612-16	Skruv .....	Screw .....		
32	2				9699-0025-02	Planbricka .....	Washer .....		
33	1				1134-6163-01	Wire .....	Cable .....		
34	1				9997-0835-12	Skruv .....	Screw .....		
35	2				9739-0831-22	Mutter .....	Nut .....		
36	1				1134-6084-01	Reglagekonsol .....	Control bracket .....		
37	1				1134-6083-01	Reglagestång .....	Control rod .....		
38	1				1134-4014-01	Plastknopp .....	Plastic button .....		
39	1				1134-2790-01	Gummihylsa .....	Rubber grommet .....		
40	1				9675-0009-02	Starlock .....	Starlock .....		
50	1				1134-4015-01	Dragstång .....	Pull rod .....		
51	1				1134-4014-01	Plastknopp .....	Plastic button .....		
52	1				1134-4713-01	Vinkel .....	Bracket .....		
53	1				1134-2790-01	Gummihylsa .....	Rubber grommet .....		
54	1				9959-0820-16	Skruv .....	Screw .....		
55	1				9739-0831-22	Mutter .....	Nut .....		
56	1				9675-0009-02	Starlock .....	Starlock .....		

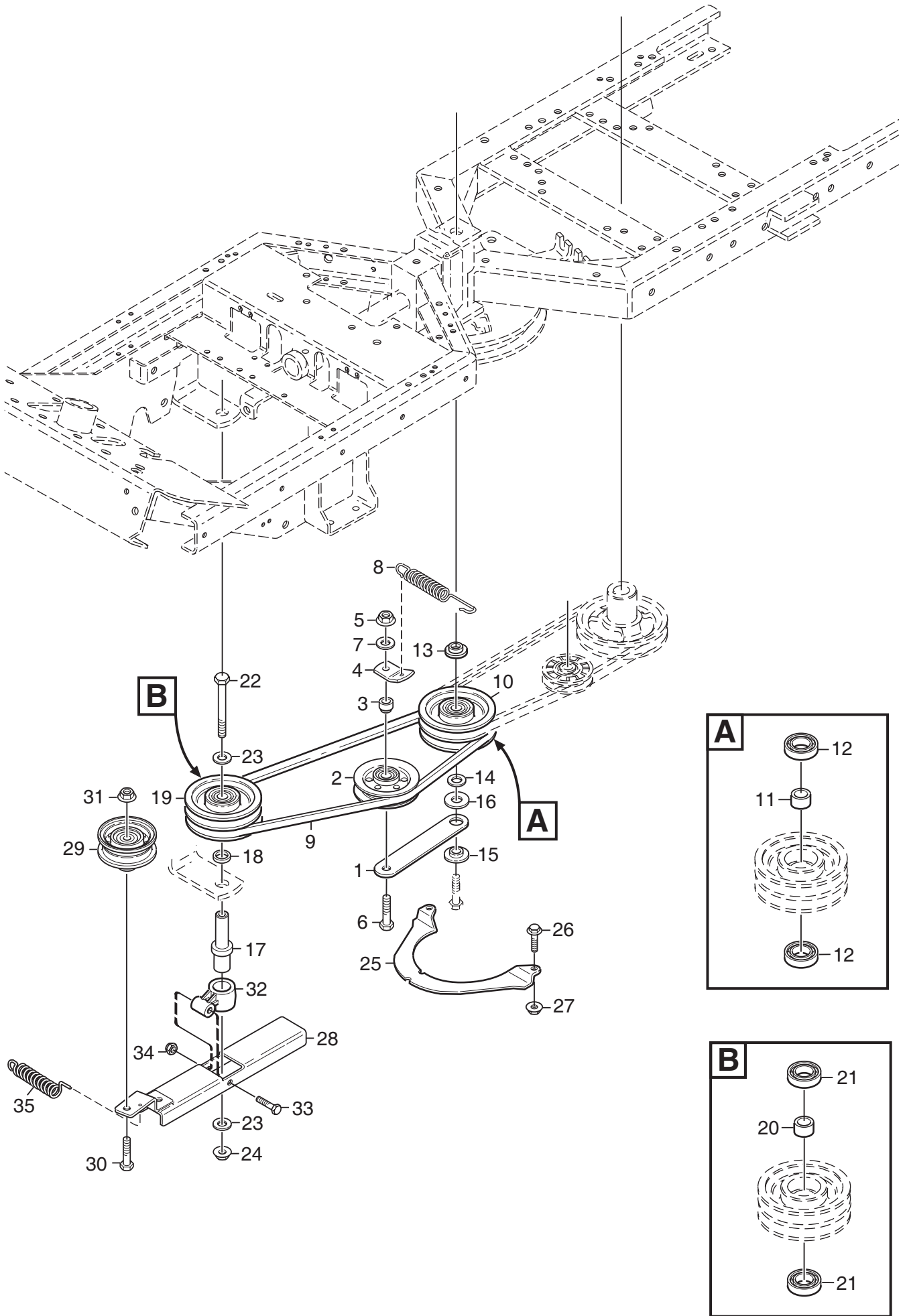


C157A

Utgåva Issue		Bildnr Picture No		XKH4 165HD HJUL 16"		XKH4 165HD WHEELS 16"		Sida Page	
2009-31		C157A						160	
Pos. Fig.	Antal/Quantity				Art nr Part No	Benämning	Description	Sats Kit	Anmärkning Notes
	6197 -85								
1	2				1134-4844-03 Hjulnav .....	Wheel hub .....			
2	2				1134-3383-02 Kil .....	Key .....			
3	2				1134-4558-01 Fälg .....	Rim .....			
4	2				9545-0116-00 Däck .....	Tyre .....			16 x 7.50 - 8
5	2				9545-0500-00 Ventil .....	Valve .....			
6	6				9731-1031-22 Mutter .....	Nut .....			
9	4				1134-5797-01 • Bricka .....	• Washer .....			
10	2				9653-0002-04 • Spärryttare .....	• Lock ring .....			
21	2				1134-4844-02 Hjulnav .....	Wheel hub .....			
22	2				1134-2471-01 Kil .....	Key .....			
23	2				1134-4558-01 Fälg .....	Rim .....			
24	2				9545-0116-00 Däck .....	Tyre .....			16 x 7.50 - 8
25	2				9545-0500-00 Ventil .....	Valve .....			
26	6				9731-1031-22 Mutter .....	Nut .....			
29	2				9699-0042-02 Planbricka .....	Flat washer .....			
30	2				9653-0001-04 Spärryttare .....	Lock ring .....			
31	2				1134-4796-01 Navkapsel .....	Hub cap .....			
32	2				9947-0540-19 Skruv .....	Screw .....			
45	1				13-0993-61 Snabbfäste kpl .....	Quick connections .....			Inkl. pos 9,10,46-51
46	1				1134-7465-01 • Fästen kpl, vä+hö .....	• Attachment kit, LH+RH .....			Inkl. pos 50-51
47	2				9598-2001-02 • Låsnål .....	• Spring pin .....			
48	4				1134-5686-01 • Lagerbussning .....	• Bearing bush .....			
49	2				9501-0502-00 • Smörjnippel .....	• Grease joint .....			
50	2				9898-1035-16 •• Skruv .....	•• Screw .....			
51	2				9739-1031-22 •• Mutter .....	•• Nut .....			
99					9545-0203-00 Innerslang .....	Inner tube .....			Reservdel/spare part



Utgåva Issue		Bildnr Picture No		XKH4 165HD KRAFTUTTAG 1		XKH4 165HD POWER TAKE- OFF 1		Sida Page	
2009-31		C159						162	
Pos. Fig.	Antal/Quantity				Art nr Part No	Benämning	Description	Sats Kit	Anmärkning Notes
	6197 -85								
1	1				1134-2018-02 Spännarm .....	Tension arm .....			
2	1				1134-2989-02 Spännrulle- grå .....	Tension roller- grey .....			
3	1				9585-0129-01 Drivrem .....	V- belt .....			
4	1				9997-1030-16 Skruv .....	Screw .....			
5	1				9799-1031-02 Mutter .....	Nut .....			
6	1				1134-4162-01 Bromsstång .....	Brake rod .....			
7	1				9675-0008-02 Starlock .....	Locking washer .....			
8	1				1134-4170-01 Nippel .....	Nipple .....			
9	1				1134-4111-01 Bromsarm .....	Brake arm .....			
10	1				1134-4164-03 Bromsklots .....	Brake pad .....			
11	2				9699-0035-02 Planbricka .....	Flat washer .....			
12	1				9897-0825-16 Skruv .....	Screw .....			
13	1				9747-0831-02 Mutter .....	Lock nut .....			
14	1				9699-0090-02 Planbricka .....	Flat washer .....			
15	1				9699-0025-02 Planbricka .....	Washer .....			
16	1				9747-0631-02 Låsmutter .....	Lock nut .....			
17	1				4231-0013-00 Fjäder .....	Spring .....			
18	1				1134-4231-01 Dragfjäder .....	Spring .....			
19	1				1134-1565-10 Distans .....	Spacer .....			
20	1				9997-0860-16 Skruv .....	Screw .....			
21	1				9699-0056-02 Planbricka .....	Flat washer .....			
22	1				9739-0831-22 Mutter .....	Nut .....			
23	1				1134-4163-01 Ansattsskruv .....	Shoulder bolt .....			
24	1				9699-0035-02 Planbricka .....	Flat washer .....			
25	1				9739-1031-22 Mutter .....	Nut .....			
26	1				1134-3958-01 Remstyrning .....	Belt guide .....			
27	2				9893-0616-16 Skruv .....	Screw .....			
28	1				1134-0041-03 Hylsa .....	Collar .....			
29	1				9997-1070-12 Skruv .....	Screw .....			
30	1				9739-1031-22 Mutter .....	Nut .....			





Utgåva Issue		Bildnr Picture No		XKH4 165HD KRAFTUTTAG 2		XKH4 165HD POWER TAKE-OFF 2		Sida Page	
2009-31		C160						164	
Pos. Fig.	Antal/Quantity				Art nr Part No	Benämning	Description	Sats Kit	Anmärkning Notes
	6197 -85								
1	1				1134-1730-01 Spännhjulssarm .....	Tension wheel arm .....			
2	1				1134-3663-01 Spännrulle .....	Tension wheel .....			
3	1				1134-1888-05 Distans .....	Spacer .....			
4	1				1134-1893-01 Fjäderfäste .....	Spring attachment .....			
5	1				9739-1031-22 Mutter .....	Nut .....			
6	1				9997-1060-12 Skruv .....	Screw .....			
7	1				9699-0035-02 Planbricka .....	Flat washer .....			
8	1				1134-5713-01 Dragfjäder .....	Spring .....			
9	1				9585-0148-01 Drivrem .....	V-belt .....			
10	1				1134-1769-03 Centrumremskiva kpl. ....	Centre pulley assy .....			
11	1				1134-0051-09 • Distans .....	• Spacer .....			
12	2				9549-0019-00 • Kullager .....	• Ball bearing .....			
13	1				1134-5548-01 Distans .....	Spacer .....			
14	1				9699-0035-02 Planbricka .....	Flat washer .....			
15	1				1134-0222-00 Bricka .....	Washer .....			
16	1				9699-0109-02 Planbricka .....	Flat washer .....			
17	1				1134-5663-01 Axel .....	Shaft .....			
18	1				1134-0052-00 Lagerdistans .....	Bearing spacer .....			
19	1				1134-1769-03 Centrumremskiva kpl. ....	Centre pulley assy .....			
20	1				1134-0051-09 • Distans .....	• Spacer .....			
21	2				9549-0019-00 • Kullager .....	• Ball bearing .....			
22	1				9997-1011-06 Skruv .....	Screw .....			
23	2				9699-0030-02 Planbricka .....	Flat washer .....			
24	1				9739-1031-22 Mutter .....	Nut .....			
25	1				1134-3654-01 Fingerskydd .....	Finger guard .....			
26	2				9959-0612-16 Skruv .....	Screw .....			
27	2				9739-0631-22 Mutter .....	Nut .....			
28	1				1134-5660-01 Spännarm .....	Tension arm .....			
29	1				1134-5823-01 Spännrulle .....	Tension roller .....			
30	1				9997-1050-16 Skruv .....	Screw .....			
31	1				9739-1031-22 Mutter .....	Nut .....			
32	1				1134-6314-01 Spännarmsfäste .....	Attachment .....			
33	1				9997-0645-12 Skruv .....	Screw .....			
34	1				9747-0631-02 Låsmutter .....	Lock nut .....			
35	1				1134-5824-01 Fjäder .....	Spring .....			