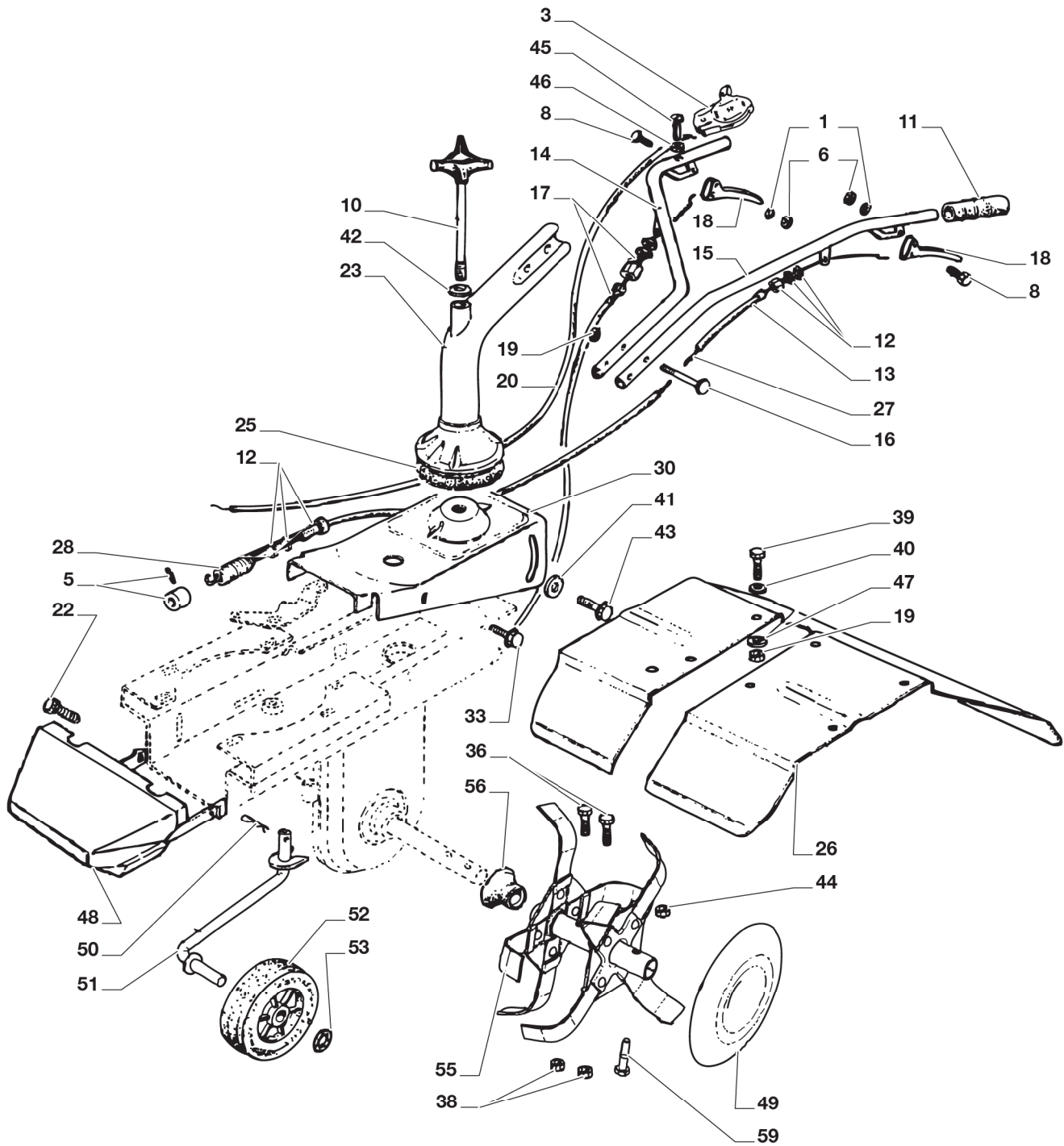


360 G	500-G	40-G	50-G	75-G	82 R-HX	87 B	TAVOLA 1	2009
	500 R-G	40 R-G	50-H	75 R-B			TABLE 1	1101.0
			50 R-B	75 R-H			TABLEAU 1	1 / 2
				75 R-HX			TAFEL 1	



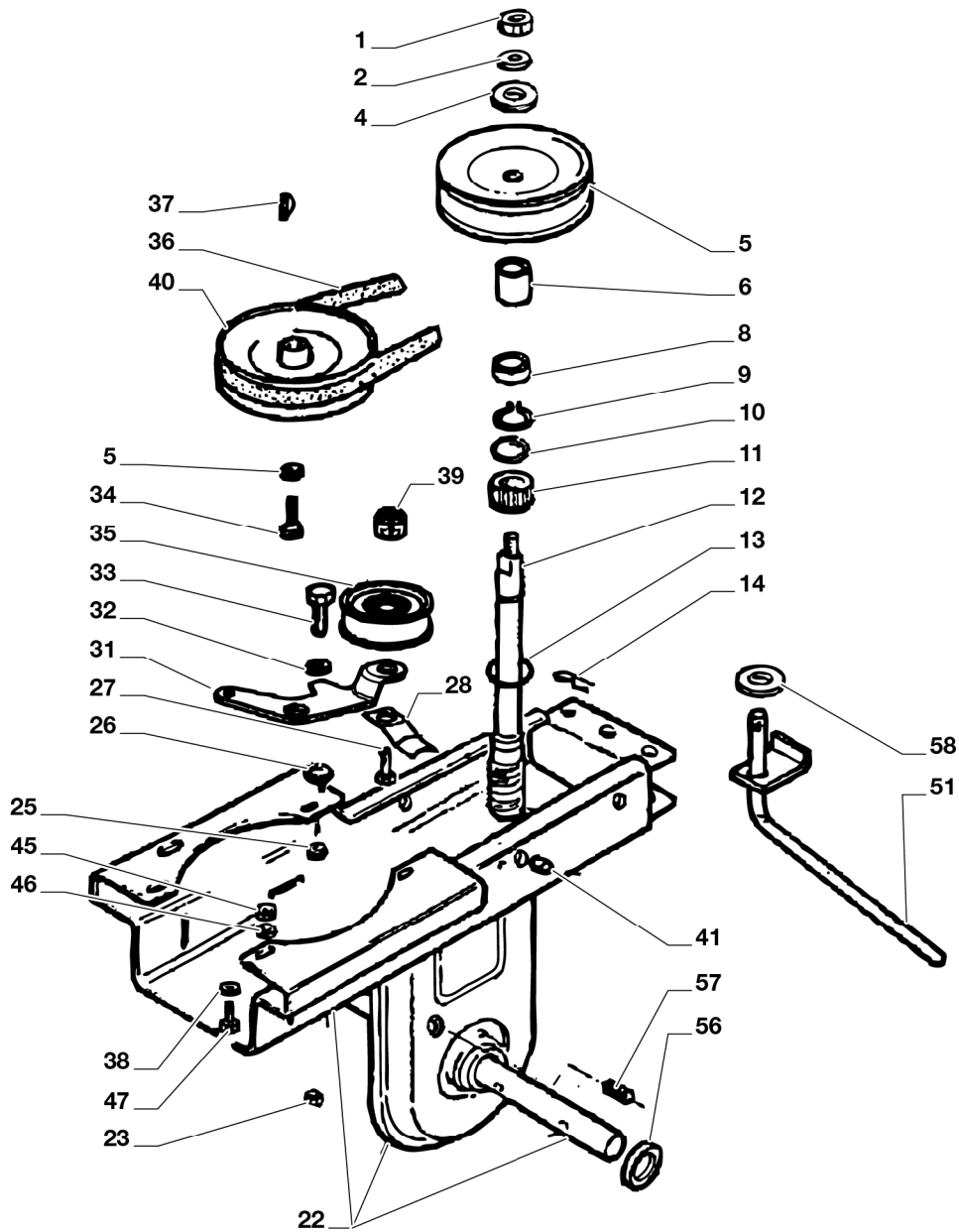
N.	CODE	Q.TY	DESCRIZIONE	DESCRIPTION	DESCRIPTION	BESCHREIBUNG
1	9699-0025-02	2	Rosetta	Washer	Rondelle	Scheibe
3	1483-2143-01	1	Acceleratore	Accelerator	Accelérateur	Gas Zug
5	1483-2198-01	1	Distanziale (500 R-G)	Spacer (500 R-G)	Entretoise (500 R-G)	Distanzring (500 R-G)
6	9747-0531-02	1	Dado	Nut	Ecrou	Mutter
8	1483-200b-01	1	Vite	Screw	Vis	Schraube
10	1483-2099-01	1	Manopolina	Knob	Poignée	Griff
11	1483-2009-01	2	Impugnatura	Handgrip	Poignée	Handgriff
12	1483-2197-01	2	Registro Cavo (500 R-G)	Cable Adjuster (500 R-G)	Registre (500 R-G)	Regler (500 R-G)
13	1483-2110-01	1	Filo (500-G)	Cable (500-G)	Fil (500-G)	Kabel (500-G)
13	1483-2116-01	1	Filo (500 R-G)	Cable (500 R-G)	Fil (500 R-G)	Kabel (500 R-G)
14	1483-2098-01	1	Manico (500-G)	Handle (500-G)	Mancheron (500-G)	Holm (500-G)
14	1483-2102-01	1	Manico (500 R-G)	Handle (500 R-G)	Mancheron (500 R-G)	Holm (500 R-G)
15	1483-2100-01	1	Manico	Handle	Mancheron	Holm





N.	CODE	Q.TY	DESCRIZIONE	DESCRIPTION	DESCRIPTION	BESCHREIBUNG
16	9897-0880-12	2	Vite	Screw	Vis	Schraube
17	1483-2104-01	1	Filo (500 R-G)	Cable (500 R-G)	Fil (500 R-G)	Kabel (500 R-G)
18	1483-2008-01	1	Maniglia	Handle	Poignee	Griff
19	9747-0831-02	6	Dado	Nut	Ecrou	Mutter
20	1483-2142-01	1	Cavo Acceleratore	Throttle Cable	Cable, Accelérateur	Gashebel Kabel
22	9847-8016-16	1	Vite	Screw	Vis	Schraube
23	1483-2105-01	1	Supporto Giallo	Support Yellow	Support Jaune	Halter Gelb
23	1483-2105-02	1	Supporto Rosso	Support Red	Support Rouge	Halter Rot
25	1483-2078-01	1	Disco	Disc	Disque	Scheibe
26	1483-2101-01	1	Protezione Gialla	Guard Yellow	Protection Jaune	Schutz Gelb
26	1483-2101-02	1	Protezione Rossa	Guard Red	Protection Rouge	Schutz Rot
27	1483-2103-01	1	Filo (500 R-G)	Cable (500 R-G)	Fil (500 R-G)	Kabel (500 R-G)
28	1483-2115-01	1	Molla (500 R-G)	Spring (500 R-G)	Ressort (500 R-G)	Feder (500 R-G)
30	1483-2086-01	1	Piastra Gialla	Plate Yellow	Plaque Jaune	Platte Gelb
30	1483-2086-02	1	Piastra Rossa	Plate Red	Plaque Rouge	Platte Rot
33	9959-0816-16	2	Vite	Screw	Vis	Schraube
36	9997-1050-16	4	Vite	Screw	Vis	Schraube
38	9747-1031-02	4	Dado	Nut	Ecrou	Mutter
39	9997-0820-16	4	Vite	Screw	Vis	Schraube
40	9699-0028-02	4	Rosetta	Washer	Rondelle	Scheibe
41	9699-0056-02	2	Rosetta	Washer	Rondelle	Scheibe
42	9699-0121-02	1	Rosetta	Washer	Rondelle	Scheibe
43	9959-0825-16	2	Vite	Screw	Vis	Schraube
44	9747-1031-02	2	Dado	Nut	Ecrou	Mutter
45	9948-0650-16	1	Vite	Screw	Vis	Schraube
46	9747-0631-02	1	Dado	Nut	Ecrou	Mutter
47	9699-0122-02	4	Rosetta	Washer	Rondelle	Scheibe
48	1483-2080-01	1	Piastrina	Plate	Plaque	Platte
49	1483-2022-01	2	Disco	Disc	Disque	Scheibe
50	9598-0002-02	1	Coppiglia	Cotter Pin	Goupille	Split
51	1483-2106-01	1	Supporto	Support	Support	Halter
52	1483-2111-01	1	Ruotino	Wheel	Roulettes	Raedchen
53	1483-2195-01	1	Rosetta	Washer	Rondelle	Scheibe
55	1483-2023-01	1	Ass. Fresa Destra	Right Tine Assy	Ens. Dent Droite	Rechte Zinke Komplett
55	1483-2024-01	1	Ass. Fresa Sinistra	Left Tine Assy	Ens. Dent Gauche	Linke Zinke Komplett
56	1483-2010-01	2	Disco Parapolvere	Dust Cover	Protege-Poussiere	Staubschuttscheibe
59	9997-1050-16	2	Vite	Screw	Vis	Schraube





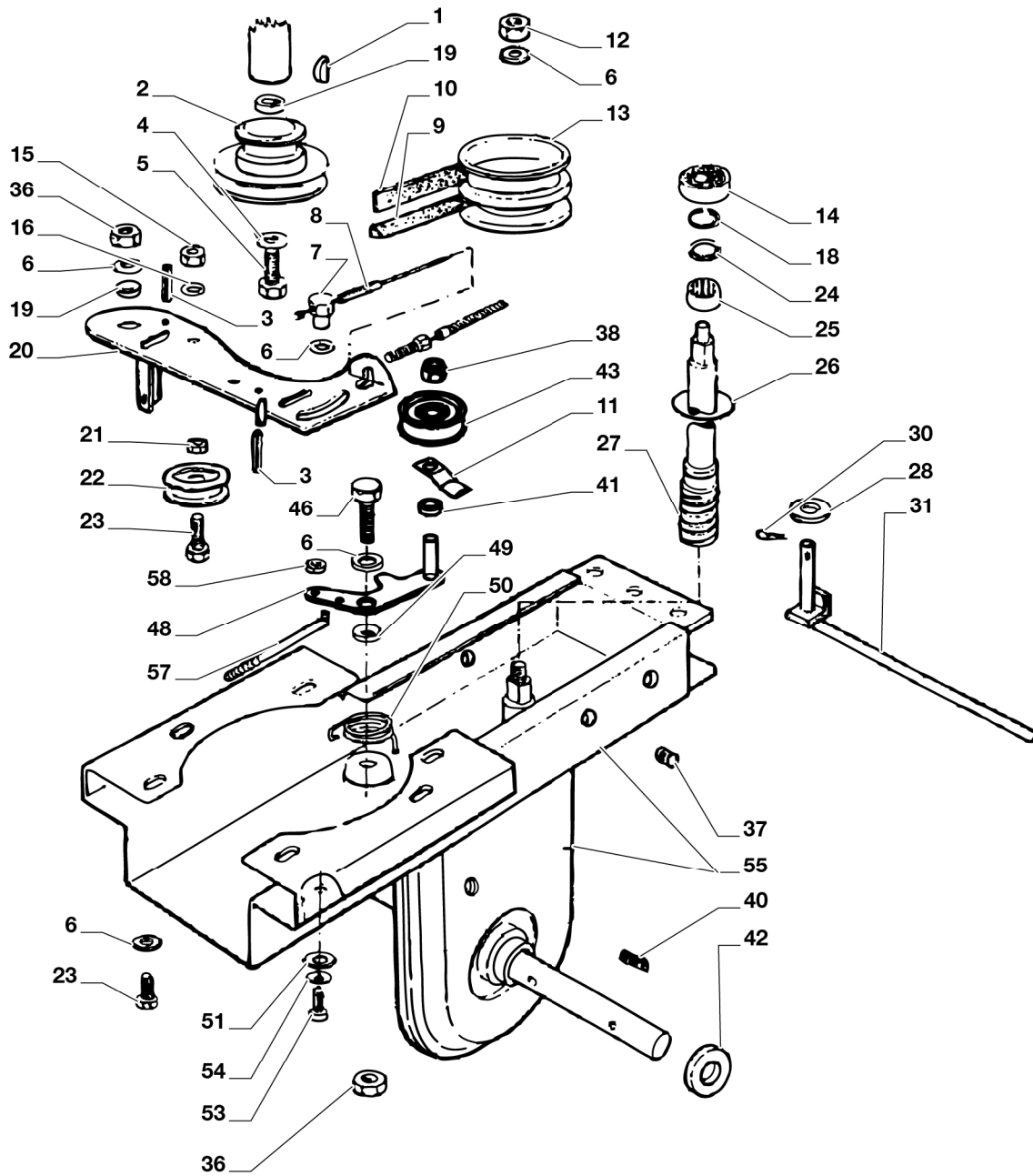
N.	CODE	Q.TY	DESCRIZIONE	DESCRIPTION	DESCRIPTION	BESCHREIBUNG
1	9799-1231-02	1	Dado	Nut	Ecrou	Mutter
2	9699-0035-02	2	Rosetta	Washer	Rondelle	Scheibe
4	1483-2085-01	1	Rosetta	Washer	Rondelle	Scheibe
5	1483-2082-01	1	Puleggia	Pulley	Poulie	Riemenscheibe
6	1483-2084-01	1	Distanziale	Spacer	Entretoise	Distanzring
8	1483-2192-01	1	Cuscinetto	Bearing	Roulement	Kuegellager
9	1483-2068-01	1	Seeger	Seeger	Seeger	Seeger
10	1483-2000-01	1	Distanziale	Spacer	Entretoise	Distanzring
11	1483-2072-01	1	Gabbia A Rulli	Needle Bearing	Cage A Roulements	Walzenkäfig
12	1483-2081-01	1	Vite Senza Fine	Endless screw	Vis Sans Fin	Endlosschraube
13	1483-2188-01	1	Anello Or	O Ring	O Ring	O Ring
14	9598-0002-02	1	Coppiglia	Cotter Pin	Goupille	Split
22	1483-2093-01	1	Carter Trasmissione Giallo	Transm.housing-yellow	Carter Transmission Jaune	Antriebsblech Gelb





N.	CODE	Q.TY	DESCRIZIONE	DESCRIPTION	DESCRIPTION	BESCHREIBUNG
22	1483-2093-02	1	Carter Trasmissione Rosso	Transm.housing-red	Carter Transmission Rouge	Antriebsblech Rot
23	9747-1031-02	1	Dado	Nut	Ecrou	Mutter
25	1483-2001-01	1	Bussola	Bush	Douille	Buchse
26	1483-2096-01	1	Molla	Spring	Ressort	Feder
27	9997-1230-16	1	Vite	Screw	Vis	Schraube
28	1483-2144-01	1	Guidacinghia	Belt Guide	Guide De Courroie	Riemenfuhrun
31	1483-2083-01	1	Leva	Lever	Levier	Hebel
32	9699-0105-02	1	Rosetta	Washer	Rondelle	Scheibe
33	9997-1020-16	1	Vite	Screw	Vis	Schraube
34	9987-5225-16	1	Vite	Screw	Vis	Schraube
35	1483-2004-01	1	Puleggia	Pulley	Poulie	Riemenscheibe
36	1483-2113-01	1	Cinghia	Belt	Courroie	Riemen
37	12139100/0	1	Chiavetta	Key	Clavette	Keil
38	9699-0122-02	1	Rosetta	Washer	Rondelle	Scheibe
39	9747-1231-02	1	Dado	Nut	Ecrou	Mutter
40	1483-2002-01	1	Puleggia	Pulley	Poulie	Riemenscheibe
41	1483-2108-01	1	Bussola	Bush	Douille	Buchse
45	9747-0831-02	1	Dado	Nut	Ecrou	Mutter
46	9699-0028-02	1	Rosetta	Washer	Rondelle	Scheibe
47	9997-0840-16	1	Vite	Screw	Vis	Schraube
51	1483-2107-01	1	Leva	Lever	Levier	Hebel
56	1483-2070-01	2	Guarnizione	Oil Seal	Garniture	Dichtung
57	1483-2075-01	1	Tappo	Cap	Bouchon	Gummistopfen
58	9699-0104-02	1	Rosetta	Washer	Rondelle	Scheibe





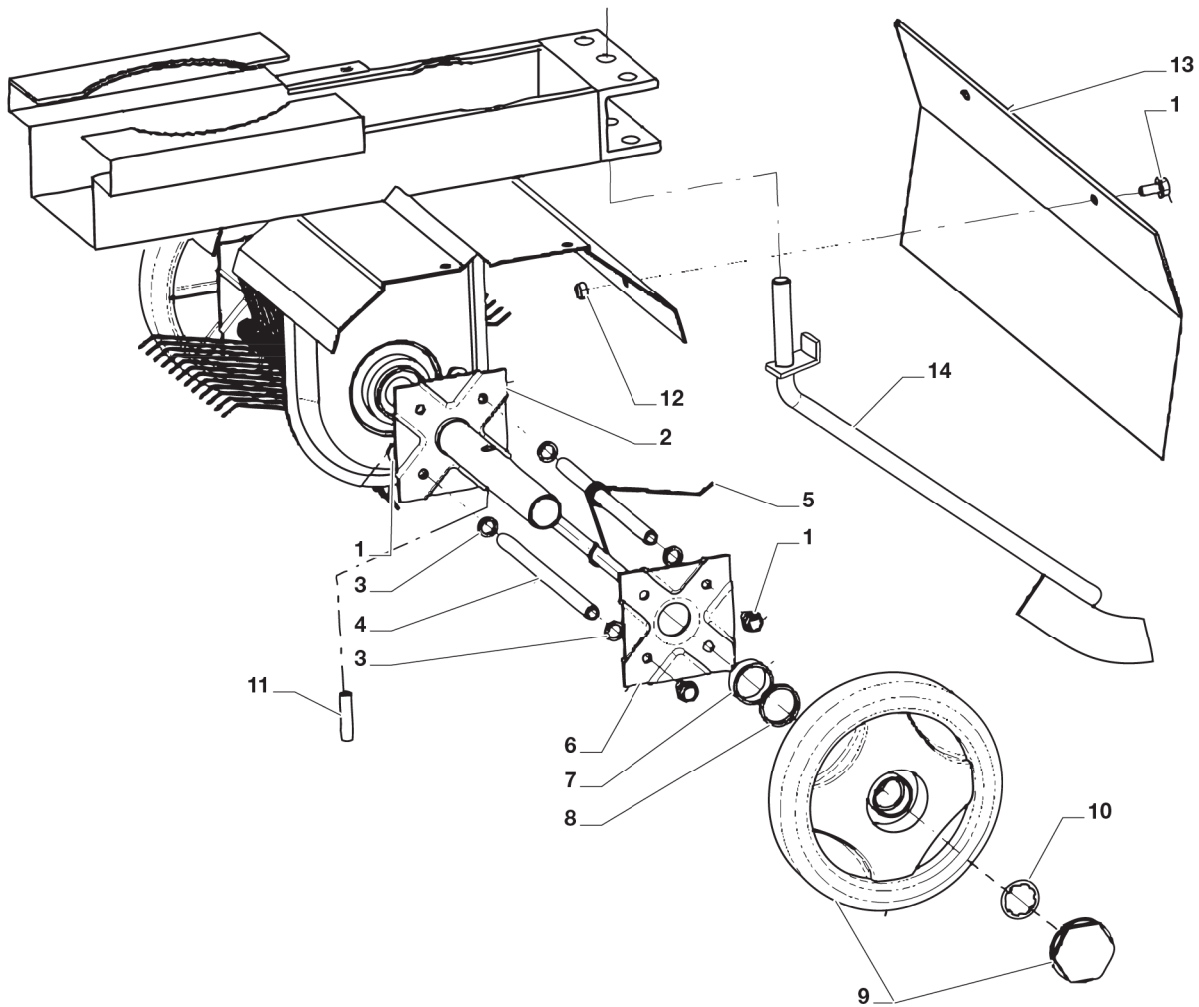
N.	CODE	Q.TY	DESCRIZIONE	DESCRIPTION	DESCRIPTION	BESCHREIBUNG
1	12139100/0	1	Chiavetta	Key	Clavette	Keil
2	1483-2002-01	1	Puleggia	Pulley	Poulie	Riemenscheibe
3	9595-0235-00	2	Perno	Pin	Pivot	Bolzen
4	9699-0035-02	1	Rosetta	Washer	Rondelle	Scheibe
5	9987-5225-16	1	Vite	Screw	Vis	Schraube
6	9699-0105-02	4	Rosetta	Washer	Rondelle	Scheibe
7	1483-2092-01	1	Perno	Pin	Pivot	Bolzen
8	1483-2097-01	1	Molla	Spring	Ressort	Feder
9	1483-2113-01	1	Cinghia	Belt	Courroie	Riemen
10	1483-2114-01	1	Cinghia	Belt	Courroie	Riemen
11	1483-2144-01	1	Guidacinghia	Belt Guide	Guide De Courroie	Riemenfuhrun
12	9799-1231-02	1	Dado	Nut	Ecrou	Mutter
13	1483-2087-01	1	Puleggia	Pulley	Poulie	Riemenscheibe





N.	CODE	Q.TY	DESCRIZIONE	DESCRIPTION	DESCRIPTION	BESCHREIBUNG
14	1483-2192-01	1	Cuscinetto	Bearing	Roulement	Kuegellager
15	9799-1031-02	1	Dado	Nut	Ecrou	Mutter
16	9699-0035-02	1	Rosetta	Washer	Rondelle	Scheibe
18	1483-2068-01	1	Seeger	Seeger	Seeger	Seeger
19	1483-2088-01	2	Distanziale	Spacer	Entretoise	Distanzring
20	1483-2094-01	1	Leva	Lever	Levier	Hebel
21	1483-2090-01	1	Dado	Nut	Ecrou	Mutter
22	1483-2003-01	1	Puleggia	Pulley	Poulie	Riemenscheibe
23	9997-1025-16	2	Vite	Screw	Vis	Schraube
24	1483-2000-01	1	Distanziale	Spacer	Entretoise	Distanzring
25	1483-2072-01	1	Gabbia A Rulli	Needle Bearing	Cage À Roulements	Walzenkäfig
26	1483-2188-01	1	Anello Or	O Ring	O Ring	O Ring
27	1483-2081-01	1	Vite Senza Fine	Endless screw	Vis Sans Fin	Endlosschraube
28	9699-0104-02	1	Rosetta	Washer	Rondelle	Scheibe
30	9598-0002-02	1	Coppiglia	Cotter Pin	Goupille	Split
31	1483-2107-01	1	Leva	Lever	Levier	Hebel
36	9747-1031-02	2	Dado	Nut	Ecrou	Mutter
37	1483-2108-01	1	Bussola	Bush	Douille	Buchse
38	9747-1231-02	1	Dado	Nut	Ecrou	Mutter
40	1483-2075-01	1	Tappo	Cap	Bouchon	Gummistopfen
41	1483-2089-01	1	Distanziale	Spacer	Entretoise	Distanzring
42	1483-2070-01	2	Guarnizione	Oil Seal	Garniture	Dichtung
43	1483-2004-01	1	Puleggia	Pulley	Poulie	Riemenscheibe
46	9997-1020-16	1	Vite	Screw	Vis	Schraube
48	1483-2091-01	1	Leva	Lever	Levier	Hebel
49	1483-2001-01	1	Bussola	Bush	Douille	Buchse
50	1483-2096-01	1	Molla	Spring	Ressort	Feder
51	9699-0100-02	1	Rosetta	Washer	Rondelle	Scheibe
53	9997-0612-16	1	Vite	Screw	Vis	Schraube
54	9683-0025-02	1	Rosetta	Washer	Rondelle	Scheibe
55	1483-2093-01	1	Carter Trasmissione Giallo	Transm.housing-yellow	Carter Transmission Jaune	Antriebsblech Gelb
55	1483-2093-02	1	Carter Trasmissione Rosso	Transm.housing-red	Carter Transmission Rouge	Antriebsblech Rot
57	1483-2095-01	1	Asta	Rod	Tige	Stab
58	9747-0631-02	1	Dado	Nut	Ecrou	Mutter

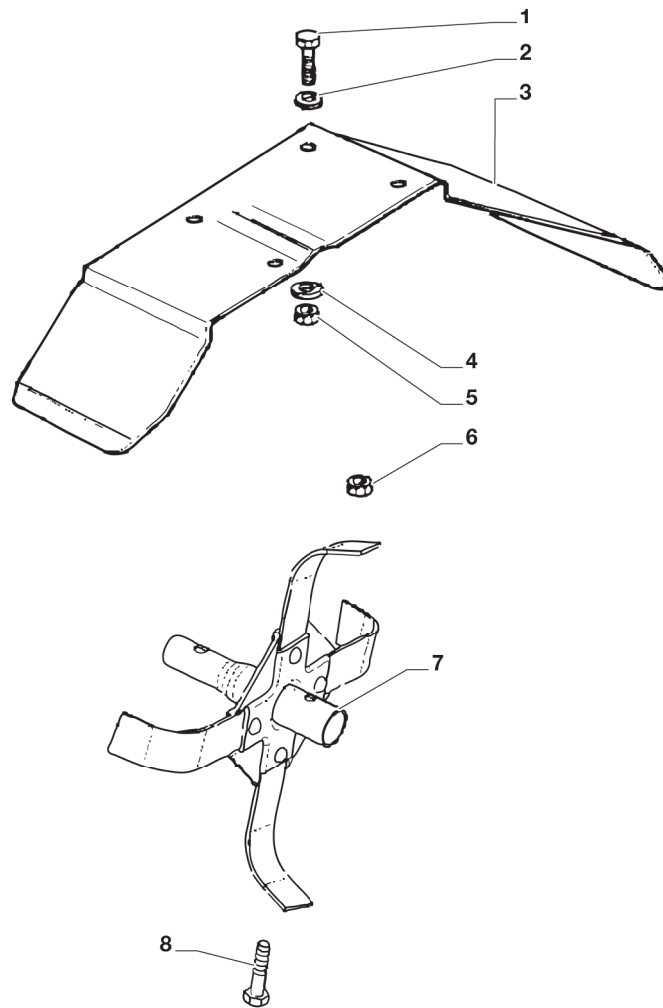




N.	CODE	Q.TY	DESCRIZIONE	DESCRIPTION	DESCRIPTION	BESCHREIBUNG
1	9959-0816-16	18	Vite	Screw	Vis	Schraube
2	1483-2309-01	2	Staffa	Clamp	Etrier	Bride
3	9699-0121-02	16	Rosetta	Washer	Rondelle	Scheibe
4	1483-2305-01	8	Albero	Shaft	Arbre	Welle
5	1483-2307-01	96	Molla	Spring	Ressort	Feder
6	1483-2301-01	2	Flangia	Flange	Bride	Flansch
7	1483-2310-01	2	Distanziale	Spacer	Entretoise	Distanzring
8	1483-2285-01	2	Distanziale	Spacer	Entretoise	Distanzring
9	1483-2308-01	2	Ruota	Wheel	Roue	Rad
10	1483-2322-01	2	Fissatore A Corona	Crown Fastener	Fixateur A Couronne	Kronescheibe
11	1483-2324-01	2	Spina	Pin	Goupille	Stift
12	9747-0831-02	2	Dado	Nut	Ecrou	Mutter
13	1483-2298-01	1	Copertura	Cover	Couvre	Kappe
14	1483-2303-01	1	Asta	Rod	Barre	Stange



360 G	500-G	40-G	50-G	75-G	82 R-HX	87 B	TAVOLA 4	2009
	500 R-G	40 R-G	50-H	75 R-B			TABLE 4	1104.0
			50 R-B	75 R-H			TABLEAU 4	1 / 1
							TAFEL 4	

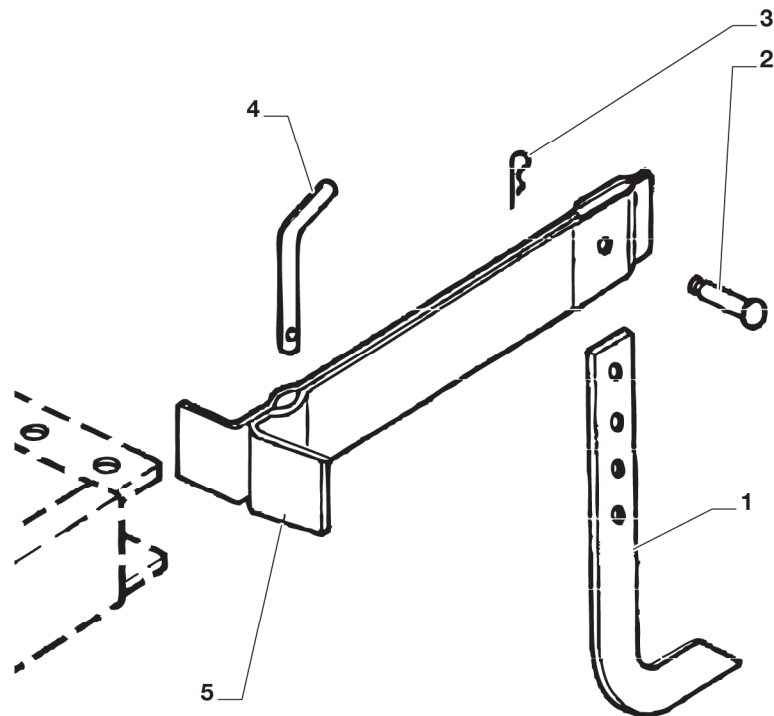


N.	CODE	Q.TY	DESCRIZIONE	DESCRIPTION	DESCRIPTION	BESCHREIBUNG
1	9997-0820-16	4	Vite	Screw	Vis	Schraube
2	9699-0028-02	4	Rosetta	Washer	Rondelle	Scheibe
3	1483-2288-01	1	Copertura Gialla Destra	Right Yellow Cover	Couvre Jaune Droite	Rechte Kappe Gelb
3	1483-2289-01	1	Copertura Gialla Sinistra	Left Yellow Cover	Couvre Jaune Gauche	Linke Kappe Gelb
3	1483-2290-01	1	Copertura Rossa Destra	Right Red Cover	Couvre Rouge Droite	Rechte Kappe Rot
3	1483-2291-01	1	Copertura Rossa Sinistra	Left Red Cover	Couvre Rouge Gauche	Linke Kappe Rot
4	9699-0122-02	4	Rosetta	Washer	Rondelle	Scheibe
5	9747-0831-02	4	Dado	Nut	Ecrou	Mutter
6	9747-1031-02	2	Dado	Nut	Ecrou	Mutter
7	1483-2169-01	1	Ass. Fresa Destra	Right Tine Assy	Ens. Dent Droite	Rechte Zinke Komplet
7	1483-2170-01	1	Ass. Fresa Sinistra	Left Tine Assy	Ens. Dent Gauche	Linke Zinke Komplet
8	9997-1050-16	2	Vite	Screw	Vis	Schraube





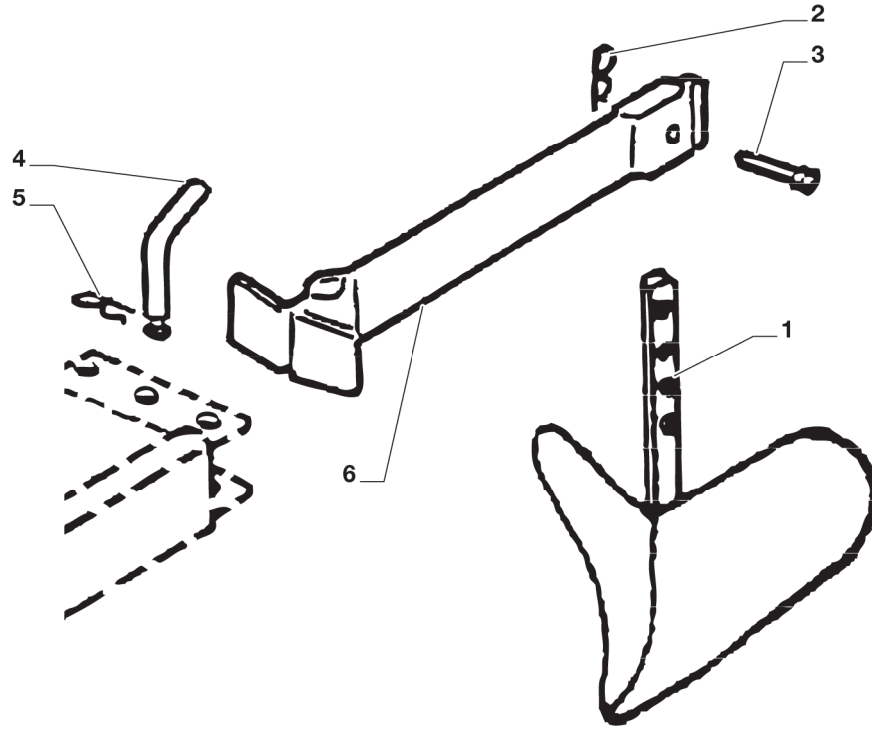
360 G	500-G	40-G	50-G	75-G	82 R-HX	87 B	TAVOLA 5	2009
	500 R-G	40 R-G	50-H	75 R-B			TABLE 5	1105.0
			50 R-B	75 R-H			TABLEAU 5	1 / 1
				75 R-HX			TAFEL 5	



N.	CODE	Q.TY	DESCRIZIONE	DESCRIPTION	DESCRIPTION	BESCHREIBUNG
1	1483-2287-01	1	Asta	Rod	Barre	Stange
2	1483-2286-01	1	Perno	Pin	Pivot	Bolzen
3	9599-0052-02	1	Coppiglia	Cotter Pin	Goupille	Splint
4	1483-2292-01	1	Perno	Pin	Pivot	Bolzen
5	1483-2293-01	1	Staffa	Bracket	Support	Schelle



360 G	500-G	40-G	50-G	75-G	82 R-HX	87 B	TAVOLA 5	2009
	500 R-G	40 R-G	50-H	75 R-B			TABLE 5	1106.0
			50 R-B	75 R-H			TABLEAU 5	1 / 1
				75 R-HX			TAFEL 5	



N.	CODE	Q.TY	DESCRIZIONE	DESCRIPTION	DESCRIPTION	BESCHREIBUNG
1	1483-2294-01	1	Aratro	Plough	Charrue	Winkeldrehpflug
2	9598-0002-02	1	Coppiglia	Cotter Pin	Goupille	Splint
3	1483-2286-01	1	Perno	Pin	Pivot	Bolzen
4	1483-2292-01	1	Perno	Pin	Pivot	Bolzen
5	9599-0052-02	1	Coppiglia	Cotter Pin	Goupille	Splint
6	1483-2293-01	1	Staffa	Bracket	Support	Schelle

