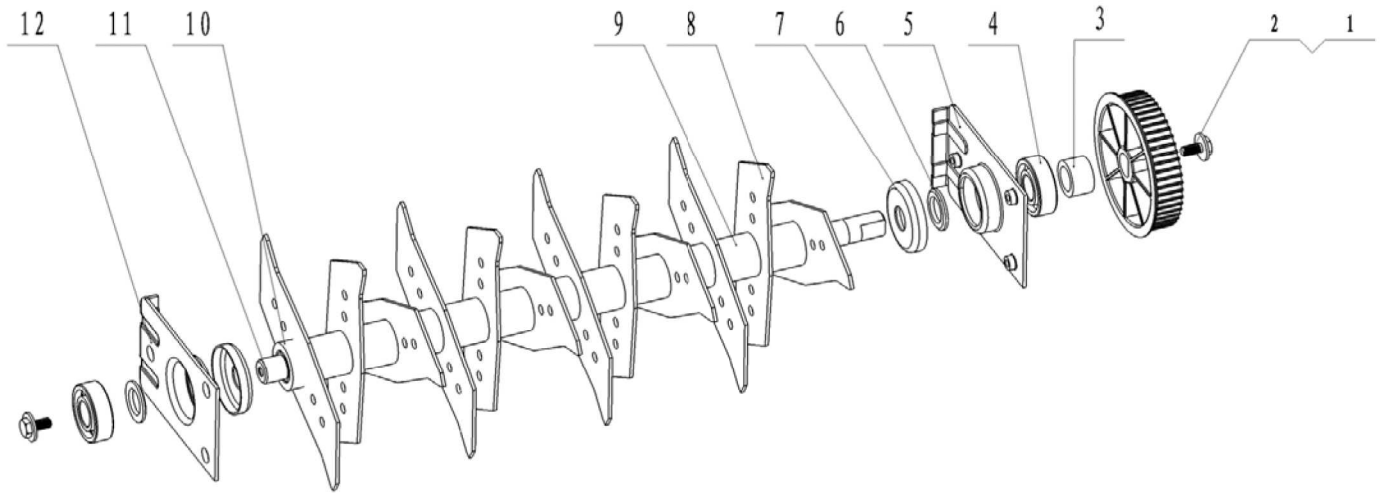




N.	CODE	Q.TY	DESCRIZIONE	DESCRIPTION	DESCRIPTION	BESCHREIBUNG	REMARKS
1	1716-0006-01	8	VITE	SCREW	VIS	SCHRAUBE	
2	1716-0010-01	8	ROSETTA	WASHER	RONDELLE	SCHEIBE	
3	1716-0021-01	1	CHASSIS	DECK	CHÂSSIS	GEHÄUSE	
4	1716-0015-01	1	CINGHIA	BELT	COURROIE	RIEMEN	
5	1716-0022-01	1	CARTER CINGHIA	PROTECTION, BELT	PROTECTION COUR-ROIRE	SCHUTZ, RIEMEN	
6	9847-8016-16	3	VITE	SCREW	VIS	SCHRAUBE	
7	1716-0009-01	3	ROSETTA	WASHER	RONDELLE	SCHEIBE	
8	1716-0199-01	1	FLANGIA	FLANGE	BRIDE	FLANSCH	
9	1716-0035-01	1	VITE	SCREW	VIS	SCHRAUBE	
10	1716-0016-01	1	RUOTA DENTATA	SPROCKET	COURONNE	ZAHNKETTENRAD	
11	1716-0196-01	1	MOTORE	MOTOR	MOTEUR	MOTOR	
12	1716-0193-01	1	VENTOLA	FAN	VENTILATEUR	LÜFTER	
13	1716-0188-01	4	VITE	SCREW	VIS	SCHRAUBE	
14	1716-0191-01	1	CONDENSATORE	CAPACITOR	CONDENSATEUR	KONDENSATOR	
15	9683-0030-02	1	ROSETTA	WASHER	RONDELLE	SCHEIBE	
16	1716-0023-01	1	CAPOTTINA, GIALLO	COVER, YELLOW	CAPOT, JAUNE	HAUBE, GELB	
16	1716-0023-02	1	CAPOTTINA, ROSSO	COVER, RED	CAPOT, ROUGE	HAUBE, ROT	
17	1716-0006-01	2	VITE	SCREW	VIS	SCHRAUBE	
18	1716-0010-01	2	ROSETTA	WASHER	RONDELLE	SCHEIBE	
19	1716-0050-01	1	MANICO, PARTE INF	HANDLE, LOWER PART	MANCHERON, PARTIE INFERIEURE	HOLM, UNTERTEIL	
20	1716-0003-01	2	VITE	SCREW	VIS	SCHRAUBE	
21	1716-0001-01	2	MANOPOLINA	KNOB	POIGNÉE	GRIFF	
22	1716-0049-01	1	MANICO, PARTE SUP	HANDLE, UPPER PART	MANCHERON, PARTIE SUPERIEURE	HOLM, OBERTEIL	
23	1716-0192-01	1	FERMACAVO	FAIRLEAD	FIXATION CABLE	KABELBEFESTIGUNG	
24	1716-0200-01	1	SALVAMOTORE	DEAD HAND SWITCH	INT. MAIN MORTE	TOT MANSCHALTER	
25	9847-8016-16	2	VITE	SCREW	VIS	SCHRAUBE	
26	1716-0031-01	2	FASCETTA	ANCHOR CLAMP	COLLIER ANCRAGE	BOWDENZUGHALTER	
27	1716-0025-01	1	FASCETTA	ANCHOR CLAMP	COLLIER ANCRAGE	BOWDENZUGHALTER	
28	1716-0019-01	2	TAPPO	CAP	BOUCHON	GUMMISTOPFEN	
29	1716-0026-01	1	DEFLETTORE GIALLO	DEFLECTOR, YELLOW	DEFLECTEUR, JAUNE	DEFLEKTOR, GELB	
29	1716-0026-02	1	DEFLETTORE ROSSO	DEFLECTOR, RED	DEFLECTEUR, ROUGE	DEFLEKTOR, ROT	
30	26-9936-12	1	SACCO COMPLETO	COLLECTOR ASSY	BAC COMPLETE	KORB, KOMPLETTE	
31	1716-0051-01	1	MOLLA	SPRING	RESSORT	FEDER	
32	1716-0004-01	2	VITE	SCREW	VIS	SCHRAUBE	
33	1716-0014-01	1	CLIP	CLIP	CLIP	SPERRBOLZEN	
34	9847-8016-16	2	VITE	SCREW	VIS	SCHRAUBE	
35	1716-0030-01	1	SETTORE REGOLAZIONE ALTEZZA	SECTOR, HEIGHT ADJUSTMENT	SECTEUR REGLAGE HAUTEUR	SEKTOR, HÖHEVERSTELLUNG	
36	9847-8016-16	3	VITE	SCREW	VIS	SCHRAUBE	
37	1716-0009-01	3	ROSETTA	WASHER	RONDELLE	SCHEIBE	
38	1716-0012-01	1	ROSETTA ELASTICA	SPRING WASHER	RONDELLE ELASTIQUE	ELASTISCHE SCHEIBE	
39	1716-0011-01	2	ROSETTA	WASHER	RONDELLE	SCHEIBE	
40	1716-0034-01	1	ASS. ALBERO LAMA	BLADE SHAFT, ASSY	ENS. ARBRE LAME	MESSERWELLE SET	
41	1716-0011-01	6	ROSETTA	WASHER	RONDELLE	SCHEIBE	
42	1716-0012-01	6	ROSETTA	WASHER	RONDELLE	SCHEIBE	
43	1716-0027-01	1	COPERCHIO	COVER	COUVERCLE	DECKEL	
44	1716-0187-01	6	VITE	SCREW	VIS	SCHRAUBE	
45	1716-0018-01	1	RUOTA DENTATA	SPROCKET	COURONNE	ZAHNKETTENRAD	
46	1716-0187-01	2	VITE	SCREW	VIS	SCHRAUBE	
47	1716-0028-01	1	COPERCHIO	COVER	COUVERCLE	DECKEL	
48	1716-0056-01	4	ANELLO ELASTICO	SNAP RING	ANNEAU RESSORT	SPRENGRING	
49	1716-0054-01	4	COPRIMOZZO, GIALLO	HUB CAP, YELLOW	COUVRE-MOYEU, JAUNE	RADKAPPE, GELB	
49	1716-0054-02	4	COPRIMOZZO, ROSSO	HUB CAP, RED	COUVRE-MOYEU, ROUGE	RADKAPPE, ROT	
50	1716-0053-01	4	RUOTA	WHEEL	ROUE	RAD	
51	1716-0020-01	2	PIASTRINA	PLATE	PLAQUETTE	PLATTE	
52	1716-0048-01	1	ASSE RUOTE POSTERIORI	AXLE, REAR WHEELS	AXE ROUES ARRIERE	ACHSE, HINTERRAD	
53	1716-0198-01	1	ASSE RUOTE ANTERIORI	AXLE, FRONT WHEELS	AXE ROUES AVANT	ACHSE, VORDERRAD	
54	1716-0029-01	2	PIASTRINA	PLATE	PLAQUETTE	PLATTE	





N.	CODE	Q.TY	DESCRIZIONE	DESCRIPTION	DESCRIPTION	BESCHREIBUNG	REMARKS
1	1716-0187-01	2	VITE	SCREW	VIS	SCHRAUBE	
2	1716-0011-01	2	ROSETTA	WASHER	RONDELLE	SCHEIBE	
2	1716-0012-01	2	ROSETTA ELASTICA	SPRING WASHER	RONDELLE ELASTIQUE	ELASTISCHE SCHEIBE	
3	1716-0037-01	1	DISTANZIALE	SPACER	ENTRETOISE	DISTANZRING	
4	1716-0038-01	1	CUSCINETTO A SFERE (2)	BALL BEARING (2)	ROUL. À BILLES (2)	KUGELLAGER (2)	
5	1716-0039-01	1	SUPPORTO	SUPPORT	SUPPORT	HALTER	
6	1716-0040-01	1	ROSETTA (2)	WASHER (2)	RONDELLE (2)	SCHEIBE (2)	
7	1716-0041-01	1	SUPPORTO (2)	SUPPORT (2)	SUPPORT (2)	HALTER (2)	
8	1716-0042-01	1	ASS. COLTELLO (12)	BLADE ASSY (12)	LAME ENS. (12)	MESSER, SATZ (12)	
9	1716-0043-01	1	ASS. DISTANZIALE (11)	SPACER ASSY (11)	ENTRETOISE ENS. (11)	DISTANZRING SET (11)	
10	1716-0044-01	1	DISTANZIALE (2)	SPACER (2)	ENTRETOISE (2)	DISTANZRING (2)	
11	1716-0045-01	1	ALBERO LAMA	BLADE SHAFT	ARBRE LAME	MESSERWELLE	
12	1716-0046-01	1	SUPPORTO	SUPPORT	SUPPORT	HALTER	

