

STAR

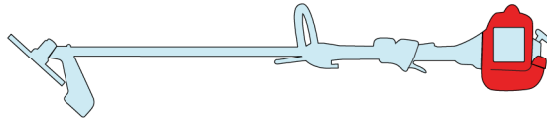
36

36D

41

41D

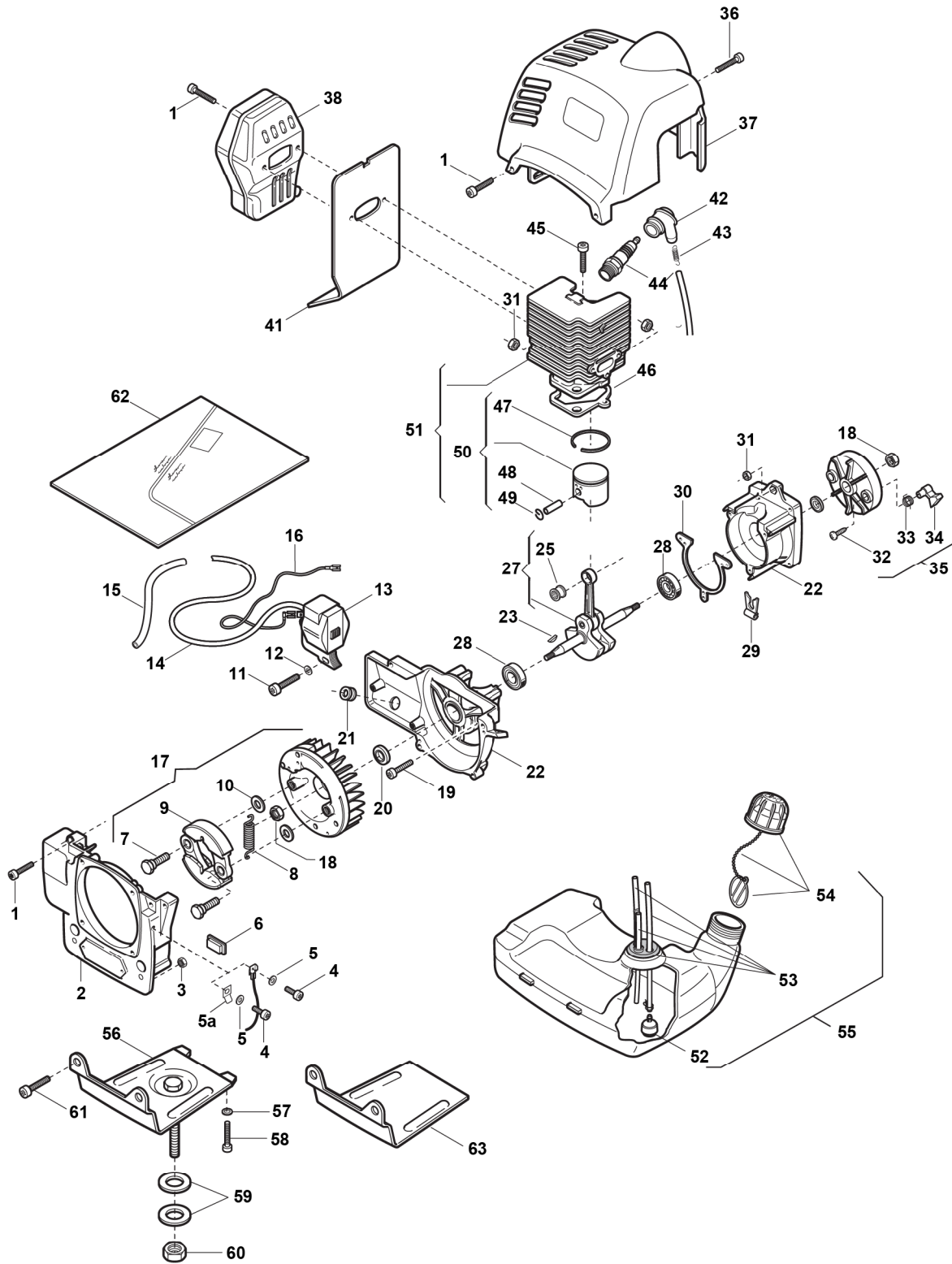
41F



2007

251.0

1 / 2





| N. | CODE | Q.TY | DESCRIZIONE | DESCRIPTION | DESCRIPTION | BESCHREIBUNG | REMARKS |
|----|-----------|------|--------------------------------------|--------------------------------------|------------------------------------|------------------------------------|---------|
| 1 | 2135040 | 12 | VITE | SCREW | VIS | SCHRAUBE | |
| 2 | 4540800 | 1 | CARTER X SUPPORTO TRASM. | TRASM. SUPPORT CASE | CARTER SUPPORT TRANSM. | GEHÄUSE GETRIEBE-PLATTFORM. | |
| 3 | 2432030 | 2 | DADO (FLEX) | NUT (FLEX) | ECROU (FLEX) | MUTTERSCHRAUBE (FLEX) | |
| 4 | 2132500 | 1 | VITE | SCREW | VIS | SCHRAUBE | |
| 5 | 2312120 | 1 | ROSETTA | WASHER | RONDELLE | SCHEIBE | |
| 5a | 3211420 | 1 | FASTON (FLEX) | FASTON (FLEX) | FASTON (FLEX) | ERDUNGSSTECKER (FLEX) | |
| 6 | 3745530 | 4 | GOMMINO SUPPORTO | SERB.GROMMET | RONDELLE CAOUT-CHOU | GUMMITRÄGER | |
| 7 | 2653210 | 2 | VITE | SCREW | VIS | SCHRAUBE | |
| 8 | 3654040 | 1 | MOLLA FRIZIONE | SPRING | RESSORT | KUPPLUNGSFEDER | |
| 9 | 3660430/1 | 2 | MASSA FRIZIONE | CLUTCH UNIT | EMBAYAGE | REIBUNGSMASSE | |
| 10 | 2321230 | 2 | ROSETTA | WASHER | RONDELLE | SCHEIBE | |
| 11 | 2135060 | 2 | VITE | SCREW | VIS | SCHRAUBE | |
| 12 | 2321150 | 2 | ROSETTA | WASHER | RONDELLE | SCHEIBE | |
| 13 | 3211015 | 1 | BOBINA ELETTRONICA | ELETTRONIC COIL | BOBINE ÉLECTRONIQUE | ELEKTRONIKSPULE | |
| 14 | 3211080 | 1 | FILO BOBINA | SPARK PLUG CABLE | FIL BOBINE | DRAHT ZÜNDKERZE | |
| 15 | 3782040 | 1 | GUAINA CAVO | WIRE SHEATH | GAINÉ CÂBLE | KABELMANTEL | |
| 16 | 3211415 | 1 | CAVO MASSA | EARTH CABLE | CÂBLE MASSE | ERDUNGSKABEL | |
| 17 | 4251480/1 | 1 | ASS. VOLANO C/MASSE (INCL. 7,9,10) | FLYWHEEL ASS.Y (INCL. 7,9,10) | ENS. VOLANT (INCL. 7,9,10) | SET SCHWUNGRAD (INKL.7,9,10) | |
| 18 | 2670120 | 2 | DADO | NUT | ECROU | MUTTER | |
| 19 | 2135050 | 3 | VITE | SCREW | VIS | SCHRAUBE | |
| 20 | 3121070 | 2 | ANELLO DI TENUTA | SEAL RING | ANNEAU DE TENUE | DICHTRING | |
| 21 | 3745130 | 1 | GOMMINO PASSACAPO | GROMMET | RONDELLE CAOUT-CHOU | LIPPKLAMPE | |
| 22 | 8521010 | 1 | COPPIA CARTERS MOTORE | CRANCKASE ASS.Y | ENS. CARTER MOTEUR | PAAR MOTORABDECKUNG | |
| 23 | 3151010 | 1 | LINGUETTA VOLANO | FLYWHEEL KEY | CLAVETTE VOLANT | LASCHE SCHWUNGRAD | |
| 25 | 3116100 | 1 | ASTUCCIO A RULLI | NEEDLE BEARING | ROUL. À AIGUILLES | WALZENROHR | |
| 27 | 8250840 | 1 | ASS. ALBERO MOTORE (INCL. 25) | CRANKSHAFT (INCL. 25) | ARBRE MOTEUR (INCL. 25) | SET MOTORWELLE (INKL. 25) | |
| 28 | 3112240 | 2 | CUSCINETTO | BEARING | ROUL. À BILLES | KUGELLAGER | |
| 29 | 3750280 | 1 | GUIDA PASSACAPO | MASSATHREAD GUIDE | GUIDE-FIL | LIPPKLAMPE | |
| 30 | 3724050 | 1 | GUARNIZIONE CARTERS | GASKET | JOINT | DICHTUNG ABDECKUNG | |
| 31 | 2432040 | 5 | DADO | NUT | ECROU | MUTTER | |
| 32 | 2123100 | 3 | VITE | SCREW | VIS | SCHRAUBE | |
| 33 | 3654050 | 2 | MOLLA AGGANCIAMENTO | SPRING | RESSORT | FEDER SPERRUNG | |
| 34 | 3749570 | 2 | AGGANCIAMENTO AVVIAMENTO | STARTER HOOK | FIXATION DÉMARREUR | SPERRE STARTER | |
| 35 | 8540810 | 1 | ASS. COPPA AVVIAMENTO (INCL.32-34) | STARTER CUP ASS.Y (INCL.32-34) | ENS.COUPÉ DÉMARREUR (INCL.32-34) | SCHWUNGRAD MAGNET (INKL.32-34) | |
| 36 | 2135180 | 1 | VITE | SCREW | VIS | SCHRAUBE | |
| 37 | 4563660 | 1 | CUFFIA COPRICILINDRO GIALLO | CYLINDER COVER ASS.Y YELLOW | COUVERCLE CYLINDRE JAUNE | MOTORABDECKUNG GELB | |
| 37 | 4563663 | 1 | CUFFIA COPRICILINDRO ROSSO | CYLINDER COVER ASS.Y RED | COUVERCLE CYLINDRE ROUGE | MOTORABDECKUNG ROT | |
| 38 | 4122120 | 1 | SILENZIATORE | MUFFLER | SILENCIEUX | SCHALLDÄMPFER | |
| 41 | 3724340 | 1 | GUARNIZIONE SILENZIATORE | MUFFLER GASKET | JOINT SILENCIEUX | DICHTUNG SCHALLDÄMPFER | |
| 42 | 3744850 | 1 | CAPPUCCIO CANDELA | SPARK PLUG COVER | CAPUCHON BOUGIE | ZÜNDKERZENKAPPE | |
| 43 | 3657530 | 1 | TERMINALE FILO CANDELA | SPARK PLUG SPRING | BORNE FIL BOUGIE | DRAHTENDE ZÜNDKERZE | |
| 44 | 3210024 | 1 | CANDELA | SPARK PLUG | BOUGIE | ZÜNDKERZE | |
| 45 | 2135150 | 2 | VITE | SCREW | VIS | SCHRAUBE | |
| 46 | 3724260 | 1 | GUARNIZIONE CILINDRO | CYLINDER GASKET | JOINT CYLINDRE | ZYLINDERDICHTUNG | |
| 47 | 3123150 | 1 | SEGMENTO X MOD. Ø 38 | PISTON RING X MOD. Ø 38 | SEGMENT X MOD. Ø 38 | KOLBENRING X MOD. Ø 38 | |
| 48 | 3158260 | 1 | SPINOTTO PISTONE | PISTON PIN | POINTEAU PISTON | KOLBENBOLZEN | |
| 49 | 3356050 | 2 | FERMO SPINOTTO | CIRCLIP | CIRCLIP | SPERRE BOLZEN | |
| 50 | 8541120 | 1 | ASS. PISTONE Ø 38 (INCL.26,47-49) | PISTON ASS.Y Ø 38 (INCL.26,47-49) | ENS.PISTON Ø 38 (INCL.26,47-49) | SET KOLBEN Ø 38 (INKL.26,47-49) | |
| 51 | 8541110 | 1 | ASS. CILINDRO PISTONE Ø 38 (INCL.50) | CYLINDER-PISTON ASS.Y Ø 38 (INCL.50) | ENS.CYLINDRE-PISTON Ø 38 (INCL.50) | SET ZYLINDER-KOLBEN Ø 38 (INKL.50) | |
| 52 | 4253290 | 1 | PESCANTE MIX | INTAKE FILTER | FILTRE D'ASPIRATION | TAUCHSONDE | |
| 53 | 8745541 | 1 | ASS. GOMMINO PASSA-TUBI | GROMMET ASS.Y | ENS.RONDELLE CAOUT-CHOU | SET GUMMIRINGE | |
| 54 | 8741370 | 1 | ASS. TAPPO MIX | FUEL CAP ASS.Y | ENS.BOUCHON MÉLANGE | DECKEL TREIBSTOFF-TANK | |
| 55 | 4252470 | 1 | ASS. SERBATOIO MIX (INCL.52-54) | FUEL TANK ASS.Y (INCL.52-54) | ENS.RÉSERVOIR MÉLANGE (INCL.52-54) | SET TREIBSTOFFTANK (INKL.52-54) | |
| 56 | 4122180 | 1 | FLANGIA SUPP. MOTORE FLEX | FLANGE (FLEX) | BRIDE MOTEUR (FLEX) | ANSAUGFLANSCH MOTOR (FLEX) | |
| 57 | 2330020 | 2 | GROWER | GROWER | RONDELLE GROWER | GROWER | |
| 58 | 2135010 | 2 | VITE | SCREW | VIS | SCHRAUBE | |
| 59 | 2330060 | 2 | RONDELLA (FLEX) | WASHER (FLEX) | RONDELLE (FLEX) | UNTERLEGSCHEIBE (FLEX) | |
| 60 | 2412180 | 1 | DADO (FLEX) | NUT (FLEX) | ECROU (FLEX) | MUTTERSCHRAUBE (FLEX) | |
| 61 | 2112310 | 2 | VITE | SCREW | VIS | SCHRAUBE | |
| 62 | 8724340 | 1 | SERIE GUARNIZIONI (INCL.30,41,46) | GASKET SET (INCL.30,41,46) | SÉRIE JOINTS (INCL.30,41,46) | SET DICHTUNGEN (INKL.30,41,46) | |
| 63 | 4612587 | 1 | FLANGIA SUPP. MOTORE RIGIDO | FLANGE | BRIDE MOTEUR | ANSAUGFLANSCH MOTOR | |



STAR

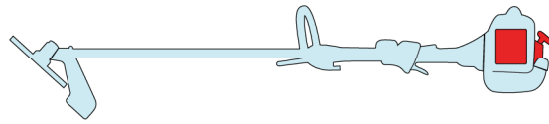
36

36D

41

41D

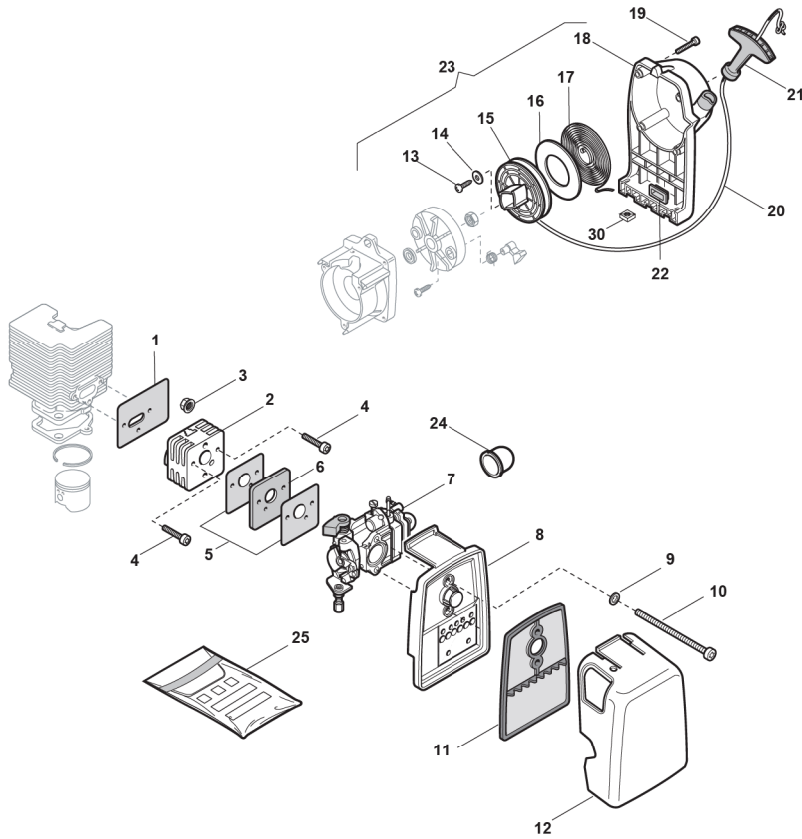
41F



2007

252.0

1 / 2





| N. | CODE | Q.TY | DESCRIZIONE | DESCRIPTION | DESCRIPTION | BESCHREIBUNG | REMARKS |
|----|-----------|------|---------------------------------|--------------------------------|---------------------------------|------------------------------|-----------------|
| 1 | 3724360 | 1 | GUARNIZ.COLLETT-CIL | INTAKE MANIF-GASKET | JOINT COLLECT.-CYL. | DICHT. KOLLEKT.-ZYL. | |
| 2 | 3750410 | 1 | COLLETTORE ASPIRA- ZIONE | INTAKE MANIFOLD | COLLECTEUR ASPIRA- TION | KOLLEKTOR ANSAUGUNG | |
| 3 | 2670280 | 2 | DADO | NUT | ECROU | MUTTER | |
| 4 | 2135050 | 2 | VITE | SCREW | VIS | SCHRAUBE | |
| 5 | 3724400 | 2 | GUARNIZ.COLLETTORE- CARB | INTAKE-CARB GASKET | JOINT COLLECT.-CARB. | DICHT. KOLLEKTOR- VERG. | |
| 6 | 3785070 | 1 | DISTANZIALE TERMICO | HEAT BLOCK | BLOCAGE THERMIQUE | THERMOISOLIERUNG | |
| 7 | 4353270/1 | 1 | CARBURATORE | CARBURETTOR | CARBURATEUR | VERGASER | Walbro WYJ 317A |
| 8 | 8750390 | 1 | SUPP. FILTRO ARIA GRIGIO | AIR FILTER HOLDER | SUPP. FILTRE À AIR | HALTER LUFTFILTER | |
| 9 | 2312090 | 3 | ROSETTA | WASHER | RONDELLE | SCHEIBE | |
| 10 | 2135250 | 2 | VITE | SCREW | VIS | SCHRAUBE | |
| 11 | 3781600 | 1 | FILTRO ARIA | AIR FILTER | FILTRE À AIR | LUFTFILTER | |
| 12 | 4563670 | 1 | COPRIFILTRO GIALLO | FILTER COVER YELLOW | COUVRE-FILTRE JAUNE | FILTERABD. GELB | |
| 12 | 4563673 | 1 | COPRIFILTRO ROSSO | FILTER COVER RED | COUVRE-FILTRE ROUGE | FILTERABD. ROT | |
| 13 | 2123100 | 3 | VITE | SCREW | VIS | SCHRAUBE | |
| 14 | 3613420 | 1 | ROSETTA | WASHER | RONDELLE | SCHEIBE | |
| 15 | 4562220 | 1 | PULEGGIA AVVIAMENTO | STARTER PULLEY | POULIE DÉMARRAGE | RIEMENSCHIEBE STAR- TER | |
| 16 | 3723640 | 1 | DISCO MOLLA AVV.TO | DISC | DISQUE | SCHEIBE FEDER STAR- TER | |
| 17 | 4611480 | 1 | MOLLA AVV.TO | SPRING | RESSORT | FEDER | |
| 18 | 8563650 | 1 | CARTER AVV.TO | STARTER RECOIL CASE | CARTER DÉMARREUR | STARTERGEHÄUSE | |
| 19 | 2135040 | 12 | VITE | SCREW | VIS | SCHRAUBE | |
| 20 | 3784030 | 1 | FUNE AVV.TO | STARTER CORD | CÂBLE DÉMARRAGE | SEIL STARTER | |
| 21 | 3750067 | 1 | IMPUGNATURA AVV.TO | STARTER HANDLE | POIGNÉE DÉMARRAGE | GRIFF STARTER | |
| 22 | 3745530 | 4 | GOMMINO SUPP. SER- BATOIO | GROMMET | RONDELLE CAOUT- CHOUC | GUMMIRING | |
| 23 | 4252680 | 1 | ASS. AVVIATORE (INCL. 13-22) | STARTER ASS.Y (INCL. 13-22) | ENS. DÉMARREUR (INCL. 13-22) | SET STARTER (INKL.13- 22) | |
| 24 | 3744870 | 1 | PRIMER | PRIMER | PRIMER | PRIMER | |
| 25 | 4353150 | 1 | KIT MEMB-GUARNIZ | GASKET-DIAPH.SET | KIT MEMBR.-JOINT | SET MEMB.-DICHT. | |
| 30 | 2461030 | 2 | DADO | NUT | ECROU | MUTTER | |



STAR

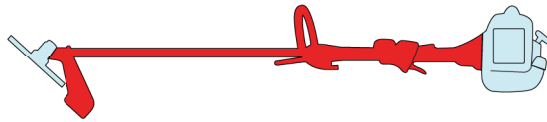
36

36D

41

41D

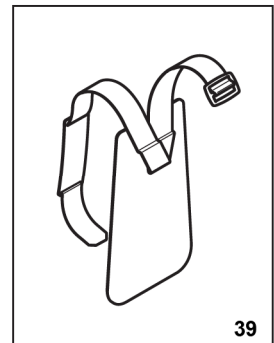
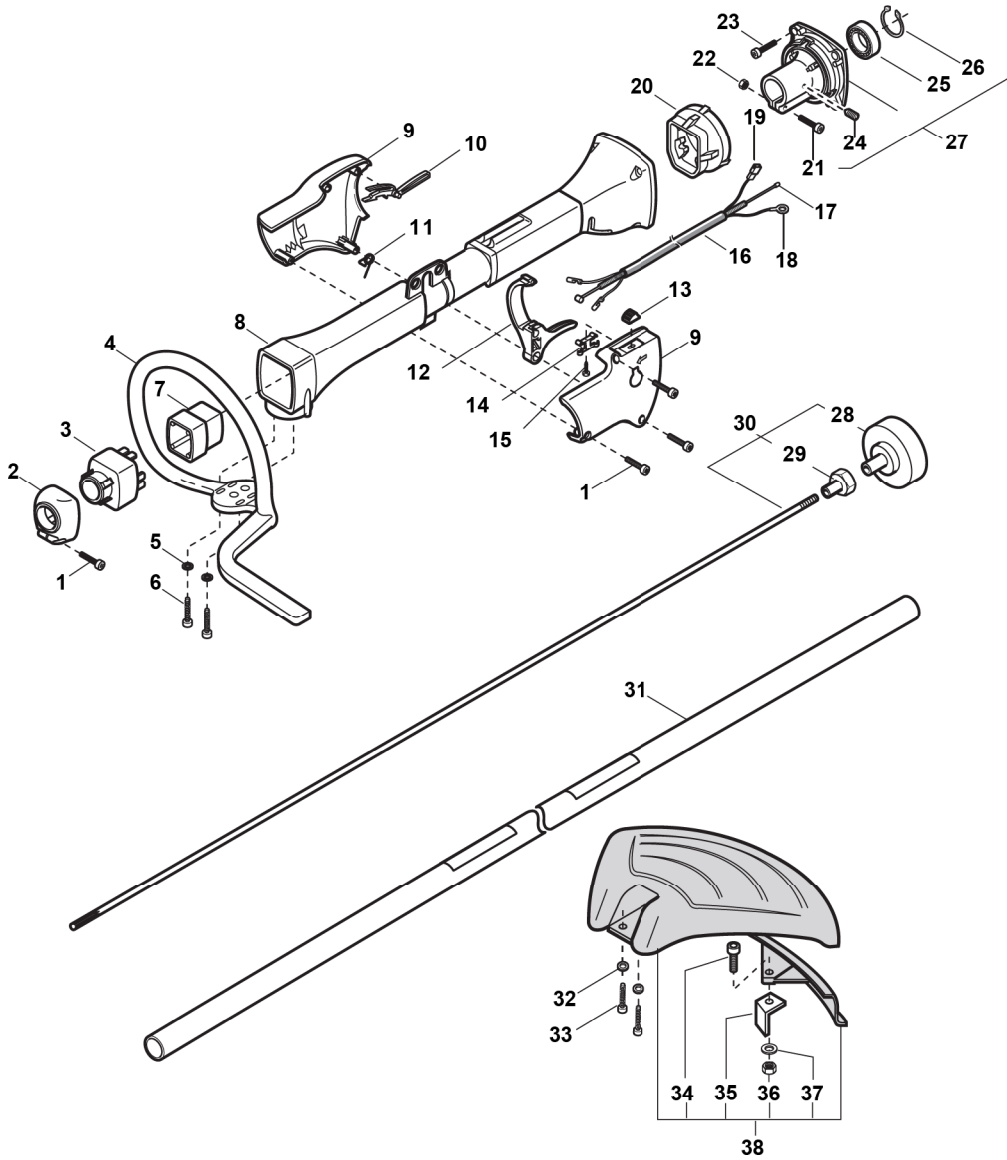
41F



2007

253.0

1 / 2





| N. | CODE | Q.TY | DESCRIZIONE | DESCRIPTION | DESCRIPTION | BESCHREIBUNG | REMARKS |
|----|-----------|------|--|---------------------------------------|--|----------------------------------|---------|
| 1 | 2123030 | 4 | VITE | SCREW | VIS | SCHRAUBE | |
| 2 | 3750330 | 1 | SUPPORTO ANTERIORE CARENATURA | FRONT HOUSING SUP- PORT | SUPPORT AVANT CARTER | HALTER VORDERGE- HÄUSE | |
| 3 | 3744290 | 1 | GOMMINO ANTIVIBRAN- TE ANTERIORE | FRONT SHOCK AB- SORBER | CAOUTCHOUC ANTI-VI- BRAT. AVANT | SCHWINGUNGSDÄMPFER | |
| 4 | 4563560 | 1 | IMPUGNATURA ANTE- RIORE | FRONT HANDLE | POIGNÉE AVANT | HANDGRIFF VORNE | |
| 5 | 2312150 | 2 | RONDELLA | WASHER | RONDELLE | UNTERLEGSCHIEBE | |
| 6 | 2123140 | 2 | VITE | SCREW | VIS | SCHRAUBE | |
| 7 | 3750340 | 1 | GHIERA RIDUZIONE ANTERIORE | FRONT STEP-DOWN SPACER | BAGUE RÉDUCTION AVANT | VORDERER REDUZIER- RING | |
| 8 | 4563531 | 1 | CARENATURA | TRANSMISSION HOUS- ING | CARTER TRANSMISSION | GEHÄUSE | |
| 9 | 8563540 | 1 | COPPIA GUSCI IMPUGNA- TURE | HANDGRIP HOUSING COUPLE | PAIRE PROTECT. POI- GNÉES | PAAR HANDGRIFFHÜL- SEN | |
| 10 | 3743630 | 1 | LEVA SICUREZZA | SAFETY LEVER | LEVIER DE SÉCURITÉ | SICHERHEITSEBEL | |
| 11 | 3654490 | 1 | MOLLA LEVA ACCELERA- TORE | SPRING | RESSORT | FEDER GASHEBEL | |
| 12 | 3743620 | 1 | LEVA ACCELERATORE | THROTTLE LEVER | LEVIER ACCÉLÉRATEUR | GASHEBEL | |
| 13 | 3749270 | 1 | POMELLO DI STOP | STOP KNOB | BOUTON D'ARRÊT | STOP-SCHALTER | |
| 14 | 3612710 | 1 | LAMIERINO DI STOP | STOP PLATE | PLAQUE D'ARRÊT | STOP-PLÄTTCHEN | |
| 15 | 2123070 | 1 | VITE | SCREW | VIS | SCHRAUBE | |
| 16 | 3786200/1 | 1 | GUAINA PROTEZIONE CAVI | WIRE SHEATH | GAINÉ CÂBLES | KABELMANTEL | |
| 17 | 4252450 | 1 | CAVO ACCELERATORE | WIRE ASS.Y | CÂBLE ACCÉLÉR. | STARTERKABEL | |
| 18 | 3211120 | 1 | CAVO MASSA (NERO) | EARTH CABLE (BLACK) | CÂBLE MASSE (NOIR) | ERDUNGSKABEL (SCHWARZ) | |
| 19 | 3211490 | 1 | CAVO BOBINA-INTER- RUTTORE (ROSSO) | COIL-SWITCH CABLE (RED) | CÂBLE BOBINE-INTER. (ROUGE) | SPULENDRAHT-SCHAL- TER (ROT) | |
| 20 | 3744300 | 1 | GOMMINO ANTIVIBRAN- TE POSTERIORE | REAR SHOCK ABSORB- ER | CAOUTCHOUC ANTI-VI- BRAT. ARRIÈRE | SCHWINGUNGSDÄMPFER | |
| 21 | 2135150 | 1 | VITE | SCREW | VIS | SCHRAUBE | |
| 22 | 2432030 | 1 | DADO | NUT | ECROU | MUTTER | |
| 23 | 2135160 | 4 | VITE | SCREW | VIS | SCHRAUBE | |
| 24 | 2126050 | 1 | VITE | SCREW | VIS | SCHRAUBE | |
| 25 | 3112170 | 1 | CUSCINETTO | BEARING | ROUL. À BILLES | KUGELLAGER | |
| 26 | 3353080 | 1 | ANELLO SEEGER | RING | CIRCLIP | RING | |
| 27 | 8520990/2 | 1 | ASS. MOZZO TRASM. Ø26 (INCL. 24-26) | TRANSM. HUB ASS.Y Ø26 (INCL.24-26) | ENS.MOYEU TRANSM. Ø26 (INCL. 24-26) | ANTRIEBSNABE Ø26 (INKL.24-26) | |
| 28 | 4121861/1 | 1 | CAMPANA FRIZIONE | CLUTCH DRUM | CLOCHE EMBRAYAGE | KUPPLUNGSGLOCKE | |
| 29 | 3642191 | 1 | MOZZO CUSCINETTO | BEARING HUB | MOYEU ROULEMENT | LAGERNABE | |
| 30 | 4251400 | 1 | ALBERO TRASMISSIONE (INCL.28-29) | TRANSMISSION SHAFT (INCL.28-29) | ARBRE TRANSMISSION (INCL.28-29) | MOTORWELLE (INKL.28- 29) | |
| 31 | 4251204 | 1 | ASS. TUBO TRASMISSIO- NE Ø26 | TRANSMISSION PIPE ASS.Y | ENS.TUBE TRANSM. | SET ROHR PULSE | |
| 32 | 2312150 | 2 | RONDELLA | WASHER | RONDELLE | UNTERLEGSCHIEBE | |
| 33 | 2135060 | 2 | VITE | SCREW | VIS | SCHRAUBE | |
| 34 | 2135030 | 1 | VITE | SCREW | VIS | SCHRAUBE | |
| 35 | 3615000 | 1 | LAMIERINO TAGLIAFILO | LINE CUTTER | COUPE-FIL | DRAHTSCHERENBLECH | |
| 36 | 2432040 | 1 | DADO | NUT | ECROU | MUTTER | |
| 37 | 2312150 | 1 | RONDELLA | WASHER | RONDELLE | UNTERLEGSCHIEBE | |
| 38 | 8563570 | 1 | ASS. PARASPRUZZI (INCL. 34-37) | SAFETY COVER ASS.Y (INCL.34-37) | ENS. CAPOT ANTI-PRO- JECTIONS (INCL. 34-37) | SET SPRITZSCHUTZ (INKL.34-37) | |
| 39 | 4253460 | 1 | BRETELLA | HARNESS | HARNAIS | GURTZEUG | |



STAR

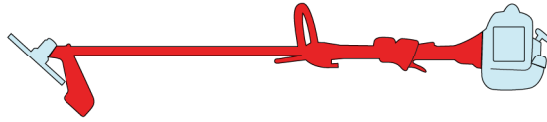
36

36D

41

41D

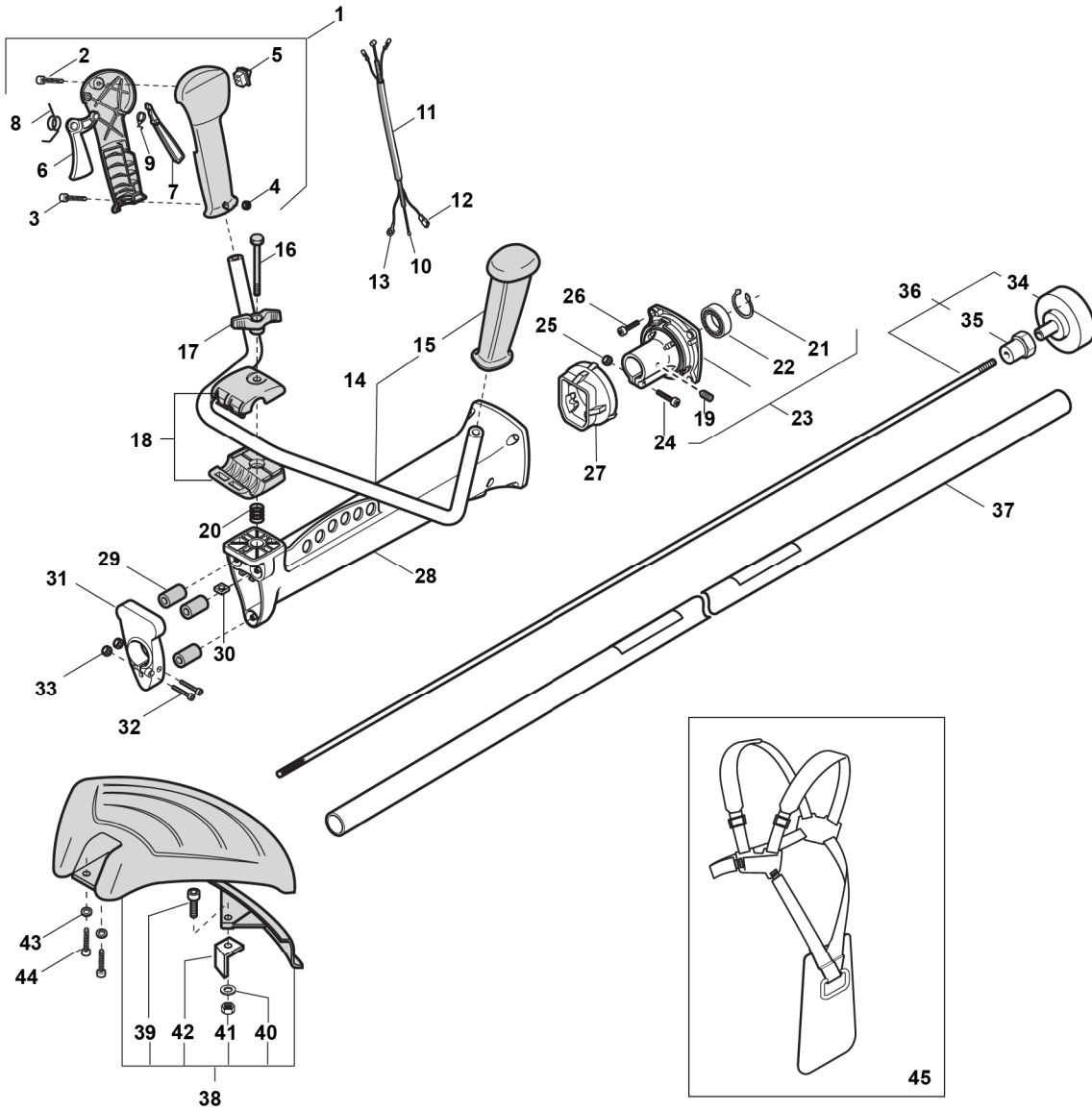
41F



2007

253a.0

1 / 2





| N. | CODE | Q.TY | DESCRIZIONE | DESCRIPTION | DESCRIPTION | BESCHREIBUNG | REMARKS |
|----|------------|------|---------------------------------------|---------------------------------|--|---------------------------------|---------|
| 1 | 8563830 | 1 | ASS. IMPUGNATURA (INCL.2-9) | HANDLE ASS.Y (INCL.2-9) | ENS.POIGNÉE (INCL.2-9) | SET HANDGRIFF (INCL.2-9) | |
| 2 | 2123030 | 1 | VITE | SCREW | VIS | SCHRAUBE | |
| 3 | 2135050 | 1 | VITE | SCREW | VIS | SCHRAUBE | |
| 4 | 12154330/0 | 1 | DADO | NUT | ECROU | MUTTER | |
| 5 | 3210970 | 1 | INTERRUTTORE STOP | STOP SWITCH | INTERRUPTEUR D'ARRÊT | STOP-SCHALTER | |
| 6 | 3743431/1 | 1 | LEVA ACCELERATORE | THROTTLE LEVER | LEVIER ACCÉLÉRATEUR | GASHEBEL | |
| 7 | 3743441 | 1 | LEVA DI SICUREZZA | SAFETY LEVER | LEVIER DE SÉCURITÉ | SICHERHEITSHEBEL | |
| 8 | 3654270/1 | 1 | MOLLA LEVA ACCELERATORE | SPRING | RESSORT | FEDER GASHEBEL | |
| 9 | 3654280/1 | 1 | MOLLA LEVA DI SICUREZZA | SPRING | RESSORT | FEDER SICHERHEITSHEBEL | |
| 10 | 4252570 | 1 | CAVO ACCELERATORE | WIRE ASS.Y | CÂBLE ACCÉLÉR. | STARTERKABEL | |
| 11 | 3786220 | 1 | GUAINA CAVI | WIRE SHEATH | GAINE CÂBLES | KABELMANTEL | |
| 12 | 3211590 | 1 | CAVO BOBINA-INTERRUTTORE (ROSSO) | COIL-SWITCH CABLE (RED) | CÂBLE BOBINE-INTERRUPT. (ROUGE) | SPULENDRAHT-SCHALTER (ROT) | |
| 13 | 3211600/1 | 1 | CAVO MASSA (NERO) | EARTH CABLE (BLACK) | CÂBLE MASSE (NOIR) | ERDUNGSKABEL (SCHWARZ) | |
| 14 | 4252840/1 | 1 | MANUBRIO C/MANOPO-LA SX. | HANDLE | GUIDON | HANDGRIFF | |
| 15 | 3744860/1 | 1 | IMPUGNATURA SX | LEFT KNOB | POIGNÉE GAUCHE | HANDGRIFF LINKS | |
| 16 | 2112580 | 1 | VITE | SCREW | VIS | SCHRAUBE | |
| 17 | 3750480 | 1 | GALLETTO | WING NUT | ECROU À OREILLES | FLÜGELMUTTER | |
| 18 | 8521070 | 1 | ASS. SUPPORTO IMPUGNATURA | HANDGRIP SUPPORT ASS.Y | ENS.SUPPORT POIGNÉE | SET HANDGRIFFHALTER | |
| 19 | 2126050 | 1 | VITE | SCREW | VIS | SCHRAUBE | |
| 20 | 3654530 | 1 | MOLLA | SPRING | RESSORT | FEDER | |
| 21 | 3353080 | 1 | ANELLO SEEGER | RING | CIRCLIP | RING | |
| 22 | 3112170 | 1 | CUSCINETTO | BEARING | ROUL. À BILLES | KUGELLAGER | |
| 23 | 8520990/2 | 1 | ASS.MOZZO TRASM. Ø 26 (INCL.19,21,22) | TRANSMISSION HUB ASS.Y Ø 26 | ENS.MOYEU TRANSM. Ø 26 | ANTRIEBSNABE Ø 26 | |
| 24 | 2135150 | 1 | VITE | SCREW | VIS | SCHRAUBE | |
| 25 | 2432030 | 1 | DADO | NUT | ECROU | MUTTER | |
| 26 | 2135160 | 4 | VITE | SCREW | VIS | SCHRAUBE | |
| 27 | 3744330 | 1 | GOMMINO ANTIVIB. POSTERIORE | REAR SHOCK ABSORBER | CAOUTCHOUC ANTI-VIBRAT. ARRIÈRE | SCHWINGUNGSDÄMPFER | |
| 28 | 4563850/2 | 1 | CARENATURA | TRANSMISSION HOUSING | TRANSMISSION CARÉNÉE | GEHÄUSE | |
| 29 | 3744320 | 3 | GOMMINO ANTIVIB. ANTERIORE | FRONT SHOCK ABSORBER | CAOUTCHOUC ANTI-VIBRAT AVANT | SCHWINGUNGSDÄMPFER | |
| 30 | 3615190 | 1 | PIASTRINA FISSAGGIO MANUBRIO | HANDLE FIXING PLATE | PLAQUE FIXATION GUIDON | HANDGRIFF-BEFESTIGUNGSPLÄTTCHEN | |
| 31 | 4563860 | 1 | SUPP. ANT. CARENATURA Ø 26 | FRONT HOUSING SUP-PORT Ø 26 | SUPP. AVANT CARÉNÉ Ø 26 | VORD. HALTER F. GEHÄUSE Ø 26 | |
| 32 | 2135060 | 2 | VITE | SCREW | VIS | SCHRAUBE | |
| 33 | 12154330/0 | 2 | DADO | NUT | ECROU | MUTTER | |
| 34 | 4121861/1 | 1 | CAMPANA FRIZIONE | CLUTCH | CLOCHE EMBRAYAGE | KUPPLUNGSGLOCKE | |
| 35 | 3642191 | 1 | MOZZO CUSCINETTO | BEARING HUB | MOYEU ROULEMENT | LAGERNABE | |
| 36 | 4251400 | 1 | ALBERO TRASMISSIONE (INCL.34,35) | TRANSMISSION SHAFT (INCL.34,35) | ARBRE TRANSMISSION (INCL.34,35) | MOTORWELLE (INCL.34,35) | |
| 37 | 4251204 | 1 | ASS. TUBO TRASMISS. Ø 26 | TRANSMISSION PIPE ASS.Y Ø 26 | ENS.TUBE TRANSM. Ø 26 | SET ROHR PULSE Ø 26 | |
| 38 | 8563570 | 1 | ASS. PARASPRUZZI (INCL.39-42) | SAFETY COVER ASS.Y (INCL.39-42) | ENS. CAPOT ANTI-PROJECTIONS (INCL.39-42) | SET SPRITZSCHUTZ (INCL.39-42) | |
| 39 | 2135030 | 1 | VITE | SCREW | VIS | SCHRAUBE | |
| 40 | 2312150 | 1 | ROSETTA | WASHER | RONDELLE | SCHEIBE | |
| 41 | 2432040 | 1 | DADO | NUT | ECROU | MUTTER | |
| 42 | 3615000 | 1 | LAMIERINO TAGLIAFILO | LINE CUTTER | COUPE-FIL | DRAHTSCHERENBLECH | |
| 43 | 2312150 | 2 | ROSETTA | WASHER | RONDELLE | SCHEIBE | |
| 44 | 2135060 | 2 | VITE | SCREW | VIS | SCHRAUBE | |
| 45 | 4253440 | 1 | BRETELLA PROFI | HARNESS | HARNAIS | GURTZEUG | |



STAR

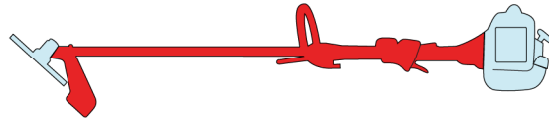
36

36D

41

41D

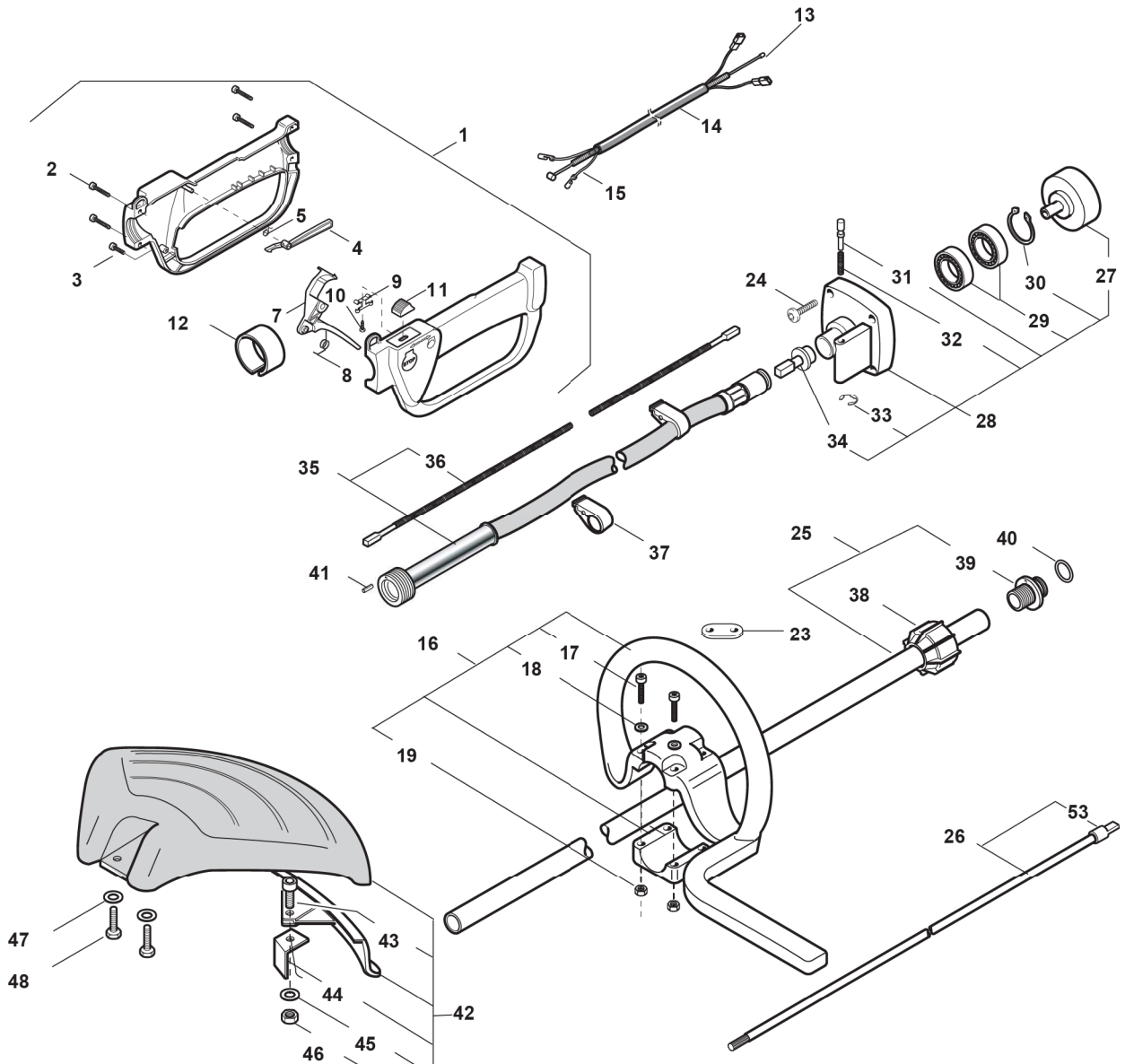
41F



2007

253b.0

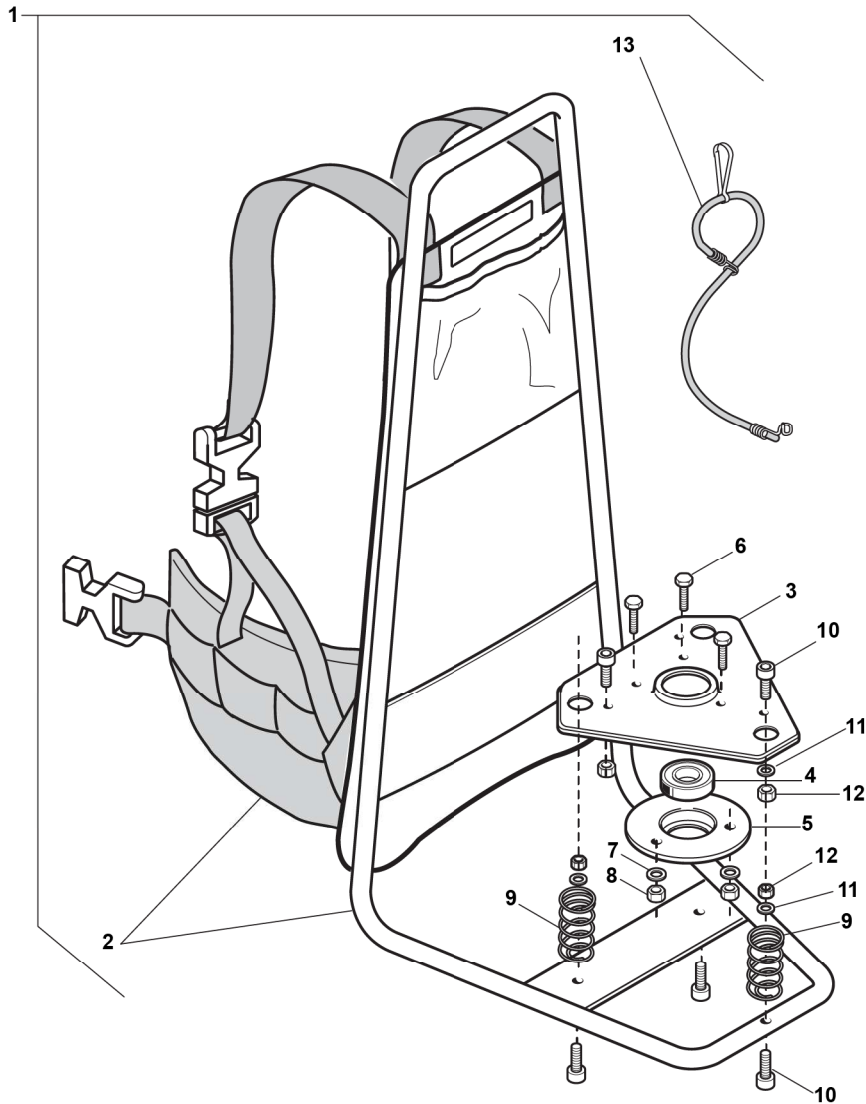
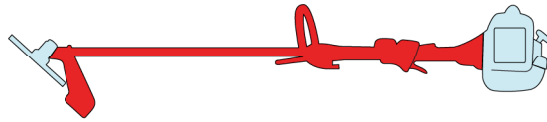
1 / 2





| N. | CODE | Q.TY | DESCRIZIONE | DESCRIPTION | DESCRIPTION | BESCHREIBUNG | REMARKS |
|----|------------|------|---|---------------------------------|--|-----------------------------------|---------|
| 1 | 8562620/1 | 1 | ASS. IMPUGNATURA POST. (INCL.2-12) | HANDLE ASS.Y (INCL.2-12) | ENS.POIGNÉE (INCL.2-12) | SET HANDGRIFF HINTEN (INCL.2-12) | |
| 2 | 2123030 | 4 | VITE | SCREW | VIS | SCHRAUBE | |
| 3 | 2123100 | 2 | VITE | SCREW | VIS | SCHRAUBE | |
| 4 | 3743475 | 1 | LEVA DI SICUREZZA | SAFETY LEVER | LEVIER DE SÉCURITÉ | SICHERHEITSHEBEL | |
| 5 | 3654300 | 1 | MOLLA LEVA DI SICUREZZA | SPRING | RESSORT | FEDER SICHERHEITSHEBEL | |
| 7 | 3743465 | 1 | LEVA ACCELERATORE | THROTTLE LEVER | LEVIER ACCÉLÉRATEUR | GASHEBEL | |
| 8 | 3654270/1 | 1 | MOLLA LEVA ACCELERATORE | SPRING | RESSORT | FEDER GASHEBEL | |
| 9 | 3612710 | 1 | LAMIERINO DI STOP | STOP PLATE | PLAQUE D'ARRÊT | STOP-PLÄTTCHEN | |
| 10 | 2123070 | 1 | VITE | SCREW | VIS | SCHRAUBE | |
| 11 | 3749270 | 1 | POMELLO DI STOP | STOP KNOB | BOUTON D'ARRÊT | STOP-SCHALTER | |
| 12 | 3750290 | 2 | RIDUZIONE | REDUCTION | RÉDUCTION | REDUZIERSTÜCK | |
| 13 | 23066004/0 | 1 | CAVO ACCELERATORE | WIRE ASS.Y | CÂBLE ACCÉLÉR. | STARTERKABEL | |
| 14 | 3782680 | 1 | GUAINA CAVI | WIRE SHEATH | GAINÉ CÂBLES | KABELMANTEL | |
| 15 | 8211390 | 1 | COPPIA CAVI STOP | STOP CABLE COUPLE | PAIRE CÂBLES ARRÊT | KABELPAARSTOP | |
| 16 | 8563600 | 1 | ASS. IMPUGNATURA ANT. (INCL.17-19) | FRONT HANDLE ASS.Y (INCL.17-19) | ENS.POIGNÉE AVANT (INCL.17-19) | SET HANDGRIFF VORNE (INCL.17-19) | |
| 17 | 2135050 | 4 | VITE | SCREW | VIS | SCHRAUBE | |
| 18 | 2312090 | 4 | ROSETTA | WASHER | RONDELLE | SCHEIBE | |
| 19 | 2412030 | 4 | DADO | NUT | ECROU | MUTTER | |
| 23 | 3614980 | 1 | ASOLA IMPUGNATURA X CORDA ELASTICA | HANDLE-HOLE FOR ELASTIC CORD | ŒILLET POIGNÉE POUR CORDE ÉLASTIQUE | HANDGRIFFÖSE X ELASTISCHES SEIL | |
| 24 | 2135160 | 4 | VITE | SCREW | VIS | SCHRAUBE | |
| 25 | 4252390 | 1 | ASS. TUBO TRASMISSIONE (INCL.39) | TRANSM. PIPE ASS.Y (INCL.39) | ENS.TUBE TRANSM. (INCL.39) | SET ROHR PULSE (INCL.39) | |
| 26 | 8630150 | 1 | ASS.ALBERO TRASMISSIONE (INCL.53) | TRANSM.SHAFT ASS.Y (INCL.53) | ENS.ARBRE TRANSM. (INCL.53) | SET MOTORWELLE (INCL.53) | |
| 27 | 4121861/1 | 1 | CAMPANA FRIZIONE | CLUTCH DRUM | CLOCHE EMBRAYAGE | KUPLUNGSGLOCKE | |
| 28 | 8540910 | 1 | ASS.SUPPORTO TRASMISSIONE (INCL.27,29-34) | SUPPORT TRANSM. (INCL.27,29-34) | SUPP. TRANSM. (INCL.27,29-34) | GETRIEBEPLATTFORM (INCL.27,29-34) | |
| 29 | 3112170 | 2 | CUSCINETTO | BEARING | ROUL. À BILLES | KUGELLAGER | |
| 30 | 3353080 | 1 | ANELLO SEEGER | RING | CIRCLIP | RING | |
| 31 | 3642420 | 1 | PERNO | PIN | TOURILLON | STIFT | |
| 32 | 3654170 | 1 | MOLLA | SPRING | RESSORT | FEDER | |
| 33 | 3351050 | 1 | FERMO | RETAINER | BUTOIR | SPERRUNG | |
| 34 | 3642430 | 1 | MOZZO | HUB | MOYEU | NABE | |
| 35 | 4122110/1 | 1 | ASS.ALBERO FLEX C/GUAINA J (INCL.36) | FLEX SHAFT ASS.Y J (INCL.36) | ENS.ARBRE FLEX J (INCL.36) | FLEX WELLENEINHEIT J (INCL.36) | |
| 36 | 4253990/1 | 1 | ALBERO FLESSIBILE J | FLEXIBLE SHAFT J | ARBRE FLEXIBLE J | BIEGSAME WELLE J | |
| 37 | 3749310 | 2 | FASCETTA FERMACAVI | CLIP | COLLIER | KABELKLEMME | |
| 38 | 3750270 | 1 | GHIERA FISSAGGIO IMPUGNATURA | PLATE FOR HANDLE FIXING | VIROLE FIXATION POIGNÉE | RING GRIFFBEFESTIGUNG | |
| 39 | 3643220 | 1 | MANICOTTO FILETTATO X FLEX Ø28 | FLEX THREADED COUPLING Ø28 | MANCHON FILETÉ POUR FLEX Ø28 | FLEX GEWINDEMUFFE Ø28 | |
| 40 | 3721540 | 1 | ANELLO OR | OR RING | JOINT OR | OR-DICHTUNG | |
| 41 | 3314040 | 1 | SPINA DI CENTRAGGIO | CENTRING PIN | GOUPILLE DE CENTRAGE | ZENTRIERSTIFT | |
| 42 | 8563570 | 1 | ASS.PARASPRUZZI (INCL.43-46) | SAFETY COVER ASS.Y (INCL.43-46) | ENS. CAPOT ANTI-PROJECTIONS (INCL.43-46) | SPRITZSCHUTZ (INCL.43-46) | |
| 43 | 2135030 | 1 | VITE | SCREW | VIS | SCHRAUBE | |
| 44 | 3615000 | 1 | LAMIERINO TAGLIAFILO | LINE CUTTER | COUPE-FIL | DRAHTSCHERENBLECH | |
| 45 | 2312150 | 1 | ROSETTA | WASHER | RONDELLE | SCHEIBE | |
| 46 | 2432040 | 1 | DADO | NUT | ECROU | MUTTER | |
| 47 | 2312150 | 2 | ROSETTA | WASHER | RONDELLE | SCHEIBE | |
| 48 | 2135060 | 2 | VITE | SCREW | VIS | SCHRAUBE | |
| 53 | 3642290 | 1 | RACCORDO INNESTO FLEX Ø28 | FLEX JOINT Ø28 | RACCORD FLEX Ø28 | DEHNBARER ANSCHLUSS Ø28 | |





| N. | CODE | Q.TY | DESCRIZIONE | DESCRIPTION | DESCRIPTION | BESCHREIBUNG | REMARKS |
|----|---------|------|------------------------------|----------------------------------|----------------------------------|-----------------------------|---------|
| 1 | 4252360 | 1 | ASS.ZAINO (INCL. 2-13) | KNAP SACK (INCL. 2-13) | SAC À DOS (INCL. 2-13) | RUCKSACK (INKL. 2-13) | |
| 2 | 8122080 | 1 | ASS. TELAIO ZAINO C/BRETELLE | KNAP SACK FRAME ASS. Y W/HARNESS | STRUCT. SAC À DOS AVEC BRETELLES | RAHMEN RUCKSACK M. GURTZEUG | |
| 3 | 4612280 | 1 | PIASTRA SUPPORTO MOTORE | ENGINE SUPPORT | SUPPORT MOTEUR | MOTORSTÜTZPLATTE | |
| 4 | 3112170 | 1 | CUSCINETTO | BEARING | ROUL. À BILLES | KUGELLAGER | |
| 5 | 4612020 | 1 | FLANGIA CUSCINETTO | BEARING FLANGE | BRIDE ROULEMENT | LAGERFLANSCH | |
| 6 | 2112260 | 3 | VITE | SCREW | VIS | SCHRAUBE | |
| 7 | 2312090 | 3 | ROSETTA | WASHER | RONDELLE | SCHEIBE | |
| 8 | 2432040 | 3 | DADO | NUT | ECROU | MUTTER | |
| 9 | 3654360 | 3 | MOLLA ANTIVIB.ZAINO | SPRING | RESSORT | FEDER | |
| 10 | 2132110 | 6 | VITE | SCREW | VIS | SCHRAUBE | |
| 11 | 2312130 | 6 | ROSETTA | WASHER | RONDELLE | SCHEIBE | |
| 12 | 2432030 | 6 | DADO | NUT | ECROU | MUTTER | |
| 13 | 4252430 | 1 | CORDA ELASTICA | ELASTIC CORD | CORDE ÉLASTIQUE | ELASTISCHES SEIL | |



STAR

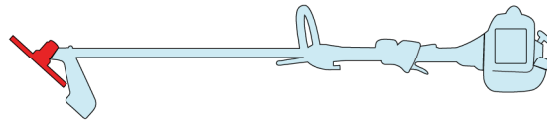
36

36D

41

41D

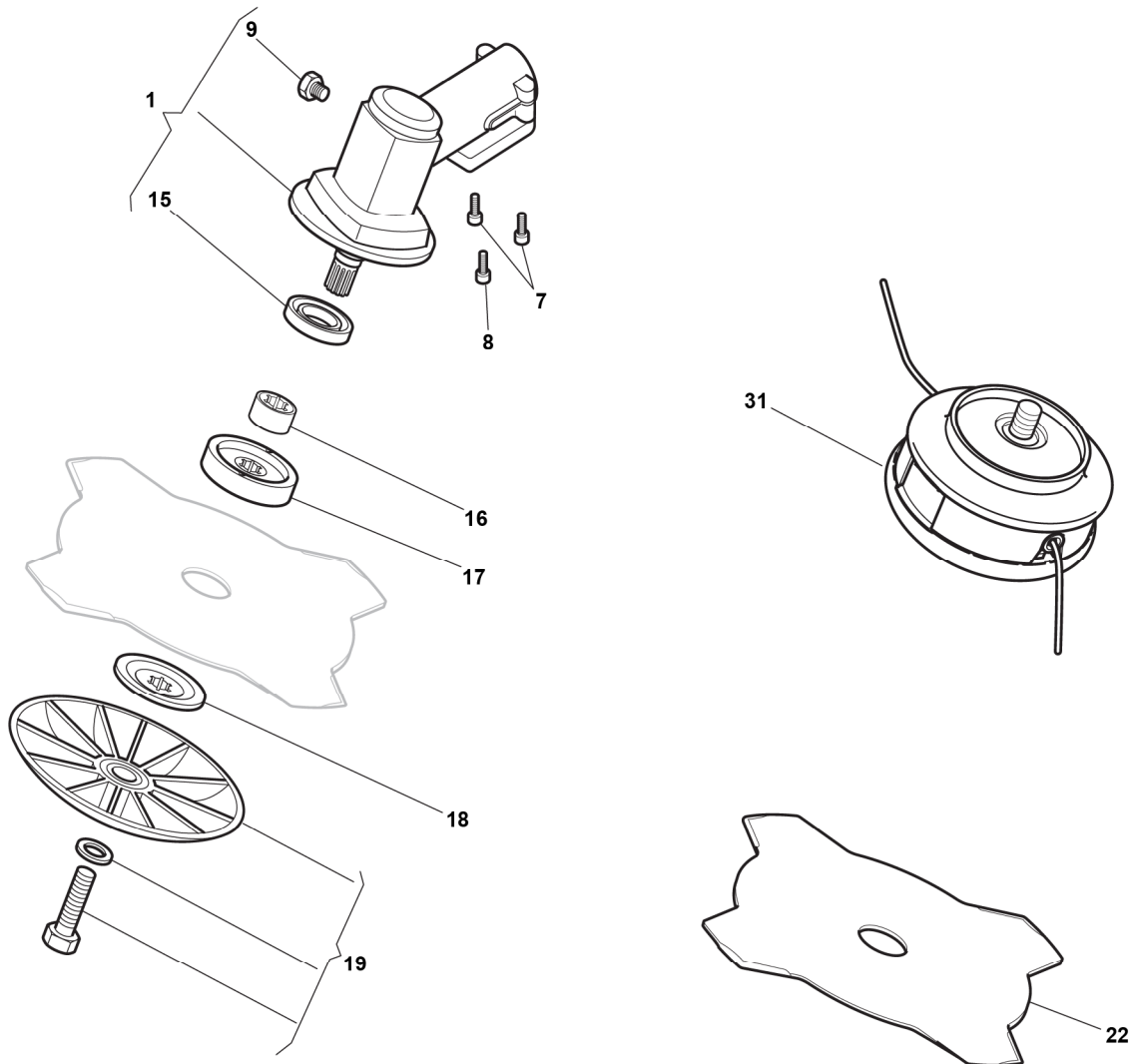
41F



2007

255.0

1 / 1

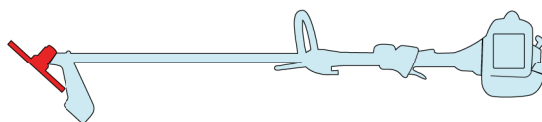


| N. | CODE | Q.TY | DESCRIZIONE | DESCRIPTION | DESCRIPTION | BESCHREIBUNG | REMARKS |
|----|-----------|------|------------------------------|----------------------|--------------------------|---------------------------|---------|
| 1 | 4252780/1 | 1 | ASS.TESTINA INGRANAGGI Ø26MM | GEAR CASE ASSY Ø26MM | ENS. BOÎTE ENGREN. Ø26MM | SET ZAHNRADGETRIEBE Ø26MM | |
| 7 | 2135050 | 2 | VITE | SCREW | VIS | SCHRAUBE | |
| 8 | 2653090 | 1 | VITE | SCREW | VIS | SCHRAUBE | |
| 9 | 2653460 | 1 | VITE | SCREW | VIS | SCHRAUBE | |
| 15 | 3121170 | 1 | ANELLO DI TENUTA | SEAL RING | ANNEAU DE TENUE | DICHRING | |
| 16 | 3641700/1 | 1 | COLLARE | COLLAR | COLLIER | STELLRING | |
| 17 | 3641640 | 1 | GHIERA SUPERIORE | UPPER RING NUT | BAGUE SUPÉRIEURE | OBERER RINGBOLZEN | |
| 18 | 3612640 | 1 | GHIERA INFERIORE | LOWER RING NUT | BAGUE INFÉRIEURE | UNTERER RINGBOLZEN | |
| 19 | 4560610 | 1 | COPPA FISSA | STABILIZER | STABILISATEUR | STABILISATOR | |
| 20 | 2321230 | 1 | ROSETTA | WASHER | RONDELLE | SCHEIBE | |
| 21 | 2653170 | 1 | VITE | SCREW | VIS | SCHRAUBE | |
| 22 | 4611880 | 1 | DISCO 4 PUNTE 25 CM | 4 TEETH DISC 25 CM | LAME À 4 DENTS 25 CM | SCHEIBE / 4 ZÄHNE 25 CM | |
| 31 | 4353240/1 | 1 | TESTINA 2 FILI TAP & GO | 2 HEDGES NYLON HEAD | TÊTE À 2 FILS NYLON | 2 DRAHTSCHEIBE | |



STAR

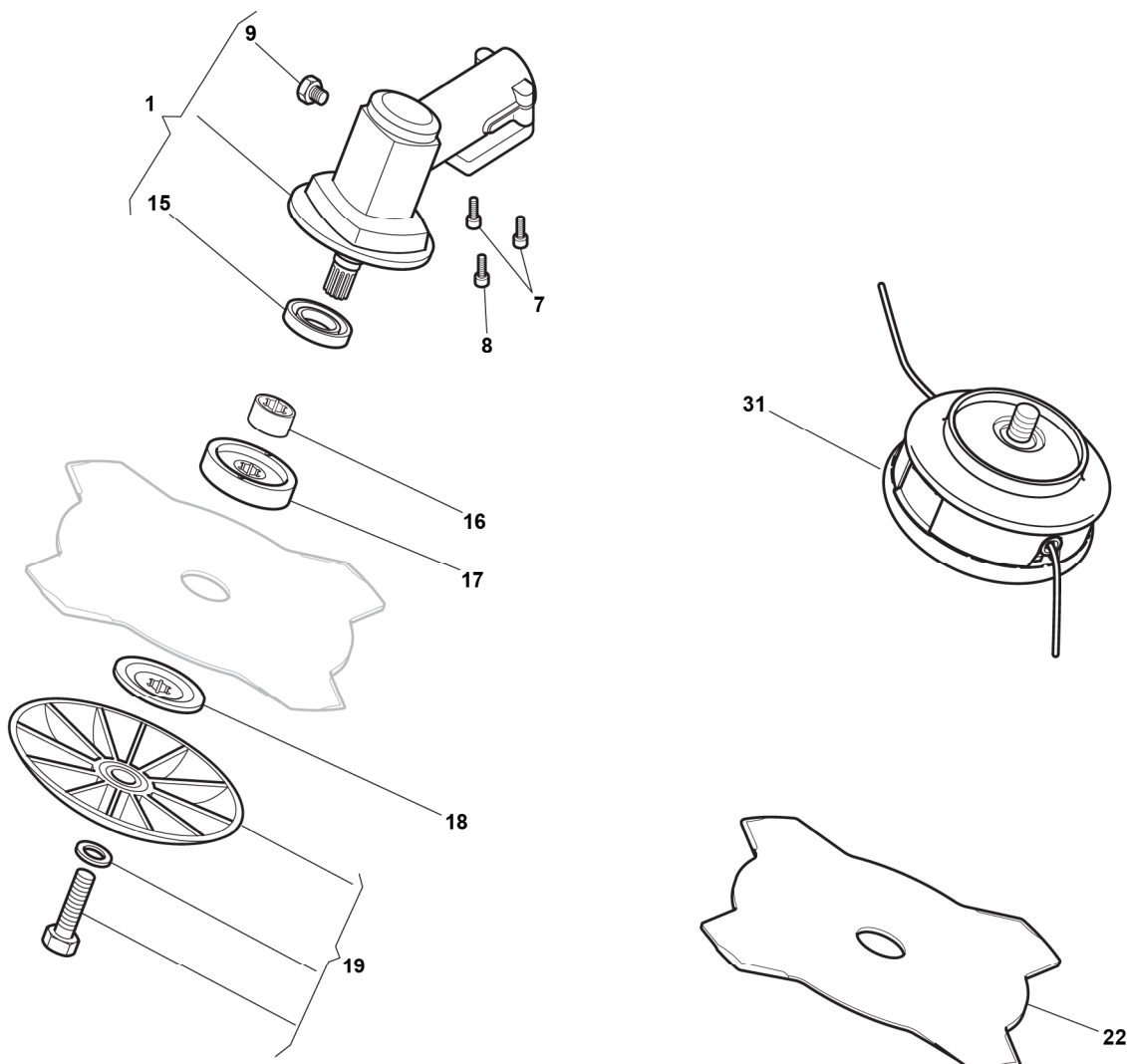
36 36D 41 41D 41F



2007

255a.0

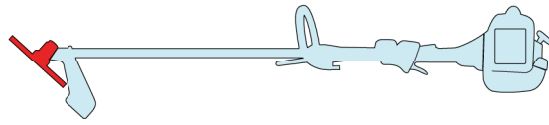
1 / 1



| N. | CODE | Q.TY | DESCRIZIONE | DESCRIPTION | DESCRIPTION | BESCHREIBUNG | REMARKS |
|----|-----------|------|-------------------------|---------------------|-----------------------|-------------------------|---------|
| 1 | 4252790/1 | 1 | ASS.TESTINA Ø28MM | GEAR CASE ASSY Ø28 | ENS.BOÎTE ENGREN. Ø28 | SET ZAHNRADGETRIEBE Ø28 | |
| 7 | 2135050 | 2 | VITE | SCREW | VIS | SCHRAUBE | |
| 8 | 2653090 | 1 | VITE | SCREW | VIS | SCHRAUBE | |
| 9 | 2653460 | 1 | VITE | SCREW | VIS | SCHRAUBE | |
| 15 | 3121170 | 1 | ANELLO DI TENUTA | SEAL RING | ANNEAU DE TENUE | DICHTRING | |
| 16 | 3641700/1 | 1 | COLLARE | COLLAR | COLLIER | STELLRING | |
| 17 | 3641640 | 1 | GHIERA SUPERIORE | UPPER RING NUT | BAGUE SUPÉRIEURE | OBERER RINGBOLZEN | |
| 18 | 3612640 | 1 | GHIERA INFERIORE | LOWER RING NUT | BAGUE INFÉRIEURE | UNTERER RINGBOLZEN | |
| 19 | 4560610 | 1 | COPPA FISSA | STABILIZER | STABILISATEUR | STABILISATOR | |
| 20 | 2321230 | 1 | ROSETTA | WASHER | RONDELLE | SCHEIBE | |
| 21 | 2653170 | 1 | VITE | SCREW | VIS | SCHRAUBE | |
| 22 | 4611880 | 1 | DISCO 4 PUNTE 25 CM | 4 TEETH DISC 25 CM | LAME À 4 DENTS 25 CM | SCHEIBE / 4 ZÄHNE 25 CM | |
| 31 | 4353240/1 | 1 | TESTINA 2 FILI TAP & GO | 2 HEDGES NYLON HEAD | TÊTE À 2 FILS NYLON | 2 DRAHTSCHEIBE | |



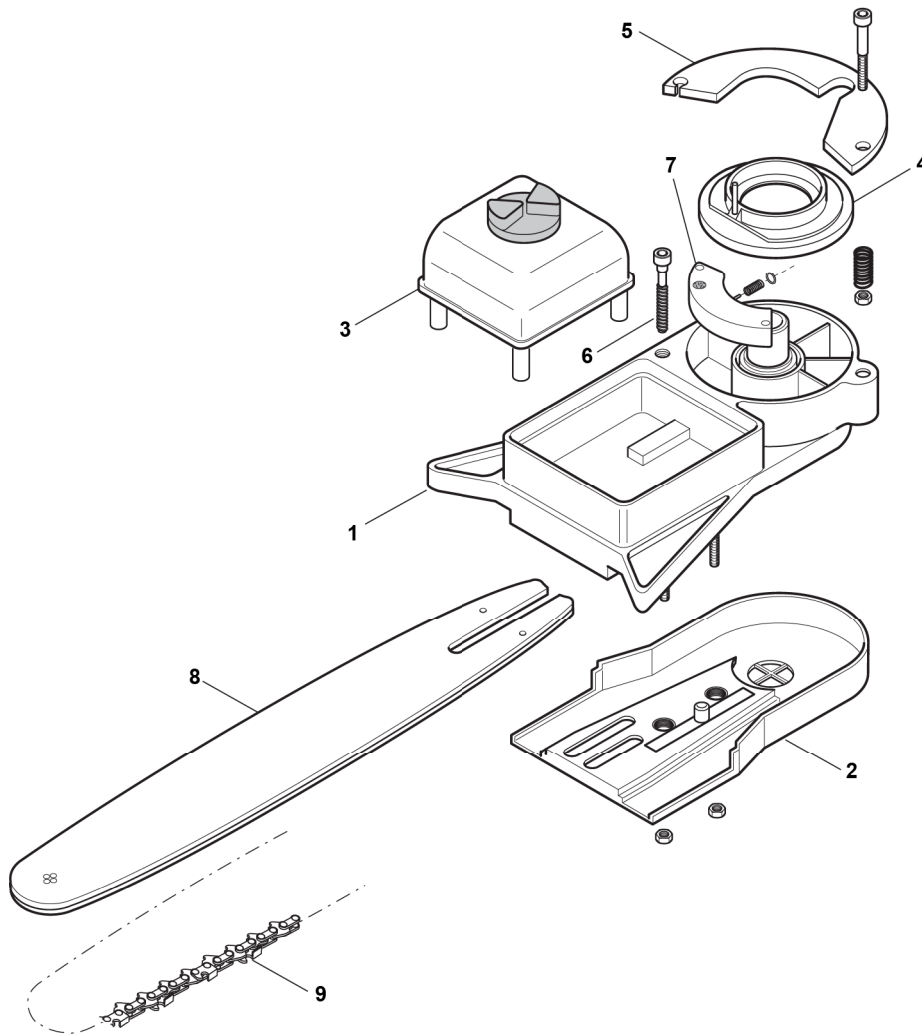
STAR

36
36D
41
41D
41F


2007

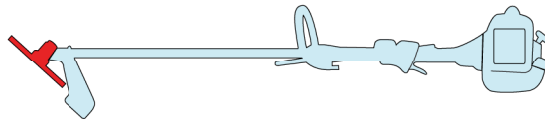
256.0

1 / 1



| N. | CODE | Q.TY | DESCRIZIONE | DESCRIPTION | DESCRIPTION | BESCHREIBUNG | REMARKS |
|----|---------|------|------------------------------|-----------------------------|-----------------------------|------------------|----------------------------------|
| 1 | 6910501 | 1 | ASS. CARTER TRASMISSIONE Ø26 | TRANSMISSION CASE ASS.Y Ø26 | ENS.CARTER TRANSMISSION Ø26 | ANTRIEBSGEH. Ø26 | |
| 2 | 6910502 | 1 | CARTER CATENA | CHAIN HOUSING | CARTER CHAÎNE | KETTENGEGÄUÛE | |
| 3 | 6910503 | 1 | SERBATOIO OLIO | OIL TANK | RÉSERVOIR HUILE | ÖLTANK | |
| 4 | 6910505 | 1 | COPERCHIO Ø26 | COVER Ø26 | COUVERCLE Ø26 | ABDECKUNG Ø26 | |
| 5 | 6910506 | 1 | FLANGIA | FLANGE | BRIDE | FLANSCH | |
| 6 | 6910507 | 1 | VITE | SCREW | VIS | SCHRAUBE | |
| 7 | 6910508 | 1 | ASS. POMPA OLIO | OIL PUMP ASS.Y | POMPE À HUILE | SET ÖLPUMPE | |
| 8 | 4112610 | 1 | BARRA GUIDA 10" | GUIDE BAR 10" | GUIDE-CHAÎNE 10" | KETTENSTEG 10" | 10" 3/8" .042" (1.1 mm) |
| 9 | 4113551 | 1 | CATENA 10" | CHAIN 10" | CHAÎNE 10" | KETTE 10" | 10" 3/8" .042" (1.1 mm) - 38E |

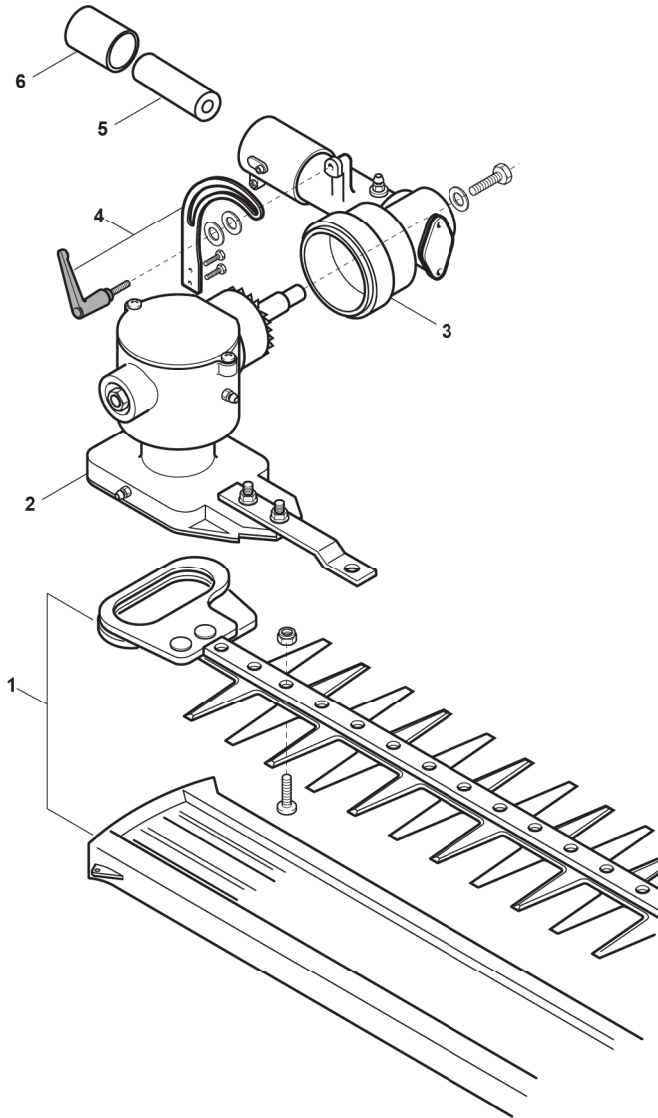


STAR**36****36D****41****41D****41F**

2007

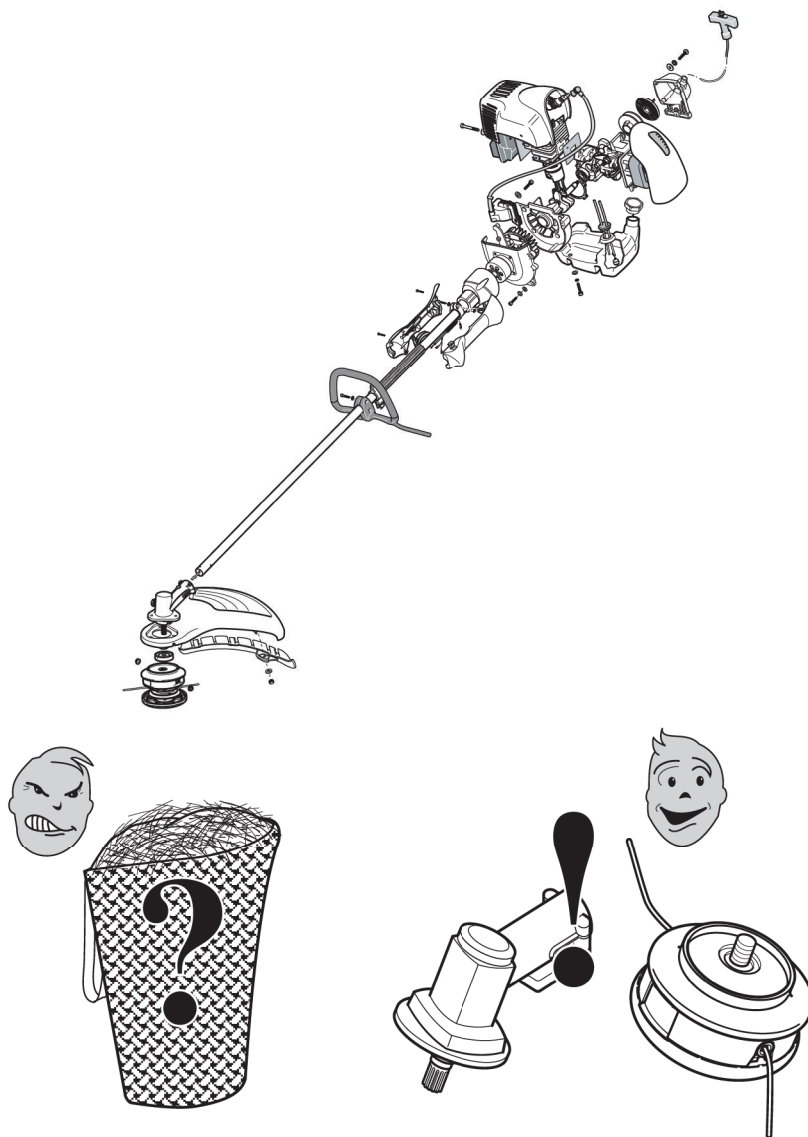
257.0

1 / 1



| N. | CODE | Q.TY | DESCRIZIONE | DESCRIPTION | DESCRIPTION | BESCHREIBUNG | REMARKS |
|----|---------|------|----------------------------|--------------------------|-------------------------|----------------------|---------|
| 1 | 6910520 | 1 | ASS. LAME | BLADE ASS.Y | ENS.LAME | KLINGEN | |
| 2 | 6910521 | 1 | ASS. CARTER TRASMISSIONE | TRANSMISSION SHAFT ASS.Y | ENS.CARTER TRANSMISSION | ANTRIEBSGEH. | |
| 3 | 6910524 | 1 | ASS. TESTINA | GEAR CASE ASS.Y | ENS.BOÎTE ENGRENAGE | ANTRIEBSGEHÄUSE | |
| 4 | 6910523 | 1 | LEVA+STAFFA DI REGOLAZIONE | LEVER+REGULATION ROD | LEVIER+BARRE DE RÉGLAGE | HEBEL+REGELUNGSBÜGEL | |
| 5 | 4252640 | 1 | MANICOTTO | COUPLING | MANCHON | MUFFE | |
| 6 | 2382430 | 1 | DISTANZIALE | SPACER | ENTRETOISE | ENTFERNUNGSTÜCK | |





USARE SOLO RICAMBI ORIGINALI!
USE ONLY GENUINE SPARE PARTS!
UTILISER DES PIÈCES DE RECHANGE D'ORIGINE!
NUR ORIGINALERSATZTEILE VERWENDEN!