



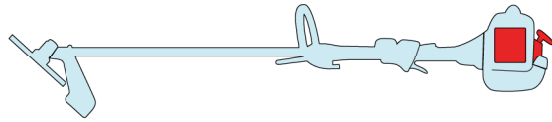
N.	CODE	Q.TY	DESCRIZIONE	DESCRIPTION	DESCRIPTION	BESCHREIBUNG	REMARKS
1	2135040	2	VITE	SCREW	VIS	SCHRAUBE	
2	4540820	1	CARTER SUPPORTO TRASM.	TRANSM. SUPPORT CASE	CARTER SUPPORT TRANSM.	GEHÄUSE GETRIEBE-PLATTFORM	
4	2132500	1	VITE	SCREW	VIS	SCHRAUBE	
5	2312120	1	RONDELLA	WASHER	RONDELLE	UNTERLEGSCHLEIBE	
6	3745530	4	GOMMINO SUPPORTO	SERB.GROMMET	RONDELLE CAOUT-CHOU	GUMMITRÄGER	
7	2653280	2	VITE FISSAGGIO MASSA	FRIZ.SCREW	VIS	SCHRAUBE	
8	3654090	1	MOLLA FRIZIONE	SPRING	RESSORT	KUPPLUNGSFEDER	
9	3660450	2	MASSA FRIZIONE	CLUTCH UNIT	EMBAYAGE	REIBUNGSMASSE	
10	2321100	2	ROSETTA	WASHER	RONDELLE	SCHLEIBE	
11	2132510	2	VITE	SCREW	VIS	SCHRAUBE	
12	2321050	2	RONDELLA	WASHER	RONDELLE	UNTERLEGSCHLEIBE	
13	3210665	1	BOBINA ELETTRONICA	ELECTRONIC COIL	BOBINE ÉLECTRONIQUE	ELEKTRONIKSPULE	
14	3211080	1	FILO BOBINA	SPARK PLUG CABLE	FIL BOBINE	DRAHT ZÜNDKERZE	
15	3782040	1	GUAINA CAVO	WIRE SHEATH	GAINÉ CÂBLE	KABELMANTEL	
16	3211410	1	CAVO MASSA	EARTH CABLE	CÂBLE MASSE	ERDUNGSKABEL	
17	4251470	1	ASS. VOLANO C/MASSE (INCL.7,9,10)	FLYWHEEL ASS.Y (INCL.7,9,10)	ENS. VOLANT (INCL.7,9,10)	SCHWUNGRAD MAGNET (INCL.7,9,10)	
18	2670120	2	DADO	NUT	ECROU	MUTTER	
19	2135050	3	VITE	SCREW	VIS	SCHRAUBE	
20	3121070	2	ANELLO DI TENUTA	SEAL RING	ANNEAU DE TENUE	DICHRING	
21	3745130	1	GOMMINO PASSACAVO	GROMMET	RONDELLE CAOUT-CHOU	LIPPKLAMPE	
22	8540680	1	COPPIA CARTER MOTORE	CRANCKASE ASS.Y	ENS. CARTER MOTEUR	PAAR MOTORABDECKUNG	
23	3151010	1	LINGUETTA VOLANO	FLYWHEEL KEY	CLAVETTE VOLANT	LASCHE SCHWUNGRAD	
24	3614480	2	RASAMENTO ALBERO MOTORE	WASHER	RONDELLE	PASSSCH. WELLE MOTOR	
25	3116100	1	ASTUCCIO A RULLI	NEEDLE BEARING	ROUL. À AIGUILLES	WALZENROHR	
26	3614891	2	RASAMENTO PISTONE	WASHER	RONDELLE	PASSSCHLEIBE KOLBEN	
27	8250830	1	ASS. ALBERO MOTORE (INCL.25)	CRANCKSHAFT (INCL.25)	ARBRE MOTEUR (INCL.25)	SET MOTORWELLE (INCL.25)	
28	3112240	2	CUSCINETTO	BEARING	ROUL. À BILLES	KUGELLAGER	
29	3750280	1	GUIDA PASSACAVO	MASSATHREAD GUIDE	GUIDE-FIL	LIPPKLAMPE	
30	3724031	1	GUARNIZIONE CARTERS	GASKET	JOINT	DICHTUNG ABDECKUNG	
31	2432040	5	DADO	NUT	ECROU	MUTTER	
32	2123100	2	VITE	SCREW	VIS	SCHRAUBE	
33	3654050	2	MOLLA AGGANCIAMENTO	SPRING	RESSORT	FEDER STARTER	
34	3749570	2	AGGANCIAMENTO	STARTER HOOK	FIXATION DÉMARREUR	SPERRE STARTER	
35	8540810	1	ASS. COPPA AVVIAMENTO (INCL.32-36)	STARTER CUP ASS.Y (INCL.32-36)	ENS.COUPÉ DÉMARREUR (INCL.32-36)	SCHWUNGRAD MAGNET (INCL.32-36)	
36	2135030	1	VITE	SCREW	VIS	SCHRAUBE	
37	4563690	1	CUFFIA COPRICILINDRO GIALLA	CYLINDER COVER ASS.Y YELLOW	COUVERCLE CYLINDRE JAUNE	GELBE MOTORABDECKUNG	
37	4563693	1	CUFFIA COPRICILINDRO ROSSA	CYLINDER COVER ASS.Y RED	COUVERCLE CYLINDRE ROUGE	ROTE MOTORABDECKUNG	
38	4122140	1	ASS. SILENZIATORE	MUFFLER ASSY	SILENCIEUX	SET SCHALLDÄMPFER	
41	3724370	1	GUARNIZIONE SILENZIATORE	MUFFLER GASKET	JOINT SILENCIEUX	DICHTUNG SCHALLDÄMPFER	
42	3744850	1	CAPPUCCIO CANDELA	SPARK PLUG COVER	CAPUCHON BOUGIE	ZÜNDKERZENKAPPE	
43	3657530	1	TERMINALE FILO CANDELA	SPARK PLUG SPRING	BORNE FIL BOUGIE	DRAHTENDE ZÜNDKERZE	
44	3210024	1	CANDELA	SPARK PLUG	BOUGIE	ZÜNDKERZE	
45	2135150	2	VITE	SCREW	VIS	SCHRAUBE	
46	3724250	1	GUARNIZIONE CILINDRO	CILYNDER GASKET	JOINT CYLINDRE	ZYLINDERDICHTUNG	
47	3123210	1	SEGMENTO X MOD. Ø 35	PISTON RING X MOD. Ø 35	SEGMENT X MOD. Ø 35	KOLBENRING X MOD. Ø 35	
48	3158220	1	SPINOTTO PISTONE Ø 35	PISTON PIN Ø 35	POINTEAU PISTON Ø 35	KOLBENBOLZEN Ø 35	
49	3356050	2	FERMO SPINOTTO	CIRCLIP	CIRCLIP	SPERRE BOLZEN	
50	8541100/1	1	ASS. PISTONE Ø 35 (INCL.26,47-49)	MOD.31PISTON ASS.Y Ø 35 (INCL.26,47-49)	ENS.PISTON Ø 35 (INCL.26,47-49)	SET KOLBEN Ø 35 (INCL.26,47-49)	
51	8541090/1	1	ASS. CILINDRO-PISTONE Ø 35 (INCL.50)	D35CYLINDER-PISTON ASS.Y Ø 35 (INCL.50)	ENS.CYLINDRE-PISTON Ø 35 (INCL.50)	SET ZYLINDER-KOLBEN Ø 35 (INCL.50)	
52	4253290	1	PESCANTE MISCELA	INTAKE FILTER	FILTRE D'ASPIRATION	TAUCHSONDE	
53	8745541	1	ASS. GOMMINO PASSA-TUBI	GROMMET ASS.Y	ENS.RONDELLE CAOUT-CHOU	SET GUMMIRINGE	
54	8741370	1	ASS. TAPPO MISCELA	FUEL CAP ASS.Y	ENS.BOUCHON MÉLANGE	DECKEL TREIBSTOFF	
55	4252530	1	ASS. SERBATOIO MIX (INCL.52-54)	FUEL TANK ASS.Y (INCL.52-54)	ENS.RÉSERVOIR MÉLANGE (INCL.52-54)	SET TREIBSTOFFTANK (INCL.52-54)	
62	8724370	1	SERIE GUARNIZIONI MOTORE (INCL.30,41,46)	GASKET SET (INCL.30,41,46)	SÉRIE JOINTS (INCL.30,41,46)	SET MOTORDICHTUNGEN (INCL.30,41,46)	



STAR

31

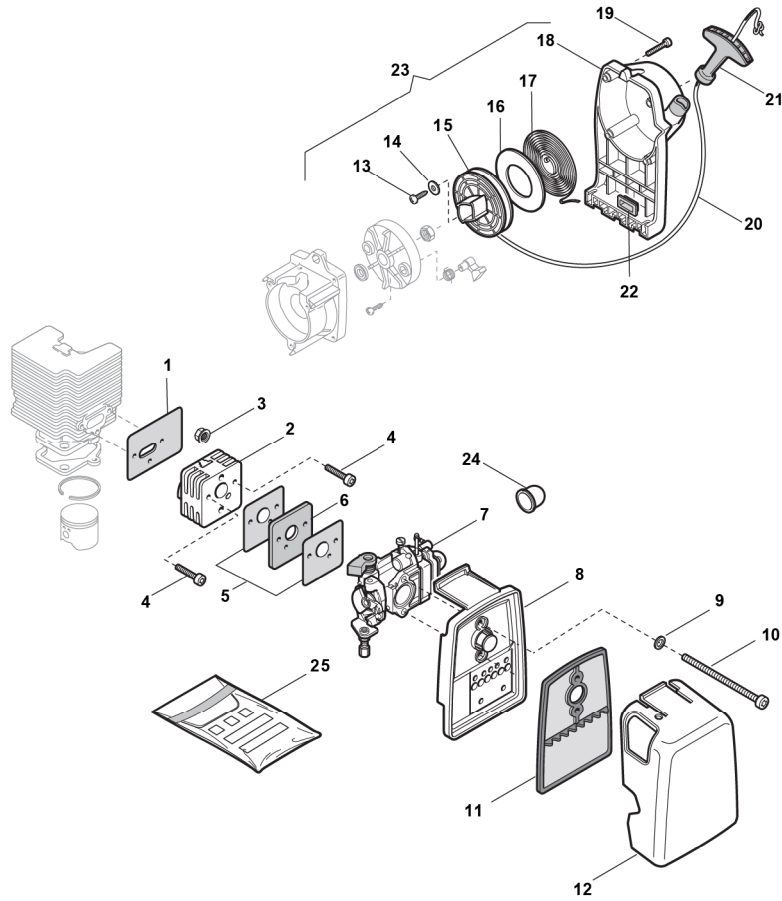
31D



2007

242.0

1 / 2





N.	CODE	Q.TY	DESCRIZIONE	DESCRIPTION	DESCRIPTION	BESCHREIBUNG	REMARKS
1	3724360	1	GUARNIZ.COLLETT-CI-LINDRO	INTAKE MANIF-GASKET	JOINT COLLECT.-CYL.	DICHT. KOLLEKT.-ZYL.	
2	3750410	1	COLLETTORE ASPIRAZIONE	INTAKE MANIFOLD	COLLECTEUR ASPIRATION	KOLLEKTOR ANSAUGUNG	
3	2670280	2	DADO	NUT	ECROU	MUTTER	
4	2135050	2	VITE	SCREW	VIS	SCHRAUBE	
5	3724400	2	GUARNIZ.COLLETTORE-CARBURATORE	INTAKE-CARB GASKET	JOINT COLLECT.-CARB.	DICHT. KOLLEKTOR-VERG.	
6	3785070	1	DISTANZIALE TERMICO	HEAT BLOCK	BLOCAGE THERMIQUE	THERMOISOLIERUNG	
7	23054009/1	1	CARBURATORE	CARBURETTOR	CARBURATEUR	VERGASER	Walbro WYJ 400A
8	8750430	1	SUPP. FILTRO ARIA GRIGIO	AIR FILTER HOLDER	SUPP. FILTRE À AIR	HALTER LUFTFILTER	
9	2312090	3	ROSETTA	WASHER	RONDELLE	SCHEIBE	
10	2135250	2	VITE	SCREW	VIS	SCHRAUBE	
11	3781630	1	FILTRO ARIA	AIR FILTER	FILTRE À AIR	LUFTFILTER	
12	4563710	1	COPRIFILTRO GIALLO	FILTER COVER YELLOW	COUVRE-FILTRE JAUNE	FILTERABD. GELB	
12	4563713	1	COPRIFILTRO ROSSO	FILTER COVER RED	COUVRE-FILTRE ROUGE	FILTERABD. ROT	
13	2123100	3	VITE	SCREW	VIS	SCHRAUBE	
14	3613420	1	ROSETTA	WASHER	RONDELLE	SCHEIBE	
15	4562220	1	PULEGGIA AVVIAMENTO	STARTER PULLEY	POULIE DÉMARRAGE	RIEMENSCHLEIBE STARTER	
16	3723640	1	DISCO MOLLA AVV.TO	DISC	DISQUE	SCHEIBE FEDER STARTER	
17	4611480	1	MOLLA AVV.TO	SPRING	RESSORT	FEDER	
18	8563700	1	CARTER AVV.TO	STARTER RECOIL CASE	CARTER DÉMARREUR	STARTERGEHÄUSE	
19	2135040	12	VITE	SCREW	VIS	SCHRAUBE	
20	3784030	1	FUNE AVV.TO	STARTER CORD	CÂBLE DÉMARRAGE	SEIL STARTER	
21	3750067	1	IMPUGNATURA AVV.TO	STARTER HANDLE	POIGNÉE DÉMARRAGE	GRIFF STARTER	
22	3745530	4	GOMMINO SUPP. SERBATOIO	GROMMET	RONDELLE CAOUT-CHOUC	GUMMING	
23	4252690	1	ASS. AVVIATORE (INCL. 13-22)	STARTER ASS.Y (INCL. 13-22)	ENS. DÉMARREUR (INCL. 13-22)	SET KUPPLUNG (INCL. 13-22)	
24	3744870	1	PRIMER	PRIMER	PRIMER	PRIMER	
25	4353150	1	KIT MEMB-GUARNIZ.	GASKET-DIAPH. SET	KIT MEMBR.-JOINT	SET MEMBR.-DICHT.	



STAR

31

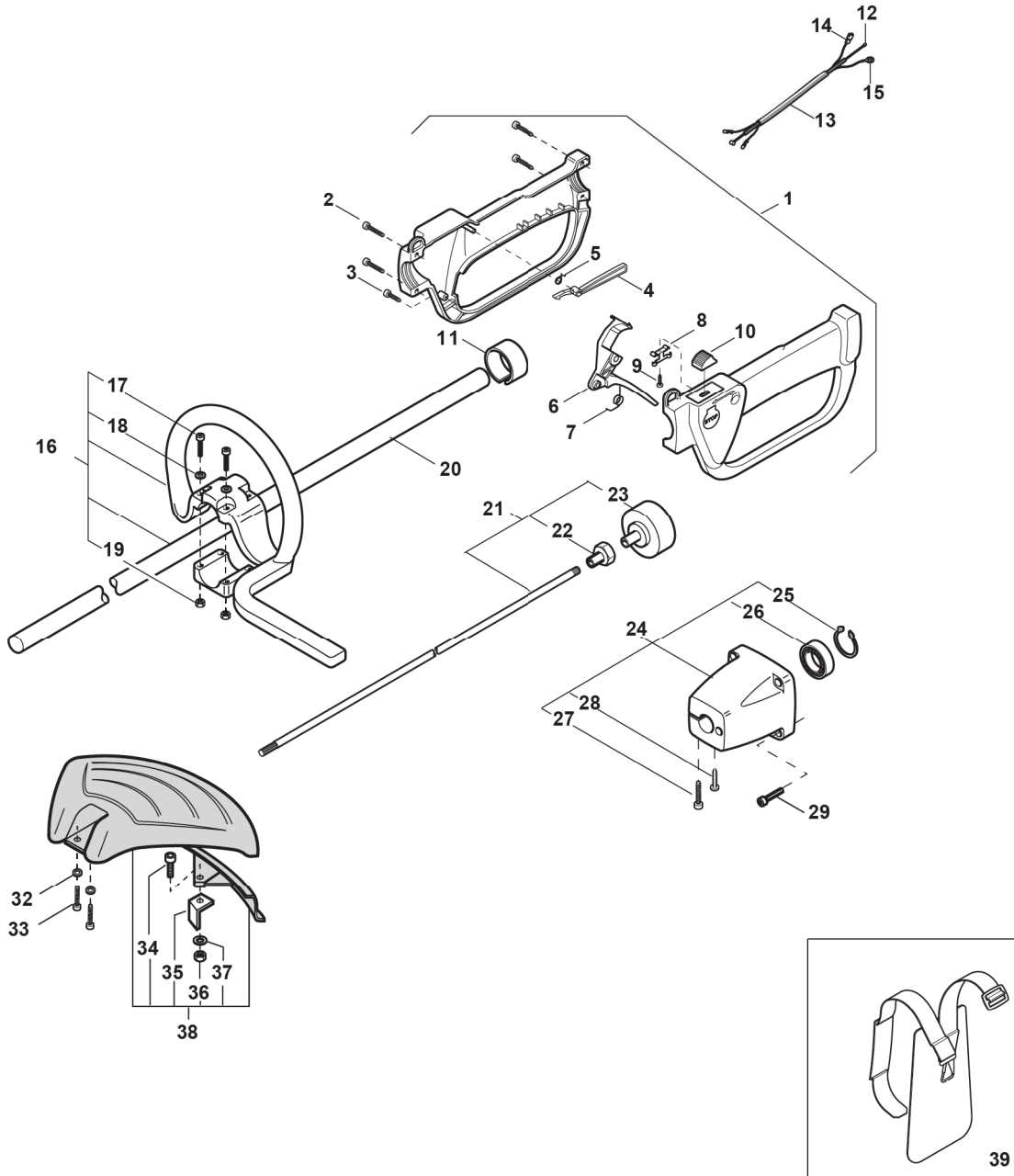
31D



2007

243.0

1 / 2





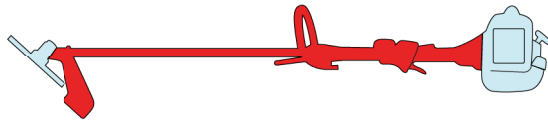
N.	CODE	Q.TY	DESCRIZIONE	DESCRIPTION	DESCRIPTION	BESCHREIBUNG	REMARKS
1	8562620/1	1	ASS. IMPUGNATURA POSTERIORE (INCL.2-11)	HANDLE ASS.Y (INCL.2-11)	ENS.POIGNÉE (INCL.2-11)	HANDGRIFF HINTEN (INCL.2-11)	
2	2123030	4	VITE	SCREW	VIS	SCHRAUBE	
3	2123100	2	VITE	SCREW	VIS	SCHRAUBE	
4	3743475	1	LEVA DI SICUREZZA	SAFETY LEVER	LEVIER DE SÉCURITÉ	SICHERHEITSEBEL	
5	3654300	1	MOLLA LEVA DI SICUREZZA	SPRING	RESSORT	FEDER SICHERHEITSEBEL	
6	3743465	1	LEVA ACCELERATORE	THROTTLE LEVER	LEVIER ACCÉLÉRATEUR	GASHEBEL	
7	3654270/1	1	MOLLA LEVA ACCELERATORE	SPRING	RESSORT	FEDER GASHEBEL	
8	3612710	1	LAMIERINO DI STOP	STOP PLATE	PLAQUE D'ARRÊT	STOP-PLÄTTCHEN	
9	2123070	1	VITE	SCREW	VIS	SCHRAUBE	
10	3749270	1	POMELLO DI STOP	STOP KNOB	BOUTON D'ARRÊT	STOP-SCHALTER	
11	3749910	1	RIDUZIONE Ø24	REDUCTION	RÉDUCTION	REDUZIERSTÜCK	
12	4252540	1	CAVO ACCELERATORE	WIRE ASS.Y	CÂBLE ACCÉLÉR.	STARTERKABEL	
13	3786030	1	GUAINA CAVI	WIRE SHEATH	CAINE CÂBLES	KABELMANTEL	
14	3211570	1	CAVO BOBINA-INTERRUTTORE	COIL-SWITCH CABLE	CÂBLE BOBINE-INTERRUPT.	SPULENDRAHT	
15	3211120	1	CAVO MASSA	EARTH CABLE	CÂBLE MASSE	ERDUNGSKABEL	
16	8563590	1	ASS. IMPUGNATURA ANTERIORE (INCL.17-19)	FRONT HANDLE ASS.Y (INCL.17-19)	ENS.POIGNÉE AVANT (INCL.17-19)	HANDGRIFF VORNE (INCL.17-19)	
17	2135050	4	VITE	SCREW	VIS	SCHRAUBE	
18	2312090	4	RONDELLA	WASHER	RONDELLE	UNTERLEGSCHLEIBE	
19	2412030	4	DADO	NUT	ECROU	MUTTER	
20	8251211	1	TUBO DI TRASMISSIONE Ø 24	TRANSMISSION PIPE ASS.Y Ø 24	ENS.TUBE TRANSM. Ø 24	SCHAFT Ø 24	
21	4251410	1	ASS. ALBERO TRASMISSIONE (INCL.22,23)	TRANSMISSION SHAFT ASS.Y (INCL.22,23)	ENS.ARBRE TRANSM. (INCL.22-23)	SET ANTRIEBSWELLE (INCL.22,23)	
22	3642221	1	MOZZO CUSCINETTO	BEARING HUB	MOYEU ROULEMENT	LAGERNABE	
23	4121881/1	1	ASS. CAMPANA FRIZIONE	CLUTCH DRUM	CLOCHE EMBRAYAGE	SET KUPPLUNG	
24	8561600	1	ASS. SUPPORTO TRASMISSIONE (INCL.25-28)	SUPPORT TRANSMISSION ASS.Y (INCL.25-28)	ENS.SUPP. TRANSM. (INCL.25-28)	SCHWUNGRAD MAGNET (INCL.25-28)	
25	3353080	1	ANELLO SEEGER	RING	CIRCLIP	RING	
26	3112170	1	CUSCINETTO	BEARING	ROUL. À BILLES	KUGELLAGER	
27	2123140	2	VITE	SCREW	VIS	SCHRAUBE	
28	2123150	1	VITE	SCREW	VIS	SCHRAUBE	
29	2135160	4	VITE	SCREW	VIS	SCHRAUBE	
32	2312150	2	RONDELLA	WASHER	RONDELLE	UNTERLEGSCHLEIBE	
33	2135060	2	VITE	SCREW	VIS	SCHRAUBE	
34	2135030	1	VITE	SCREW	VIS	SCHRAUBE	
35	3615000	1	LAMIERINO TAGLIAFILO	LINE CUTTER	COUPE-FIL	DRAHTSCHERENBLECH	
36	12154330/0	1	DADO	NUT	ECROU	MUTTER	
37	2312150	1	RONDELLA	WASHER	RONDELLE	UNTERLEGSCHLEIBE	
38	8563570	1	ASS. PARASPRUZZI (INCL.34-37)	SAFETY COVER ASS.Y (INCL.34-37)	ENS. CAPOT ANTI-PROJECTIONS (INCL.34-37)	SET SPRITZSCHUTZ (INCL.34-37)	
39	4253460	1	BRETELLA MOD.31	HARNESS MOD.31	HARNAIS MOD.31	GURTZEUG MOD.31	



STAR

31

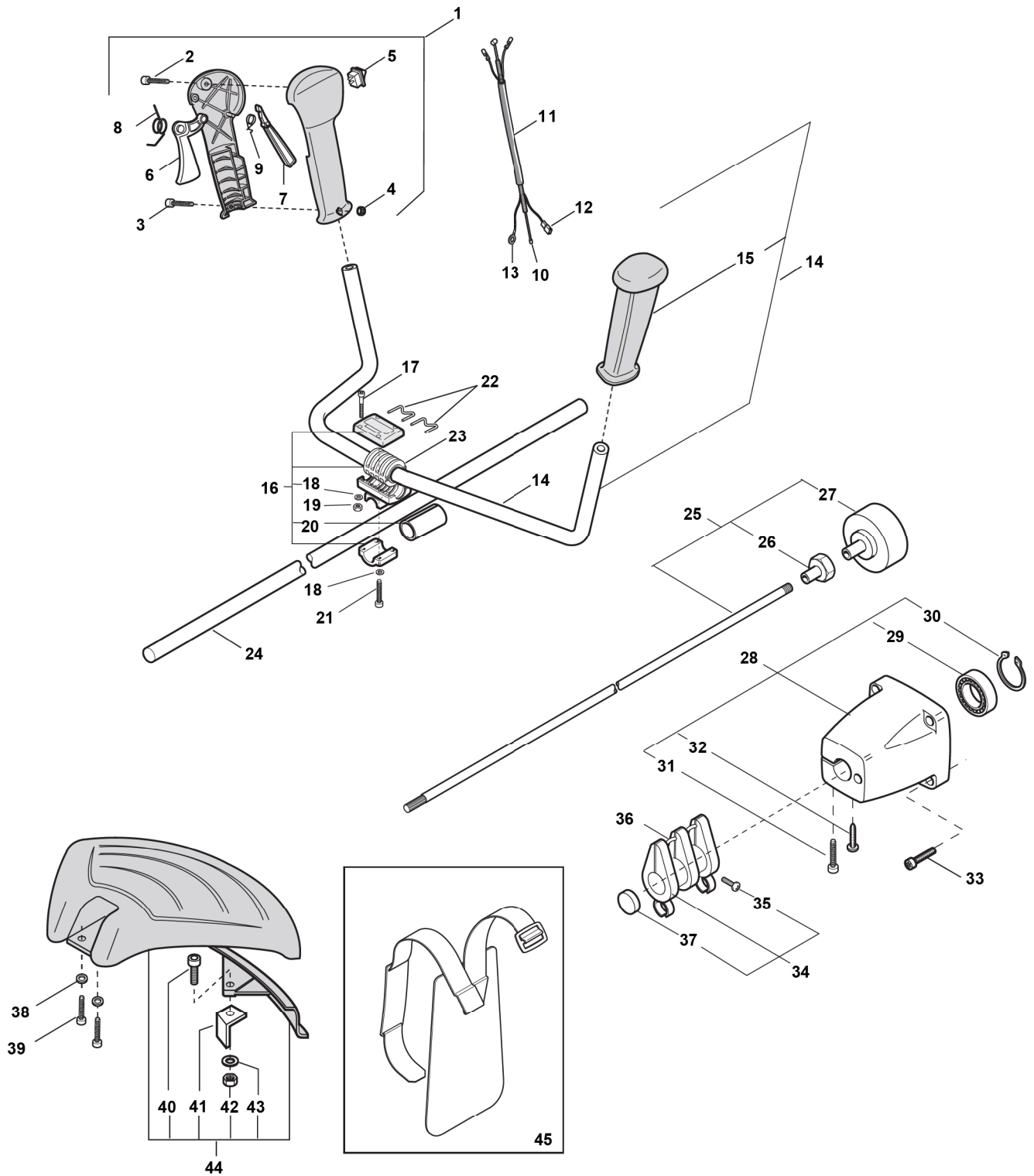
31D



2007

243a.0

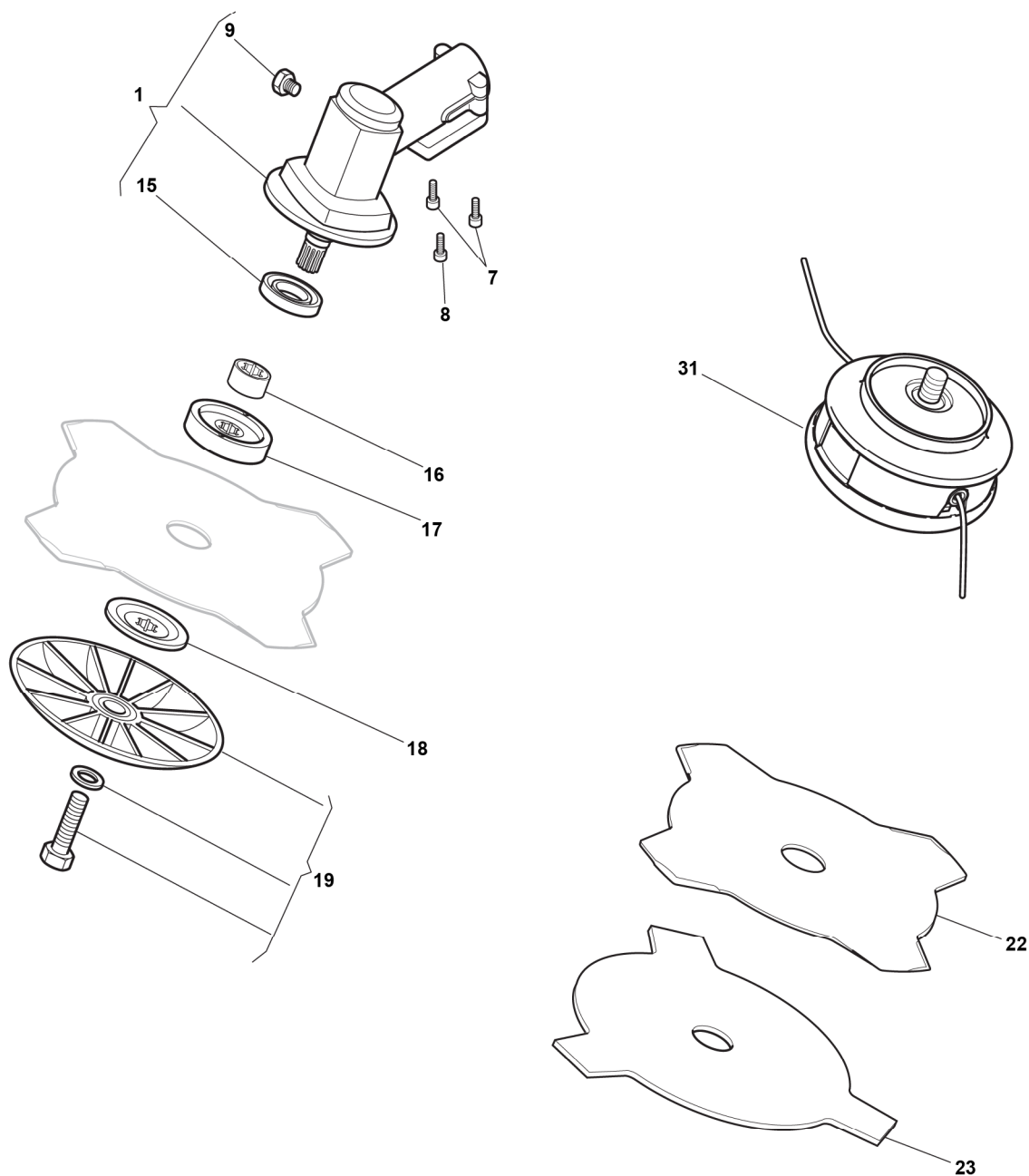
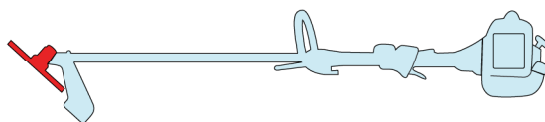
1 / 2





N.	CODE	Q.TY	DESCRIZIONE	DESCRIPTION	DESCRIPTION	BESCHREIBUNG	REMARKS
1	8563830	1	ASS. IMPUGNATURA (INCL.2-9)	HANDLE ASS.Y (INCL.2-9)	ENS.POIGNÉE (INCL.2-9)	SET HANDGRIFF (INCL.2-9)	
2	2123030	1	VITE	SCREW	VIS	SCHRAUBE	
3	2135050	1	VITE	SCREW	VIS	SCHRAUBE	
4	12154330/0	1	DADO	NUT	ECROU	MUTTER	
5	3210970	1	INTERRUPTORE STOP	SWITCH	INTERRUPTEUR D'ARRÊT	STOP-SCHALTER	
6	3743431/1	1	LEVA ACCELERATORE	THROTTLE LEVER	LEVIER ACCÉLÉRATEUR	GASHEBEL	
7	3743441	1	LEVA DI SICUREZZA	SAFETY LEVER	LEVIER DE SÉCURITÉ	SICHERHEITSHEBEL	
8	3654270/1	1	MOLLA LEVA ACCELERATORE	SPRING	RESSORT	FEDER GASHEBEL	
9	3654280/1	1	MOLLA LEVA DI SICUREZZA	SPRING	RESSORT	FEDER SICHERHEITSHEBEL	
10	4252720	1	CAVO ACCELERATORE	WIRE ASS.Y	CÂBLE ACCÉLÉR.	STARTERKABEL	
11	3786240	1	GUAINA CAVI	WIRE SHEATH	GAINÉ CÂBLES	KABELMANTEL	
12	3211650	1	CAVO BOBINA-INTERRUPTORE	COIL-SWITCH CABLE	CÂBLE BOBINE-INTERRUPT.	SPULENDRAHT-SCHALTER	
13	3211660	1	CAVO MASSA	EARTH CABLE	CÂBLE MASSE	ERDUNGSKABEL	
14	4252710/1	1	ASS. MANUBRIO (INCL.15-22-23)	HANDLE ASS.Y	ENS. GUIDON	SET HANDGRIFF	
15	3744860/1	1	IMPUGNATURA SINISTRA	LEFT HANDLE	POIGNÉE GAUCHE	HANDGRIFF LINKS	
16	8250397	1	ASS.SUPPORTO MANUBRIO (INCL.17-21)	HANDGRIP SUPPORT ASS.Y	ENS.SUPPORT GUIDON	SET HANDGRIFFHALTER	
17	2135120	4	VITE	SCREW	VIS	SCHRAUBE	
18	2312090	4	RONDELLA	WASHER	RONDELLE	UNTERLEGSCHEIBE	
19	12154330/0	4	DADO	NUT	ECROU	MUTTER	
20	3721410	1	SPESSORE	RUBBER FACING	CALE CAOUTCHOUC	DICKE	
21	2123110	4	VITE	SCREW	VIS	SCHRAUBE	
22	3657470	2	FERMO MANUBRIO	HANDLE LOCK	ARRÊT GUIDON	HANDGRIFFSPERRE	
23	3744162	2	GOMMINO ANTIVIBRANTE	GROMMET	CAOUTCHOUC ANTI-VIBRAT.	SCHWINGUNGSDÄMPFER	
24	8251211	1	ASS.TUBO TRASMISSIONE	TRANSMISSION PIPE ASS.Y	ENS.TUBE TRANSM.	SCHAFTGRUPPE	
25	4251410	1	ASS.ALBERO TRASMISSIONE (INCL.26-27)	TRANSM.SHAFT ASS.Y (INCL.26-27)	ENS.ARBRE TRANSM. (INCL.26-27)	MOTORWELLENEINHEIT (INCL.26-27)	
26	3642221	1	MOZZO CUSCINETTO	BEARING HUB	MOYEU ROULEMENT	LAGERNABE	
27	4121881/1	1	ASS.CAMPANA FRIZIONE	CLUTCH DRUM	CLOCHE EMBRAYAGE	REIBUNGSGLOCKE	
28	8561600	1	ASS.SUPPORTO TRASMISSIONE (INCL.29-32)	SUPP.TRANSM.ASS.Y (INCL.29-32)	ENS.SUPP. TRANSM. (INCL.29-32)	GETRIEBEPLATTFORM (INCL.29-32)	
29	3112170	1	CUSCINETTO	BEARING	ROUL. À BILLES	KUGELLAGER	
30	3353080	1	ANELLO SEEGER	RING	CIRCLIP	RING	
31	2123140	2	VITE	SCREW	VIS	SCHRAUBE	
32	2123150	1	VITE	SCREW	VIS	SCHRAUBE	
33	2135160	4	VITE	SCREW	VIS	SCHRAUBE	
34	8562512	1	ASS.SUPPORTO BRETTELE	HARNES SUPPORT ASS.Y	ENS.SUPPORT HARNAIS	SET GURTZEUGHALTER	
35	2123140	4	VITE	SCREW	VIS	SCHRAUBE	
36	3642530	1	PERNO SUPPORTO	PIN	CHEVILLE	STIFT	
37	3721410	2	SPESSORE IN GOMMA	RUBBER FACING	CALE CAOUTCH.	GUMMISPERRUNG	
38	2312150	2	RONDELLA	WASHER	RONDELLE	UNTERLEGSCHEIBE	
39	2135060	2	VITE	SCREW	VIS	SCHRAUBE	
40	2135030	1	VITE	SCREW	VIS	SCHRAUBE	
41	3615000	1	LAMIERINO TAGLIAFILO	LINE CUTTER	COUPE-FIL	DRAHTSCHERENBLECH	
42	2432040	1	DADO	NUT	ECROU	MUTTER	
43	2312150	1	RONDELLA	WASHER	RONDELLE	UNTERLEGSCHEIBE	
44	8563570	1	ASS.PARASPRUZZI (INCL.40-43)	SAFETY COVER ASS.Y (INCL.40-43)	ENS. CAPOT ANTI-PROJECTIONS (INCL.40-43)	SPRITZSCHUTZ (INCL.40-43)	
45	4253460	1	BRETELLA	HARNES	HARNAIS	GURTZEUG	





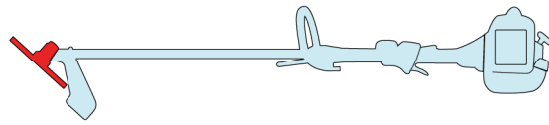
N.	CODE	Q.TY	DESCRIZIONE	DESCRIPTION	DESCRIPTION	BESCHREIBUNG	REMARKS
1	4252770/2	1	ASS.TESTINA Ø24MM(INCL. 2+21)	GEAR CASE ASSY (INCL. 2+21) [Ø24]	ENS.BÓTE ENGREN. (INCL. 2+21) [Ø24]	SET ZAHNRADGETRIEBE (INKL. 2+21) [Ø24]	
7	2135050	2	VITE	SCREW	VIS	SCHRAUBE	
8	2653090	1	VITE	SCREW	VIS	SCHRAUBE	
9	2653460	1	VITE	SCREW	VIS	SCHRAUBE	
15	3121180	1	ANELLO DI TENUTA	SEAL RING	ANNEAU DE TENUE	DICHTRING	
16	3660680	1	COLLARE	COLLAR	ENTRETOISE	DISTANZSCHEIBE	
17	3641650	1	GHIERA SUPERIORE	UPPER RING NUT	BAGUE SUPÉRIEURE	OBERER RINGBOLZEN	
18	3612650	1	GHIERA INFERIORE	LOWER RING NUT	BAGUE INFÉRIEURE	UNTERER RINGBOLZEN	
19	4560610	1	COPPA FISSA	STABILIZER	STABILISATEUR	STABILISATOR	
20	2321230	1	ROSETTA	WASHER	RONDELLE	SCHEIBE	
21	2653170	1	VITE	SCREW	VIS	SCHRAUBE	
22	4611880	1	DISCO 4 PUNTE 25 CM	4 TEETH 25 CM	LAME À 4 DENTS 25CM	4 ZÄHNE 25CM	
23	6031172	1	DISCO 3 PUNTE 25 CM	3 TEETH 25 CM	LAME À 3 DENTS 25CM	3 ZÄHNE 25CM	
31	4353240/1	1	TESTINA 2 FILI TAP & GO	2 HEDGES NYLON HEAD	TÊTE À 2 FILS NYLON	2 DRAHTSCHEIBE	



STAR

31

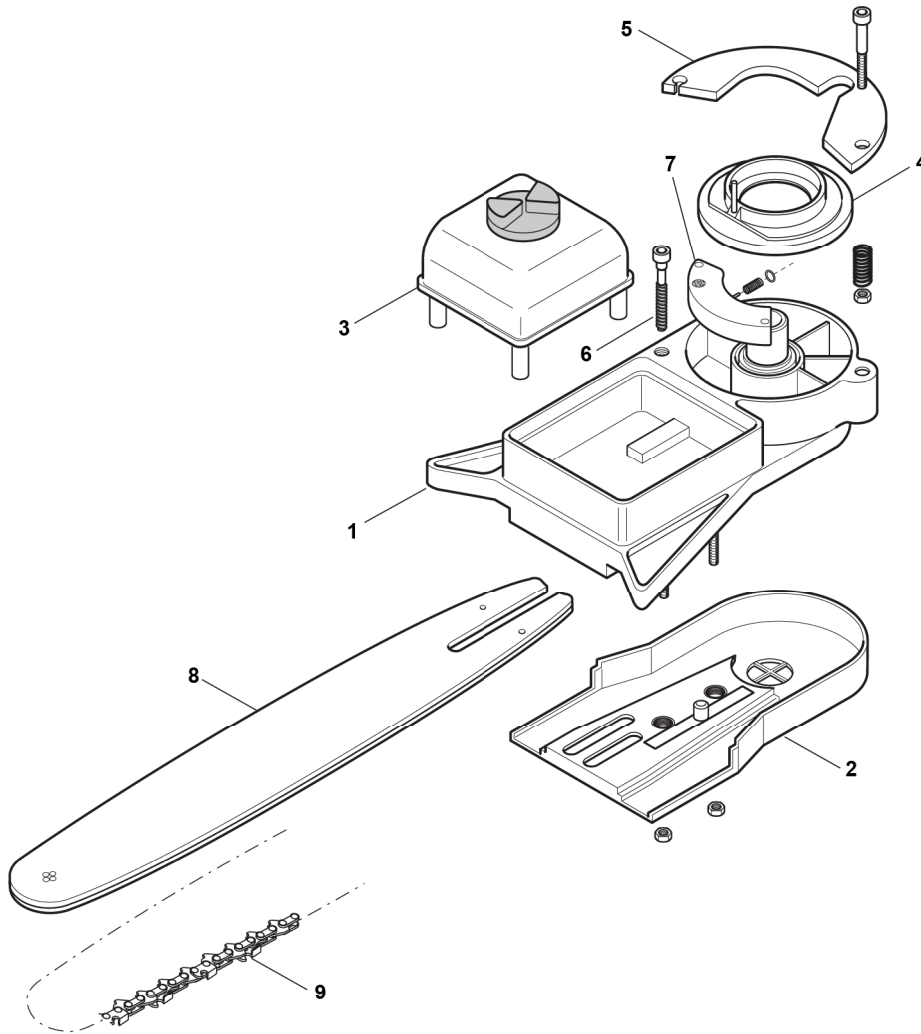
31D



2007

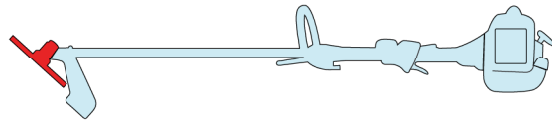
245.0

1 / 1



N.	CODE	Q.TY	DESCRIZIONE	DESCRIPTION	DESCRIPTION	BESCHREIBUNG	REMARKS
1	6910500	1	ASS. CARTER TRASMISSIONE Ø24	TRANSMISSION CASE ASS.Y Ø24	ENS.CARTER TRANSMISSION Ø24	ANTRIEBSGEH. Ø24	
2	6910502	1	CARTER CATENA	CHAIN HOUSING	CARTER CHAÎNE	KETTENGEGÄUÛE	
3	6910503	1	SERBATOIO OLIO	OIL TANK	RÉSERVOIR HUILE	ÖLTANK	
4	6910504	1	COPERCHIO Ø24	COVER Ø24	COUVERCLE Ø24	ABDECKUNG Ø24	
5	6910506	1	FLANGIA	FLANGE	BRIDE	FLANSCH	
6	6910507	1	VITE	SCREW	VIS	SCHRAUBE	
7	6910508	1	ASS. POMPA OLIO	OIL PUMP ASS.Y	POMPE À HUILE	SET ÖLPUMPE	
8	4112610	1	BARRA GUIDA 10"	GUIDE BAR 10"	GUIDE-CHAÎNE 10"	KETTENSTEG 10"	10" 3/8" .042" (1.1 mm)
9	4113551	1	CATENA 10"	CHAIN 10"	CHAÎNE 10"	KETTE 10"	10" 3/8" .042" (1.1 mm) - 38E

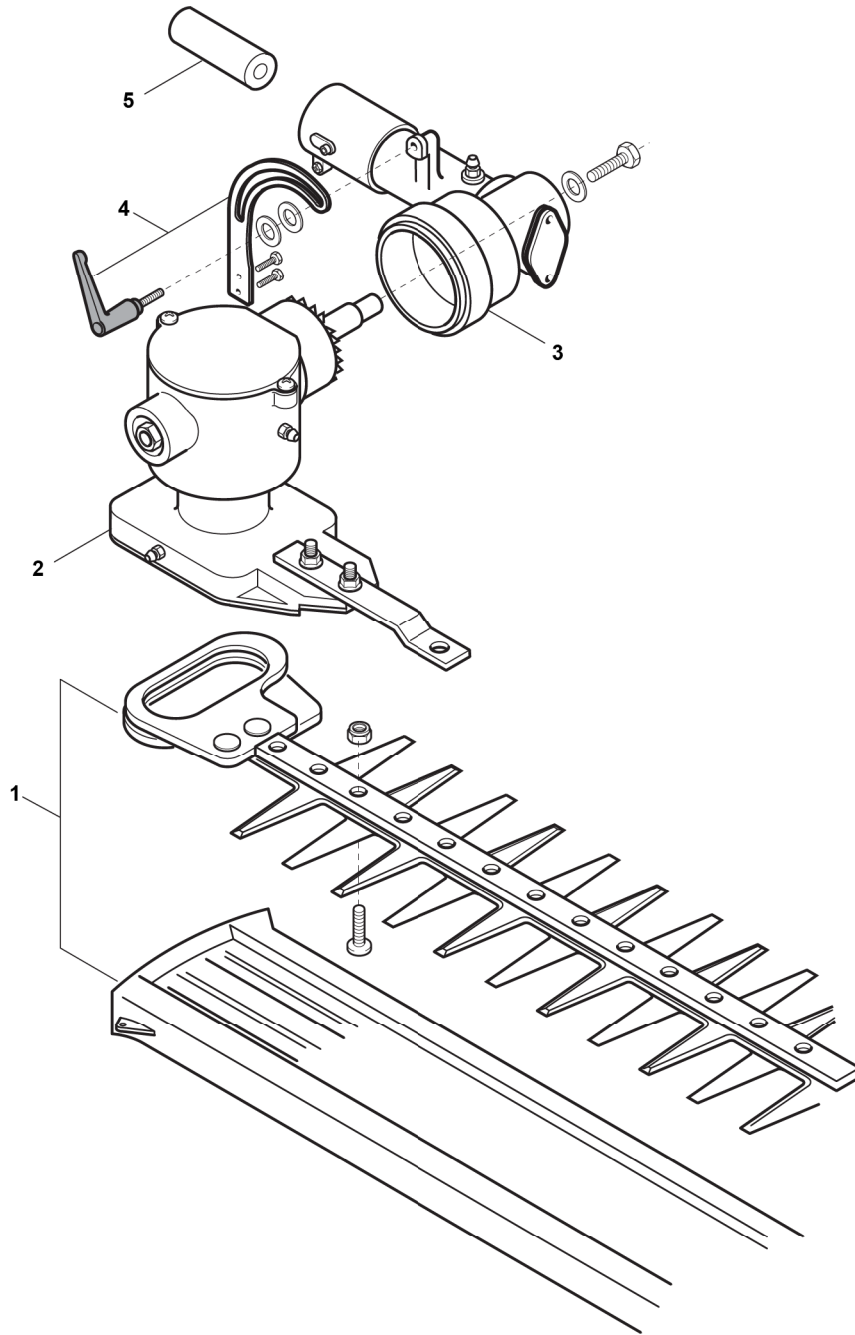


STAR**31****31D**

2007

246.0

1 / 1



N.	CODE	Q.TY	DESCRIZIONE	DESCRIPTION	DESCRIPTION	BESCHREIBUNG	REMARKS
1	6910520	1	ASS. LAME	BLADE ASS.Y	ENS.LAME	KLINGEN	
2	6910521	1	ASS. CARTER TRASMISSIONE	TRANSMISSION SHAFT ASS.Y	ENS.CARTER TRANSMISSION	ANTRIEBSGEH.	
3	6910522	1	ASS. TESTINA	GEAR CASE ASS.Y	ENS.BOÎTE ENGRENAGE	ANTRIEBSGEHÄUSE	
4	6910523	1	LEVA+STAFFA DI REGOLAZIONE	LEVER+REGULATION ROD	LEVIER+BARRE DE RÉGLAGE	HEBEL+REGELUNGSBÜGEL	
5	3643270	1	MANICOTTO	COUPLING	MANCHON	MUFFE	





USARE SOLO RICAMBI ORIGINALI!
USE ONLY GENUINE SPARE PARTS!
UTILISER DES PIÈCES DE RECHANGE D'ORIGINE!
NUR ORIGINALERSATZTEILE VERWENDEN!