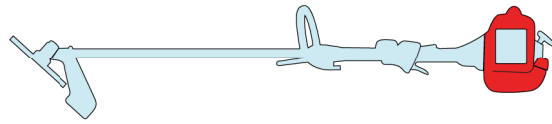


528T

528

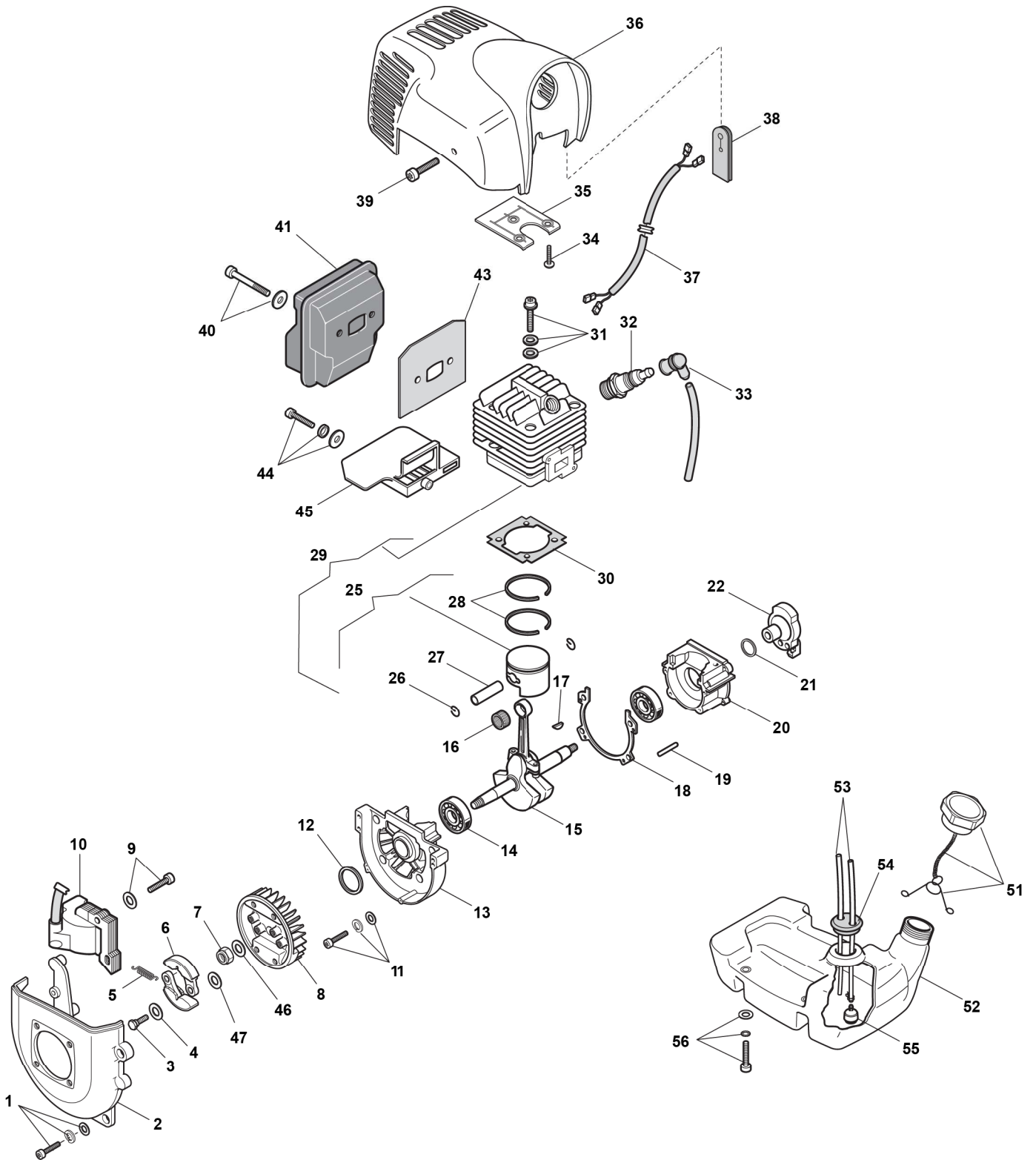
528D



2007

271.0

1 / 2





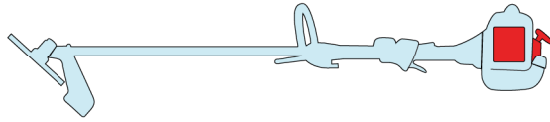
N.	CODE	Q.TY	DESCRIZIONE	DESCRIPTION	DESCRIPTION	BESCHREIBUNG	REMARKS
1	6981113	4	SET VITERIA	SCREWS SET	SET VISSERIE	SATZ SCHRAUBEN	
2	6981009	1	CARTER SUPP. TRASMISSIONE	TRANSM.SUPPORT CASE	CARTER SUPP. TRANSM.	GEHÄUSE GETRIEBE-PLATTFORM	
3	6981035	2	VITE	SCREW	VIS	SCHRAUBE	
4	6981033	2	ROSETTA	WASHER	RONDELLE	SCHEIBE	
5	6981034	1	MOLLA FRIZIONE	SPRING	RESSORT	KUPPLUNGSFEDER	
6	6981032	2	MASSA FRIZIONE	CLUTCH UNIT	EMBAYAGE	REIBUNGSMASSE	
7	6981143	1	DADO	NUT	ECROU	MUTTER	
8	6981002	1	ASS. VOLANO C/MASSE	FLYWHEEL ASS.Y	ENS. VOLANT	SCHWUNGRAD MAGNET	
9	6981116	2	SET VITERIA	SCREWS SET	SET VISSERIE	SATZ SCHRAUBEN	
10	6981001	1	BOBINA ELETTRONICA	ELECTRONIC COIL	BOBINE ÉLECTRONIQUE	ELEKTRONIKSPULE	
11	6981114	4	SET VITERIA	SCREWS SET	SET VISSERIE	SATZ SCHRAUBEN	
12	6981008	1	ANELLO DI TENUTA	SEAL RING	ANNEAU DE TENUE	DICHTRING	
13	6981005	1	CARTER MOTORE, ANTERIORE	FRONT CRANK CASE	CARTER MOTEUR, AVANT	VORDERMOTORABDECKUNG	
14	6981097	2	CUSCINETTO A SFERE	BALL BEARING	ROUL. À BILLES	KUGELLAGER	
15	6981016	1	ASS. ALBERO MOTORE	CRANKSHAFT	ARBRE MOTEUR	SET MOTORWELLE	
16	6981017	1	ASTUCCIO A RULLI	NEEDLE BEARING	ROUL. À AIGUILLES	WALZENROHR	
17	6981096	1	LINGUETTA VOLANO	FLYWHEEL KEY	CLAVETTE VOLANT	LASCHE SCHWUNGRAD	
18	6981007	1	GUARNIZIONE CARTERS	GASKET	JOINT	DICHTUNG ABDECKUNG	
19	6981126	3	SPINA DI CENTRAGGIO	CENTRING PIN	GOUPILLE DE CENTRAGE	ZENTRIERTSTIFT	
20	6981006	1	CARTER MOTORE, POSTERIORE	REAR CRANK CASE	CARTER MOTEUR, ARRIERE	HINTERMOTORABDECKUNG	
21	6981008	1	ANELLO DI TENUTA	SEAL RING	ANNEAU DE TENUE	DICHTRING	
22	6981031/1	1	COPPA AVVIAMENTO	STARTER CUP	COUPE DÉMARREUR	STARTERGEHÄUSE	
25	6981012	1	ASS. PISTONE	PISTON ASS'Y	ENS.PISTON	SET KOLBEN	
26	6981015	2	FERMO SPINOTTO	WASHER, PISTON PIN	CIRCLIP POINTEAU	ANSCHLAG ZAPFEN	
27	6981014	1	SPINOTTO PISTONE	PISTON PIN	POINTEAU PISTON	KOLBENBOLZEN	
28	6981013	2	FASCIA ELASTICA	PISTON RING	COLLIER ÉLASTIQUE	KOLBENRING	
29	6981003	1	ASS. CILINDRO - PISTONE	CYLINDER - PISTON ASS'Y	ENS.CYLINDRE-PISTON	SET ZYLINDER-KOLBEN	
30	6981004	1	GUARNIZIONE CILINDRO	CYLINDER GASKET	JOINT CYLINDRE	ZYLINDERDICHTUNG	
31	6981113	4	SET VITERIA	SCREWS SET	SET VISSERIE	SATZ SCHRAUBEN	
32	6981106	1	CANDELA	SPARK PLUG	BOUGIE	ZÜNDKERZE	
33	6981023	1	PROTEZIONE CANDELA	COVER, SPARK PLUG	COVER, SPARK PLUG	ZÜNDKERZENSCHUTZ	
34	6981285	3	SET VITERIA	SCREWS SET	SET VISSERIE	SATZ SCHRAUBEN	
35	6981044	1	PROTEZIONE	GUARD ASSY	PROTECTION	SCHUTZE	
36	6981121	1	CUFFIA COPRICILINDRO ARANCIONE	ENGINE COVER ORANGE	SHIELD ORANGE	ZYLINDERKOPFKAPPE ORANGE	
37	6981022	2	CAVI AVVIAMENTO	SWITCH WIRES	ENS. CÂBLE DÉMARRAGE	SATZ KABEL, START	
38	6981021	1	FERMACAVO	CABLE RETAINER	FIXATION CABLE	KABELBEFESTIGUNG	
39	6981098	2	SET VITERIA	SCREWS SET	SET VISSERIE	SATZ SCHRAUBEN	
40	6981115	2	SET VITERIA	SCREWS SET	SET VISSERIE	SATZ SCHRAUBEN	
41	6981040	1	SILENZIATORE	MUFFLER	SILENCIEUX	SCHALLDÄMPFER	
43	6981041	1	PROTEZIONE SILENZIATORE	MUFFLER SHIELD	PROTECTION	SCHUTZE	
44	6981116	1	SET VITERIA	SCREWS SET	SET VISSERIE	SATZ SCHRAUBEN	
45	6981043	1	PROTEZIONE	GUARD ASSY	PROTECTION	SCHUTZE	
46	6981128	1	ROSETTA	WASHER	RONDELLE	SCHEIBE	
47	6981276	2	ROSETTA	WASHER	RONDELLE	SCHEIBE	
51	6981091	1	ASS. TAPPO MISCELA	CAP ASS'Y, FUEL TANK	BOUCHON MÉLANGE	SET DECKEL TREIBSTOFF	
52	6981036	1	ASS. SERBATOIO MIX.	KIT FUEL TANK	ENS.RÉSERVOIR MÉLANGE	SET TREIBSTOFFTANK	
53	6981038	2	TUBI CARBURANTE	FUEL HOSE	TUBE DE CONNEXION	VERBINDUNGSROHR	
54	6981039	1	ASS. GOMMINO PASSA-TUBI	GROMMET ASSY	ENS.RONDELLE CAOUTCHOU	SET GUMMIRINGE	
55	4253291	1	PESCANTE MISCELA	INTAKE FILTER	FILTRE D'ASPIRATION	TAUCHSONDE	
56	6981101	4	SET VITERIA	SCREWS SET	SET VISSERIE	SATZ SCHRAUBEN	



528T

528

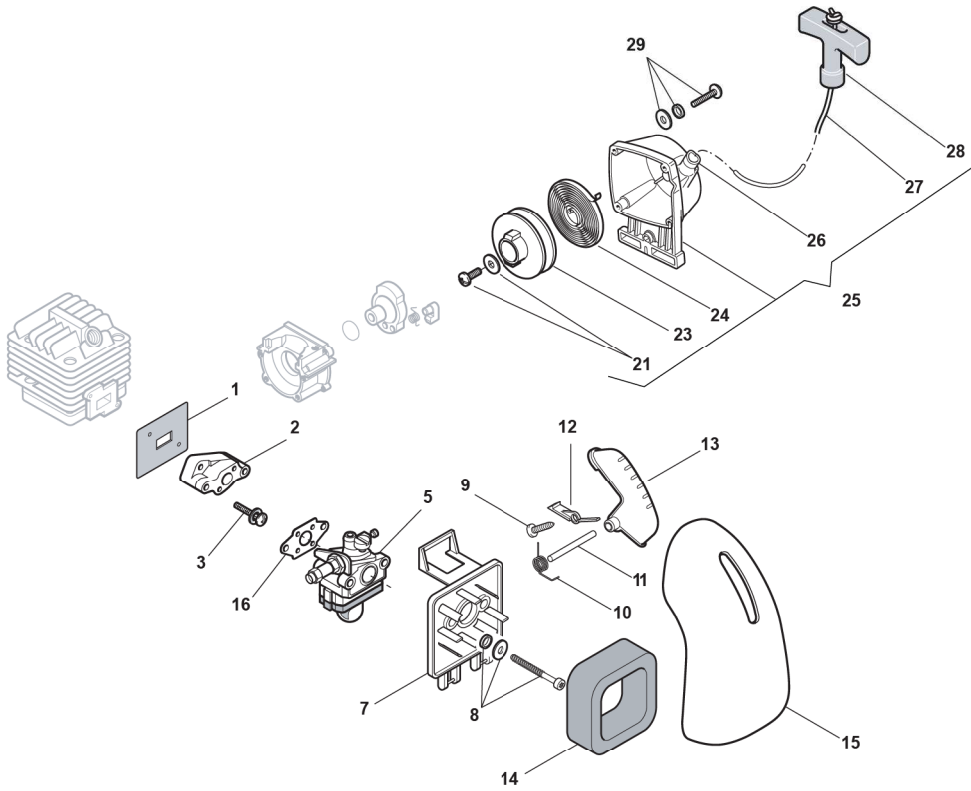
528D



2007

272.0

1 / 2





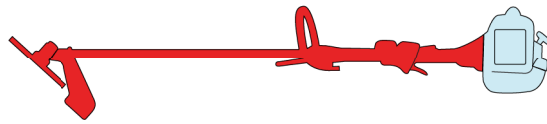
N.	CODE	Q.TY	DESCRIZIONE	DESCRIPTION	DESCRIPTION	BESCHREIBUNG	REMARKS
1	6981011	1	GUARNIZ.COLLETT-CI-LINDRO	INTAKE MANIF-GASKET	JOINT COLLECT.-CYL.	DICHT. KOLLEKT.-ZYL.	
2	6981010	1	COLLETTORE ASPIRAZIONE	INTAKE MANIFOLD	COLLECTEUR ASPIRATEUR	KOLLEKTOR ANSAUGUNG	
3	6981266	2	SET VITERIA	SCREWS SET	SET VISSERIE	SATZ SCHRAUBEN	
5	23054010/0	1	CARBURATORE	CARBURETTOR WYJ-393	CARBURATEUR WYJ-393	VERGASER	Walbro WYJ 393
7	6981019	1	SUPP. FILTRO ARIA	AIR FILTER HOLDER	SUPP. FILTRE À AIR	HALTER LUFTFILTER	
8	6981105	2	SET VITERIA	SCREWS SET	SET VISSERIE	SATZ SCHRAUBEN	
9	6981269	2	VITE	SCREW	VIS	SCHRAUBE	
10	6981045	1	MOLLA	SPRING	RESSORT	FEDER	
11	6981046	1	PERNO	PIN	TOURILLON	STIFT	
12	6981047	1	FERMO	RETAINER	BUTOIR	SPERRUNG	
13	6981107	1	PULSANTE	BUTTON	BOUTON	DRUCKKNOPF	
14	6981020	1	FILTRO ARIA	AIR FILTER	FILTRE À AIR	LUFTFILTER	
15	6981119	1	COPRIFILTRO ARIA ARANCIONE	ORANGE FILTER COVER	COUVRE-FILTRE À AIR ORANGE	FILTERABD. ORANGE	
16	6981018	1	GUARNIZ.COLLETT-CARB.	INTAKE-CARB. GASKET	JOINT COLLECT.-CARB.	DICHT. KOLLEKT.-VERG.	
21	6981099	1	SET VITERIA	SCREWS SET	SET VISSERIE	SATZ SCHRAUBEN	
23	6981026	1	PULEGGIA AVVIAMENTO	STARTER PULLEY	POULIE DÉMARRAGE	RIEMENSCHLEIBE STARTER	
24	6981025	1	MOLLA AVVIAMENTO	SPRING	RESSORT	STARTERFEDER	
25	6981024/1	1	ASS. AVVIATORE	STARTER ASS.Y	ENS. DÉMARREUR	SET KUPPLUNG	
26	6981028	1	GUIDA FUNE AVV.TO	ROPE GUIDE	GUIDE CÂBLE DÉMARRAGE	SEIL STARTER FUHRUNG	
27	6981029	1	FUNE AVVIAMENTO	STARTER CORD	CÂBLE DÉMARRAGE	SEIL STARTER	
28	6981027	1	IMPUGNATURA AVV.TO	STARTER HANDLE	POIGNÉE DÉMARRAGE	GRIFF STARTER	
29	6981116	4	SET VITERIA	SCREWS SET	SET VISSERIE	SATZ SCHRAUBEN	



528T

528

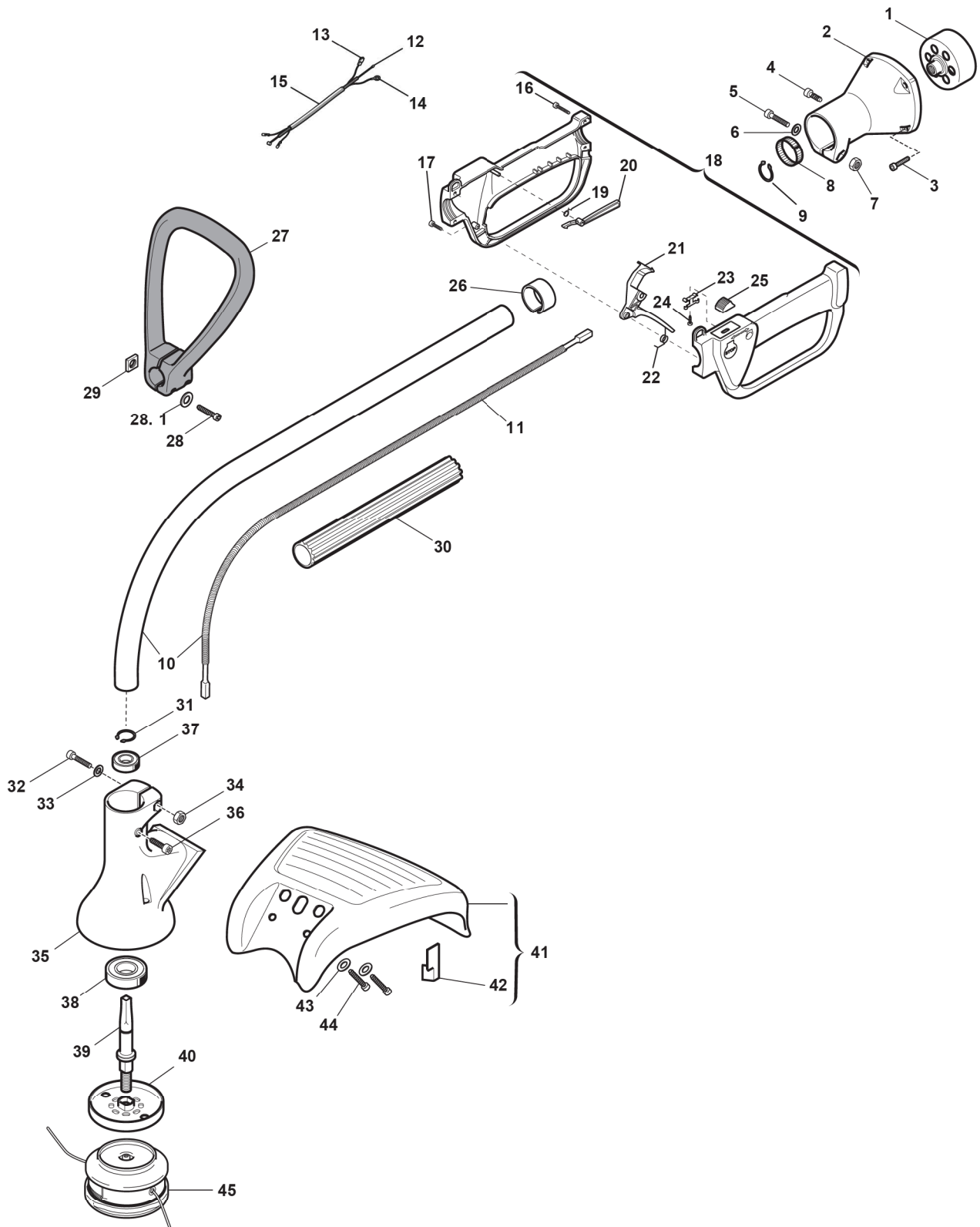
528D



2007

273.0

1 / 2





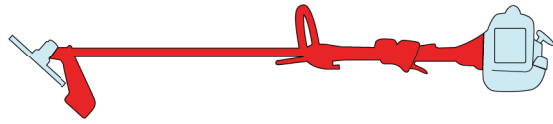
N.	CODE	Q.TY	DESCRIZIONE	DESCRIPTION	DESCRIPTION	BESCHREIBUNG	REMARKS
1	83050003/0	1	ASS. CAMPANA FRIZIONE	DRUM ASS'Y, CLUTCH	CLOCHE EMBRAYAGE	SET KUPPLUNGSGLOCKE	
2	23782004/0	1	ASS.SUPPORTO TRASM.	SUPPORT TRASM.ASSY	ENS.SUPPORT TRANSM.	GETRIEBEPLATTFORM	
3	2135160	4	VITE	SCREW	VIS	SCHRAUBE	
4	2123100	1	VITE	SCREW	VIS	SCHRAUBE	
5	2135150	1	VITE	SCREW	VIS	SCHRAUBE	
6	2312010	1	ROSETTA	WASHER	RONDELLE	SCHEIBE	
7	2412020	1	DADO	NUT	ECROU	MUTTER	
8	23655002/0	2	RIDUZIONE	REDUCTION	RÉDUCTION	REDUZIERSTÜCK	
9	12608600/0	1	ANELLO SEEGER	SNAP RING	CIRCLIPS	SEEGER-RING	
10	83869057/0	1	ASS.TUBO TRASM.	TRANS.PIPE ASSY	ENS.TUBE TRANSM.	SCHAFTGRUPPE	
11	23020008/0	1	ASS.ALBERO TRASM.	TRANS.SHAFT ASSY	ENS.ARBRE TRANSM.	SET MOTORWELLE	
12	4252540	1	CAVO ACCELERATORE	WIRE ASS.Y	CÂBLE ACCÉLÉR.	STARTERKABEL	
13	23065012/0	1	CAVO BOBINA-INTER- RUTTORE	COIL-SWITCH CABLE	CÂBLE BOBINE-INTER- RUPT.	SPULENDRAHT-SCHAL- TER	
14	23065013/0	1	CAVO MASSA	EARTH CABLE	CÂBLE MASSE	ERDUNGSKABEL	
15	3786030	1	GUAINA CAVI	WIRE SHEATH	GAINÉ CÂBLES	KABELMANTEL	
16	2123030	4	VITE	SCREW	VIS	SCHRAUBE	
17	2123100	2	VITE	SCREW	VIS	SCHRAUBE	
18	8562620/1	1	ASS. IMPUGNATURA POST.	HANDLE ASS.Y	ENS.POIGNÉE	SET HANDGRIFF HINTEN	
19	3654300	1	MOLLA LEVA DI SICU- REZZA	SPRING	RESSORT	FEDER SICHERHEITS- HEBEL	
20	3743475	1	LEVA DI SICUREZZA	SAFETY LEVER	LEVIER DE SÉCURITÉ	SICHERHEITSHEBEL	
21	3743465	1	LEVA ACCELERATORE	THROTTLE LEVER	LEVIER ACCÉLÉRATEUR	GASHEBEL	
22	3654270/1	1	MOLLA LEVA ACCELERA- TORE	SPRING	RESSORT	FEDER GASHEBEL	
23	3612710	1	LAMIERINO DI STOP	STOP PLATE	PLAQUE D'ARRÊT	STOP-PLÄTTCHEN	
24	2123070	1	VITE	SCREW	VIS	SCHRAUBE	
25	3749270	1	POMELLO DI STOP	STOP KNOB	BOUTON D'ARRÊT	STOP-SCHALTER	
26	3749920	2	RIDUZIONE	REDUCTION	RÉDUCTION	REDUZIERSTÜCK	
27	23300000/0	1	IMPUGNATURA ANTE- RIORE	FRONT HANDLE	POIGNÉE AVANT	HANDGRIFF VORNE	
28	2135050	2	VITE	SCREW	VIS	SCHRAUBE	
28,1	2312090	2	ROSETTA	WASHER	RONDELLE	SCHEIBE	
29	2461030	2	DADO	NUT	ECROU	MUTTER	
30	23170000/0	1	DISTANZIALE	SPACER	ENTRETOISE	THERMOISOLIERUNG	
31	12608600/0	1	ANELLO SEEGER	SNAP RING	CIRCLIPS	SEEGER-RING	
32	2135150	1	VITE	SCREW	VIS	SCHRAUBE	
33	2312010	1	ROSETTA	WASHER	RONDELLE	SCHEIBE	
34	2412020	1	DADO	NUT	ECROU	MUTTER	
35	23056302/0	1	CARTER TESTINA	GEAR CASE	CARTER BOÎTE ENGREN.	ZAHNRADGEHÄUSE	
36	2123100	1	VITE	SCREW	VIS	SCHRAUBE	
37	19216037/0	1	CUSCINETTO	BEARING	ROULEMENT	LAGER	
38	3112280	1	CUSCINETTO	BEARING	ROULEMENT	LAGER	
39	23020005/0	1	ALBERO TESTINA	HEAD SHAFT	ARBRE TÊTE	WELLENKOPF	
40	3614630	1	GHIERA SUPERIORE	UPPER RING NUT	BAGUE SUPÉRIEURE	OBERER RINGBOLZEN	
41	83465001/0	1	ASS. PARASPRUZZI	SAFETY COVER ASS.Y	ENS. CAPOT ANTI-PRO- JECTIONS	SET SPRITZSCHUTZ	
42	3614640	1	LAMIERINO TAGLIAFILO	LINE CUTTER	COUPE-FIL	DRAHTSCHERENBLECH	
43	2312150	2	ROSETTA	WASHER	RONDELLE	SCHEIBE	
44	2123030	2	VITE	SCREW	VIS	SCHRAUBE	
45	23155001/0	1	TESTINA 2 FILI TAP & GO	2 HEDGES NYLON HEAD	TÊTE À 2 FILS NYLON	2 DRAHTSCHEIBE	



528T

528

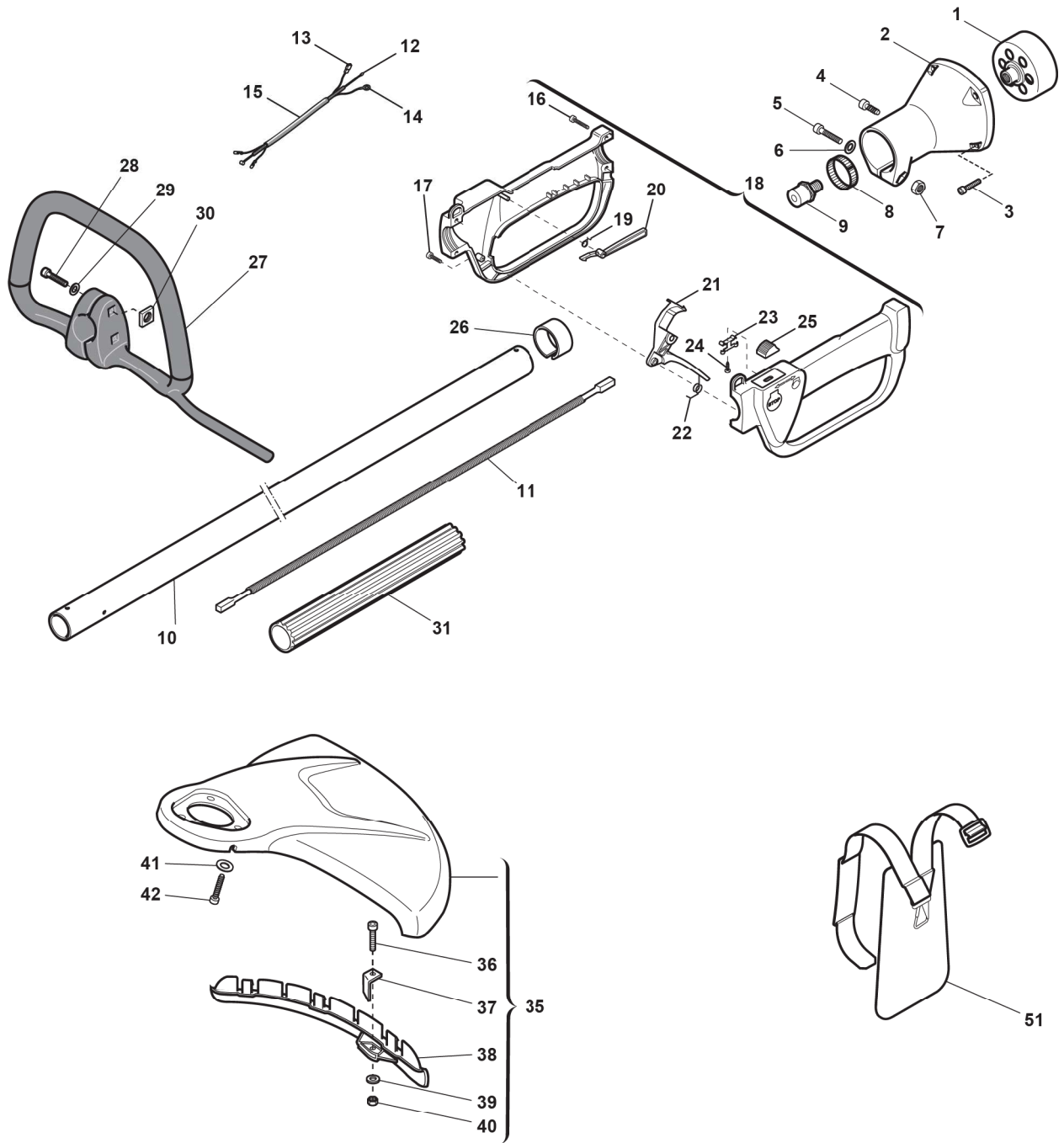
528D



2007

273a.0

1 / 2





N.	CODE	Q.TY	DESCRIZIONE	DESCRIPTION	DESCRIPTION	BESCHREIBUNG	REMARKS
1	83050004/0	1	ASS. CAMPANA FRIZIONE	DRUM ASS'Y, CLUTCH	CLOCHE EMBRAYAGE	SET KUPPLUNGSGLOCKE	
2	23782004/0	1	ASS.SUPPORTO TRASM.	SUPPORT TRASM.ASSY	ENS.SUPPORT TRANSM.	GETRIEBEPLATTFORM	
3	2135160	4	VITE	SCREW	VIS	SCHRAUBE	
4	2653090	1	VITE	SCREW	VIS	SCHRAUBE	
5	2135150	1	VITE	SCREW	VIS	SCHRAUBE	
6	2312010	1	RONDELLA	WASHER	RONDELLE	UNTERLEGSCHIEBE	
7	2412020	1	DADO	NUT	ECROU	MUTTER	
8	23655002/0	2	RIDUZIONE	REDUCTION	RÉDUCTION	REDUZIERSTÜCK	
9	23445258/0	1	MOZZO CUSCINETTO	BEARING HUB	MOYEU ROULEMENT	LAGERNABE	
10	83869052/0	1	ASS.TUBO TRASM.	TRANS.PIPE ASSY	ENS.TUBE TRANSM.	SCHAFTGRUPPE	
11	23020009/0	1	ASS.ALBERO TRASM.	TRANS.SHAFT ASSY	ENS.ARBRE TRANSM.	SET MOTORWELLE	
12	4252540	1	CAVO ACCELERATORE	WIRE ASS.Y	CÂBLE ACCÉLÉR.	STARTERKABEL	
13	23065012/0	1	CAVO BOBINA-INTER- RUTTORE	COIL-SWITCH CABLE	CÂBLE BOBINE-INTER- RUPT.	SPULENDRAHT-SCHAL- TER	
14	23065013/0	1	CAVO MASSA	EARTH CABLE	CÂBLE MASSE	ERDUNGSKABEL	
15	3786030	1	GUAINA CAVI	WIRE SHEATH	GAINÉ CÂBLES	KABELMANTEL	
16	2123030	4	VITE	SCREW	VIS	SCHRAUBE	
17	2123100	2	VITE	SCREW	VIS	SCHRAUBE	
18	8562620/1	1	ASS. IMPUGNATURA POST.	HANDLE ASS.Y	ENS.POIGNÉE	SET HANDGRIFF HINTEN	
19	3654300	1	MOLLA LEVA DI SICU- REZZA	SPRING	RESSORT	FEDER SICHERHEITS- HEBEL	
20	3743475	1	LEVA DI SICUREZZA	SAFETY LEVER	LEVIER DE SÉCURITÉ	SICHERHEITSHEBEL	
21	3743465	1	LEVA ACCELERATORE	THROTTLE LEVER	LEVIER ACCÉLÉRATEUR	GASHEBEL	
22	3654270/1	1	MOLLA LEVA ACCELERA- TORE	SPRING	RESSORT	FEDER GASHEBEL	
23	3612710	1	LAMIERINO DI STOP	STOP PLATE	PLAQUE D'ARRÊT	STOP-PLÄTTCHEN	
24	2123070	1	VITE	SCREW	VIS	SCHRAUBE	
25	3749270	1	POMELLO DI STOP	STOP KNOB	BOUTON D'ARRÊT	STOP-SCHALTER	
26	3749920	2	RIDUZIONE	REDUCTION	RÉDUCTION	REDUZIERSTÜCK	
27	23300001/0	1	IMPUGNATURA ANTE- RIORE	FRONT HANDLE	POIGNÉE AVANT	HANDGRIFF VORNE	
28	2135050	2	VITE	SCREW	VIS	SCHRAUBE	
29	2312090	2	RONDELLA	WASHER	RONDELLE	UNTERLEGSCHIEBE	
30	2461030	2	DADO	NUT	ECROU	MUTTER	
31	23170000/0	1	DISTANZIALE	SPACER	ENTRETOISE	THERMOISOLIERUNG	
35	83465003/0	1	ASS. PARASPRUZZI	SAFETY COVER ASS.Y	ENS. CAPOT ANTI-PRO- JECTIONS	SET SPRITZSCHUTZ	
36	2135030	1	VITE	SCREW	VIS	SCHRAUBE	
37	3615000	1	LAMIERINO TAGLIAFILO	LINE CUTTER	COUPE-FIL	DRAHTSCHERENBLECH	
38	23600051/0	1	PROTEZIONE	PROTECTION	PROTECTION	SCHUTZ	
39	2312150	1	RONDELLA	WASHER	RONDELLE	UNTERLEGSCHIEBE	
40	2432040	1	DADO	NUT	ECROU	MUTTER	
41	2312150	3	RONDELLA	WASHER	RONDELLE	UNTERLEGSCHIEBE	
42	2135180	3	VITE	SCREW	VIS	SCHRAUBE	
51	4253460	1	BRETELLA	HARNES	HARNAIS	GURTZEUG	



528T

528

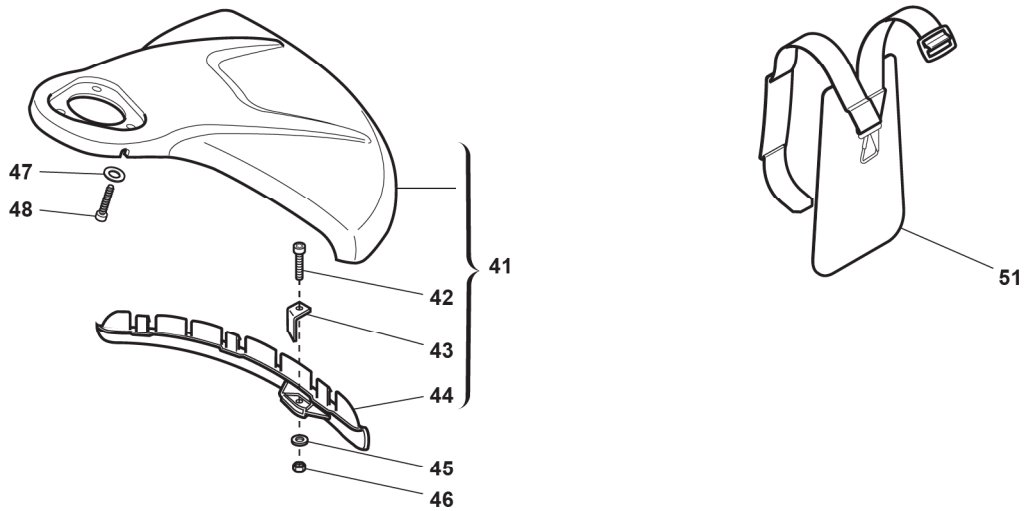
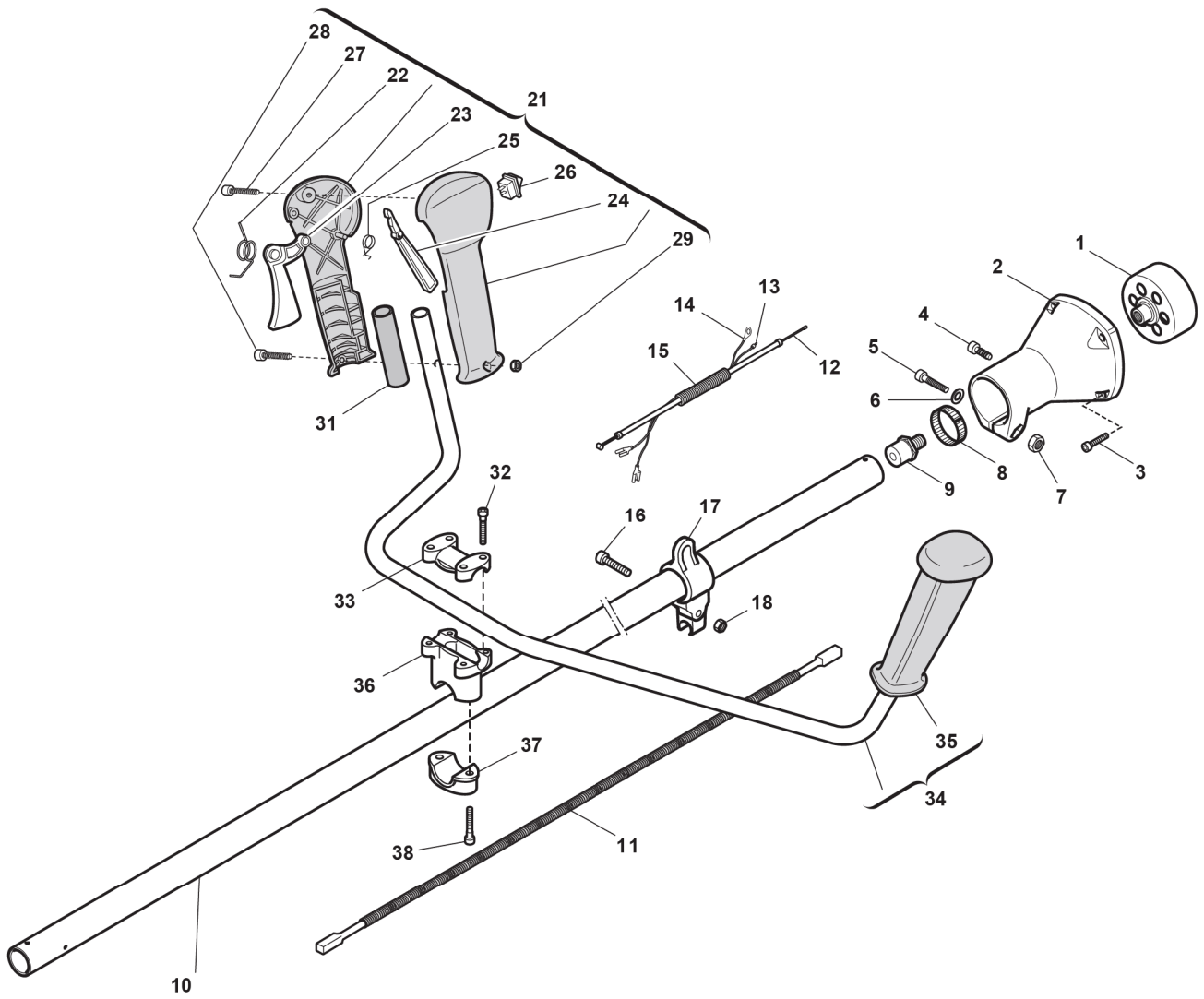
528D



2007

273b.0

1 / 2





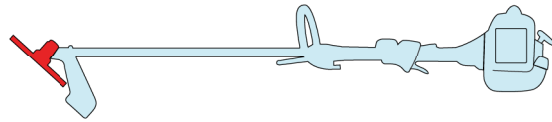
N.	CODE	Q.TY	DESCRIZIONE	DESCRIPTION	DESCRIPTION	BESCHREIBUNG	REMARKS
1	83050004/0	1	ASS. CAMPANA FRIZIONE	DRUM ASS'Y, CLUTCH	CLOCHE EMBRAYAGE	SET KUPPLUNGSGLOCKE	
2	23782004/0	1	ASS.SUPPORTO TRASM.	SUPPORT TRASM.ASSY	ENS.SUPPORT TRANSM.	GETRIEBEPLATTFORM	
3	2135160	4	VITE	SCREW	VIS	SCHRAUBE	
4	2653090	1	VITE	SCREW	VIS	SCHRAUBE	
5	2135150	1	VITE	SCREW	VIS	SCHRAUBE	
6	2312010	1	ROSETTA	WASHER	RONDELLE	SCHEIBE	
7	2412020	1	DADO	NUT	ECROU	MUTTER	
8	23655002/0	2	RIDUZIONE	REDUCTION	RÉDUCTION	REDUZIERSTÜCK	
9	23445258/0	1	MOZZO CUSCINETTO	BEARING HUB	MOYEU ROULEMENT	LAGERNABE	
10	83869052/0	1	ASS. TUBO TRASMISS.	TRASMISSION PIPE ASS.Y	ENS.TUBE TRANSM.	SET ROHR PULSE	
11	23020009/0	1	ASS. ALBERO TRASMISS- SIONE	TRANSMISSION SHAFT ASS.Y	ENS.ARBRE TRANSM.	SET ANTRIEBSWELLE	
12	4252720	1	CAVO ACCELERATORE	WIRE ASS.Y	CÂBLE ACCÉLÉR.	STARTERKABEL	
13	23065002/0	1	CAVO BOBINA-INTER- RUTTORE	COIL-SWITCH CABLE	CÂBLE BOBINE-INTER- RUPT.	SPULENDRAHT-SCHAL- TER	
14	23065015/0	1	CAVO MASSA	EARTH CABLE	CÂBLE MASSE	ERDUNGSKABEL	
15	3786240	1	GUAINA CAVI	WIRE SHEATH	GAINÉ CÂBLES	KABELMANTEL	
16	2135040	1	VITE	SCREW	VIS	SCHRAUBE	
17	23780000/0	1	SUPPORTO BRETELLE	HARNESSE SUPPORT	SUPPORT HARNAIS	GURTZEUGHALTER	
18	2412030	1	DADO	NUT	ECROU	MUTTER	
21	8563830	1	ASS. IMPUGNATURA	HANDLE ASS.Y	ENS.POIGNÉE	SET HANDGRIFF	
22	3654270/1	1	LEVA ACCELERATORE	THROTTLE LEVER	LEVIER ACCÉLÉRATEUR	GASHEBEL	
23	3743431/1	1	MOLLA LEVA ACCELE- TORE	SPRING	RESSORT	FEDER GASHEBEL	
24	3743441	1	LEVA DI SICUREZZA	SAFETY LEVER	LEVIER DE SÉCURITÉ	SICHERHEITSHEBEL	
25	3654280/1	1	MOLLA LEVA DI SICU- REZZA	SPRING	RESSORT	FEDER SICHERHEITS- HEBEL	
26	3210970	1	INTERRUTTORE STOP	STOP SWITCH	INTERRUPTEUR D'ARRÊT	STOP-SCHALTER	
27	2123030	1	VITE	SCREW	VIS	SCHRAUBE	
28	2135050	1	VITE	SCREW	VIS	SCHRAUBE	
29	12154330/0	1	DADO	NUT	ECROU	MUTTER	
31	23655001/0	1	RIDUZIONE	REDUCTION	RÉDUCTION	REDUZIERSTÜCK	
32	2135060	4	VITE	SCREW	VIS	SCHRAUBE	
33	4541500/1	1	SUPPORTO MANUBRIO SUP.	UPPER HANDGRIP SUP- PORT	SUPPORT GUIDON SUP.	HANDGRIFFHALTER UNTERTEIL	
34	83394003/0	1	ASS. MANUBRIO	HANDLE ASS.Y	ENS. GUIDON	SET HANDGRIFF	
35	23395050/0	1	IMPUGNATURA SINISTRA	LEFT HANDLE	POIGNÉE GAUCHE	HANDGRIFF LINKS	
36	4541490/1	1	SUPPORTO MANUBRIO	HANDLE SUPPORT	SUPPORT GUIDON	HANDGRIFFHALTER	
37	4541510	1	ASS.SUPPORTO MANU- BRIO INF.	LOWER HANDGRIP SUP- PORT	SUPPORT GUIDON INF.	HANDGRIFFHALTER OBERTEIL	
38	2135050	2	VITE	SCREW	VIS	SCHRAUBE	
41	83465003/0	1	ASS. PARASPRUZZI	SAFETY COVER ASS.Y	ENS. CAPOT ANTI-PRO- JECTIONS	SET SPRITZSCHUTZ	
42	2135030	1	VITE	SCREW	VIS	SCHRAUBE	
43	3615000	1	LAMIERINO TAGLIAFILO	LINE CUTTER	COUPE-FIL	DRAHTSCHERENBLECH	
44	23600051/0	1	PROTEZIONE	PROTECTION	PROTECTION	SCHUTZ	
45	2312150	1	ROSETTA	WASHER	RONDELLE	SCHEIBE	
46	2432040	1	DADO	NUT	ECROU	MUTTER	
47	2312150	3	ROSETTA	WASHER	RONDELLE	SCHEIBE	
48	2135180	3	VITE	SCREW	VIS	SCHRAUBE	
51	4253460	1	BRETELLA	HARNESSE	HARNAIS	GURTZEUG	



528T

528

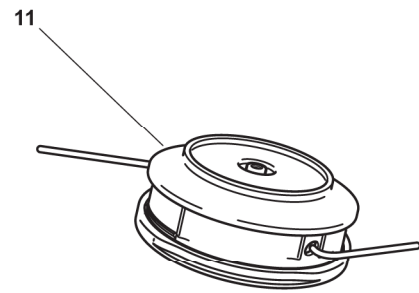
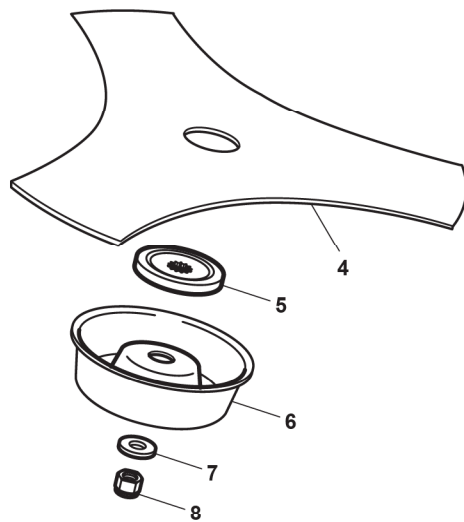
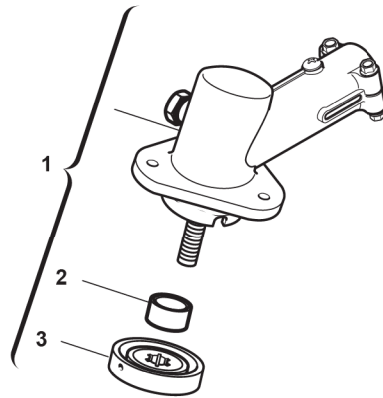
528D



2007

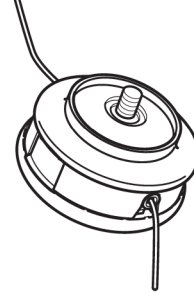
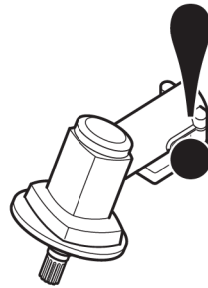
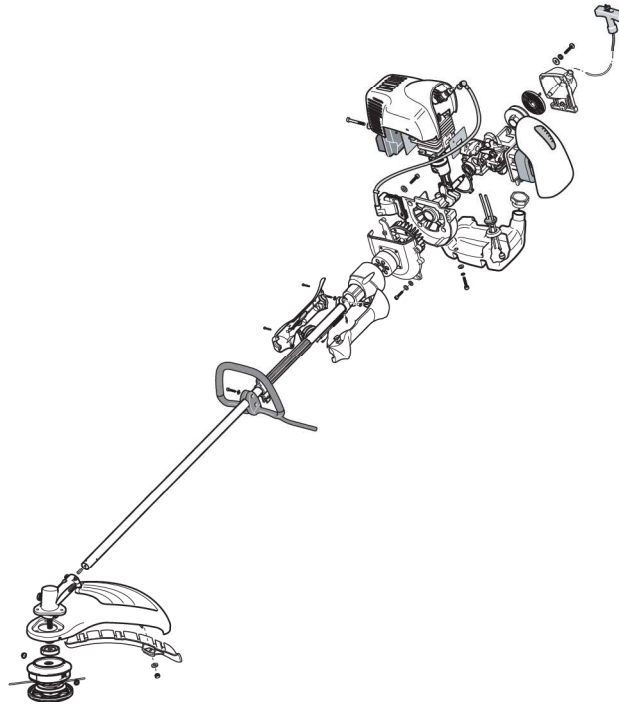
274.0

1 / 1



N.	CODE	Q.TY	DESCRIZIONE	DESCRIPTION	DESCRIPTION	BESCHREIBUNG	REMARKS
1	23820000/0	1	ASS.TESTINA	GEAR CASE ASSY	ENS. BOÎTE ENGREN.	SET ZAHNRADGETRIEBE	
2	6980307	1	COLLARE	COLLAR	COLLIER	STELLRING	
3	6980338	1	GHIERA SUPERIORE	UPPER RING NUT	BAGUE SUPÉRIEURE	OBERER RINGBOLZEN	
4	6031172	1	DISCO 3 PUNTE 25 CM	3 TEETH DISC 25 CM	LAME À 3 DENTS 25 CM	SCHEIBE / 3 ZÄHNE 25 CM	
5	3612650	1	GHIERA INFERIORE	LOWER RING NUT	BAGUE INFÉRIEURE	UNTERER RINGBOLZEN	
6	3615300	1	COPPA FISSA	STABILIZER	STABILISATEUR	STABILISATOR	
7	2321060	1	ROSETTA	WASHER	RONDELLE	SCHEIBE	
8	2452090	1	DADO	NUT	ECROU	MUTTER	
11	23155000/0	1	TESTINA 2 FILI TAP & GO	2 HEDGES NYLON HEAD	TÊTE À 2 FILS NYLON	2 DRAHTSCHEIBE	





USARE SOLO RICAMBI ORIGINALI!
USE ONLY GENUINE SPARE PARTS!
UTILISER DES PIÈCES DE RECHANGE D'ORIGINE!
NUR ORIGINALERSATZTEILE VERWENDEN!