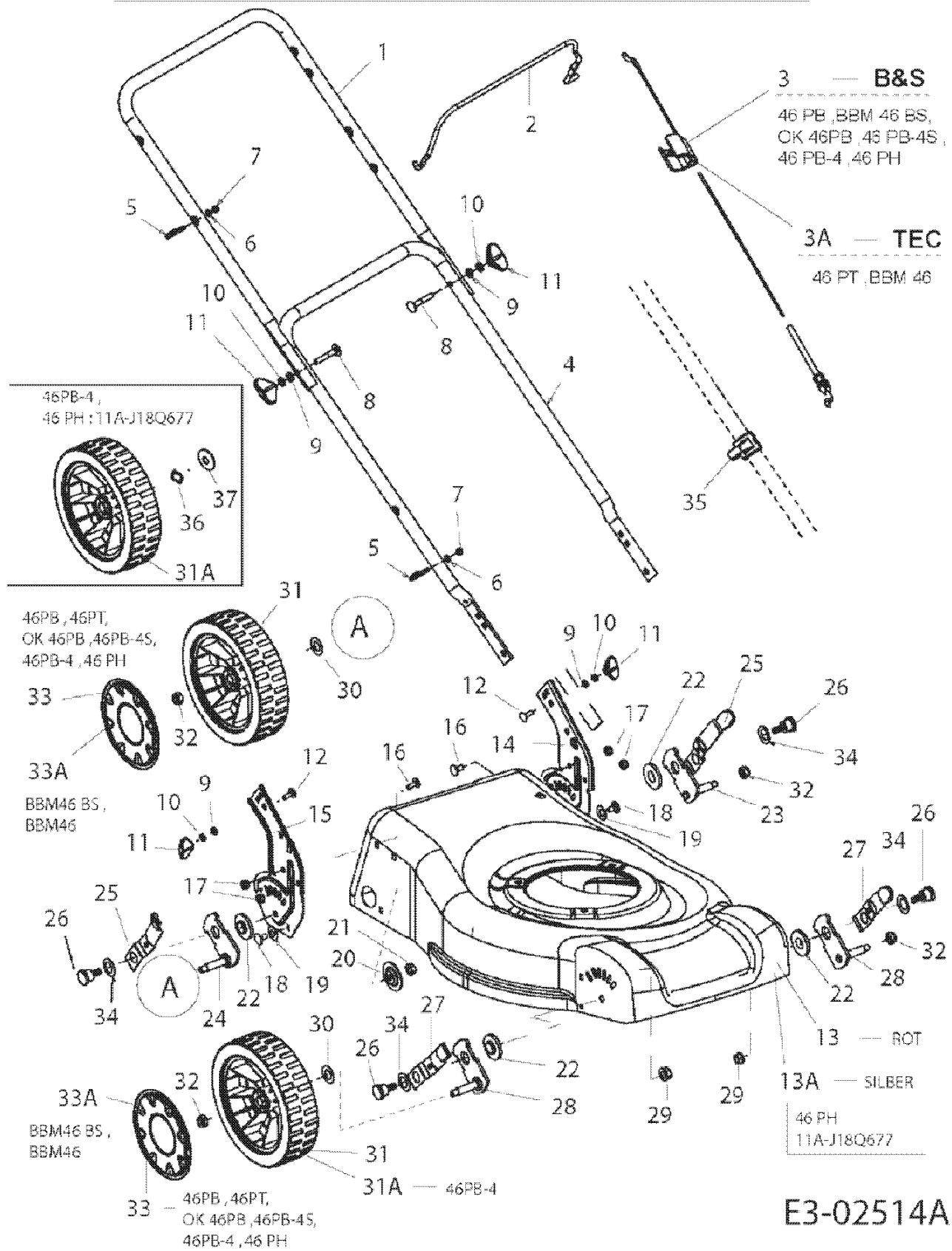
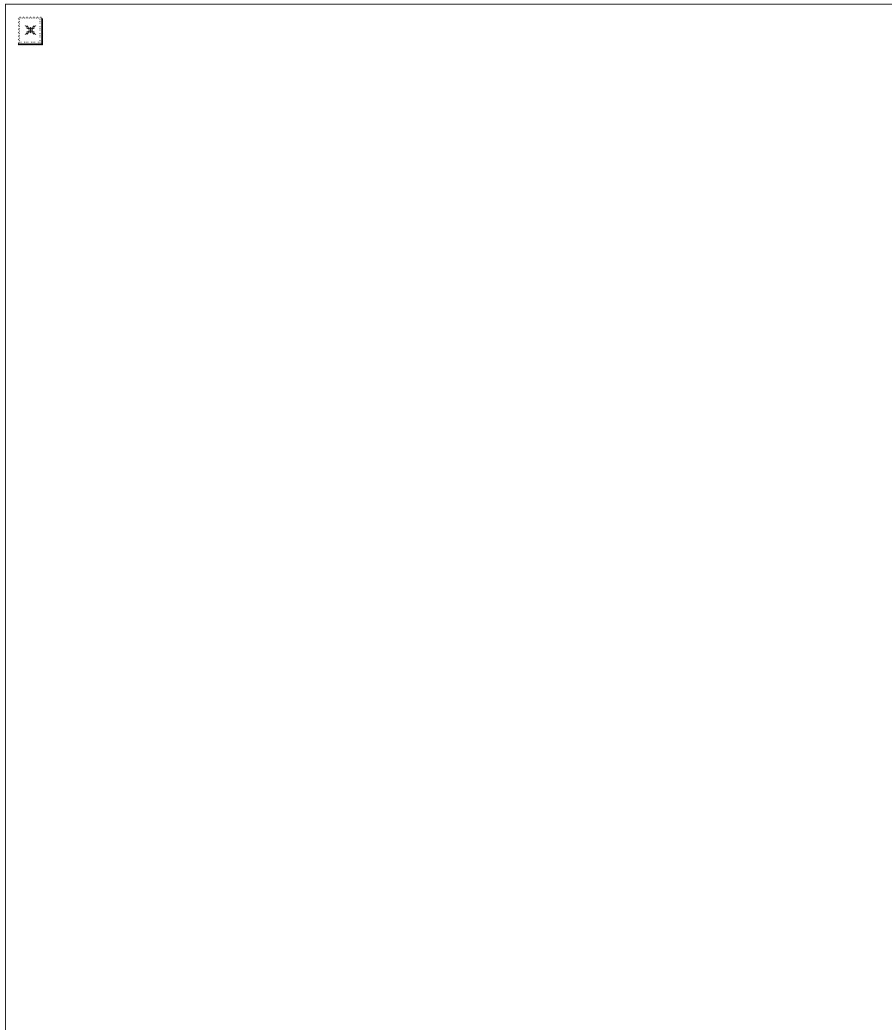


|           |             |          |             |
|-----------|-------------|----------|-------------|
| 46 PB     | 11A-J10G600 | 46 PB-4S | 11A-J14J676 |
| 46 PT     | 11A-J11A600 | 46 PB-4  | 11A-J14M676 |
| BBM 46 BS | 11A-J10G619 | 46 PH    | 11A-J18Q676 |
| BBM 46    | 11A-J11A619 | 46 PH    | 11A-J18Q677 |
| OK 46 PB  | 11A-J10G667 |          |             |



## Gehäuse,Holm,Räder

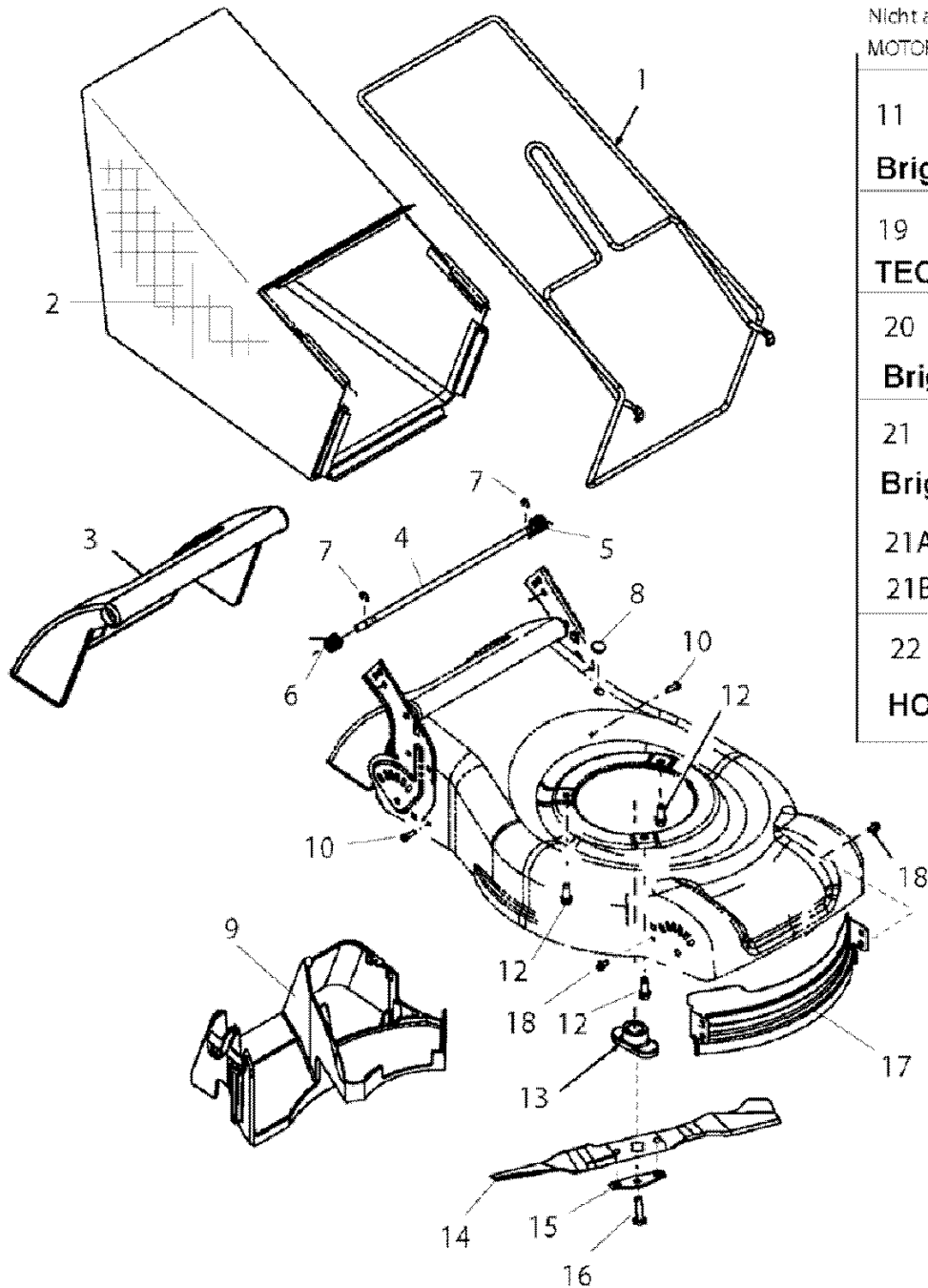


| Position | Teilenummer | Menge | Benennung                        | DIN                                 | Zusatztext |
|----------|-------------|-------|----------------------------------|-------------------------------------|------------|
| 19       | 736-0758    | 2     | TELLERFEDER DIN 2093             | B25 GRUPPE 1<br>VERZ.<br>28.7112.11 |            |
| 8        | 710-1719    | 2     | FLACHRUNDSCHRAUBE DIN<br>603-8.8 | M8x50 ZN 5glcB<br>22.3419.32        |            |
| 28       | 687-02123   | 2     |                                  | 687-02123                           |            |
| 6        | 736-0668    | 2     | SCHEIBE A 6,4 DIN 125-St         | Zn 5glcB<br>24.6481.14              |            |
| 23       | 687-02127   | 1     |                                  | 687-02127                           |            |
| 20       | 787-01275   | 2     |                                  | FINISH:701-<br>010000               |            |
| 27       | 687-02051   | 2     |                                  |                                     |            |
| 30       | 736-3013    | 4     | UNTERLAGSCHEIBE                  | FINISH:701-<br>01000                |            |

|     |              |   |                                  |                                     |  |
|-----|--------------|---|----------------------------------|-------------------------------------|--|
| 35  | 731-2422     | 1 | KABELFÜHRUNG<br>NACHARBEIT       |                                     |  |
| 25  | 687-02124    | 2 |                                  | J-DECK                              |  |
| 5   | 782-7627A    | 2 |                                  | GELBVERZINKT<br>000.02.621          |  |
| 37  | 736-0331     | 4 | TELLERFEDER .39x1.13x.062        | FINISH:701-<br>01001                |  |
| 1   | 749-04181    | 1 |                                  | 749-04181                           |  |
| 17  | 712-0692     | 6 | SICHERUNGSMUTTER M8<br>DIN 985-8 | M8 ZN5GL CB<br>24.1426.18           |  |
| 34  | 736-0741     | 4 | FEDERSCHEIBE                     | FINISH:701-<br>01001                |  |
| 3   | 746-04209    | 1 |                                  | J/I/B&S/HONDA<br>PUSH               |  |
| 24  | 687-02138    | 1 |                                  | 687-02138                           |  |
| 7   | 712-0691     | 2 | SICHERUNGSMUTTER M6<br>DIN 985-8 | M6 Zn 5glcB<br>24.1426.14           |  |
| 13  | 787-01209638 | 1 |                                  | 787-01209638                        |  |
| 11  | 720-0368     | 4 |                                  | (000.02.377)<br>schwarz             |  |
| 18  | 710-1780     | 2 |                                  | VERZINKT<br>22.3419.24              |  |
| 26  | 738-1172     | 4 |                                  |                                     |  |
| 21  | 712-0431     | 2 | S-MUTTER 3/8-16:GRF:TOP<br>LK    | FINISH:701-<br>01000                |  |
| 29  | 712-0431     | 2 | S-MUTTER 3/8-16:GRF:TOP<br>LK    | FINISH:701-<br>01000                |  |
| 33A | 731-05243    | 4 |                                  | VERKEHRSROT<br>RAL 3020             |  |
| 13A | 787-01209629 | 1 |                                  |                                     |  |
| 12  | 710-04451    | 2 |                                  | M8X25<br>VERZINKT<br>24.3419.26 8.8 |  |
| 31A | 734-04175    | 4 |                                  | SCHWARZ                             |  |
| 3A  | 746-04211    | 1 |                                  | J/I-DECK<br>TECUMSEH<br>PUSH        |  |
| 31  | 734-04149    | 4 |                                  | 734-04149                           |  |
| 4   | 749-04180    | 1 |                                  | 749-04180                           |  |
| 16  | 710-04217    | 4 |                                  | 710-04217                           |  |
| 10  | 736-0689     | 4 | FAECHERSCHEIBE DIN 6798          | A 8,4 Zn 5glcB<br>24.8191.18        |  |
| 14  | 787-01220637 | 1 |                                  | 787-01220637                        |  |
| 32  | 712-04074    | 4 |                                  | M10X1,25 8                          |  |
| 9   | 736-0700     | 4 | SCHEIBE DIN 125                  | Zn5glcB<br>24.6481.18               |  |
| 15  | 787-01221637 | 1 |                                  | 787-01221637                        |  |
| 2   | 747-04338    | 1 |                                  | FINISH:FARBE<br>SCHWARZ             |  |
| 22  | 741-0751     | 4 | LAGERBÜCHSE                      | 741-0751                            |  |

|    |           |   |               |                         |  |
|----|-----------|---|---------------|-------------------------|--|
| 33 | 731-05244 | 4 |               | OHNE LOGO<br>OYSTERGREY |  |
| 36 | 736-0504  | 4 | WELLENSCHEIBE | 736-0504                |  |

|           |             |          |             |
|-----------|-------------|----------|-------------|
| 46 PB     | 11A-J10G600 | 46 PB-4S | 11A-J14J676 |
| 46 PT     | 11A-J11A600 | 46 PB-4  | 11A-J14M676 |
| BBM 46 BS | 11A-J10G619 | 46 PH    | 11A-J18Q676 |
| BBM 46    | 11A-J11A619 | 46 PH    | 11A-J18Q677 |
| OK 46 PB  | 11A-J10G667 |          |             |



Nicht abgebildet / not shown  
MOTOR / ENGINE / MOTEUR

11 46 PB, BBM 46 BS,  
OK46 PB

**Briggs & Stratton**

19 46 PT, BBM 46

**TEC**

20 46 PB-4S

**Briggs & Stratton**

21 46 PB-4

**Briggs & Stratton**

21A Motorabdeckung

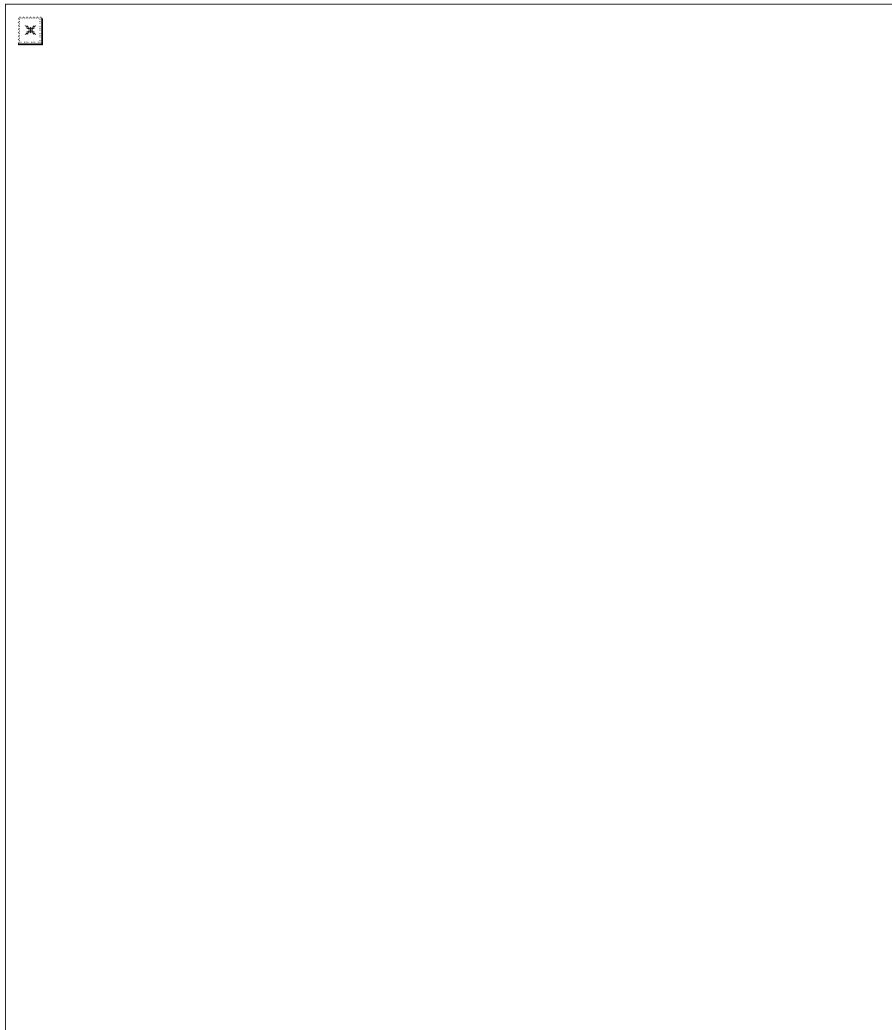
21B Schraube

22 46 PH

**HONDA**

E3-02515A

## Motor, Messer, Grasfangsack



| Position | Teilenummer | Menge | Benennung                     | DIN                             | Zusat |
|----------|-------------|-------|-------------------------------|---------------------------------|-------|
| 16       | 710-1044    | 1     | SCHRAUBE 3/8-24:1.50:GR8:SPEC | FINISH:SIEHE ZG.                |       |
| 2        | 764-04035   | 1     |                               | SOFT BAG                        |       |
| 21       | 752B2004B1  | 1     |                               | 10A902-2004-B1/752B2004B1       |       |
| 21A      | 731-1587A   | 1     | MOTORABDECKUNG SCHWARZ        | 731-1587A                       |       |
| 5        | 732-04243   | 1     |                               | 732-04243                       |       |
| 10       | 710-1704    | 2     | TORX-SCHRAUBE 6X20 WN 1452    | WEISS VERZ. 16553620/000.02.493 |       |
| 4        | 711-04341   | 1     |                               | FINISH:701-01000                |       |
| 18       | 710-04203A  | 2     |                               | DIN 7500                        |       |
| 9        | 731-05235   | 1     |                               | FINISH:FARBE SCHWARZ            |       |
| 6        | 732-04244   | 1     |                               | 732-04244                       |       |

|     |            |   |                               |                                |  |
|-----|------------|---|-------------------------------|--------------------------------|--|
| 12  | 710-0654A  | 3 | SKT-SCHR.:TTSEMS:3/8-16:1.000 | HXLWSH FINISH:701-01002        |  |
| 17  | 787-01214  | 1 |                               | FINISH:PAINT                   |  |
| 1   | 647-04043  | 1 |                               | FINISH:SCHWARZ 788-0637        |  |
| 7   | 716-04050  | 2 |                               | DIN 6799 FINISH:PHOS & OIL     |  |
| 15  | 736-0524B  | 1 |                               |                                |  |
| 22  | 752H638591 | 1 |                               | OHC - BLACK SHROUD/752H638591  |  |
| 19  | 752T45010  | 1 |                               | BLACK/FIX/KW1/w/BERÜHRUNGSSCH. |  |
| 20  | 752B0251B1 | 1 | B-MOTOR B&S SPRINT 4 HP R5    | 10F902-0251-B1                 |  |
| 14  | 742-0738   | 1 | MULCHMESSER 18"               | 742-0738/942-0738 ( MULCH )    |  |
| 21B | 710-1184   | 2 | SCHRAUBE: #10-32:2.000:PANPHI | 710-1184                       |  |
| 11  | 752B2018B1 | 1 |                               | 09D902-2018-B1                 |  |
| 8   | 731-04660  | 1 |                               | SCHWARZ                        |  |
| 13  | 748-0376C  | 1 | MESSERMITNEHMER               | MIT STERN                      |  |
| 3   | 731-05000  | 1 |                               | FINISH:SCHWARZ                 |  |